



US00D876986S

(12) **United States Design Patent**  
**Larsen**

(10) **Patent No.:** **US D876,986 S**  
(45) **Date of Patent:** **\*\* Mar. 3, 2020**

(54) **PLANTER WITH INDICATOR SHELF**

(71) Applicant: **Dotchi, LLC**, Miami, FL (US)

(72) Inventor: **Lars Holme Larsen**, Copenhagen (DK)

(\*\*) Term: **15 Years**

(21) Appl. No.: **29/592,081**

(22) Filed: **Jan. 26, 2017**

(51) **LOC (12) Cl.** ..... **11-02**

(52) **U.S. Cl.**

USPC ..... **D11/164**

(58) **Field of Classification Search**

USPC ..... D11/144–156, 164; D12/192, 415, 110,  
D12/114; D10/46, 98, 102, 103, 122,  
D10/126

CPC ..... A01G 27/02; A01G 27/008; B60K 37/02  
See application file for complete search history.

(56) **References Cited**

**U.S. PATENT DOCUMENTS**

D151,959 S \* 12/1948 Bowers ..... D10/53  
D195,783 S \* 7/1963 Woods, Jr. .... D10/102

(Continued)

**FOREIGN PATENT DOCUMENTS**

CN 2031197 U 1/1989  
DE 20 2006 000 586 U1 5/2006

(Continued)

**OTHER PUBLICATIONS**

TruDrop Self Watering Containers! (via YouTube), available May 29, 2017, [online], [site visited Mar. 17, 2019]. Video available from internet, <URL: [https://www.youtube.com/watch?v=1V\\_rdGndj3k](https://www.youtube.com/watch?v=1V_rdGndj3k) (Year: 2017).\*

(Continued)

*Primary Examiner* — Cathron C Brooks

*Assistant Examiner* — W. A. Teddy Falloway

(74) *Attorney, Agent, or Firm* — Cozen O'Connor

(57) **CLAIM**

I claim the ornamental design for a planter with indicator shelf, as shown and described.

**DESCRIPTION**

FIG. 1 illustrates a top perspective view of the planter with indicator shelf shown in FIG. 1.

FIG. 2 illustrates a side view of the planter with indicator shelf shown in FIG. 1.

FIG. 3 illustrates a side view of the planter with indicator shelf shown in FIG. 1.

FIG. 4 illustrates a side view of the planter with indicator shelf shown in FIG. 1.

FIG. 5 illustrates a top view of the planter with indicator shelf shown in FIG. 1.

FIG. 6 illustrates a bottom view of the planter with indicator shelf shown in FIG. 1.

FIG. 7 illustrates another top perspective view of the planter with indicator shelf.

FIG. 8 illustrates a side view of the planter with indicator shelf shown in FIG. 7.

FIG. 9 illustrates a side view of the planter with indicator shelf shown in FIG. 7.

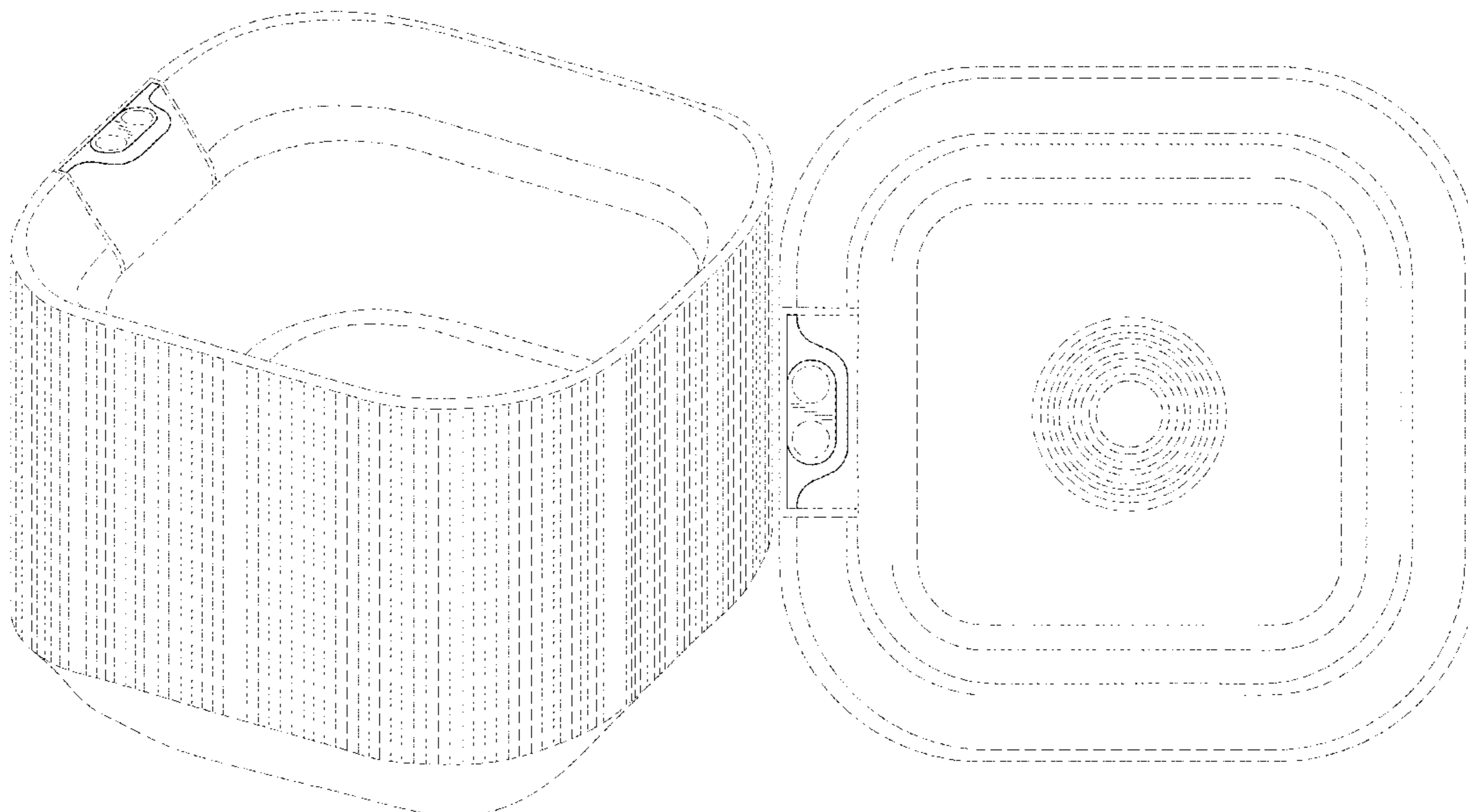
FIG. 10 illustrates a side view of the planter with indicator shelf shown in FIG. 7.

FIG. 11 illustrates a bottom view of the planter with indicator shelf shown in FIG. 7; and,

FIG. 12 illustrates a top view of the planter with indicator shelf shown in FIG. 7.

The broken lines define environmental structure or boundaries that form no part of the design to be patented.

**1 Claim, 12 Drawing Sheets**





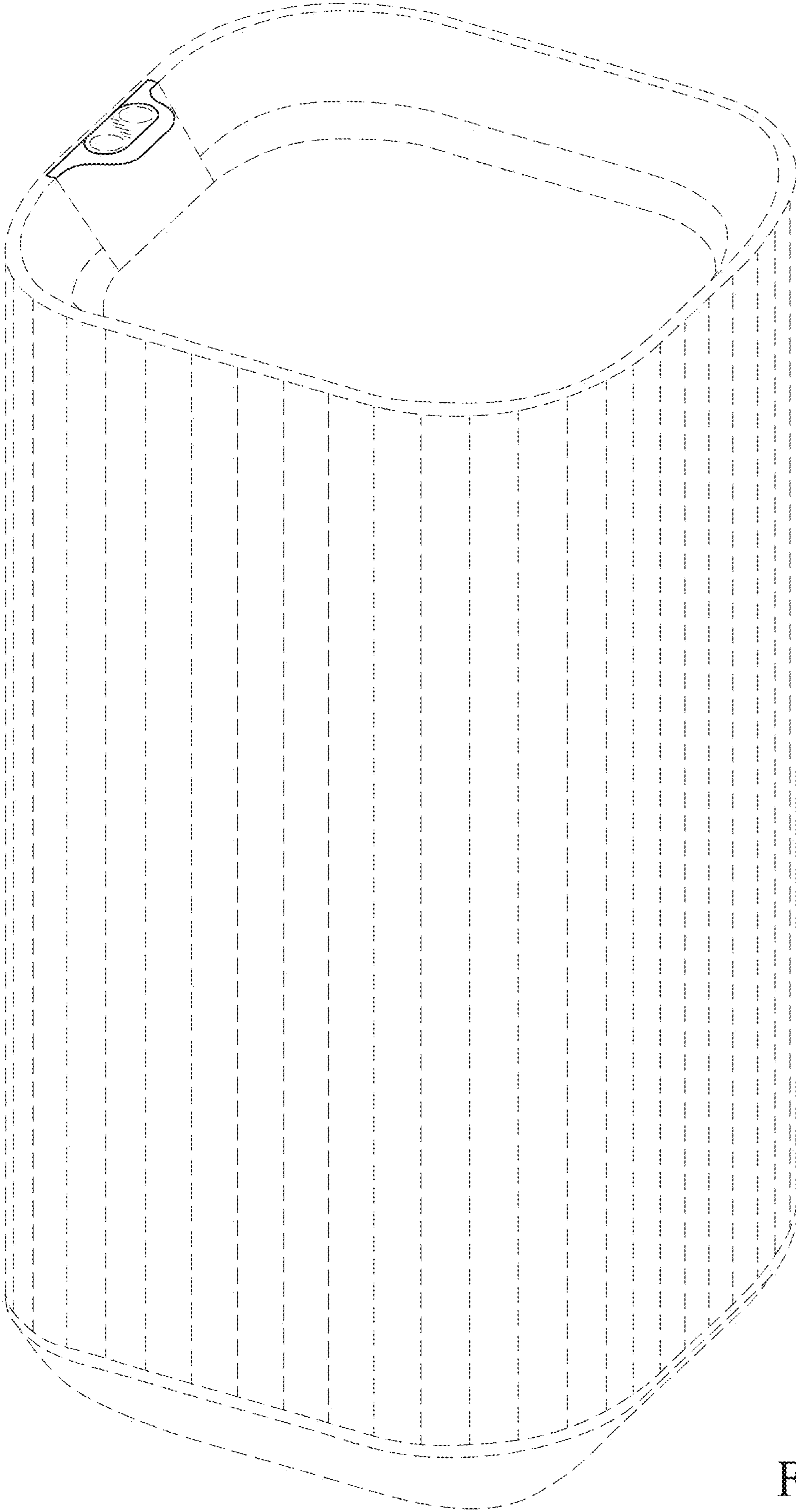


FIG. 1

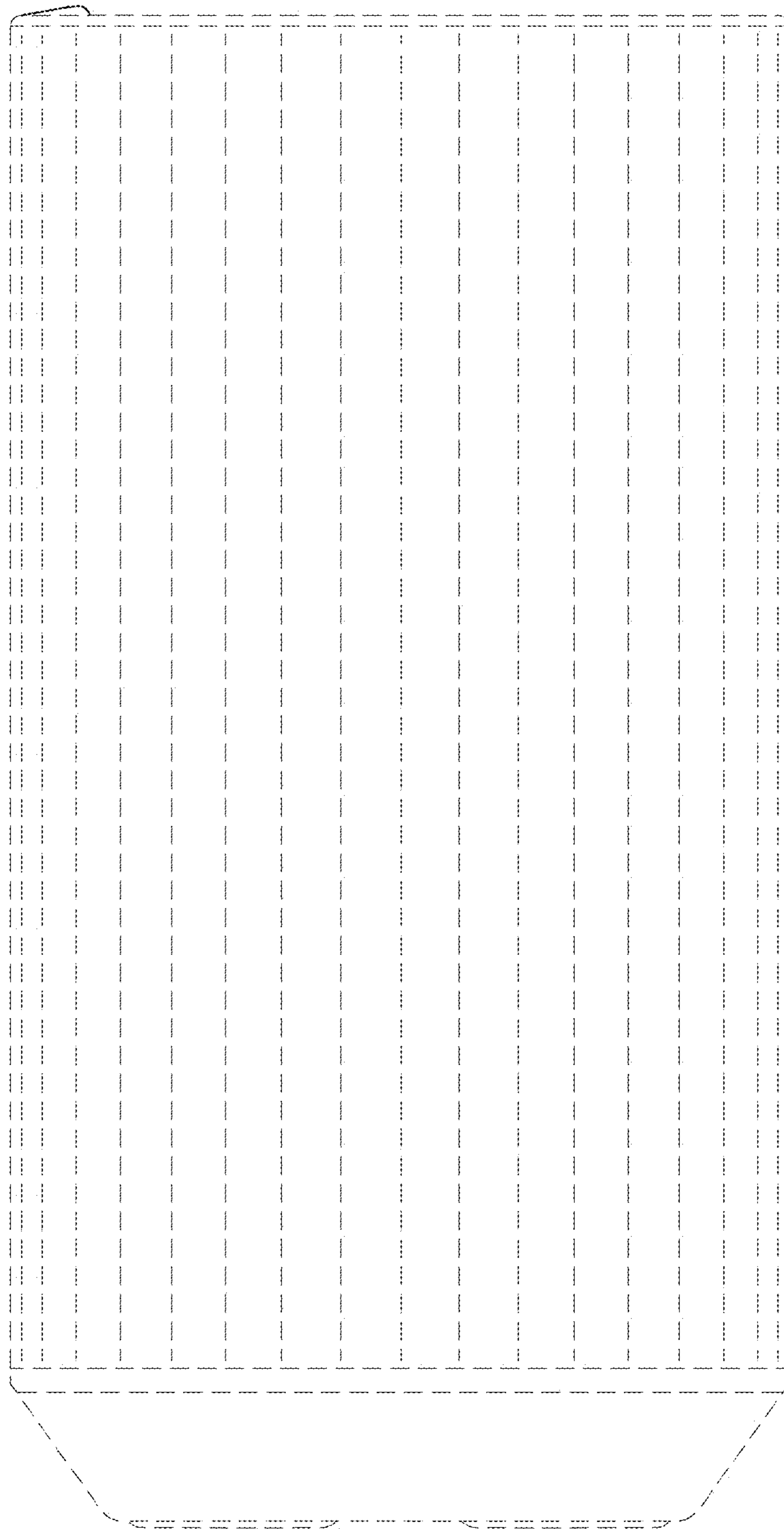


FIG. 2

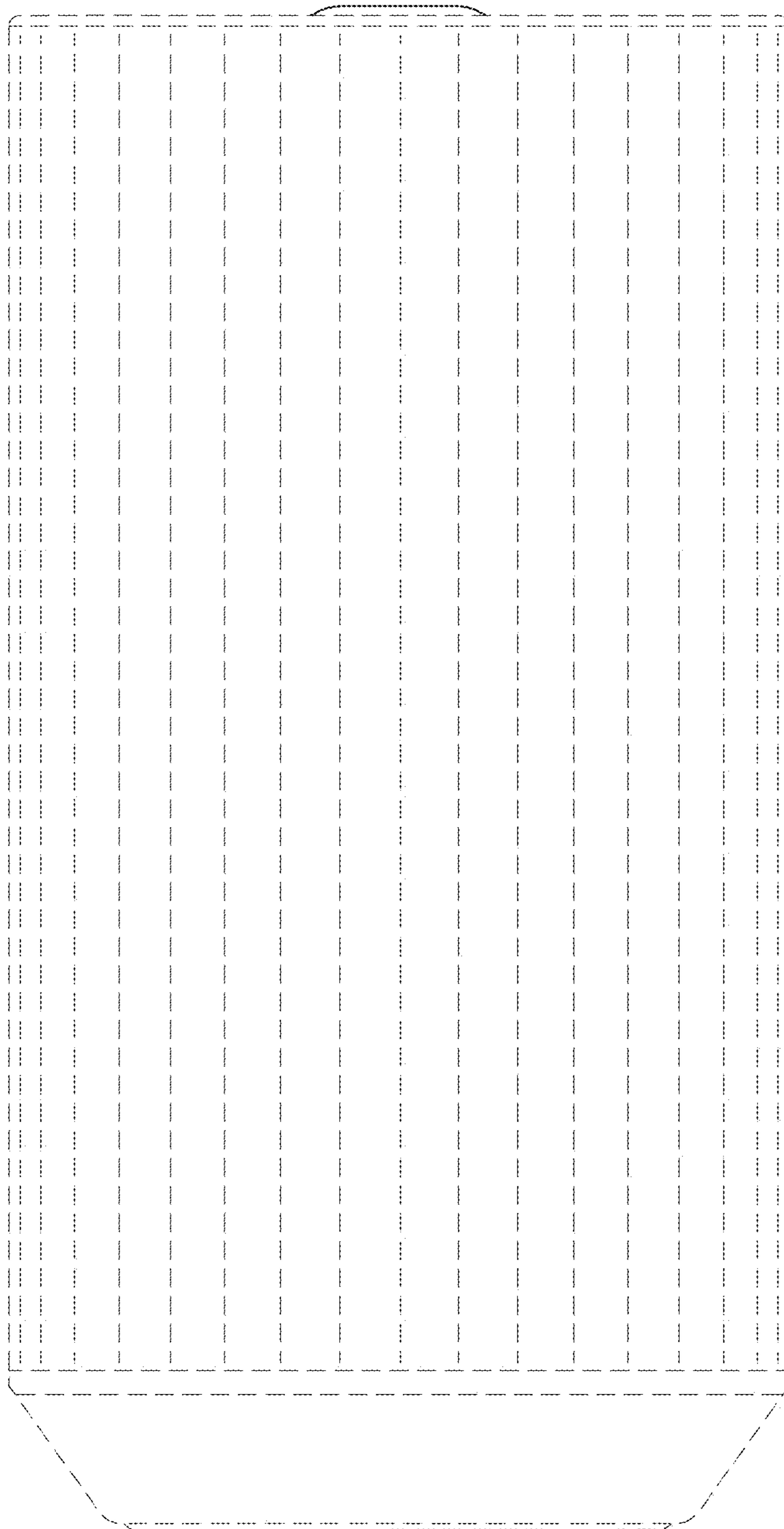


FIG. 3

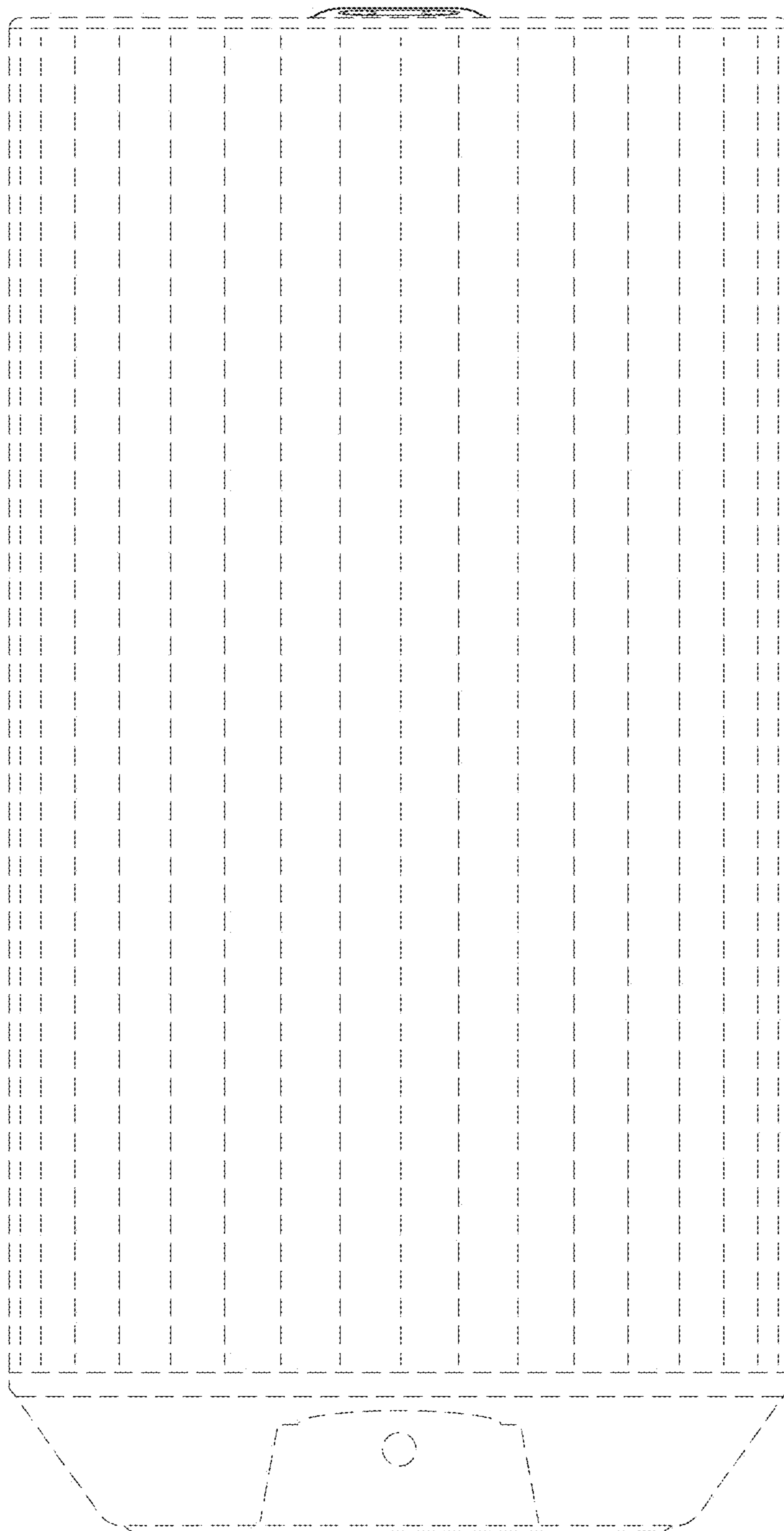


FIG. 4

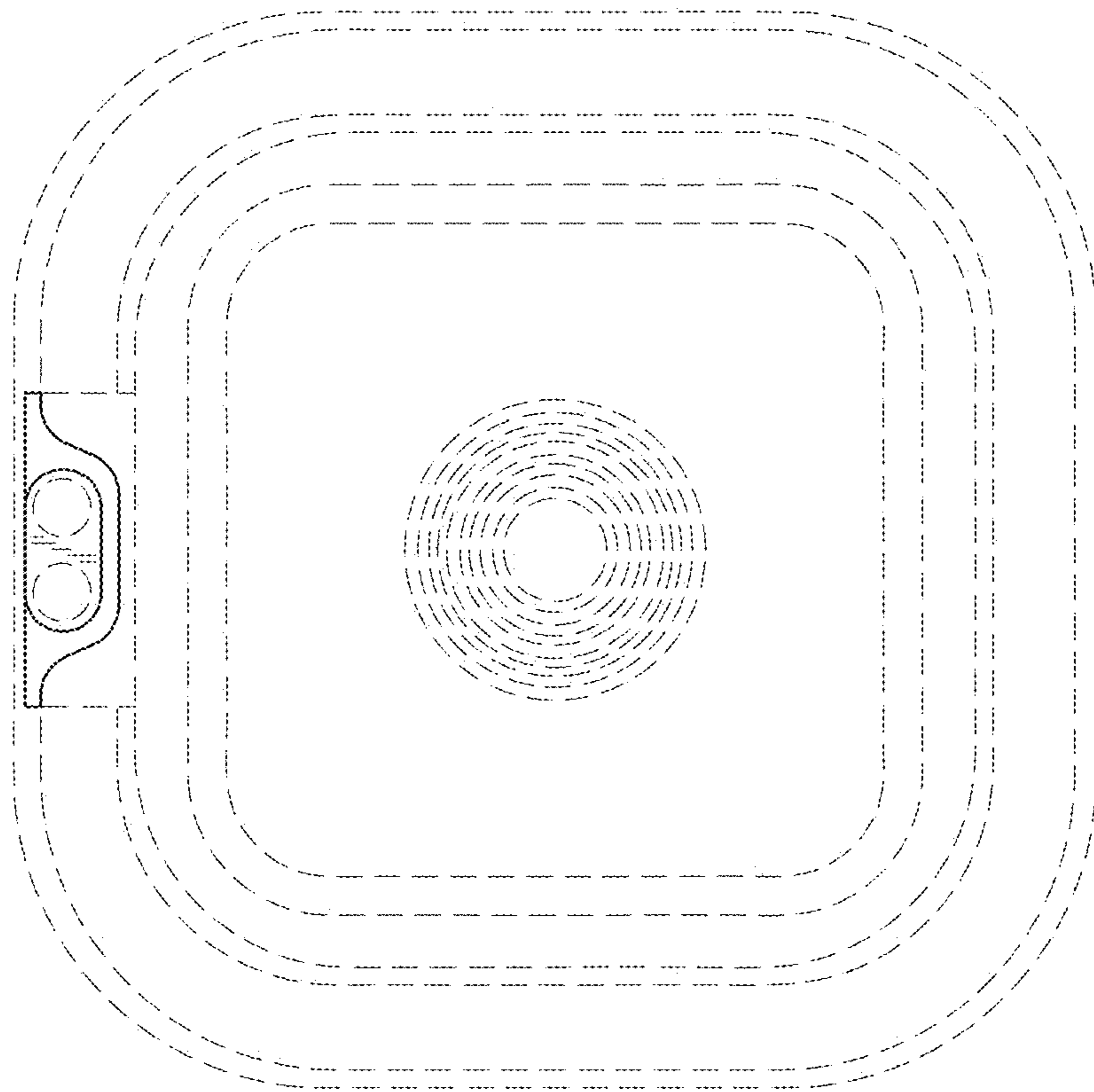


FIG. 5

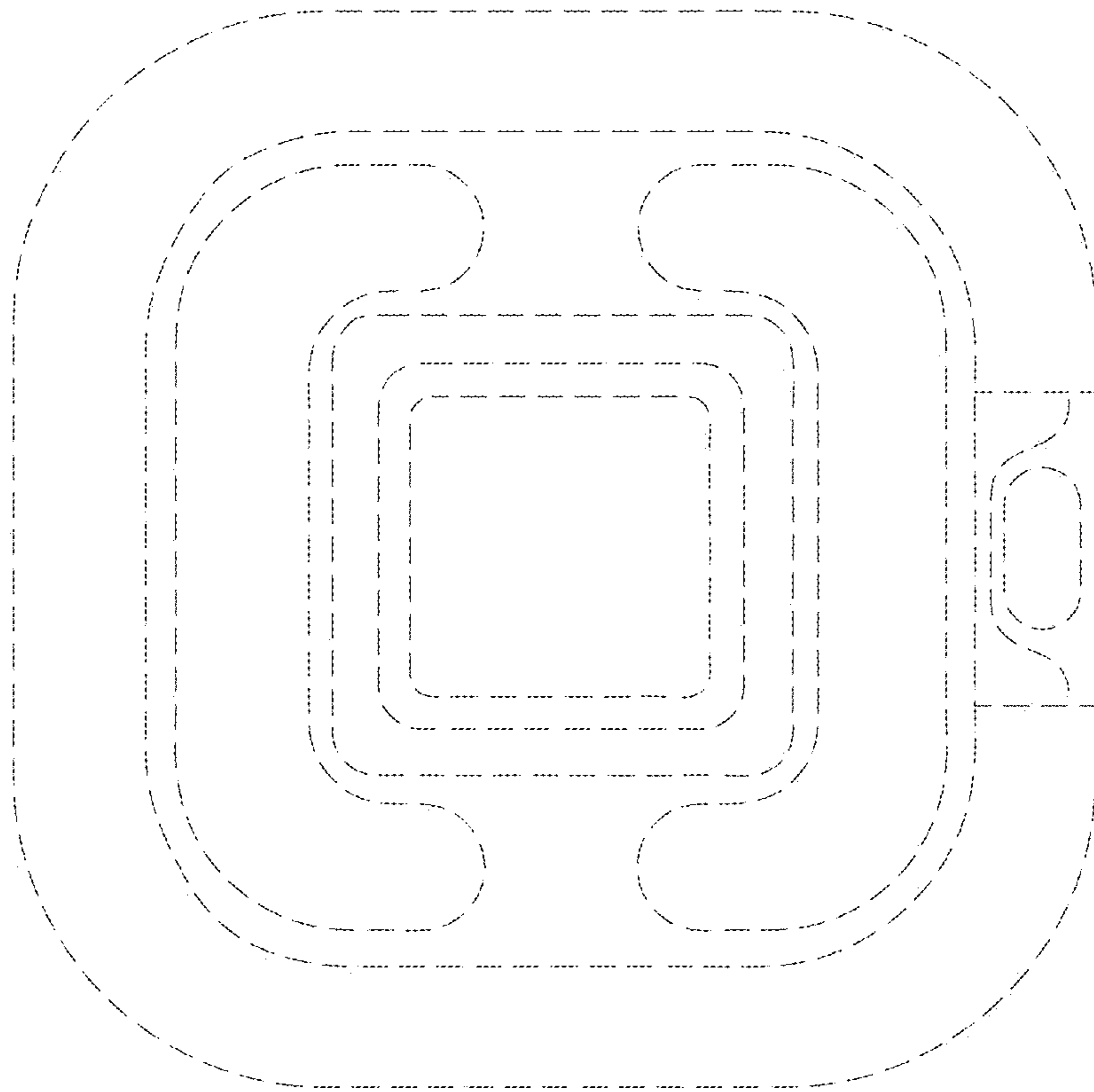


FIG. 6



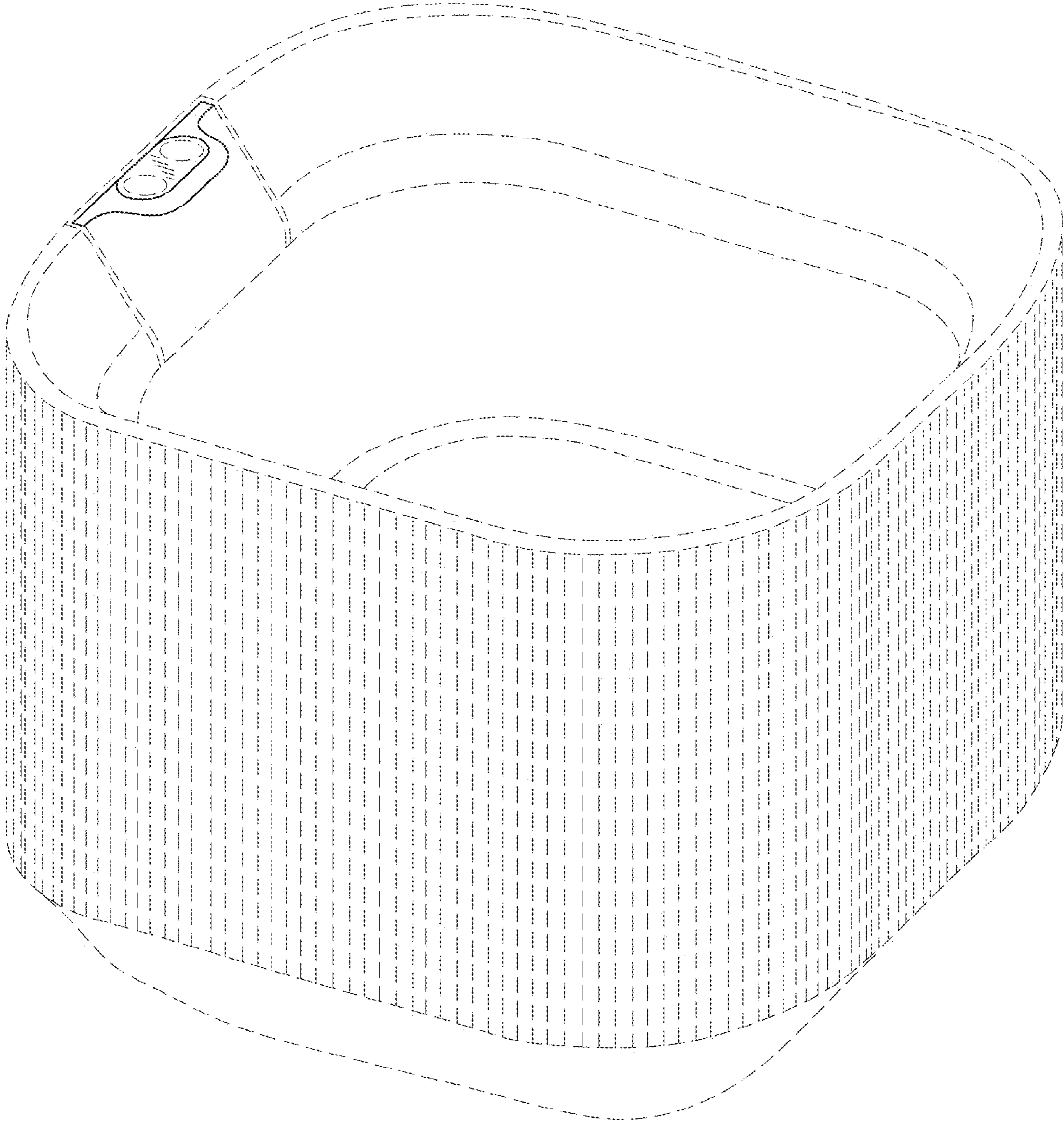


FIG. 7

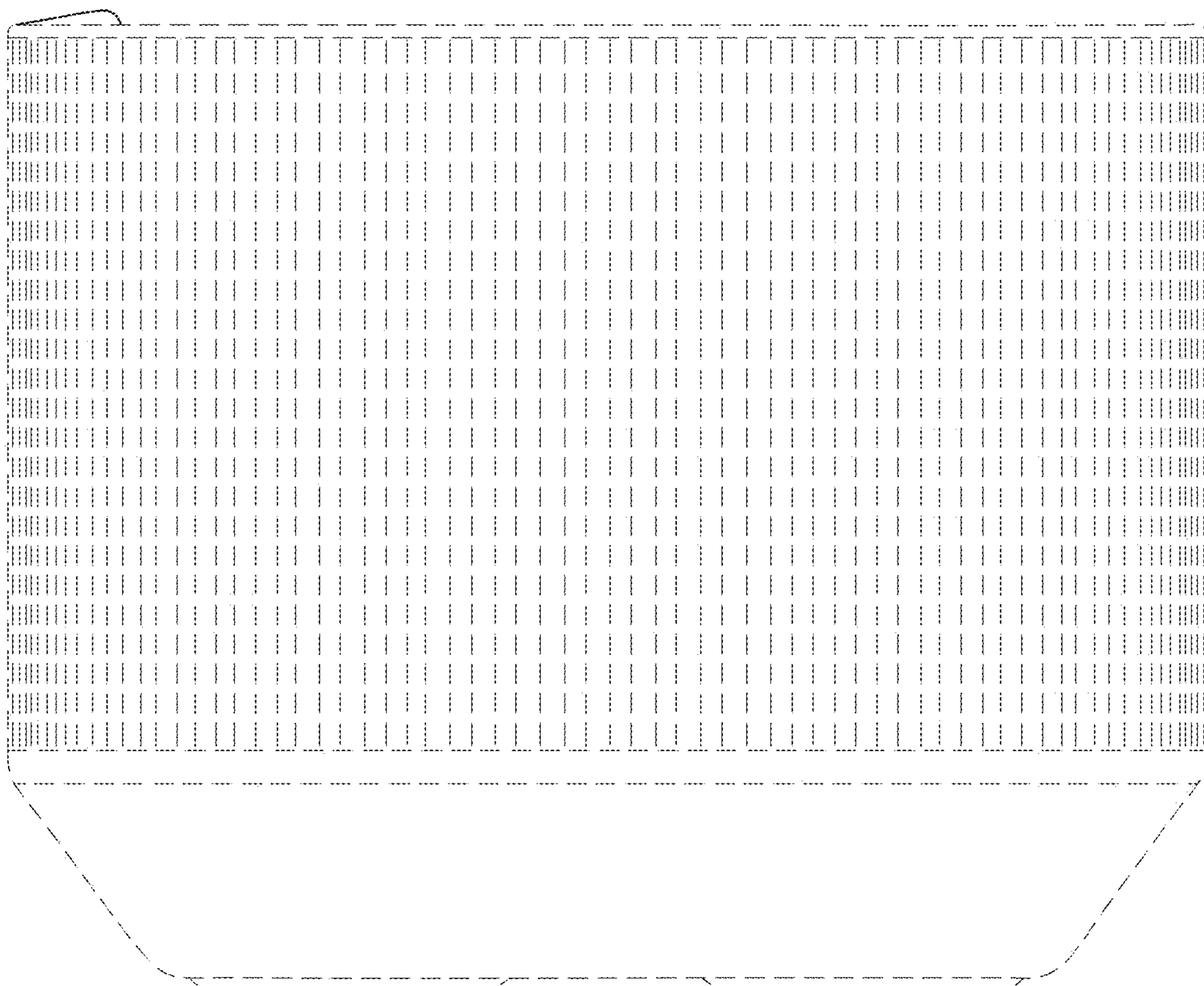


FIG. 8

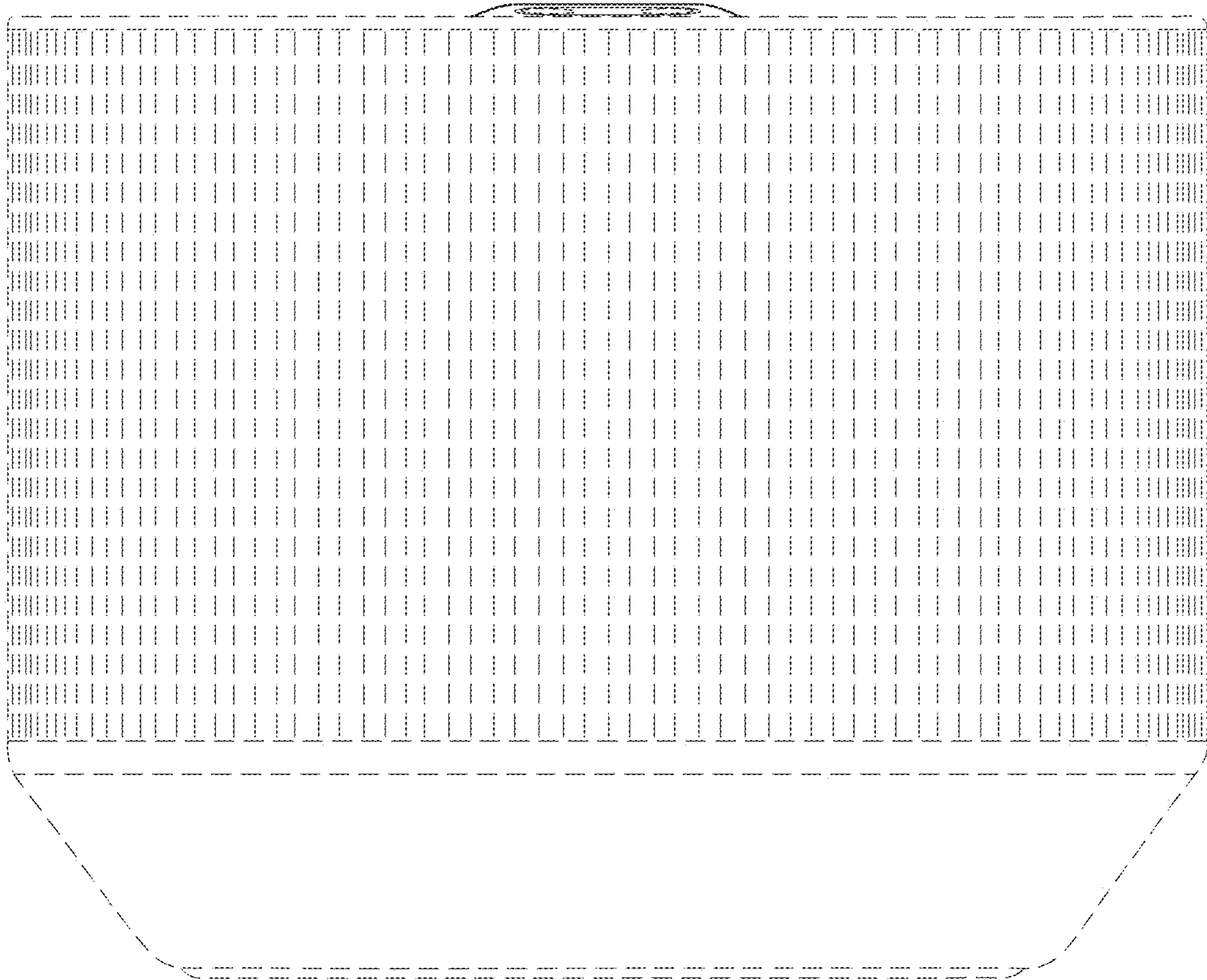


FIG. 9

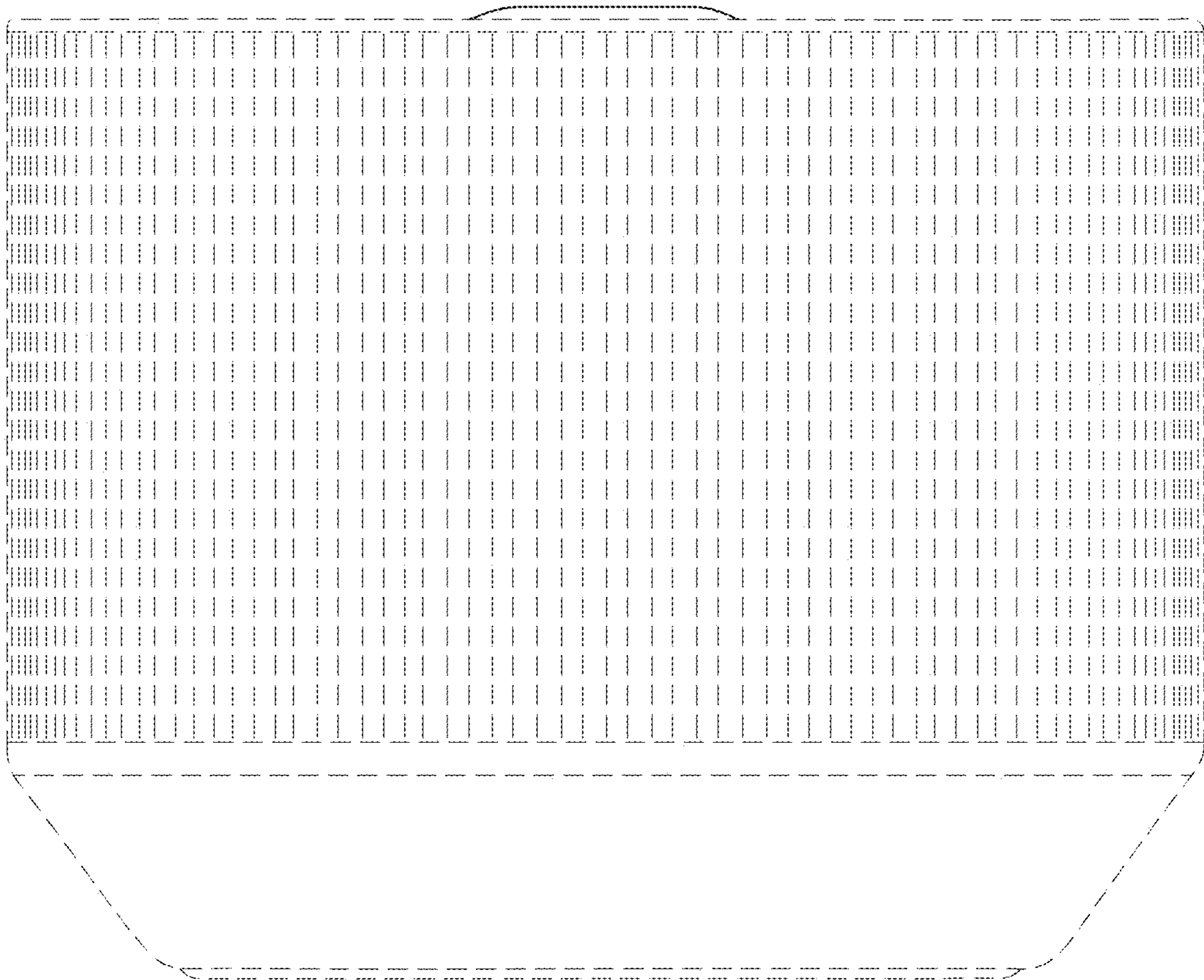


FIG. 10

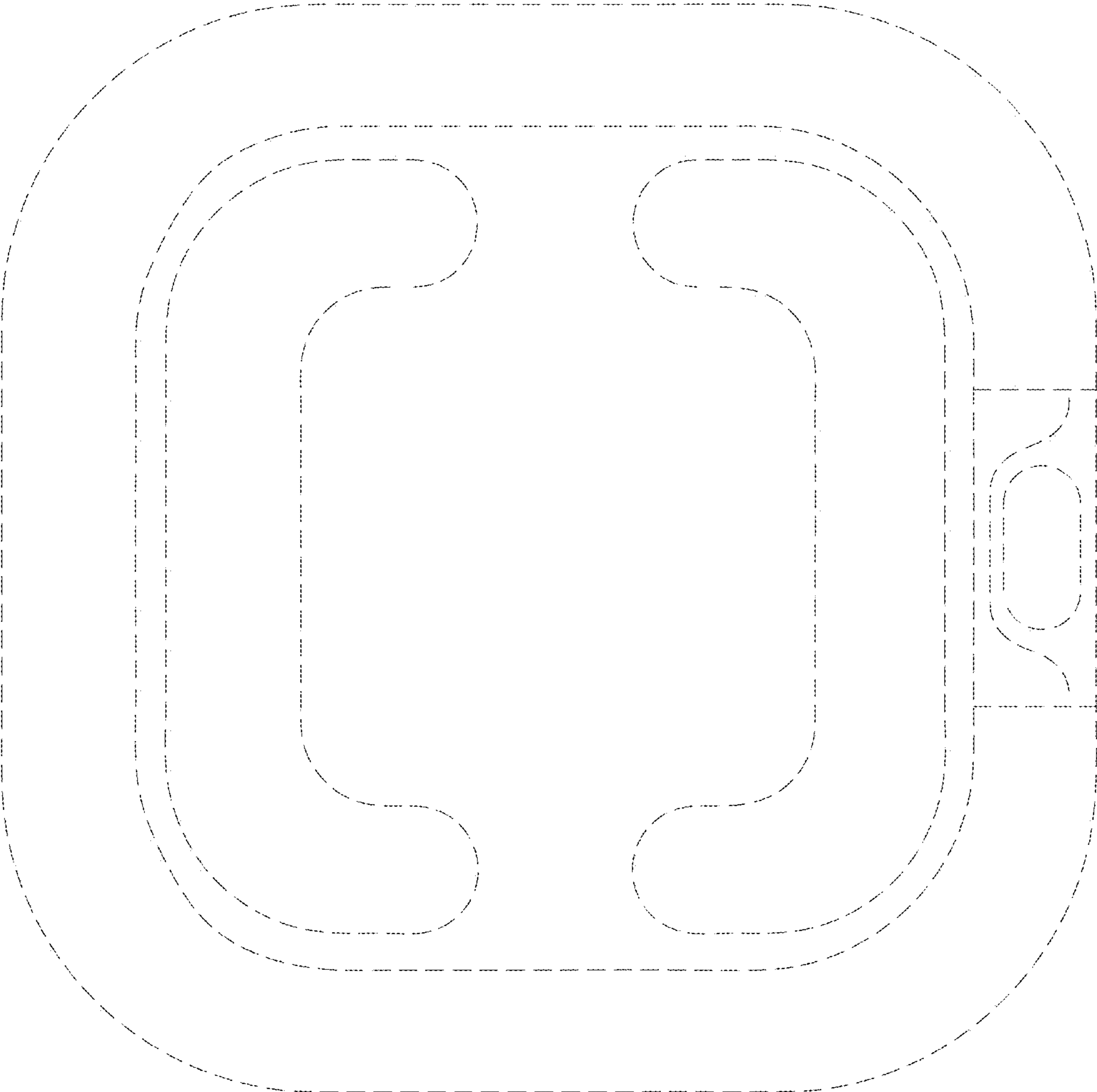


FIG. 11

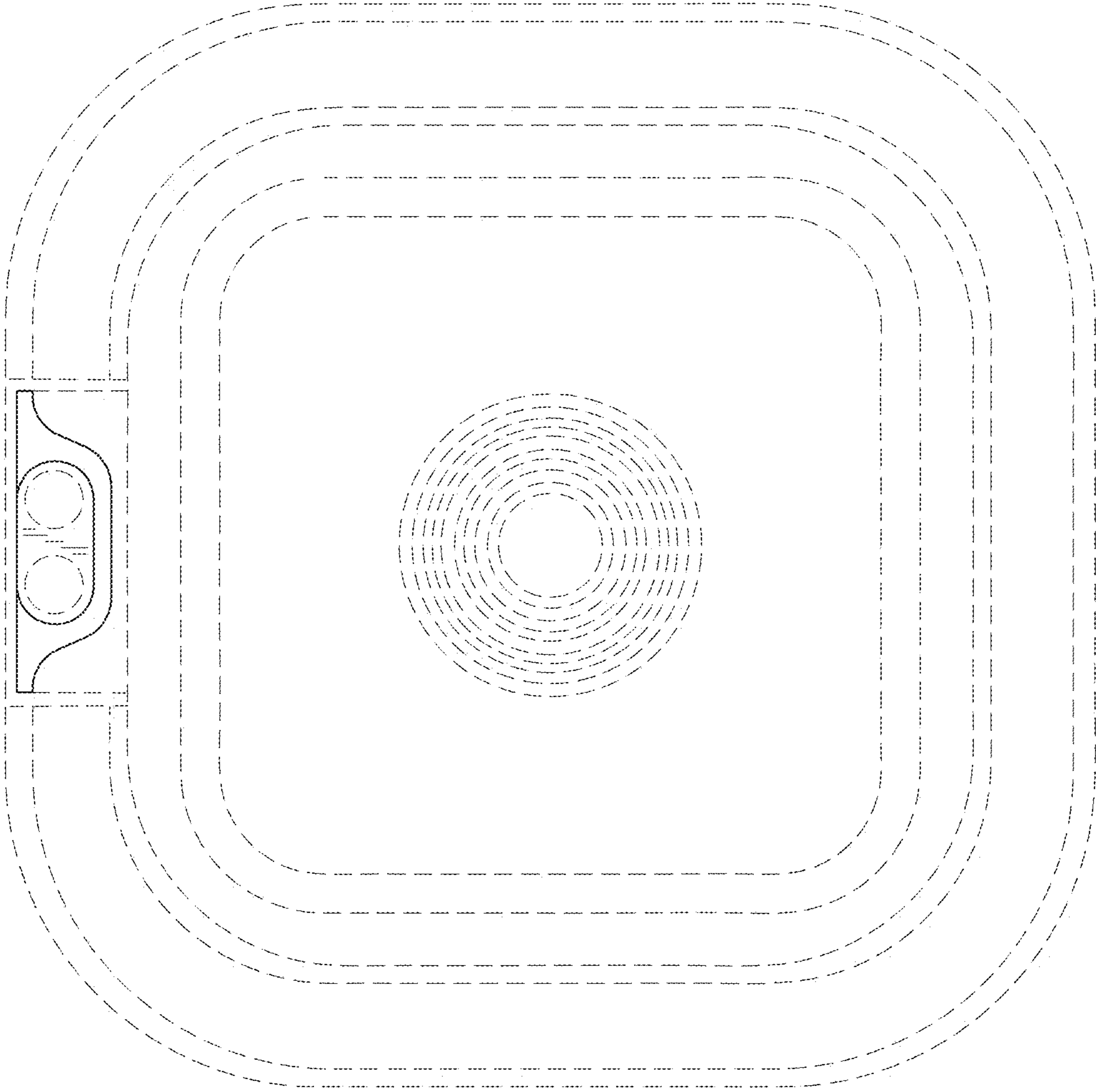


FIG. 12