

US00D876984S

(12) **United States Design Patent**
Richardson et al.

(10) **Patent No.:** **US D876,984 S**
(45) **Date of Patent:** **** Mar. 3, 2020**

- (54) **ORNAMENT CAP**
- (71) Applicant: **FLORACRAFT CORPORATION**,
Ludington, MI (US)
- (72) Inventors: **Dondi Richardson**, Ludington, MI
(US); **Beth Ann Morsman**, Ludington,
MI (US); **Eric Erwin**, Ludington, MI
(US)
- (73) Assignee: **FLORACRAFT CORPORATION**,
Ludington, MI (US)
- (**) Term: **15 Years**
- (21) Appl. No.: **29/667,575**
- (22) Filed: **Oct. 23, 2018**
- (51) **LOC (12) Cl.** **11-05**
- (52) **U.S. Cl.**
USPC **D11/130**
- (58) **Field of Classification Search**
USPC D11/117, 121, 130, 131, 164, 200, 201,
D11/222; D9/434, 435
CPC A47G 33/00; A47G 33/08; A47G 33/10
See application file for complete search history.

D382,824 S *	8/1997	Motruk	D10/106.4
D413,547 S *	9/1999	Wagner	D11/164
D416,213 S *	11/1999	Gryskiewicz	D11/130
D416,826 S *	11/1999	Newsome	D11/121
D482,967 S *	12/2003	Bourque	D9/435
D491,484 S *	6/2004	Tyler	D11/121
D491,838 S *	6/2004	Su	D11/121
D534,796 S *	1/2007	Falkenburg	D23/262
D545,974 S *	7/2007	Nan	D11/121
D774,412 S *	12/2016	Blankenship	D11/143
D846,869 S *	4/2019	van Langen	D3/201

* cited by examiner

Primary Examiner — Elizabeth J Oswecki
(74) *Attorney, Agent, or Firm* — Stephen T. Olson;
Harness, Dickey & Pierce, P.L.C.

(57) **CLAIM**

The ornamental design for an ornament cap, as shown and described.

DESCRIPTION

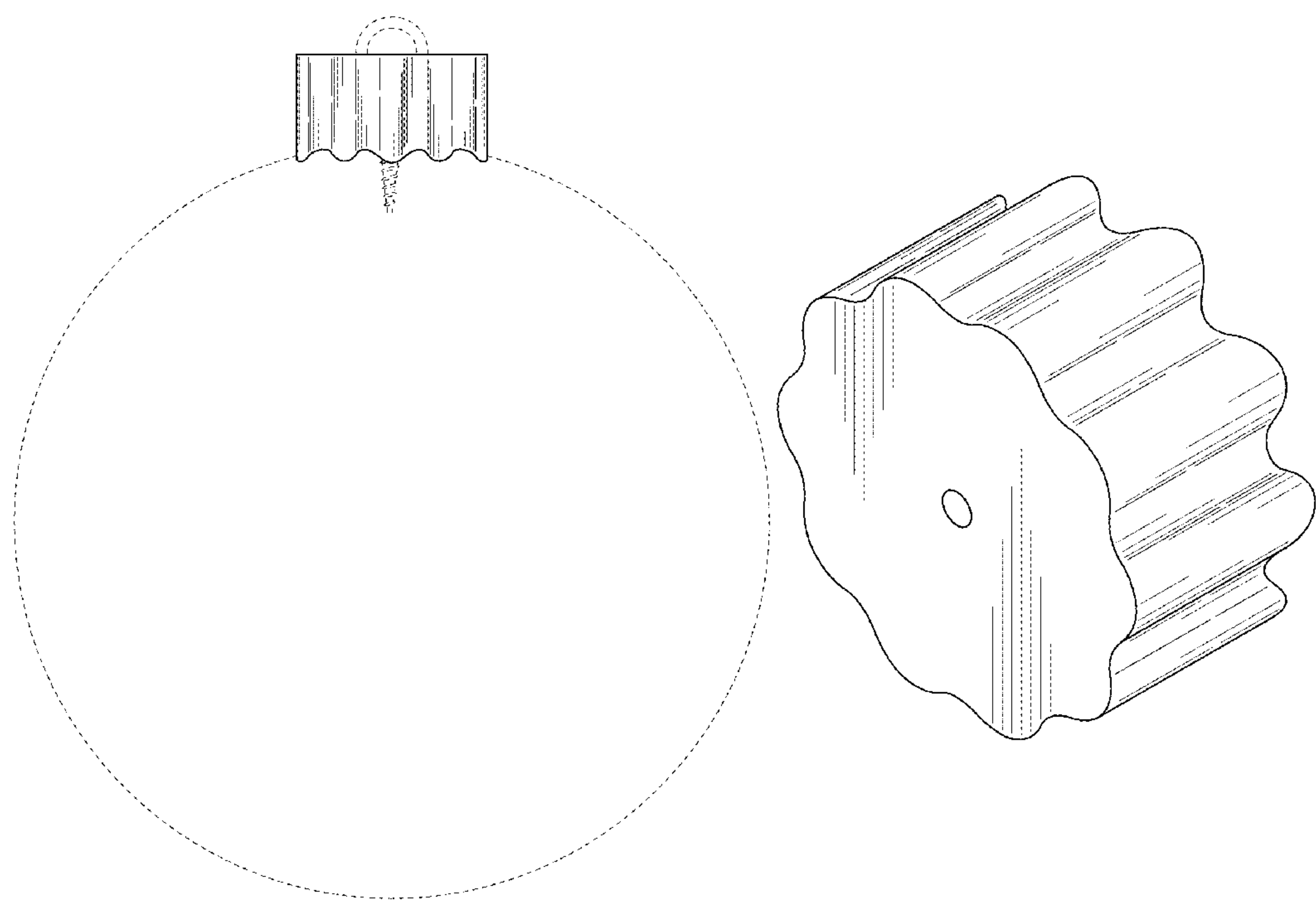
FIG. 1 is a front elevation view of an ornamental cap showing our new design, in a used condition with an ornament shown in broken lines, the rear elevation view being identical;
FIG. 2 is a top, side perspective view thereof;
FIG. 3 is a bottom, side perspective view thereof;
FIG. 4 is a top plan view thereof;
FIG. 5 is a bottom plan view thereof; and,
FIG. 6 is a left side elevation view thereof, the right side elevation view being identical.
The broken lines shown in the drawings represent portions of the ornament cap that form no part of the claimed design.

1 Claim, 3 Drawing Sheets

(56) **References Cited**

U.S. PATENT DOCUMENTS

2,800,187 A *	7/1957	Lehder	A47G 33/10 169/26
3,023,469 A *	3/1962	Alexander	A47G 33/10 24/562
4,452,836 A *	6/1984	Daniel, Jr.	A47G 33/10 106/437
D362,205 S *	9/1995	Eichhorn	D11/130



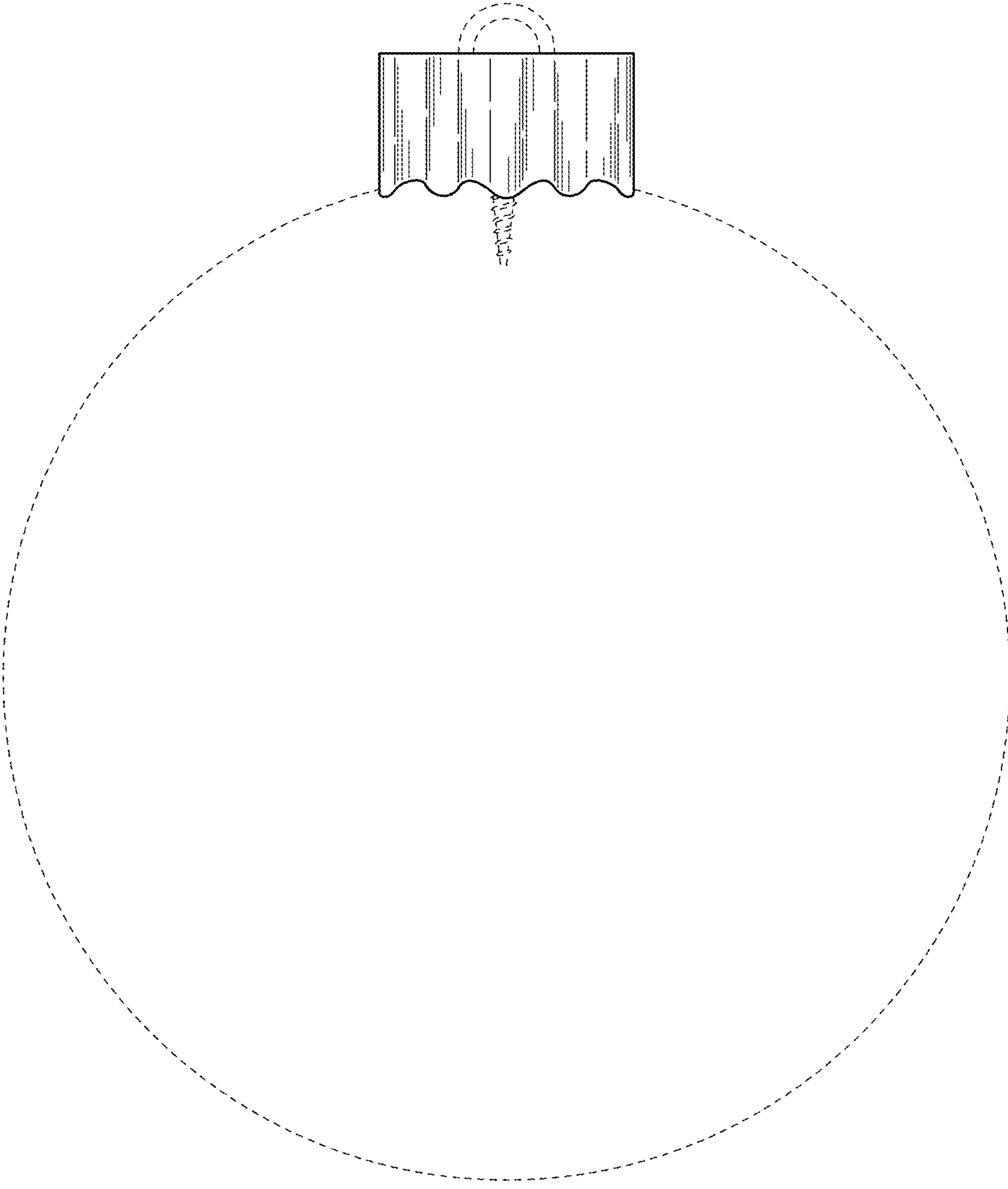


FIG. 1

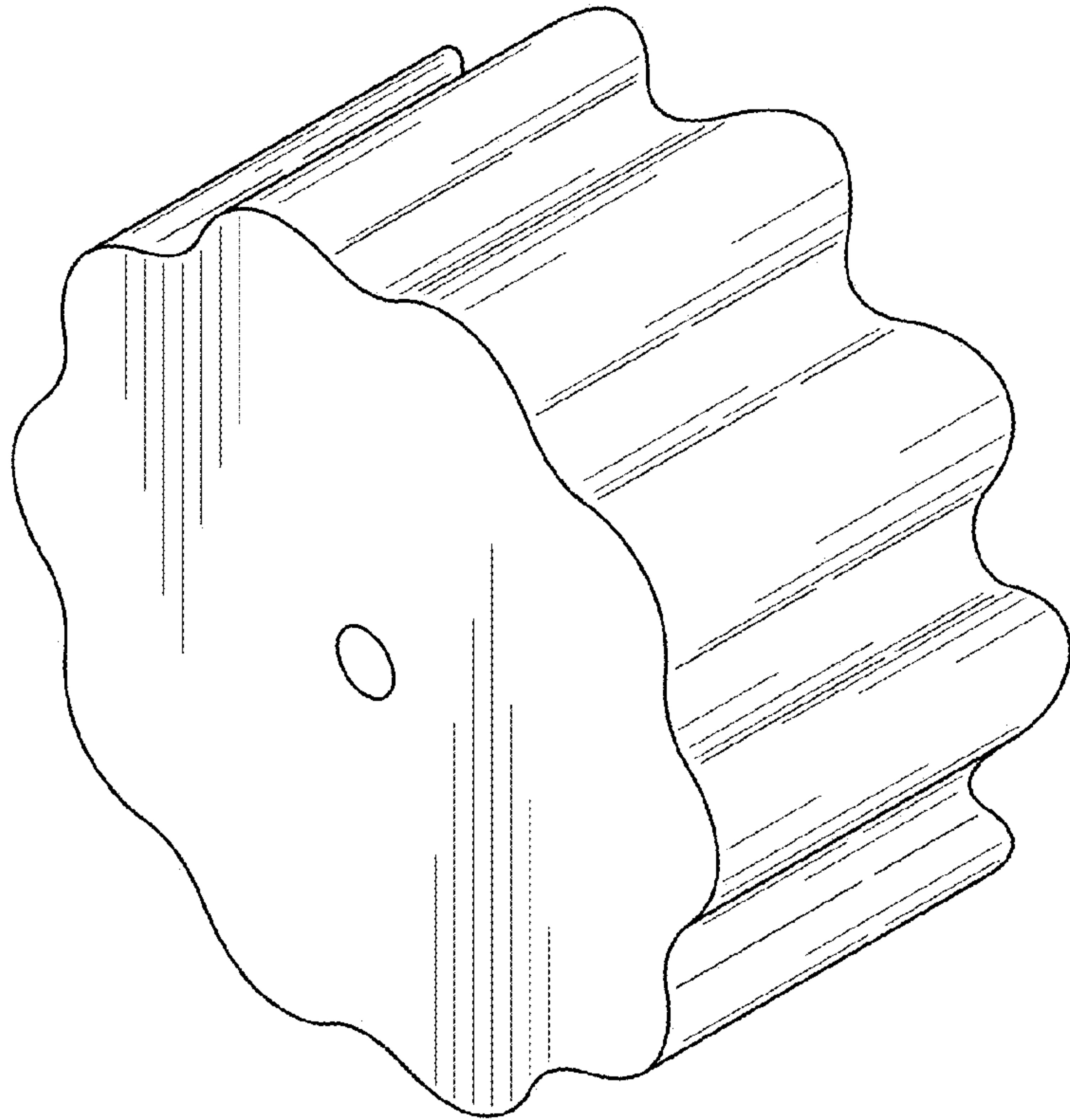


FIG. 2

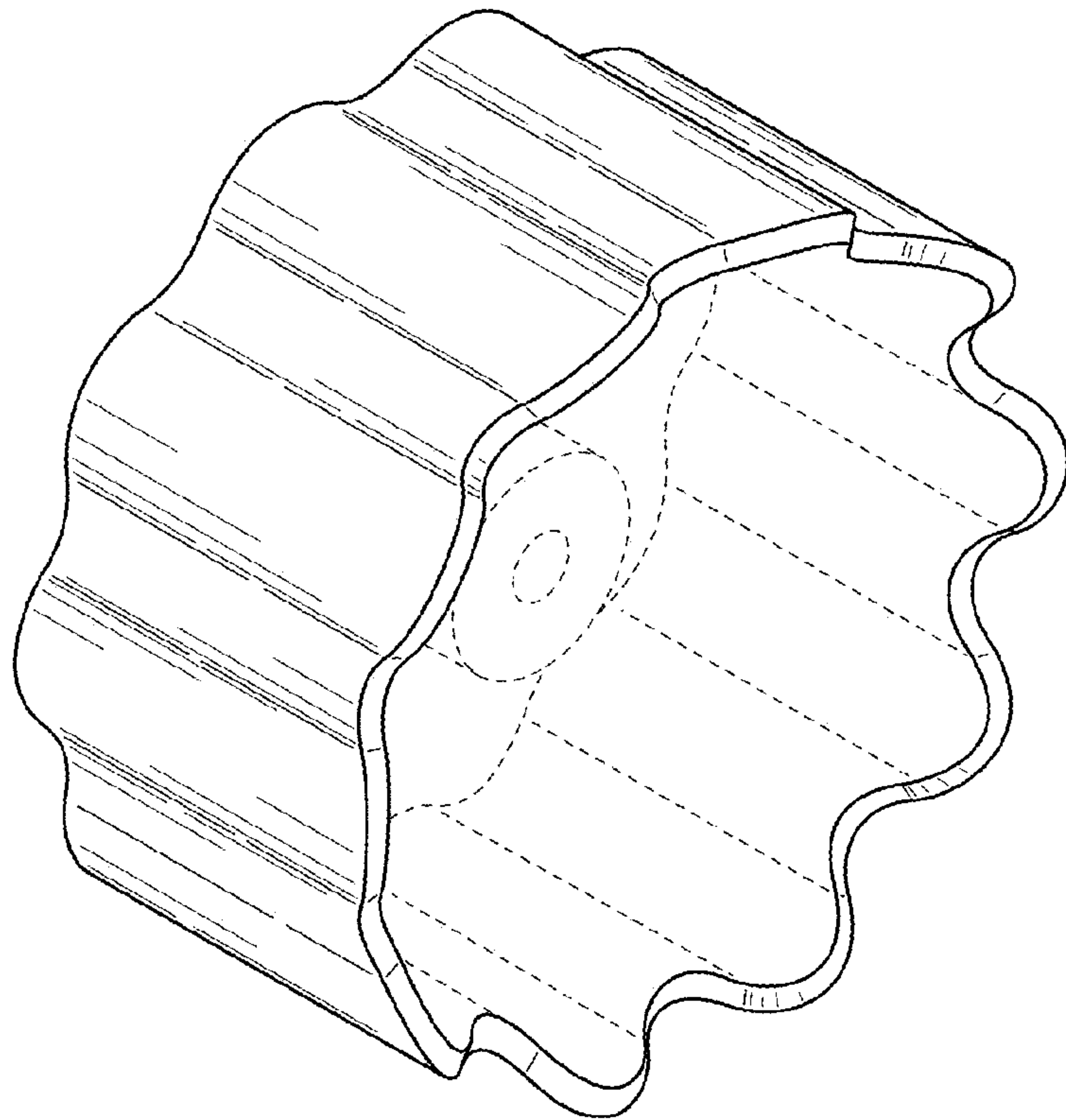


FIG. 3

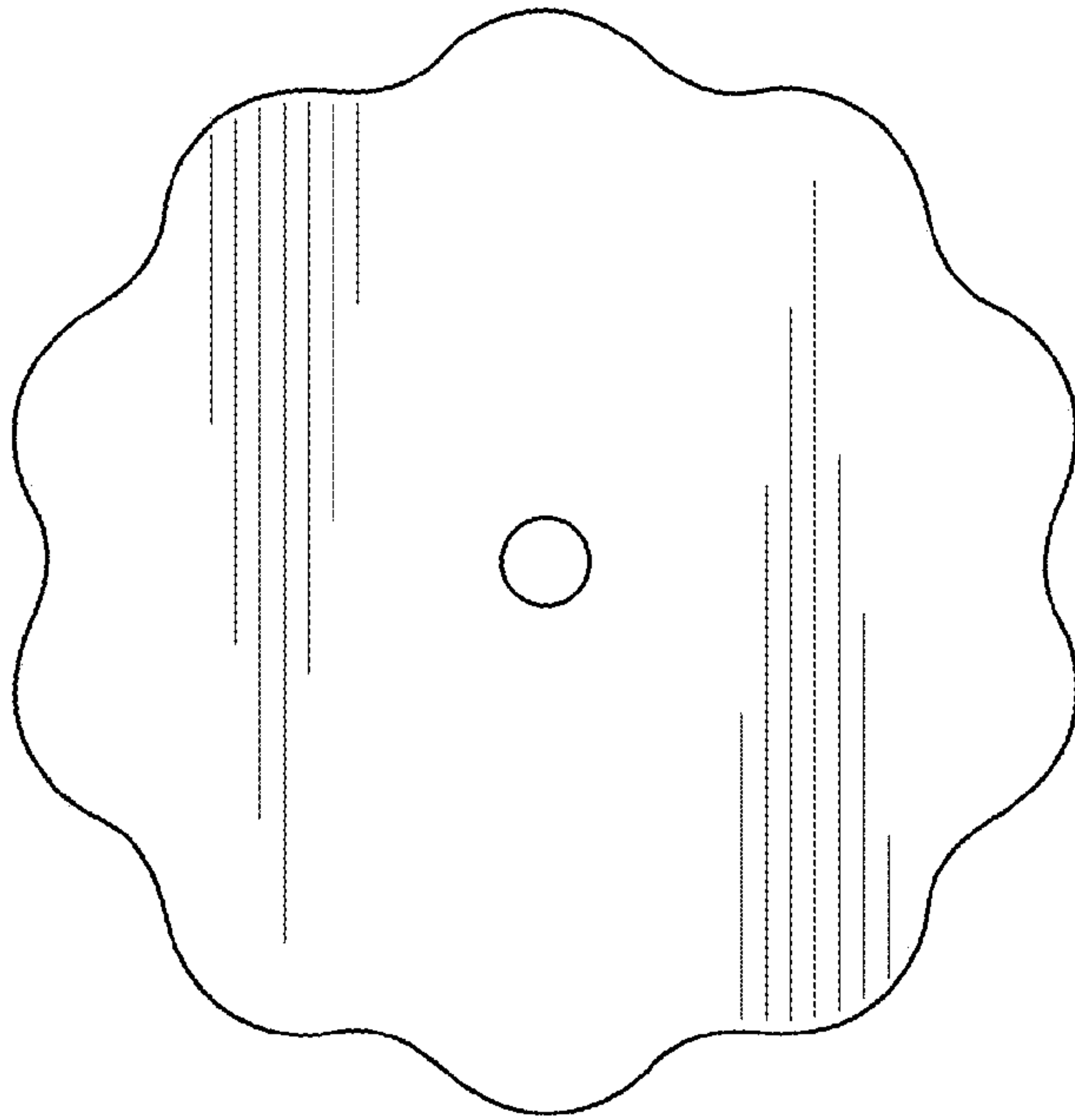


FIG. 4

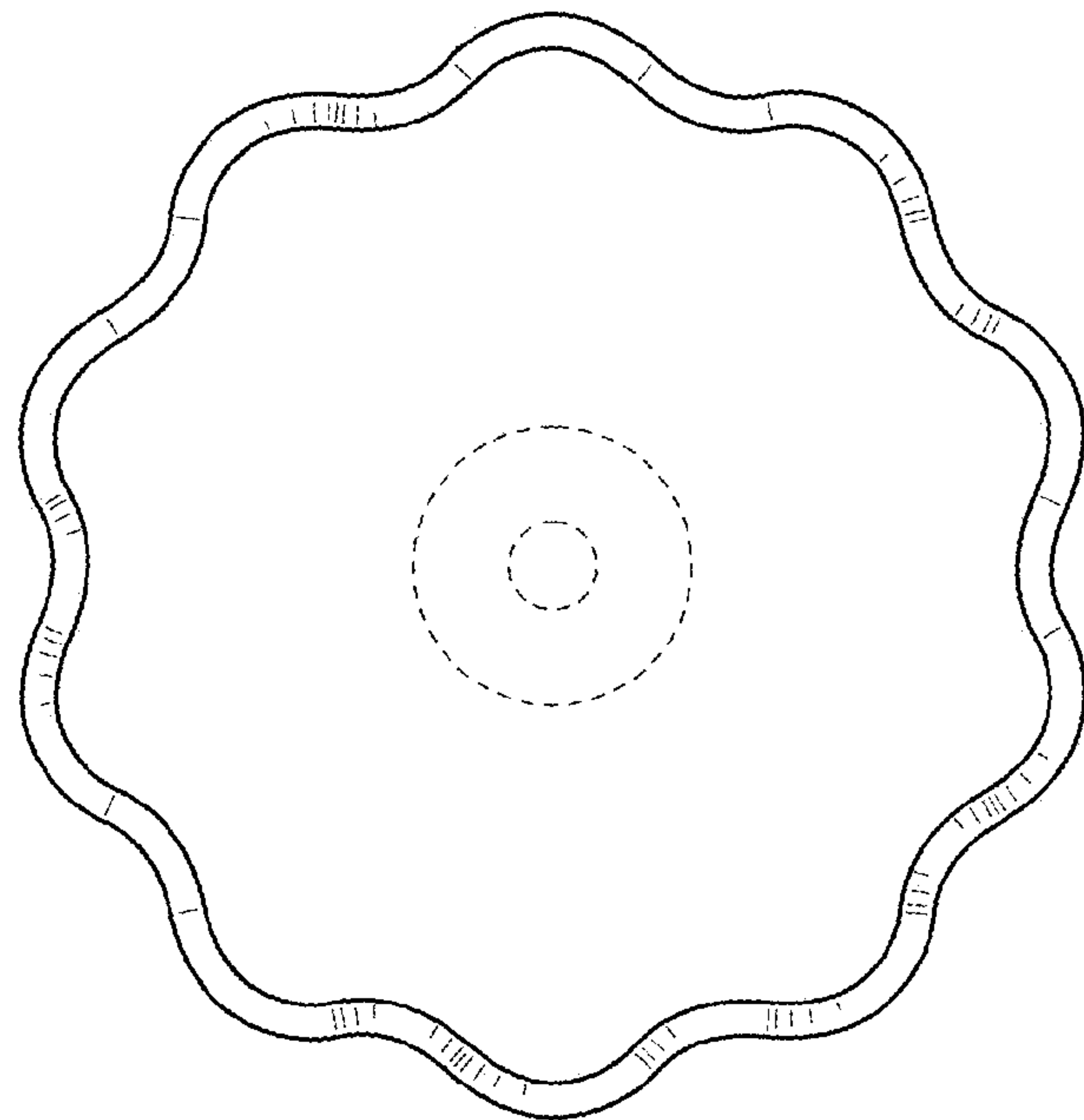


FIG. 5

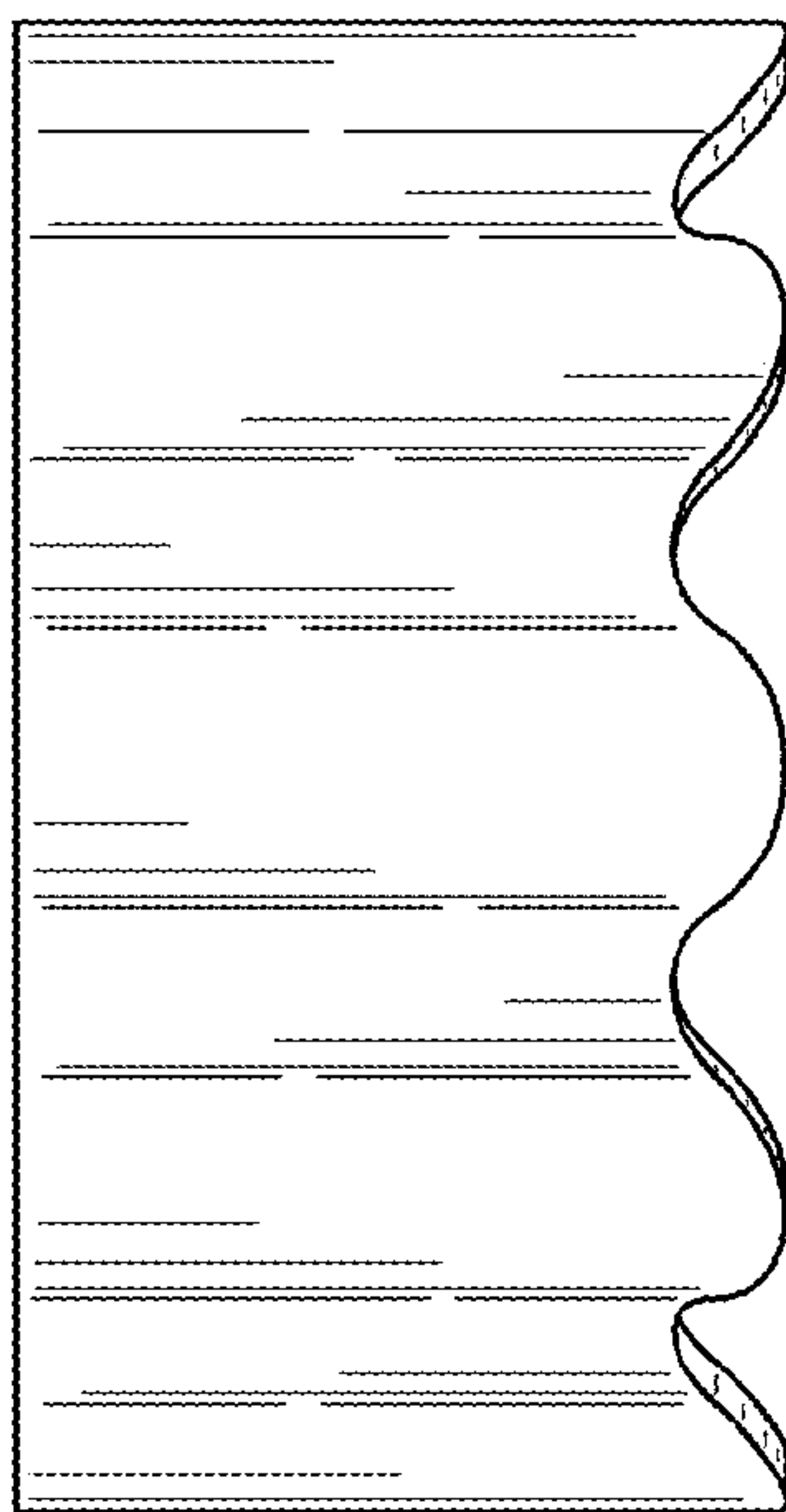


FIG. 6