

US00D876979S

(12) **United States Design Patent**  
**Dholakiya**

(10) **Patent No.:** **US D876,979 S**  
(45) **Date of Patent:** **\*\* Mar. 3, 2020**

- (54) **PRECIOUS STONE**
- (71) Applicant: **H.K. Designs Inc.**, New York, NY (US)
- (72) Inventor: **Hasu Dholakiya**, New York, NY (US)
- (73) Assignee: **H. K. DESIGNS INC.**, New York, NY (US)
- (\*\*) Term: **15 Years**
- (21) Appl. No.: **29/644,603**
- (22) Filed: **Apr. 19, 2018**
- (51) **LOC (12) Cl.** ..... **11-01**
- (52) **U.S. Cl.**  
USPC ..... **D11/90**
- (58) **Field of Classification Search**  
USPC ..... D11/1, 2, 16, 26–29, 34, 35, 36, 89–92  
CPC ..... A44C 17/00; A44C 17/001; A44C 17/002;  
A44C 17/003; A44C 17/005; A44C 17/006; A44C 17/007; A44C 17/008  
See application file for complete search history.

D727,784 S *	4/2015	Siman-tov	.....	D11/90
D742,782 S *	11/2015	Slowinski	.....	D11/89
D795,125 S *	8/2017	Slowinski	.....	D11/89

**FOREIGN PATENT DOCUMENTS**

CA	RGN-93925	*	11/2001
IL	RGN-14588	*	1/1991

\* cited by examiner

*Primary Examiner* — Kevin K Rudzinski  
*Assistant Examiner* — Richard Kearney  
(74) *Attorney, Agent, or Firm* — Ostrolenk Faber LLP

(57) **CLAIM**

The ornamental design for a precious stone, as shown and described.

**DESCRIPTION**

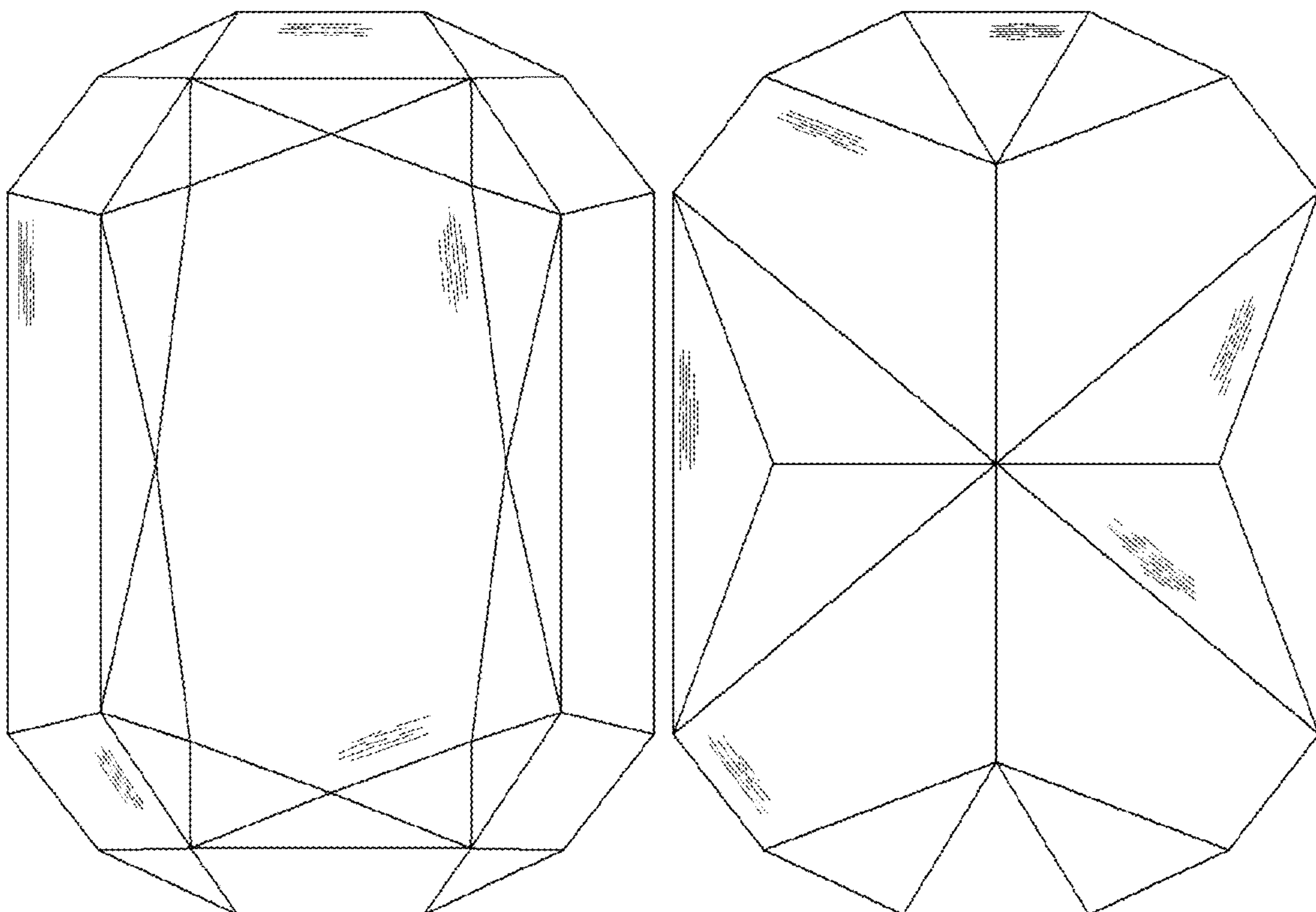
FIG. 1 is a perspective view of a precious stone, showing my new design.  
FIG. 2 is another perspective view of the precious stone of FIG. 1.  
FIG. 3 is a top view of FIG. 1.  
FIG. 4 is a bottom view of FIG. 1.  
FIG. 5 is a side view of FIG. 1, the opposite side being a mirror image thereof; and,  
FIG. 6 is an end view of FIG. 1, the opposite end being a mirror image thereof.  
The gray shading shown in the drawings illustrates a contrast in appearance and forms part of the claimed design.

(56) **References Cited**

**U.S. PATENT DOCUMENTS**

D251,659 S *	4/1979	Grossbard	.....	D11/90
D337,742 S *	7/1993	D'Haene	.....	D11/89
D418,444 S *	1/2000	Callahan	.....	D11/90
D501,155 S *	1/2005	Tolkowsky	.....	D11/90
D607,369 S *	1/2010	Swarovski	.....	D11/90

**1 Claim, 6 Drawing Sheets**



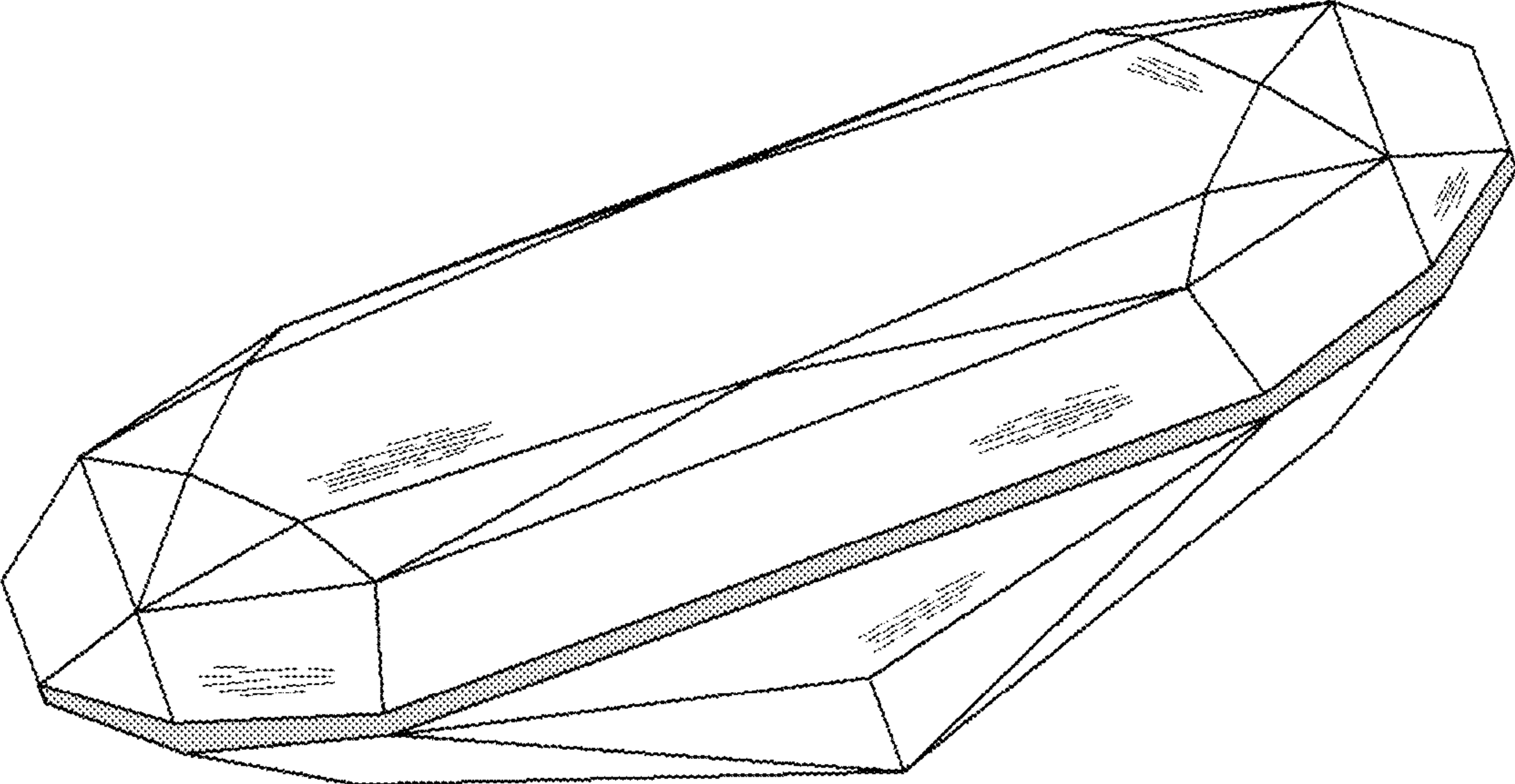


Fig. 1

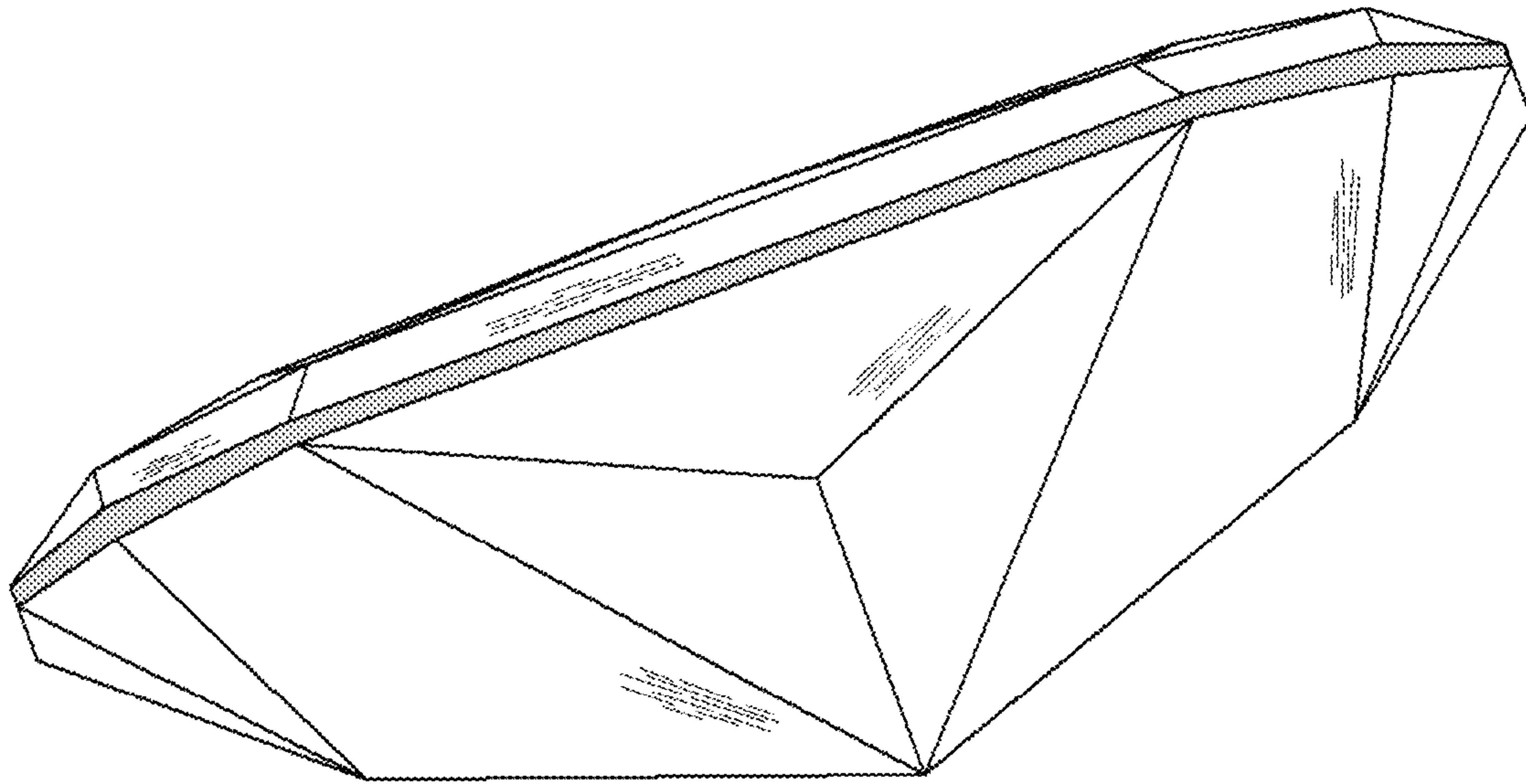


Fig. 2

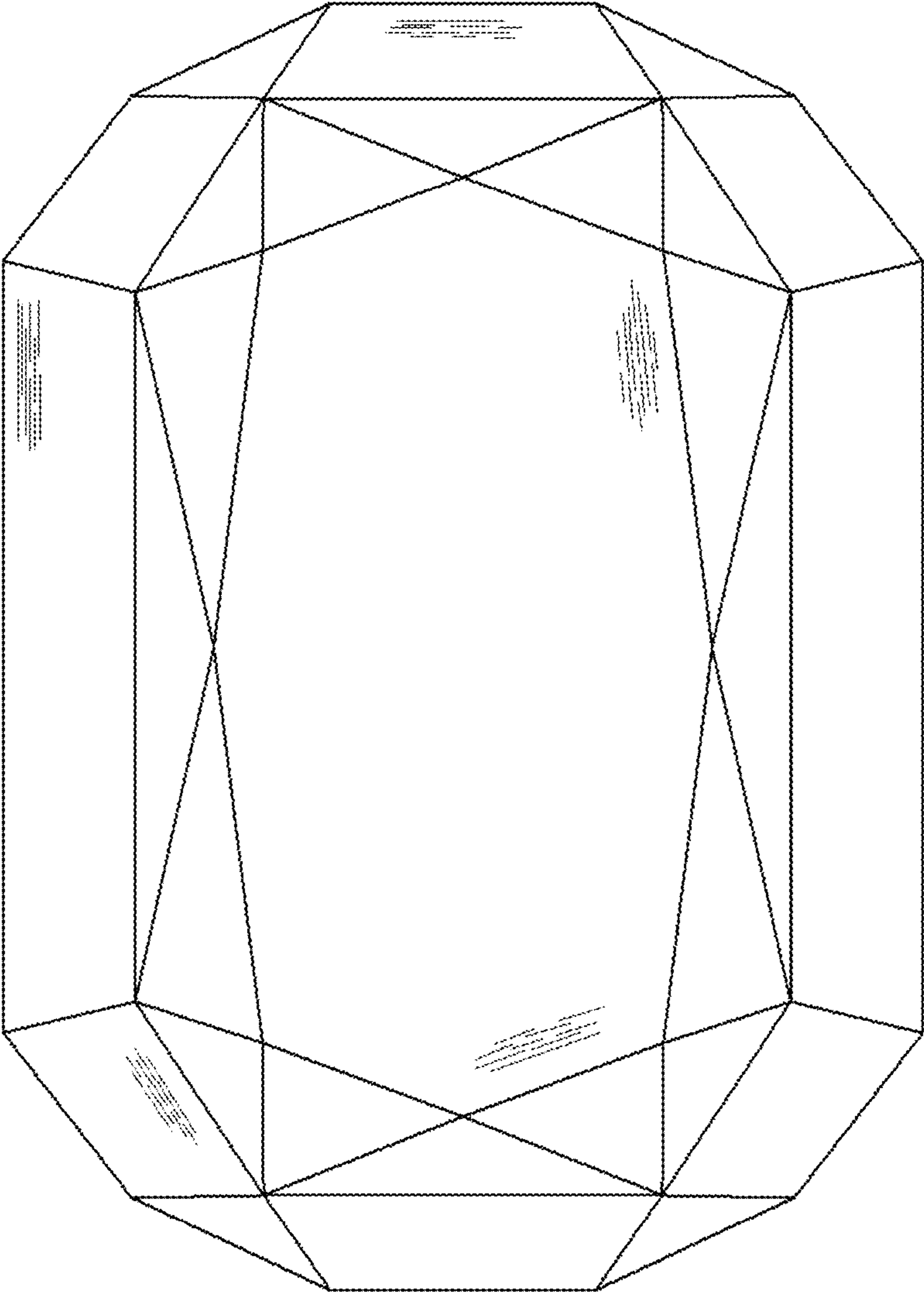


Fig. 3

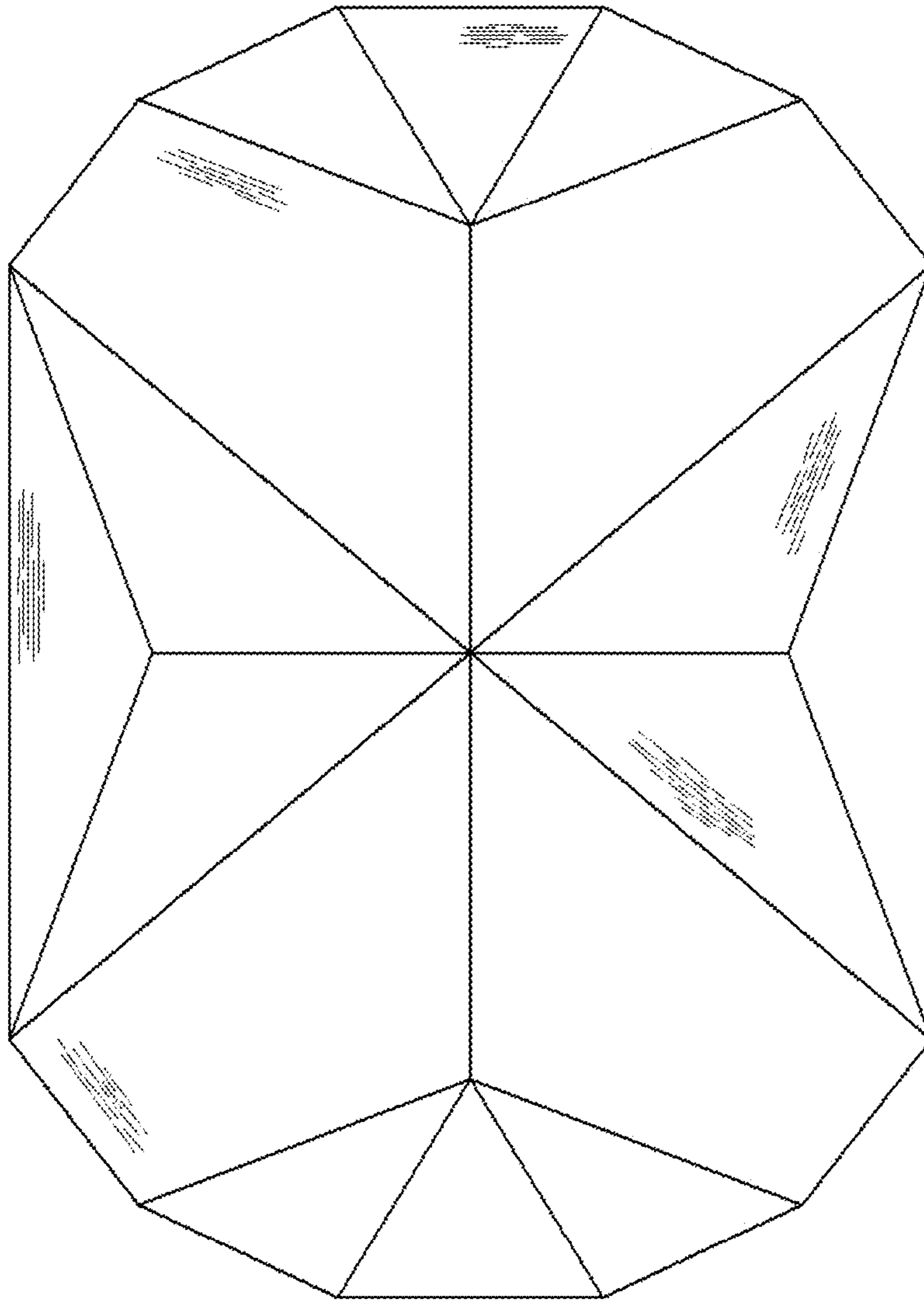


Fig. 4



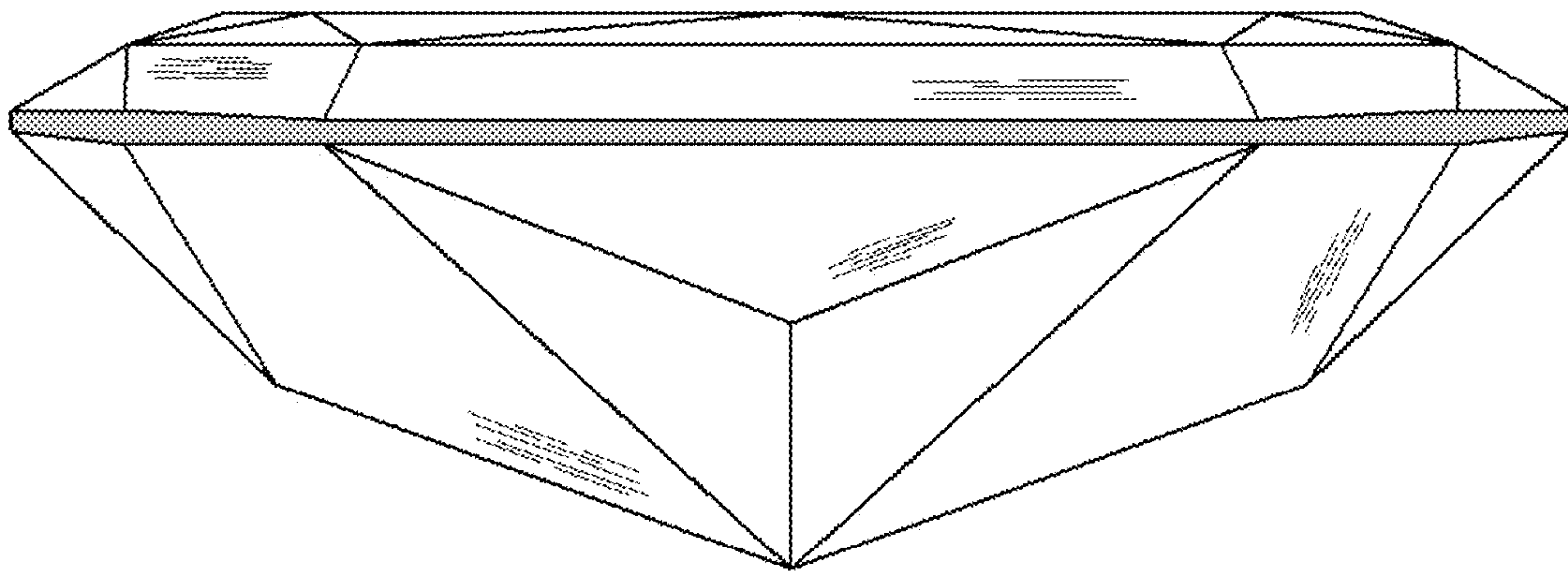


Fig. 5

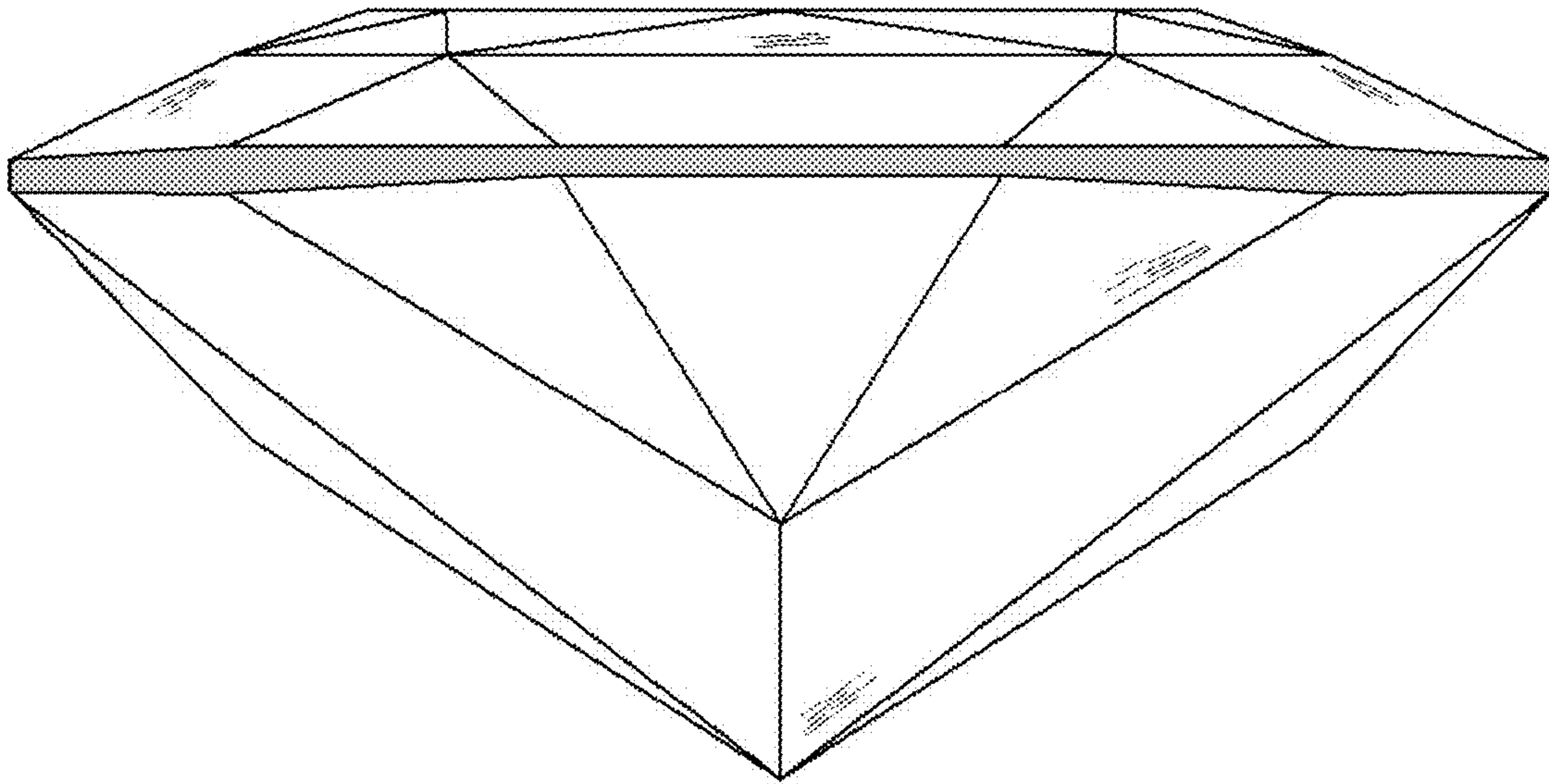


Fig. 6