



US00D876976S

(12) **United States Design Patent** (10) **Patent No.:** **US D876,976 S**
Zeng (45) **Date of Patent:** **** Mar. 3, 2020**

(54) **UMBILICAL NAIL**
(71) Applicant: **Weiwang Zeng**, Foshan (CN)
(72) Inventor: **Weiwang Zeng**, Foshan (CN)
(**) Term: **15 Years**

D657,280 S * 4/2012 Freeland D11/1
D662,005 S * 6/2012 Bennett D11/40
D665,693 S * 8/2012 Bennett D11/40
D671,439 S * 11/2012 Bennett D11/40
D727,778 S * 4/2015 Levinson A44C 7/003
D11/86
D809,960 S * 2/2018 Marchand D11/41
2003/0200765 A1* 10/2003 Lepere A44C 7/009
63/12

(21) Appl. No.: **29/614,886**

(22) Filed: **Aug. 24, 2017**

(51) **LOC (12) Cl.** **11-01**

(52) **U.S. Cl.**
USPC **D11/1**

(58) **Field of Classification Search**
USPC D11/1, 2, 3, 7, 13, 14, 16, 17, 40-44;
63/12, 13, 33
CPC A44C 15/0035; A44C 15/0045; A44C
15/0065; A44C 15/0095; A44C 15/00;
A44C 7/00; A44C 7/02; A44C 7/001
See application file for complete search history.

(56) **References Cited**

U.S. PATENT DOCUMENTS

5,097,682 A * 3/1992 Nakamura A44C 7/00
63/14.1
D337,963 S * 8/1993 Gladorisi D11/40
D376,335 S * 12/1996 Shechter D11/40
D460,014 S * 7/2002 Williams D11/1
D471,478 S * 3/2003 Waldman D11/1
D474,418 S * 5/2003 Waldman D11/1
D480,657 S * 10/2003 Waldman D11/1
D526,233 S * 8/2006 Hollis D11/1
D564,932 S * 3/2008 Steshik D11/89
7,337,632 B2 * 3/2008 Bruno A44C 7/002
63/13
D603,289 S * 11/2009 Lebail D11/43

OTHER PUBLICATIONS

Google Search, https://www.amazon.com/dp/B015EKMKWG/ref=sspa_dk_detail_15?psc=1#customerReviews (Oct. 20, 2018).*

* cited by examiner

Primary Examiner — Susan Bennett Hattan
Assistant Examiner — Rebecca Tsehaye
(74) *Attorney, Agent, or Firm* — Bay State IP, LLC

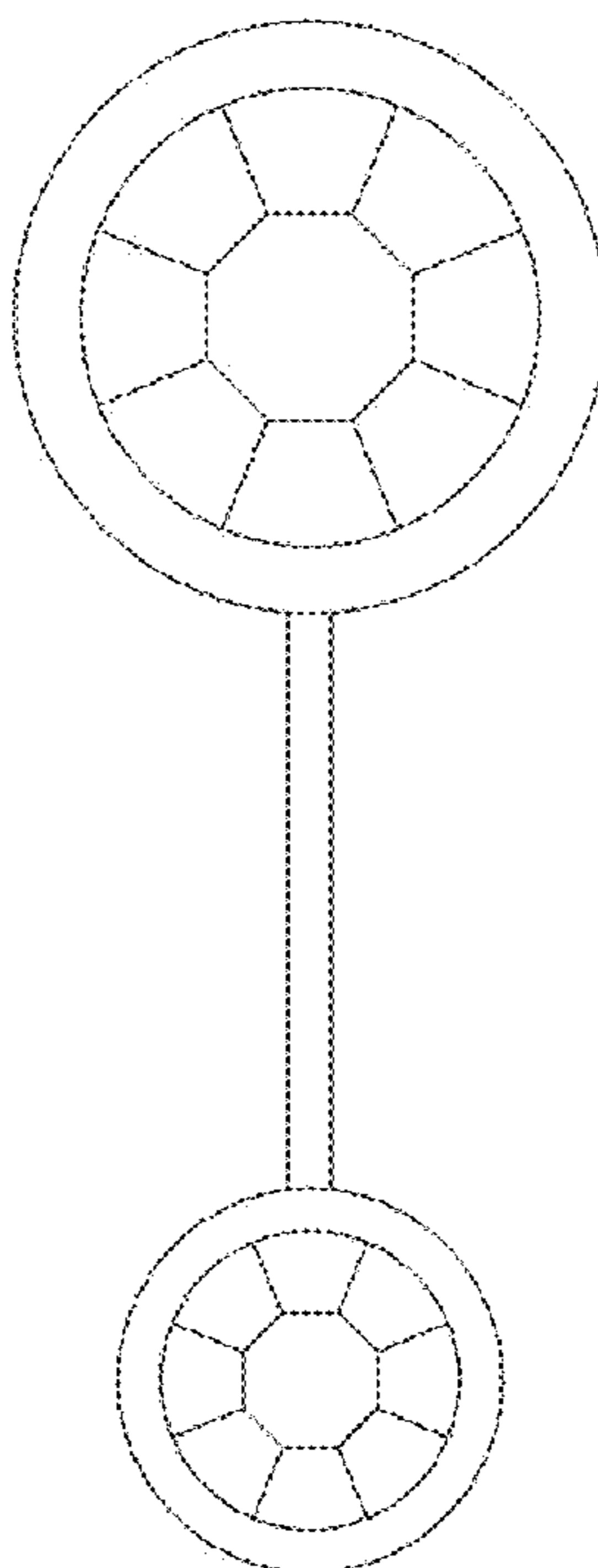
(57) **CLAIM**

The ornamental design for an umbilical nail, as shown and described.

DESCRIPTION

FIG. 1 is a front view showing my new design;
FIG. 2 is a back view thereof;
FIG. 3 is a left side view thereof;
FIG. 4 is a right side view thereof;
FIG. 5 is a top view thereof;
FIG. 6 is a bottom view thereof; and,
FIG. 7 is a front perspective view thereof.

1 Claim, 7 Drawing Sheets



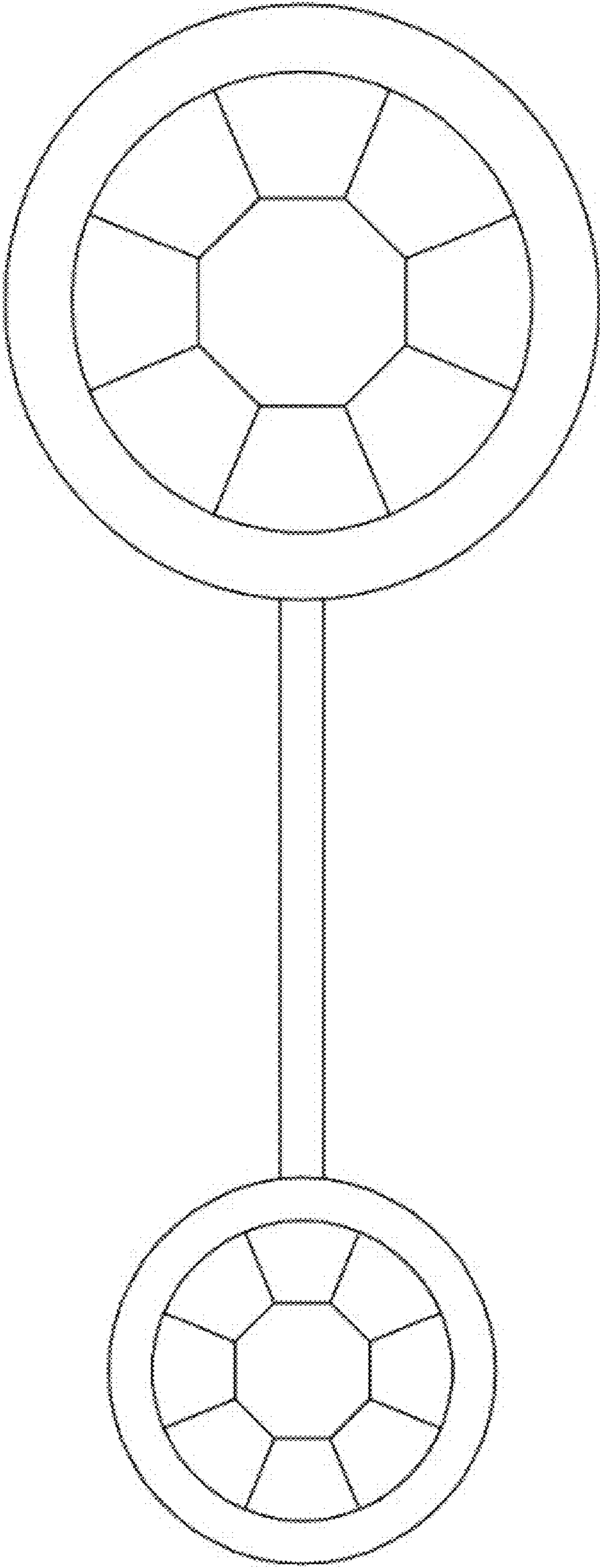


FIG. 1

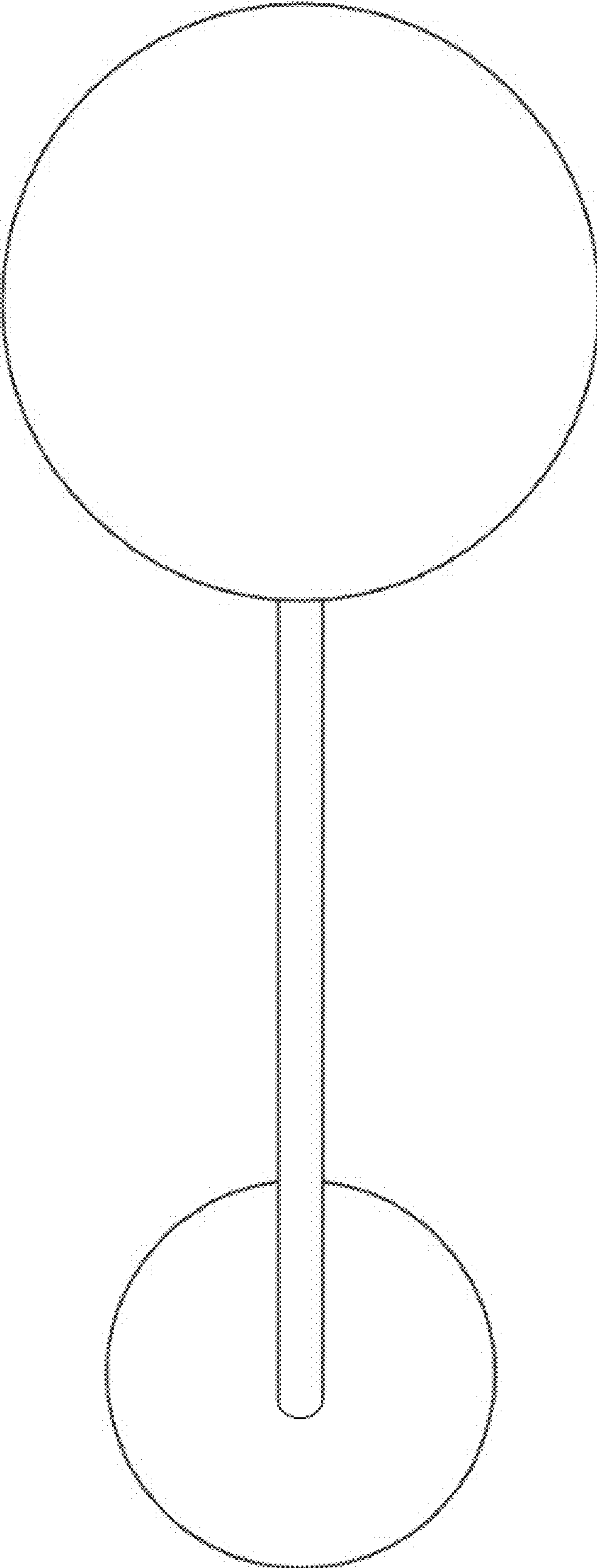


FIG. 2

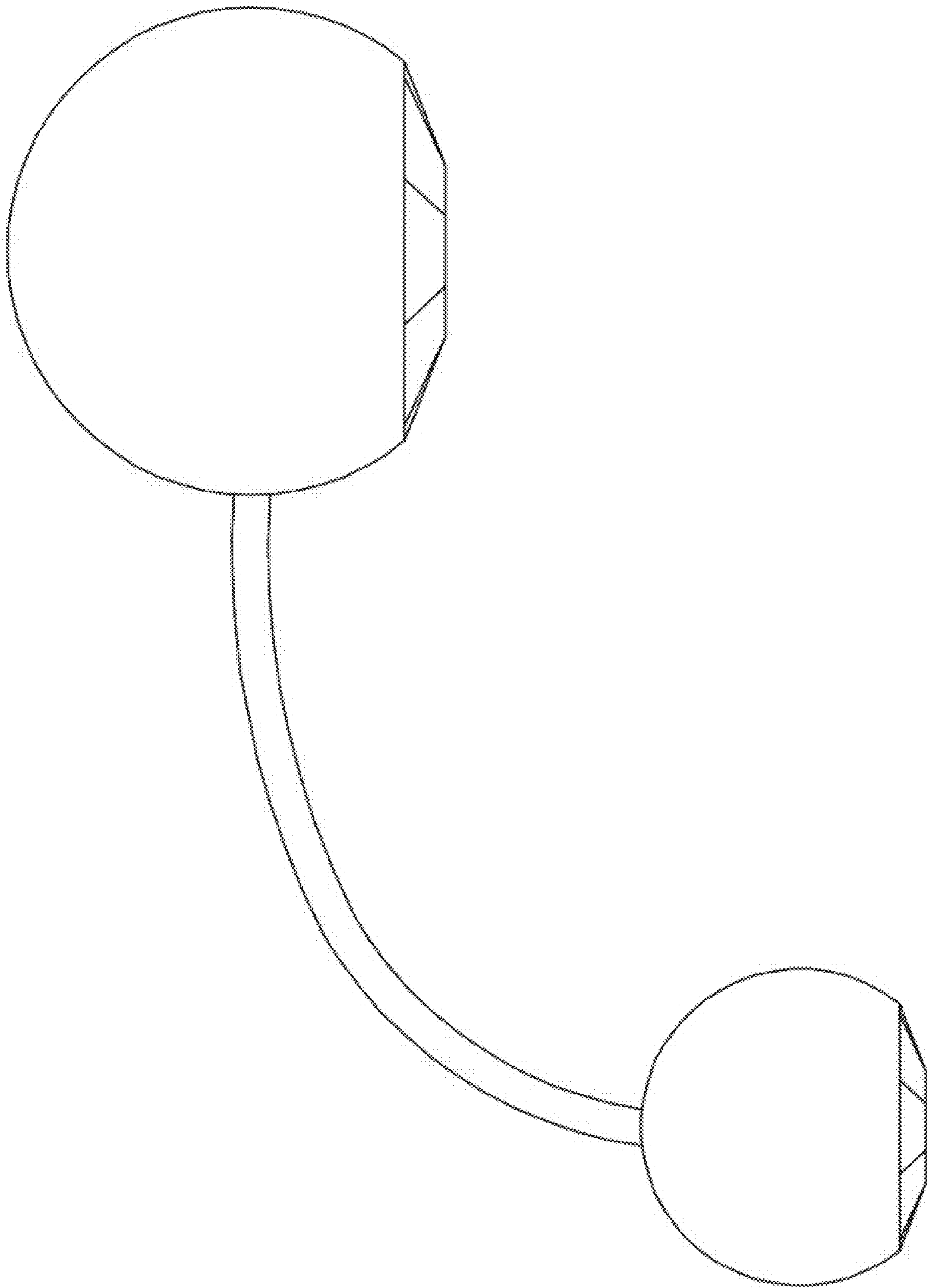


FIG. 3

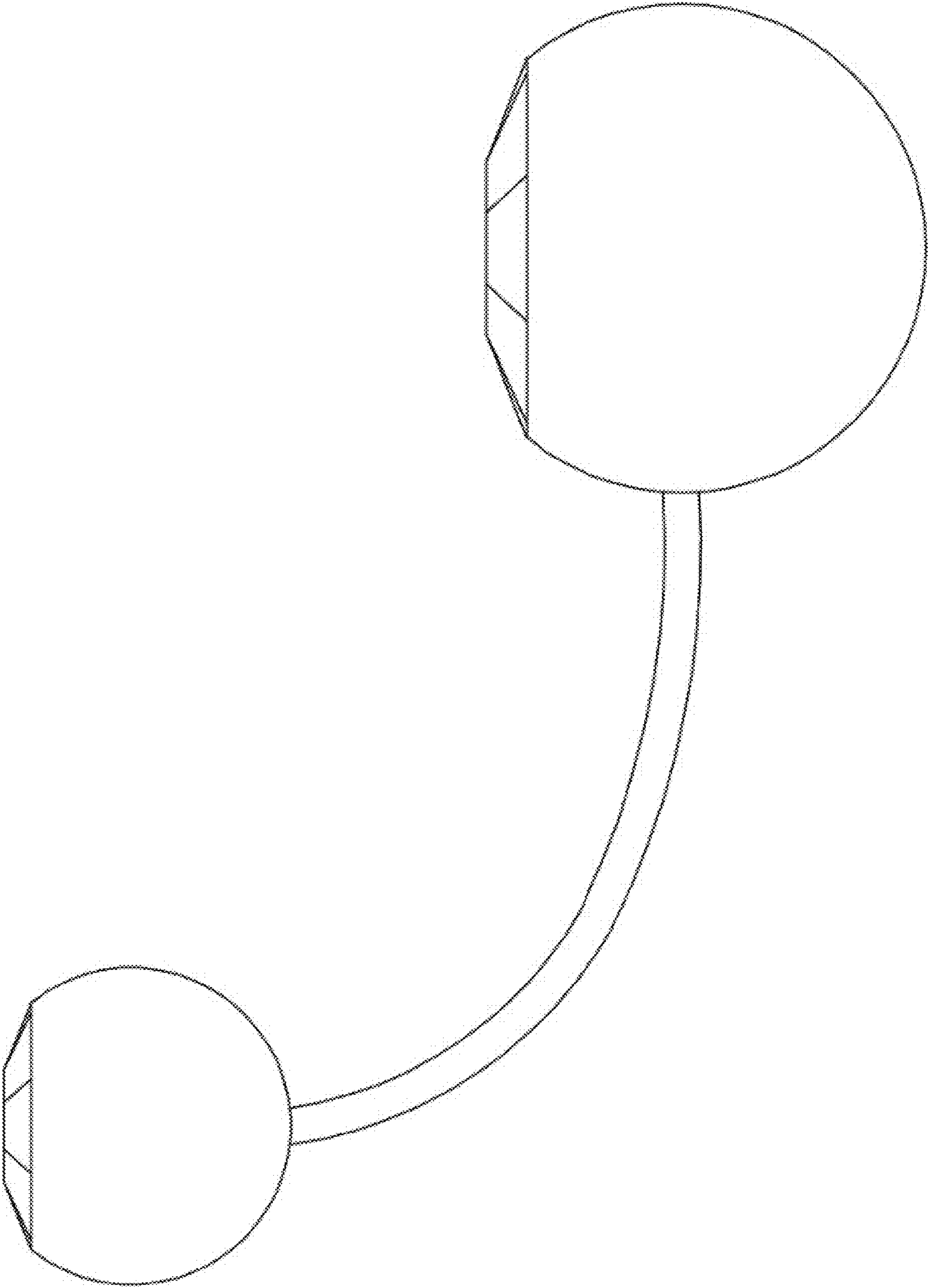


FIG. 4

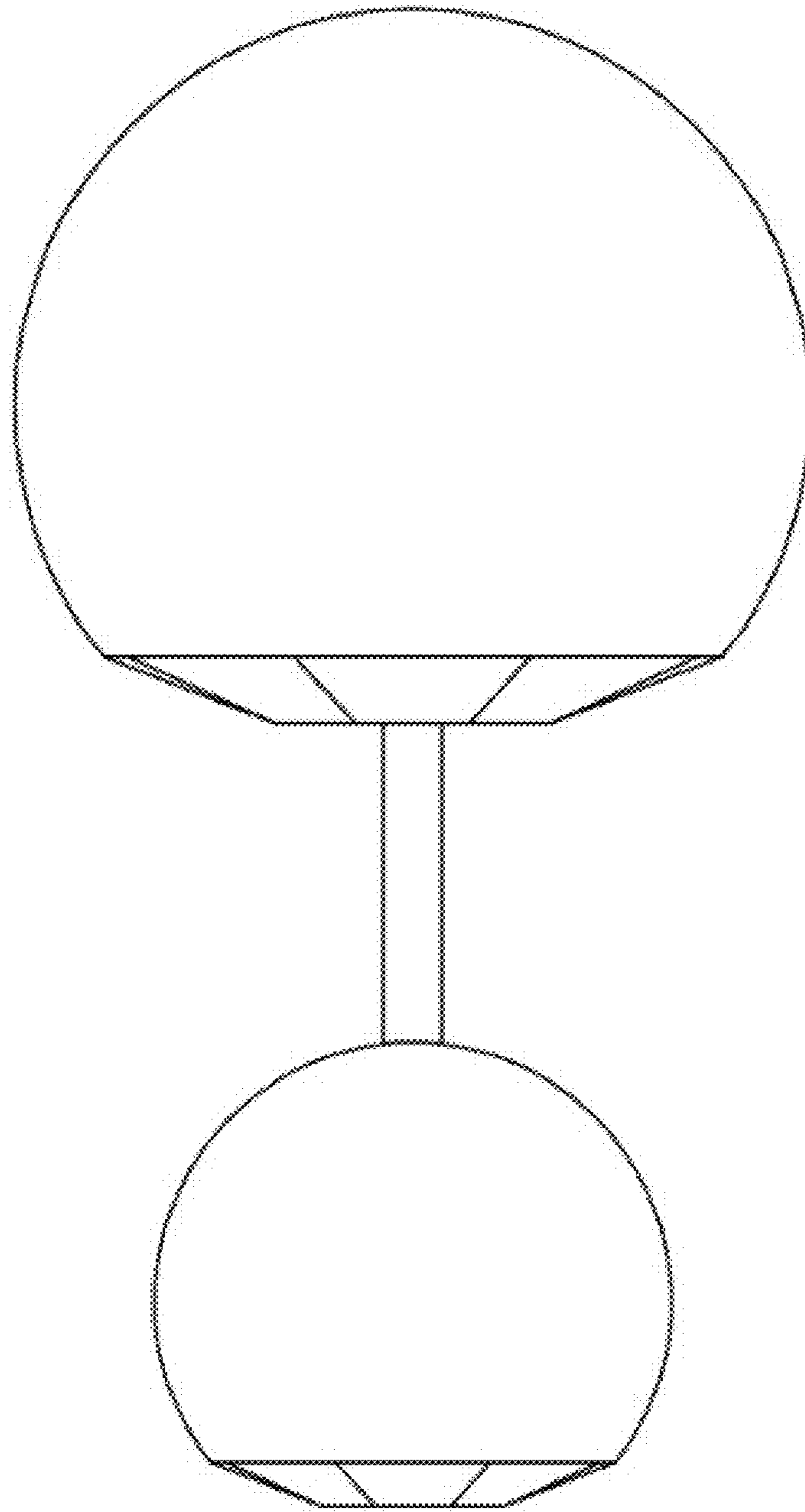


FIG. 5

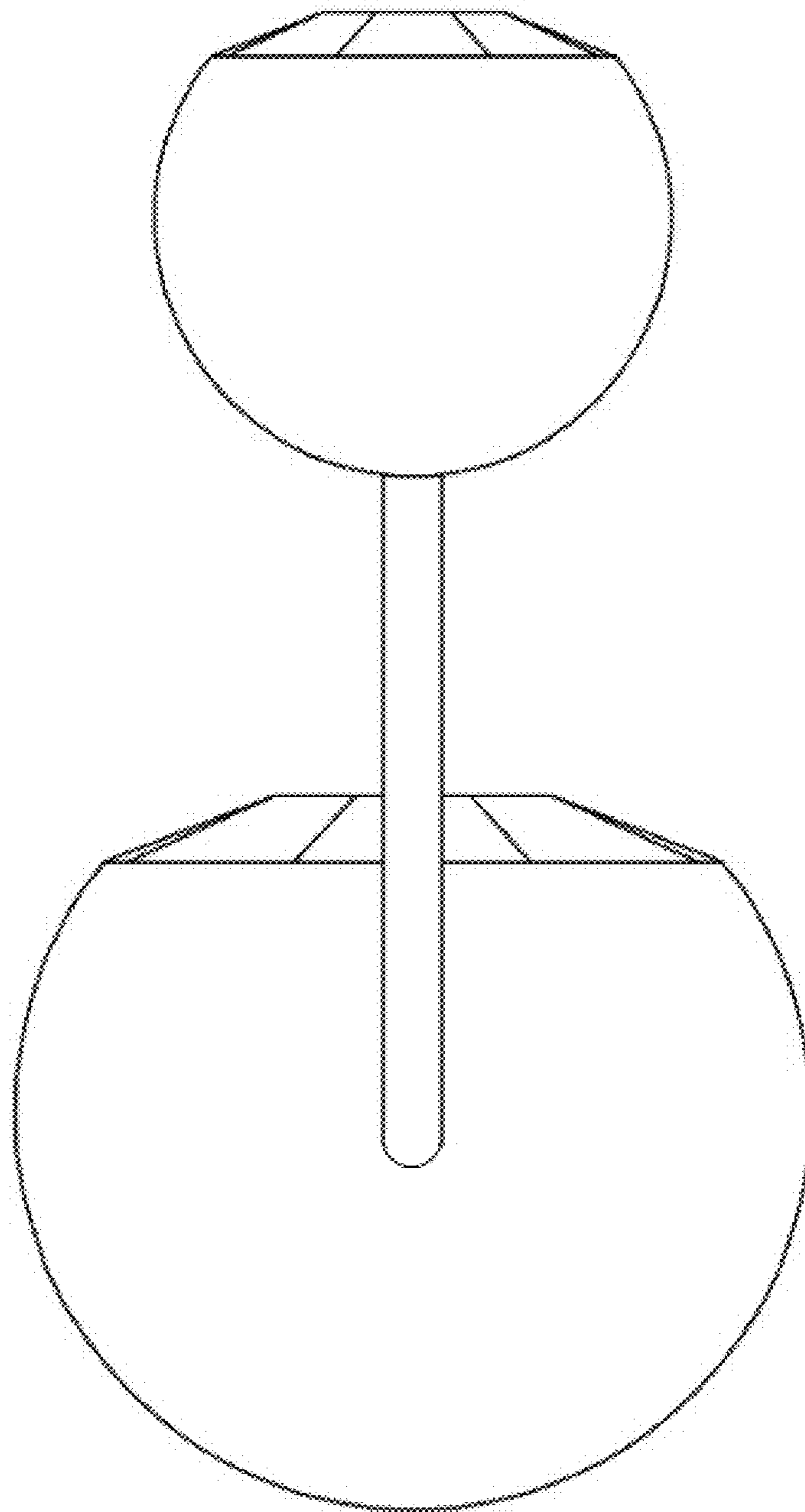


FIG. 6

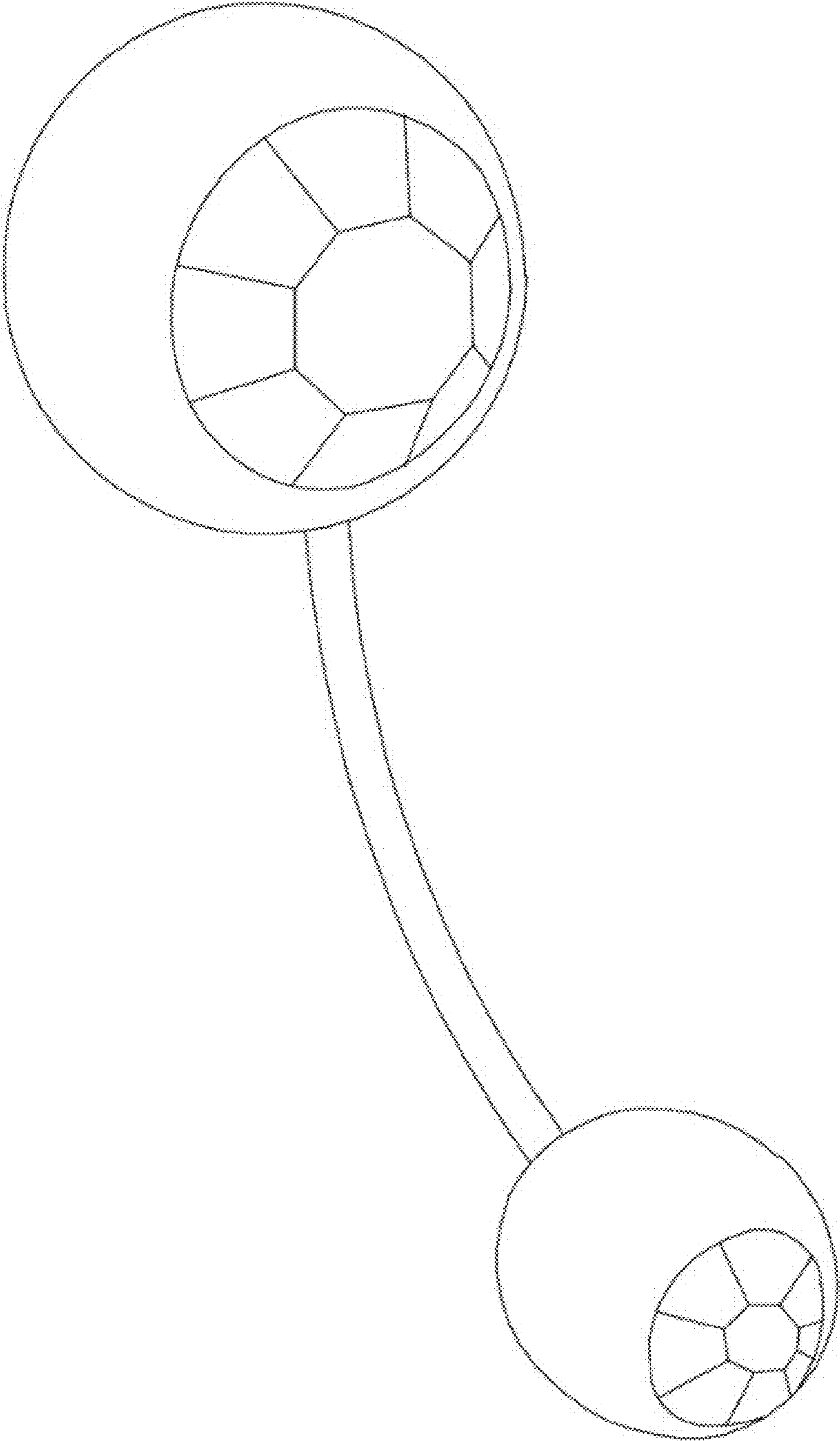


FIG. 7