



US00D876972S

(12) **United States Design Patent**
Yoon et al.

(10) **Patent No.:** **US D876,972 S**
(45) **Date of Patent:** **** Mar. 3, 2020**

(54) **BODY COMPOSITION ANALYZER**

(71) Applicant: **LG ELECTRONICS INC.**, Seoul (KR)

(72) Inventors: **Hyunjin Yoon**, Seoul (KR); **Hophil Lee**, Seoul (KR)

(73) Assignee: **LG ELECTRONICS INC.**, Seoul (KR)

(**) Term: **15 Years**

(21) Appl. No.: **35/506,608**

(22) Filed: **Jul. 27, 2018**

(80) **Hague Agreement Data**

Int. Filing Date: **Jul. 27, 2018**
Int. Reg. No.: **DM/102296**
Int. Reg. Date: **Jul. 27, 2018**
Int. Reg. Pub. Date: **Feb. 1, 2019**

(30) **Foreign Application Priority Data**

Feb. 2, 2018 (KR) 30-2018-0006013

(51) **LOC (12) Cl.** **10-04**

(52) **U.S. Cl.**
USPC **D10/83**

(58) **Field of Classification Search**
USPC D10/91, 92, 83
CPC .. A61B 10/0045; A61B 5/0537; A61B 5/0031
See application file for complete search history.

(56) **References Cited**

U.S. PATENT DOCUMENTS

D293,491 S * 12/1987 Fronske D28/66
6,400,983 B1 * 6/2002 Cha A61B 5/0537
600/547

D546,219 S * 7/2007 Juteau D10/91
D700,092 S * 2/2014 Ogihara D10/92
D700,093 S * 2/2014 Gomez D10/91
D726,566 S * 4/2015 Ogihara D10/92
D731,356 S * 6/2015 Luke D11/207
D737,706 S * 9/2015 Peluso D10/92
D780,436 S * 3/2017 Fraser D3/207
D781,165 S * 3/2017 Rouillac D10/91
D815,967 S * 4/2018 Ramasarma D10/104.1
10,398,529 B2 * 9/2019 Cho A61B 10/0045
2013/0197332 A1 * 8/2013 Lucisano A61B 5/0031
600/345

* cited by examiner

Primary Examiner — George D. Kirschbaum

(74) *Attorney, Agent, or Firm* — Birch, Stewart, Kolasch & Birch, LLP

(57) **CLAIM**

The ornamental design for body composition analyzer, as shown and described.

DESCRIPTION

1. Body composition analyzer

1.1 : Perspective

1.2 : Front

1.3 : Back

1.4 : Left

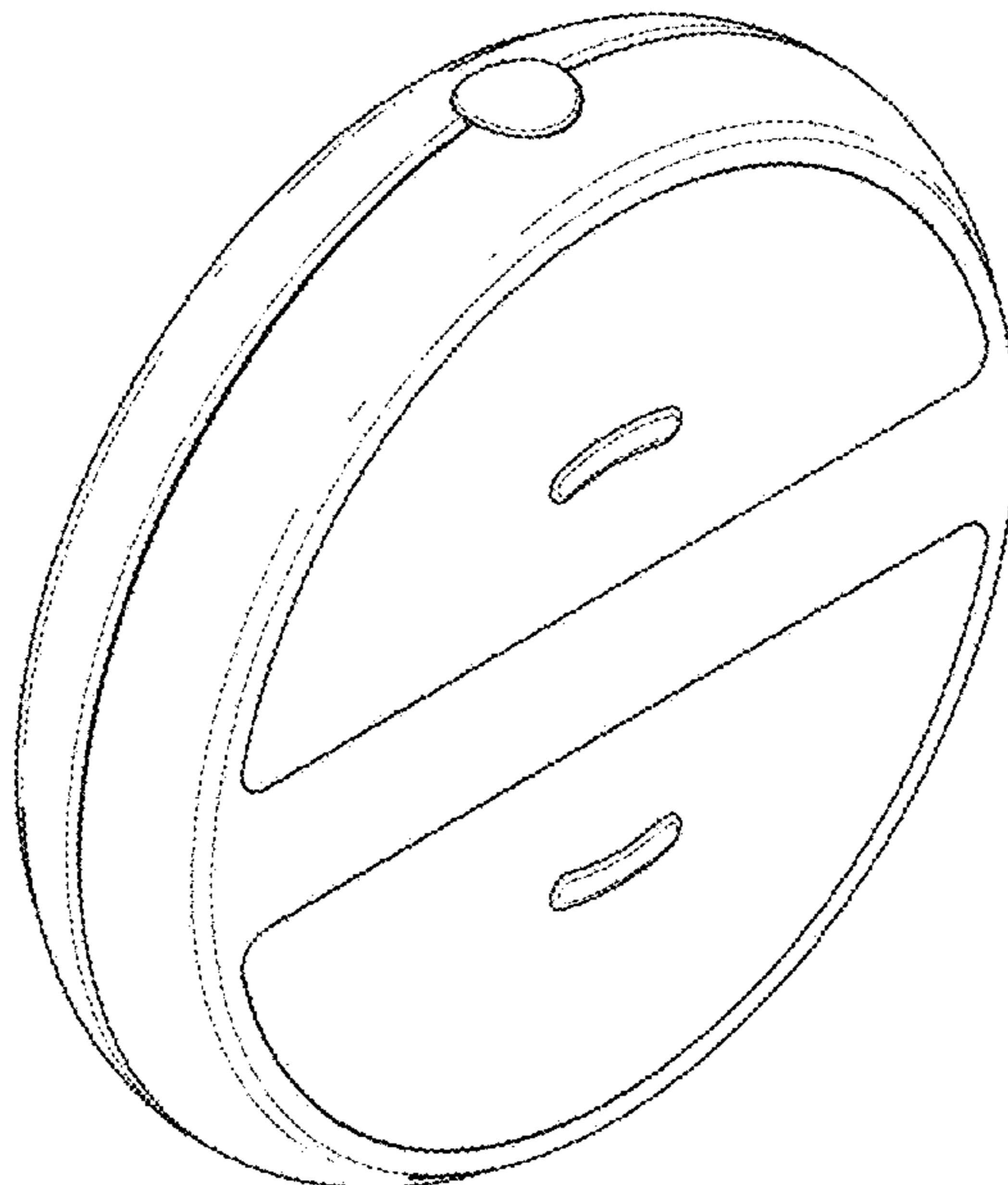
1.5 : Right

1.6 : Top

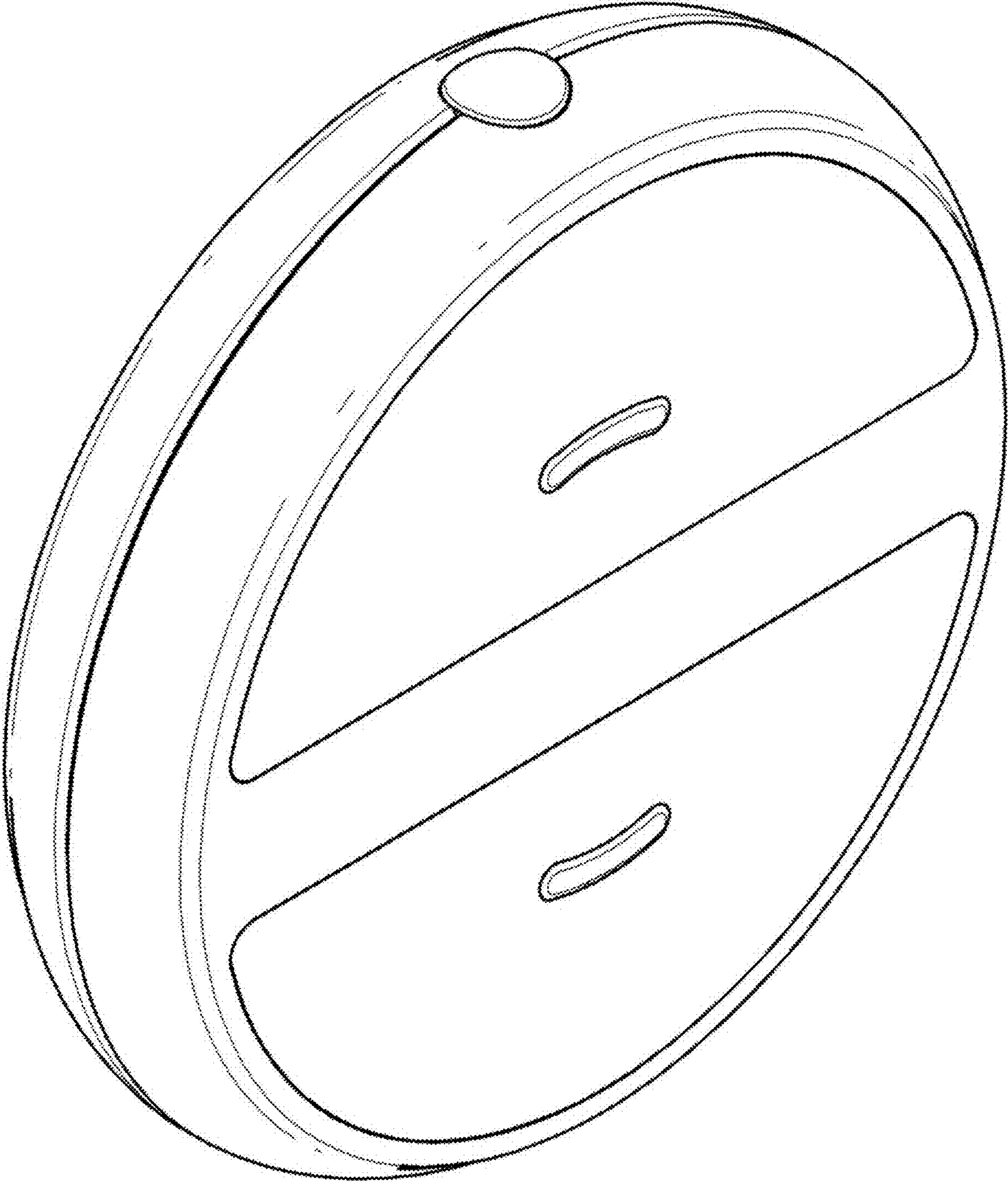
1.7 : Bottom

The broken lines indicate unclaimed portion of the article that form no part of the claimed design.

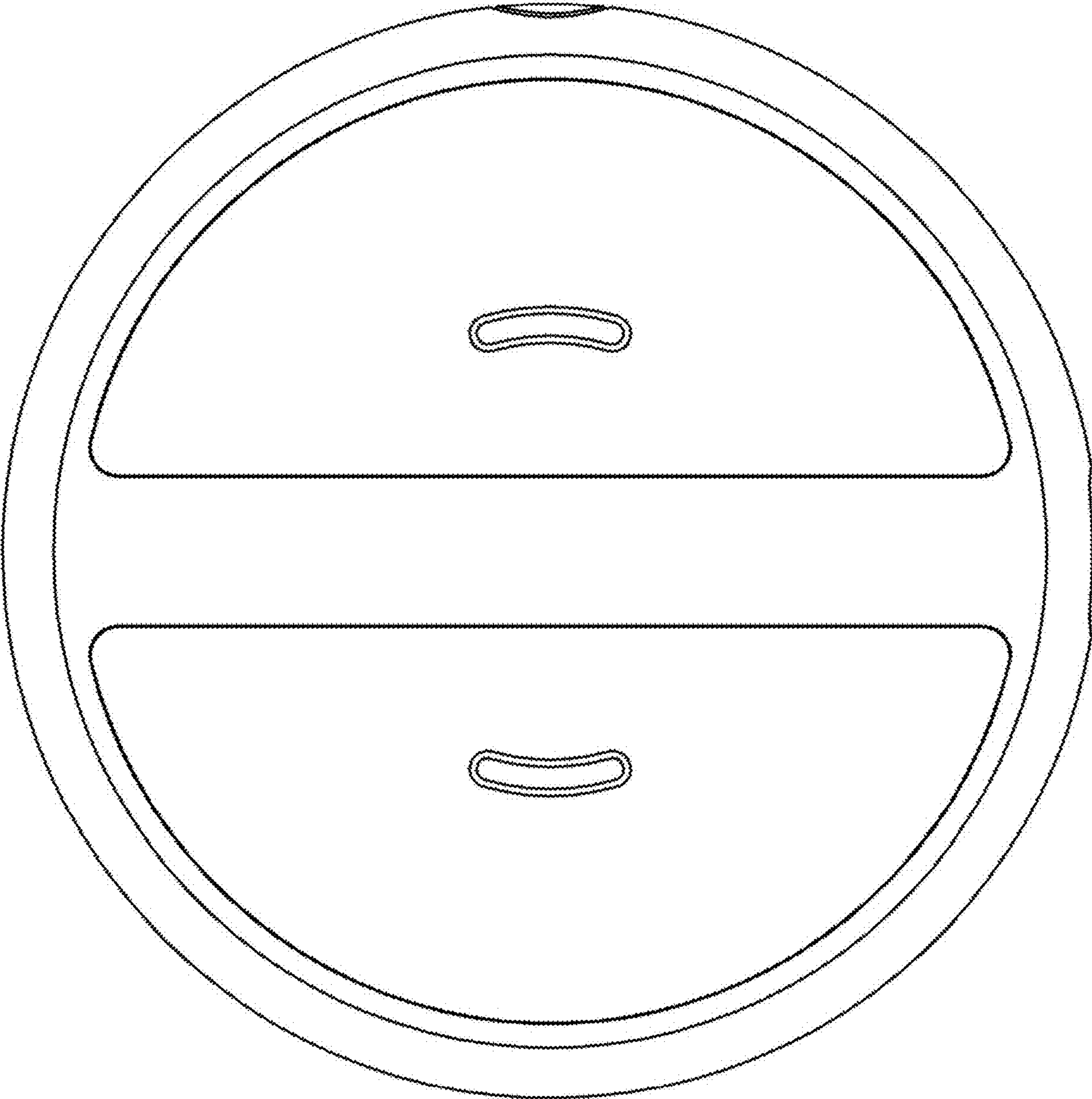
1 Claim, 7 Drawing Sheets



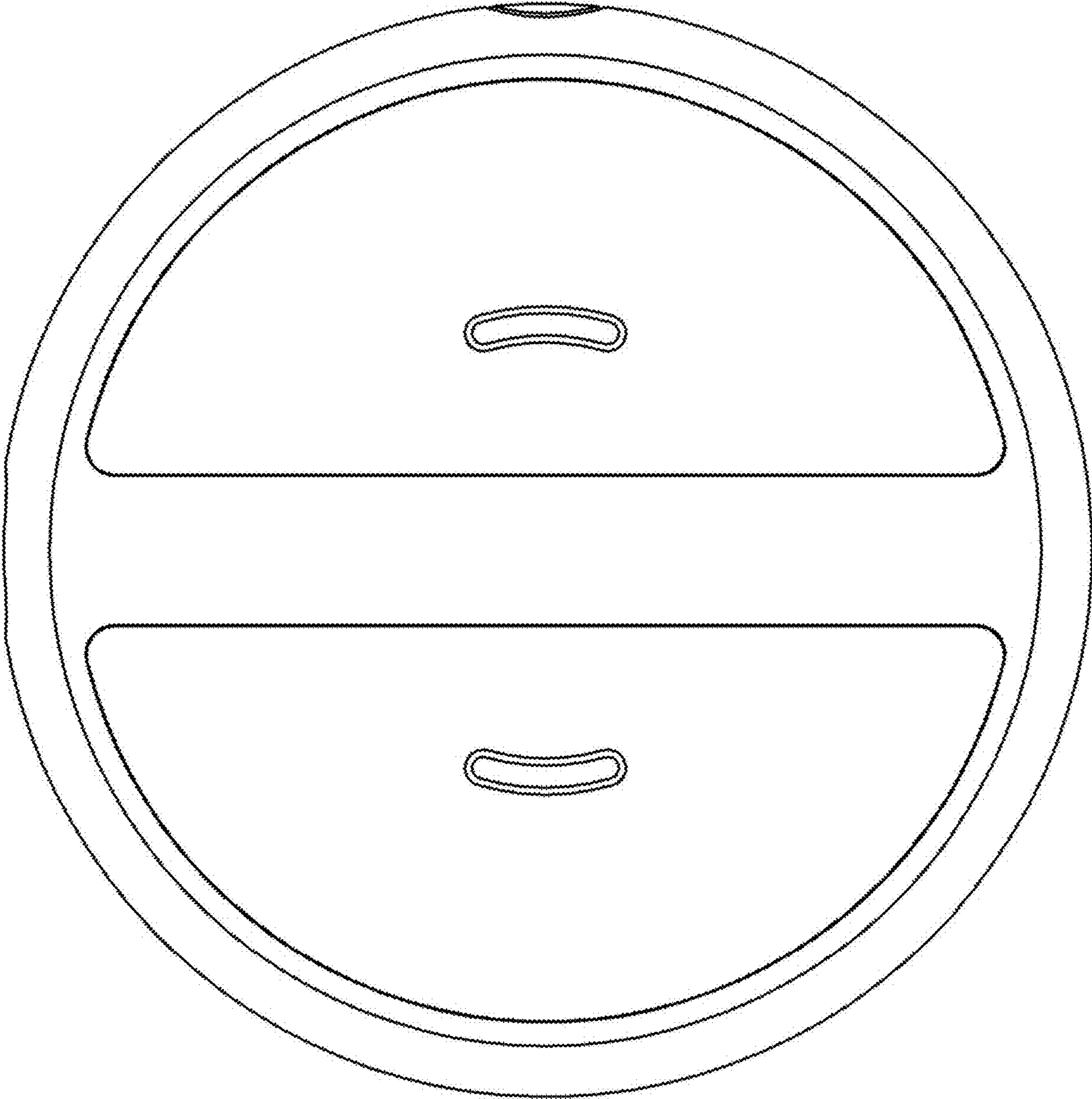
1.1



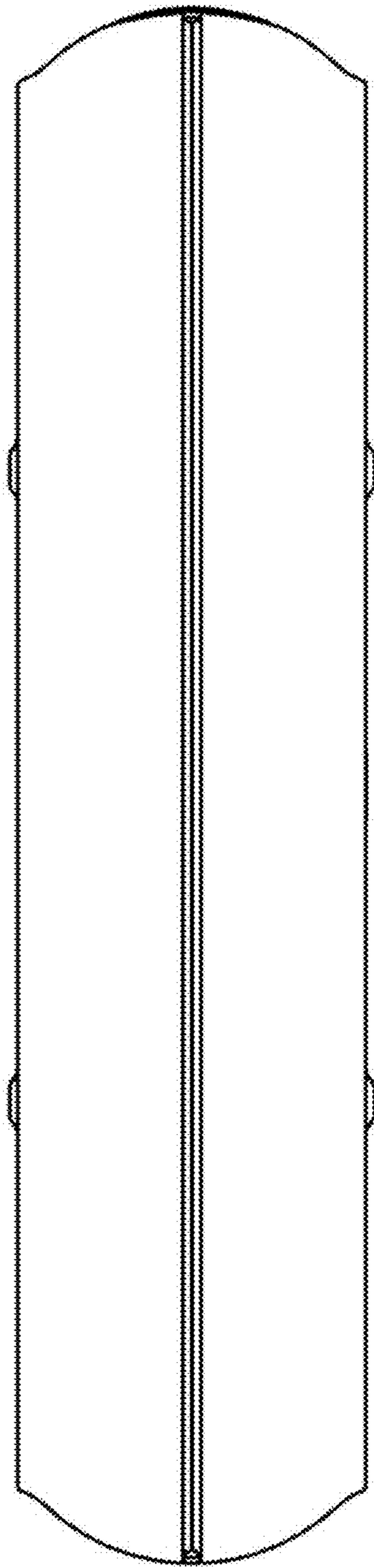
1.2



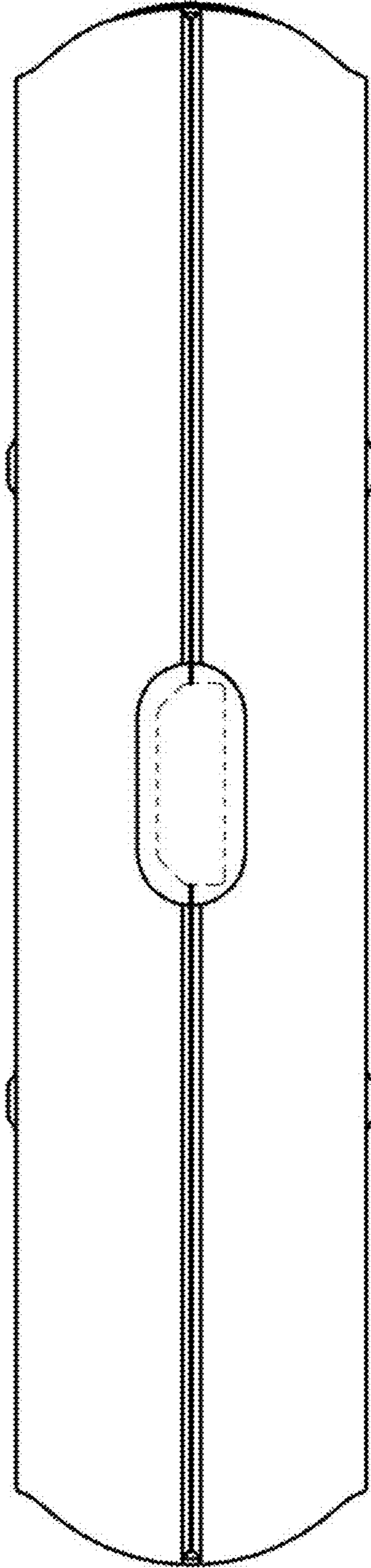
1.3



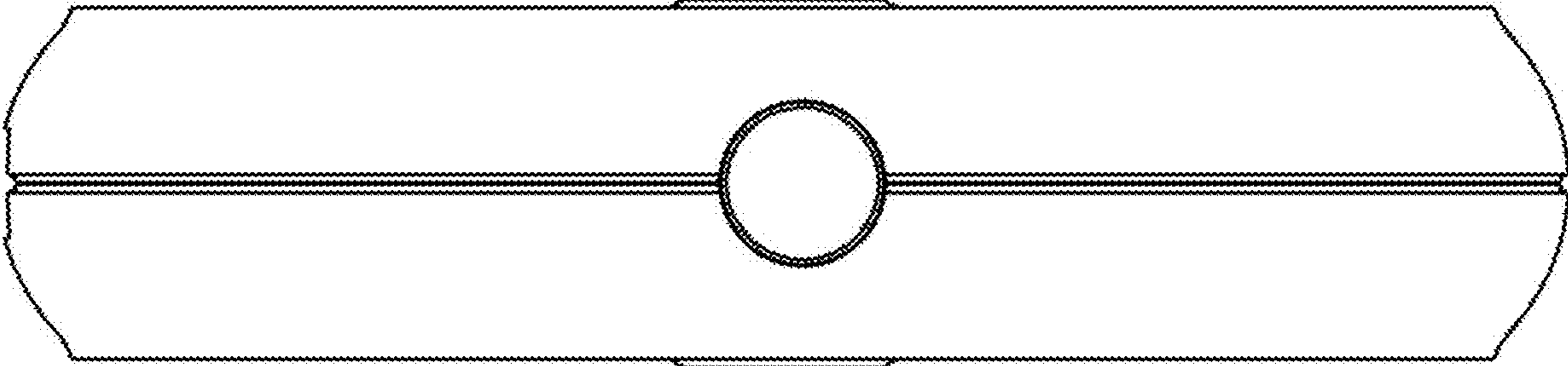
1.4



1.5



1.6



1.7

