



US00D876971S

(12) **United States Design Patent**  
**Ribbich et al.**

(10) **Patent No.:** **US D876,971 S**  
(45) **Date of Patent:** **\*\* Mar. 3, 2020**

(54) **THERMOSTAT**

(71) Applicant: **Johnson Controls Technology Company**, Auburn Hills, MI (US)

(72) Inventors: **Joseph R. Ribbich**, Waukesha, WI (US); **Julio A. Abdala**, SW Ranches, FL (US); **Juan Guillermo Alvarez**, Weston, FL (US); **Felippe M. Bicudo**, Fort Lauderdale, FL (US); **Vinosh C. Diptee**, Boynton Beach, FL (US); **Patricia Ellis Douglass**, Pompano Beach, FL (US); **Hao A. Nguyen**, Lake Worth, FL (US); **Claudio Santiago Ribeiro**, Evanston, IL (US); **Amit Verma**, Sunrise, FL (US)

(73) Assignee: **Johnson Controls Technology Company**, Auburn Hills, MI (US)

(\*\*) Term: **15 Years**

(21) Appl. No.: **29/680,613**

(22) Filed: **Feb. 18, 2019**

**Related U.S. Application Data**

(60) Continuation of application No. 29/618,404, filed on Sep. 21, 2017, now Pat. No. Des. 843,247, which is (Continued)

(51) **LOC (12) Cl.** ..... **10-04**

(52) **U.S. Cl.**  
USPC ..... **D10/60**

(58) **Field of Classification Search**  
USPC ..... D10/49, 50, 60  
CPC . F23N 5/20; F23N 5/203; F23N 5/206; F23N 5/18; F23N 5/184; F23N 5/187; F23N 5/22; F23N 2025/12; F23N 2041/02; F24F 11/00; F24F 11/0012; F24F 11/0009; F24F 11/001; F24F 2011/0057; F24F 2011/0073; F24F 2011/0091; F24F

2011/0094; F24F 2011/0068; F24F 2011/0012; F24F 2011/0015; F24F 2011/0017; F21V 11/16; F21V 33/10; G05B 19/042; G05D 23/01;  
(Continued)

(56) **References Cited**

U.S. PATENT DOCUMENTS

D255,013 S \* 5/1980 O'Brien ..... D10/60  
D290,818 S \* 7/1987 Tomozawa ..... D10/40  
(Continued)

OTHER PUBLICATIONS

QM weather. on Behance, available at <https://www.behance.net/gallery/55044047/QM-weather>, published on Jul. 24, 2017, downloaded on Jan. 1, 2019.

*Primary Examiner* — Antoine D Davis

(74) *Attorney, Agent, or Firm* — Foley & Lardner LLP

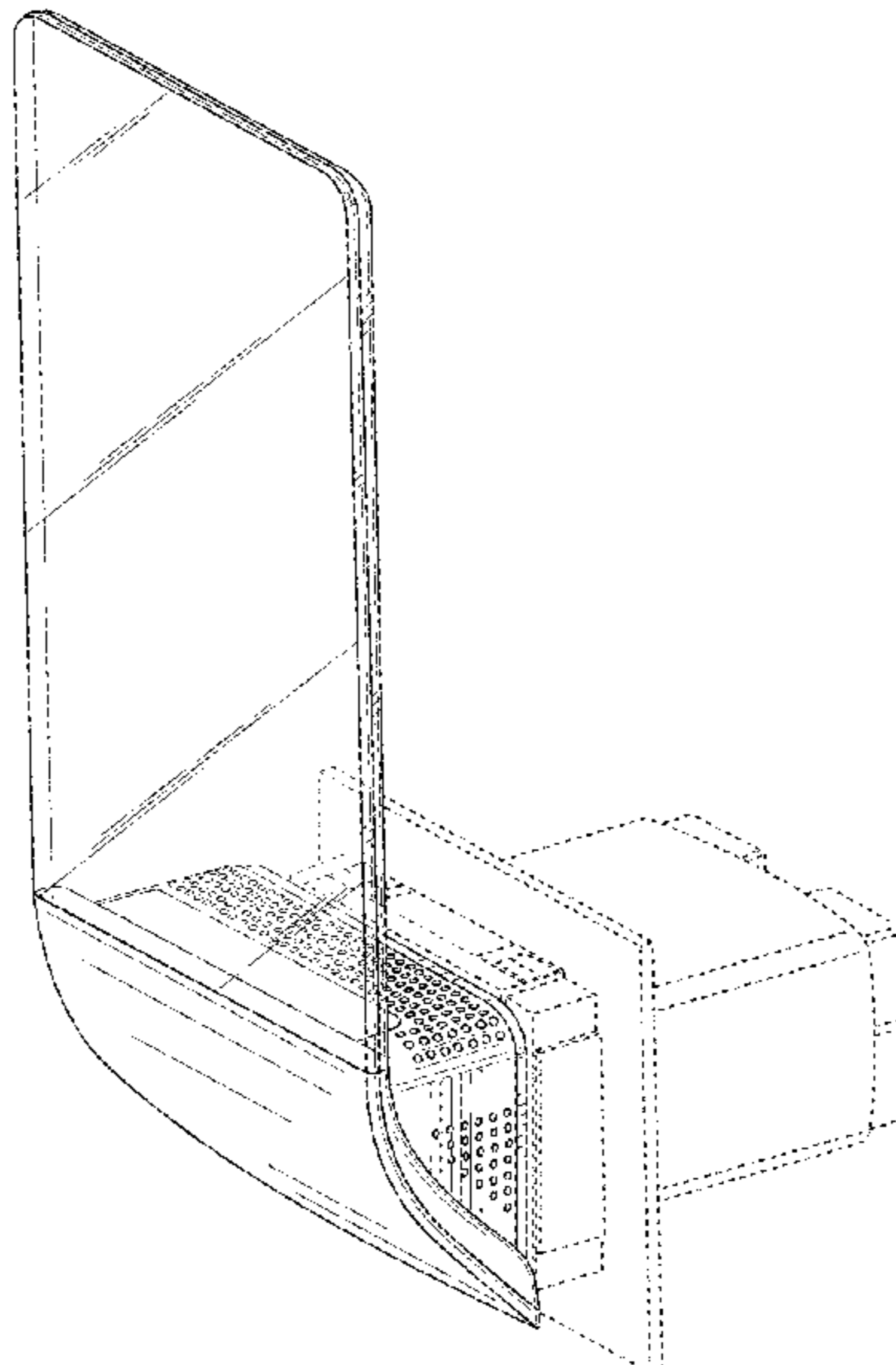
(57) **CLAIM**

We claim the ornamental design for a thermostat, as shown and described.

**DESCRIPTION**

FIG. 1 is a front perspective view from above of the claimed design for a thermostat;  
FIG. 2 is a front side view of the claimed design of FIG. 1;  
FIG. 3 is a rear side view of the claimed design of FIG. 1;  
FIG. 4 is a right side view of the claimed design of FIG. 1;  
FIG. 5 is a left side view of the claimed design of FIG. 1;  
FIG. 6 is a top view of the claimed design of FIG. 1; and  
FIG. 7 is a bottom view of the claimed design of FIG. 1.  
The broken lines in the drawings form no part of the claimed design. Oblique lines represent transparent or semi-transparent portions of the claimed design.

**1 Claim, 7 Drawing Sheets**



**Related U.S. Application Data**

a division of application No. 29/563,447, filed on May 4, 2016, now Pat. No. Des. 810,591, which is a continuation-in-part of application No. 29/548,334, filed on Dec. 11, 2015, now Pat. No. Des. 790,369.

(58) **Field of Classification Search**

CPC .. G05D 23/12; G05D 23/275; G05D 23/1902; G05D 23/1904; G05D 23/27502; G05D 23/27503; G05D 23/1919; G05D 23/19; G05D 23/2723; G05D 23/00; G09F 13/22; G09F 9/53; G06F 1/1684; G06F 1/30; G06F 3/0362; G06F 3/038; H05B 33/0854; H05B 37/0218; H05K 5/0017; H05K 5/0243; H05K 5/00; H05K 5/03; H04M 2250/12; H04M 2250/22

See application file for complete search history.

(56) **References Cited**

U.S. PATENT DOCUMENTS

D506,150 S 6/2005 Backlund et al.  
 D506,687 S 6/2005 Takach et al.  
 D506,689 S 6/2005 Backlund et al.  
 D509,151 S 9/2005 Takach et al.  
 D520,386 S 5/2006 Takach et al.  
 D520,885 S 5/2006 Takach et al.  
 D524,663 S 7/2006 Moore  
 D525,154 S 7/2006 Moore  
 D525,541 S 7/2006 Barton et al.  
 D527,288 S 8/2006 Moore  
 D527,658 S 9/2006 Moore  
 D530,633 S 10/2006 Moore  
 D531,526 S 11/2006 Barton et al.  
 D531,527 S 11/2006 Moore  
 D531,528 S 11/2006 Moore  
 D533,793 S 12/2006 Moore  
 D534,088 S 12/2006 Moore  
 D534,443 S 1/2007 Moore  
 D535,572 S 1/2007 Takach et al.  
 D535,573 S 1/2007 Barton et al.  
 D536,271 S 2/2007 Moore  
 D541,184 S 4/2007 Barton et al.  
 D542,677 S 5/2007 Barton et al.  
 D551,577 S 9/2007 Barton et al.  
 D553,022 S 10/2007 McGuire et al.  
 D556,060 S 11/2007 McGuire et al.  
 D556,607 S 12/2007 Beland et al.  
 D556,608 S 12/2007 Rhodes  
 D556,609 S 12/2007 Rhodes  
 RE40,190 E 4/2008 Takach et al.  
 D578,026 S 10/2008 Roher et al.

D580,801 S 11/2008 Takach et al.  
 D582,800 S 12/2008 Comerford et al.  
 D582,801 S 12/2008 Comerford et al.  
 D582,802 S 12/2008 Branson et al.  
 D582,803 S 12/2008 Comerford et al.  
 D589,822 S 4/2009 Rhodes  
 D590,730 S 4/2009 Simard et al.  
 D596,964 S 7/2009 Wang et al.  
 D610,027 S 2/2010 Li et al.  
 D621,897 S 8/2010 Churchill et al.  
 D646,990 S 10/2011 Rhodes  
 D655,210 S 3/2012 Narayanamurthy et al.  
 D659,560 S 5/2012 Rhodes  
 D662,837 S 7/2012 Morrow  
 D662,838 S 7/2012 Morrow  
 D662,839 S 7/2012 Morrow  
 D662,840 S 7/2012 Morrow  
 D663,224 S 7/2012 Morrow  
 D666,508 S 9/2012 Beland et al.  
 D666,509 S 9/2012 Beland et al.  
 D666,510 S 9/2012 Beland et al.  
 D667,740 S 9/2012 Leung  
 D672,666 S 12/2012 Rhodes et al.  
 D678,084 S 3/2013 Beland et al.  
 D688,955 S 9/2013 Deligiannis et al.  
 D699,130 S 2/2014 Rhodes et al.  
 D705,095 S 5/2014 Steinberg et al.  
 D715,165 S 10/2014 Deligiannis et al.  
 D715,166 S 10/2014 Rhodes  
 D720,633 S 1/2015 Novotny et al.  
 D725,524 S 3/2015 Takach et al.  
 D737,153 S 8/2015 Lombard et al.  
 D750,980 S 3/2016 Takach et al.  
 D790,369 S 6/2017 Sinha et al.  
 D795,716 S 8/2017 Aburatani  
 D805,414 S 12/2017 Pennebaker, III  
 D810,591 S 2/2018 Ribbich et al.  
 9,890,971 B2 2/2018 Ribbich et al.  
 9,964,328 B2 5/2018 Ribbich et al.  
 D821,897 S \* 7/2018 Sinha ..... D10/60  
 D826,756 S 8/2018 Huang  
 10,162,327 B2 12/2018 Sinha et al.  
 2016/0327298 A1 11/2016 Sinha et al.  
 2016/0327299 A1\* 11/2016 Ribbich ..... F24F 11/30  
 2016/0327301 A1 11/2016 Ribbich et al.  
 2016/0327921 A1 11/2016 Ribbich et al.  
 2017/0122613 A1 5/2017 Sinha et al.  
 2017/0122617 A1 5/2017 Sinha et al.  
 2017/0123391 A1 5/2017 Sinha et al.  
 2017/0124838 A1 5/2017 Sinha et al.  
 2017/0124842 A1 5/2017 Sinha et al.  
 2017/0234562 A1\* 8/2017 Ribbich ..... G05D 23/1923  
 700/277

\* cited by examiner

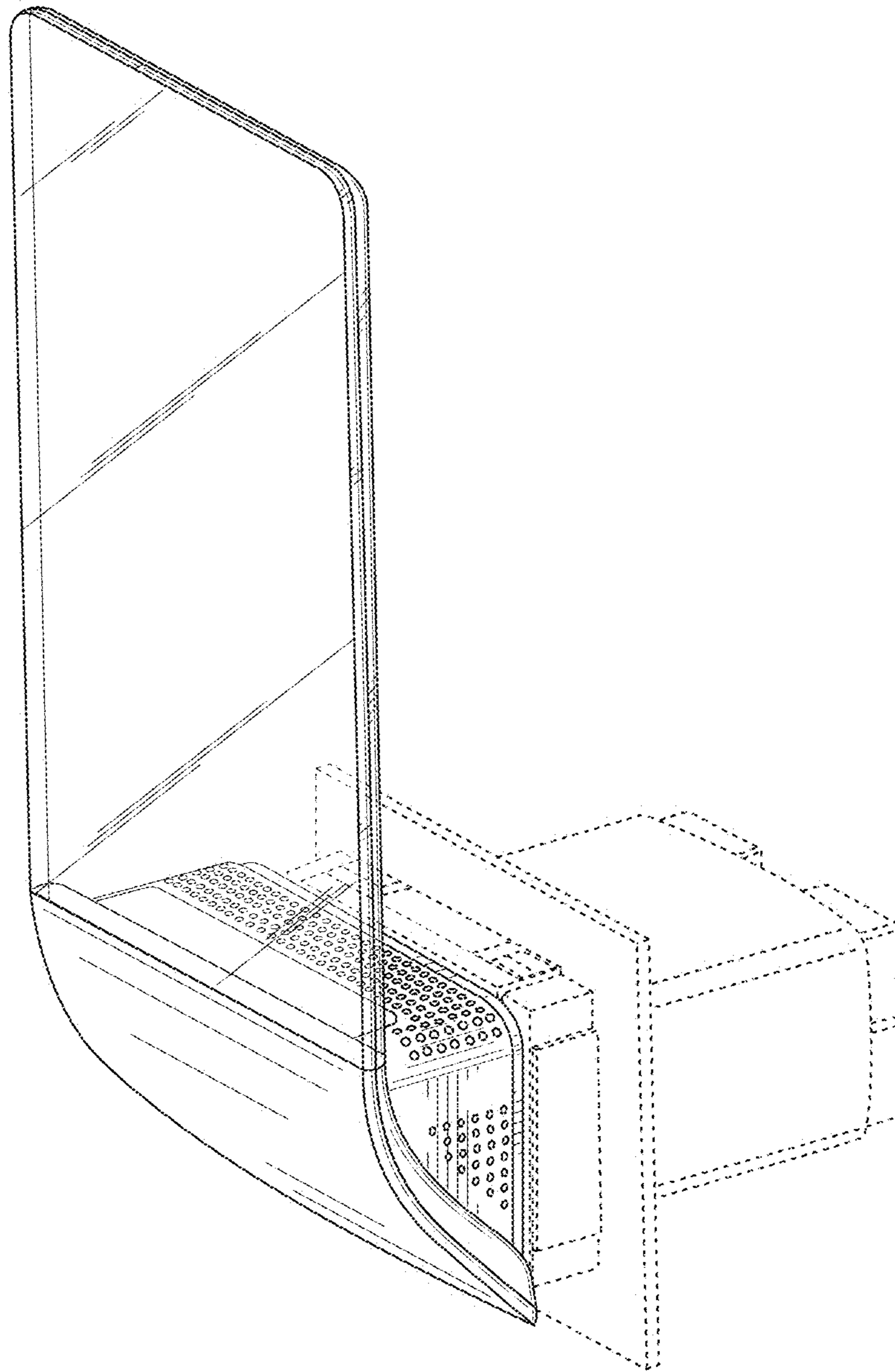


FIG. 1



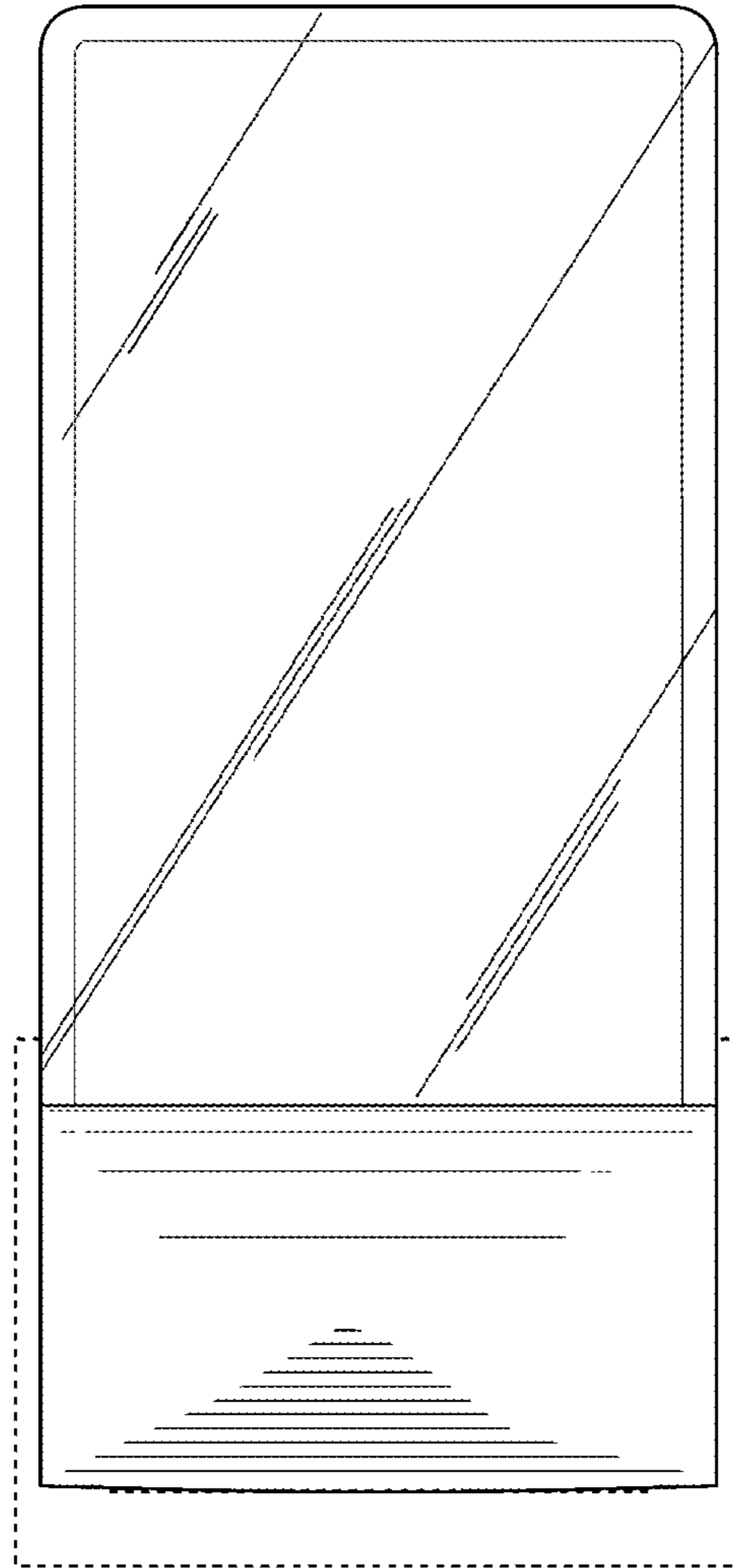


FIG. 2

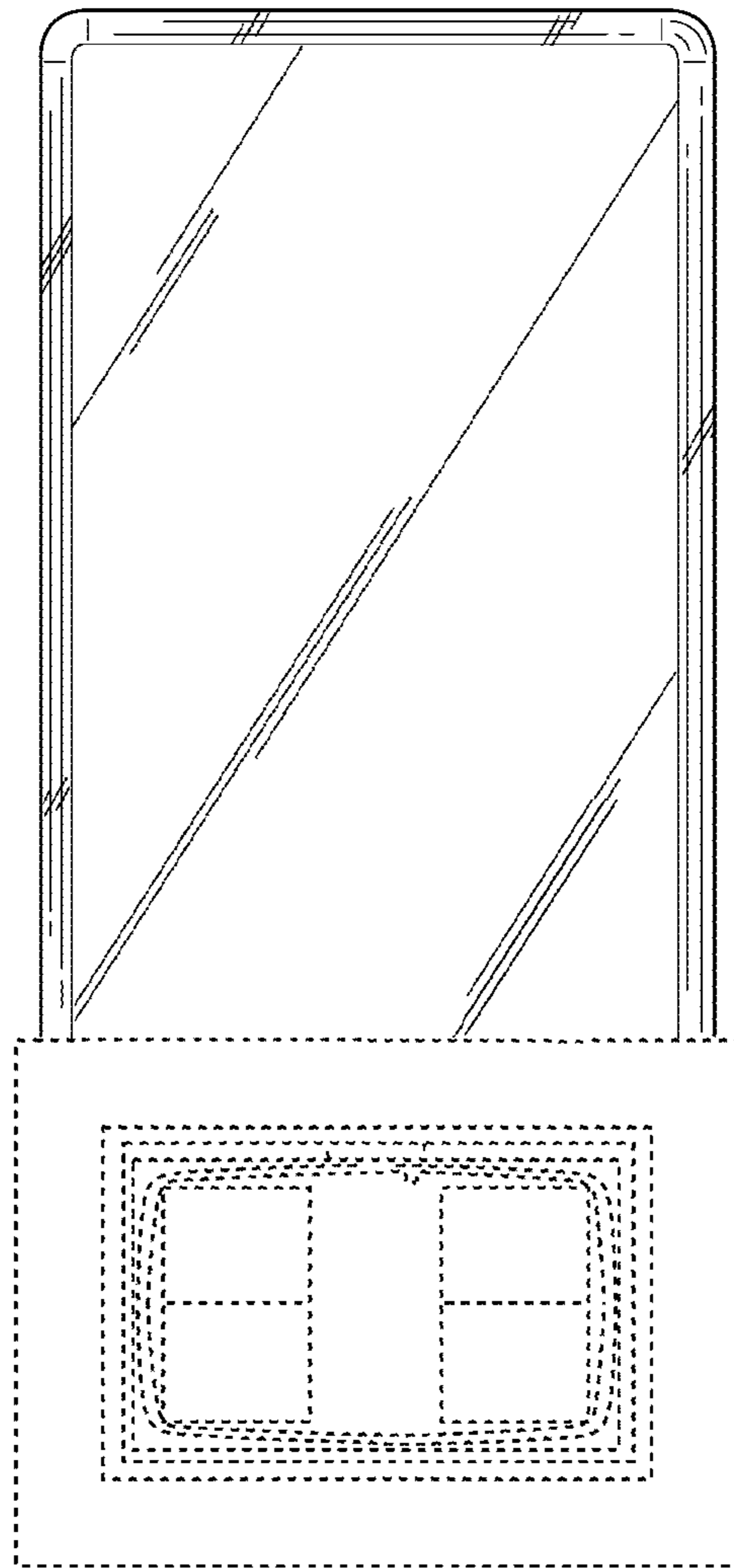
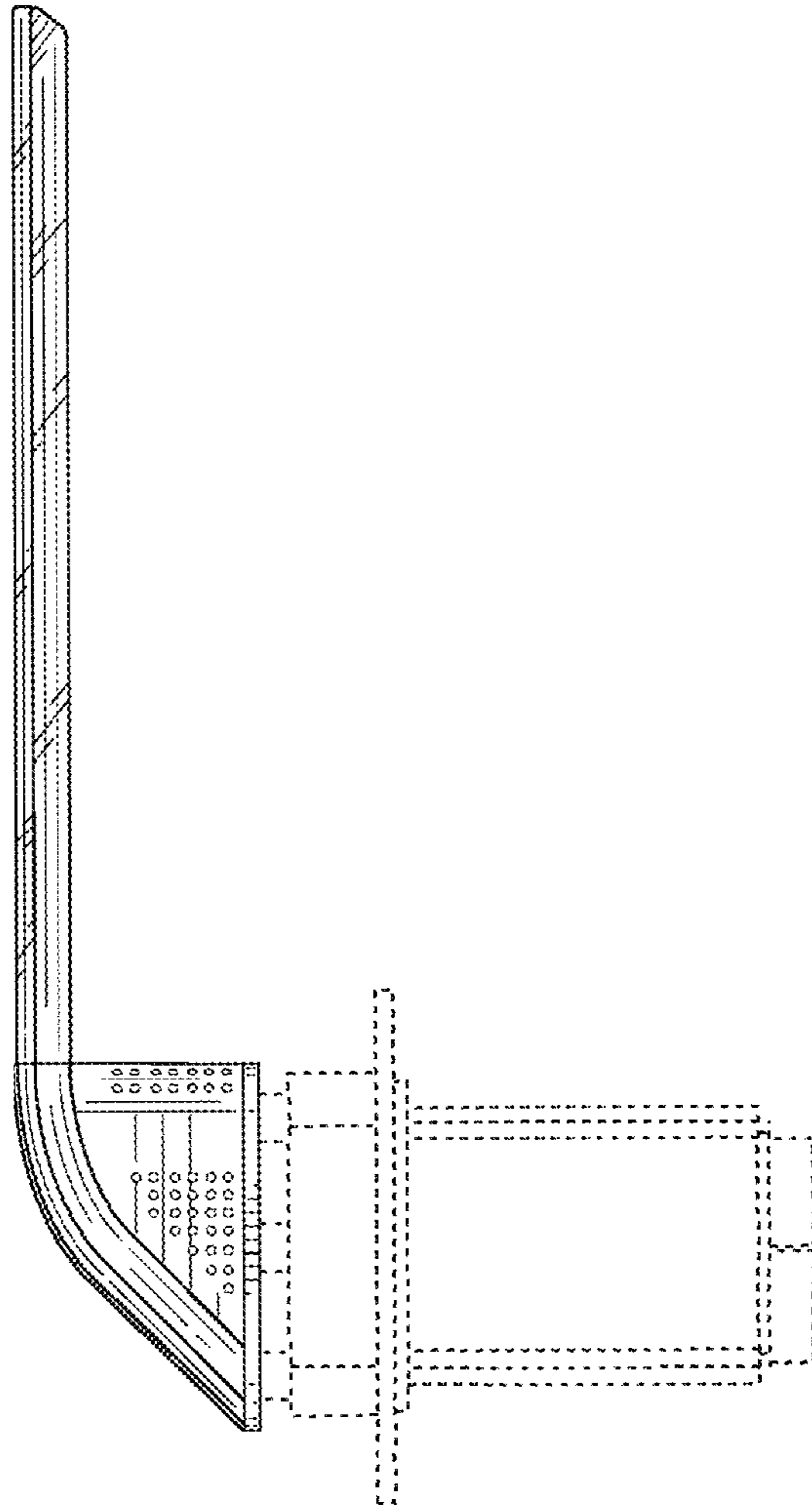


FIG. 3



**FIG. 4**

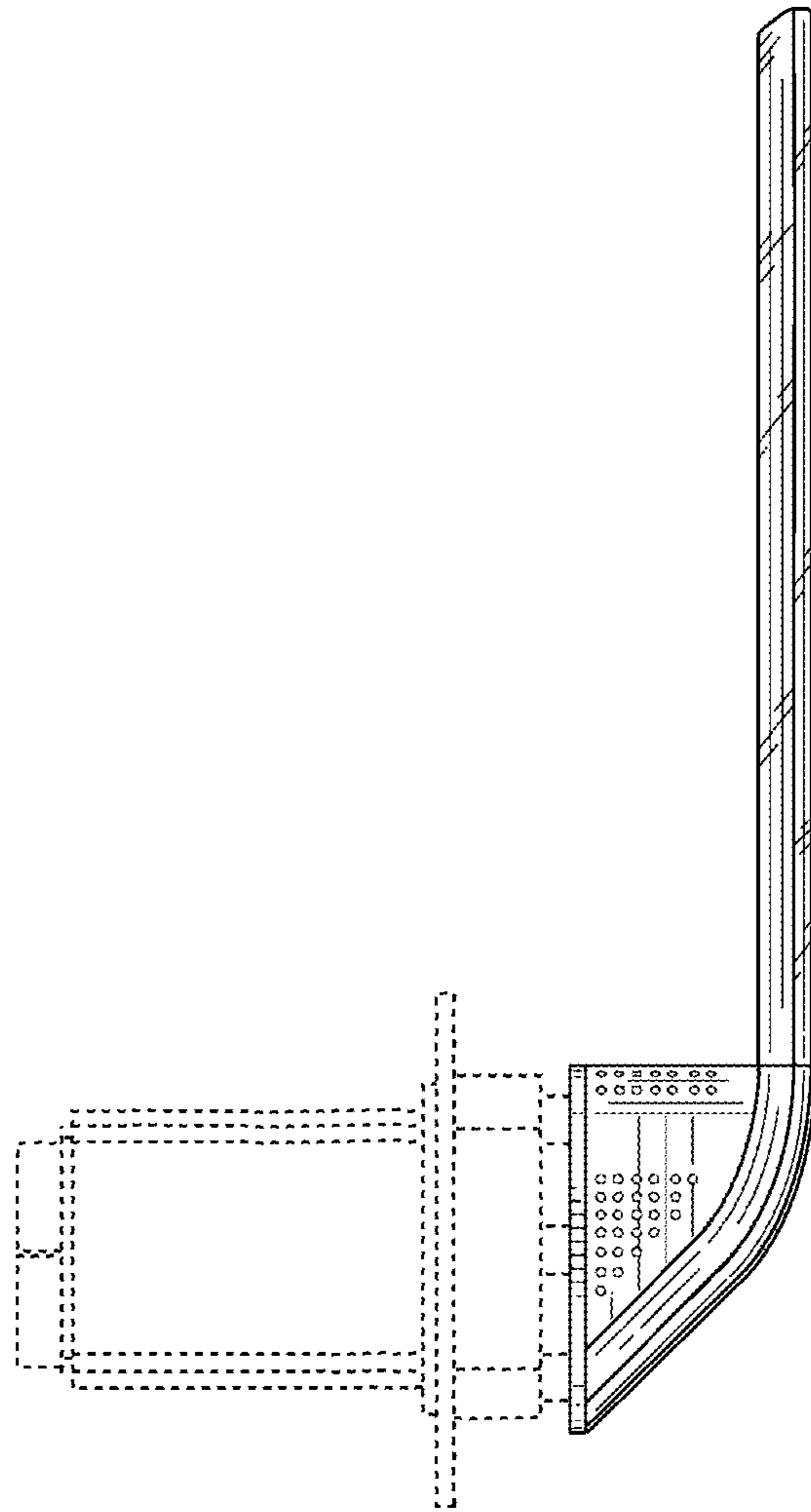


FIG. 5

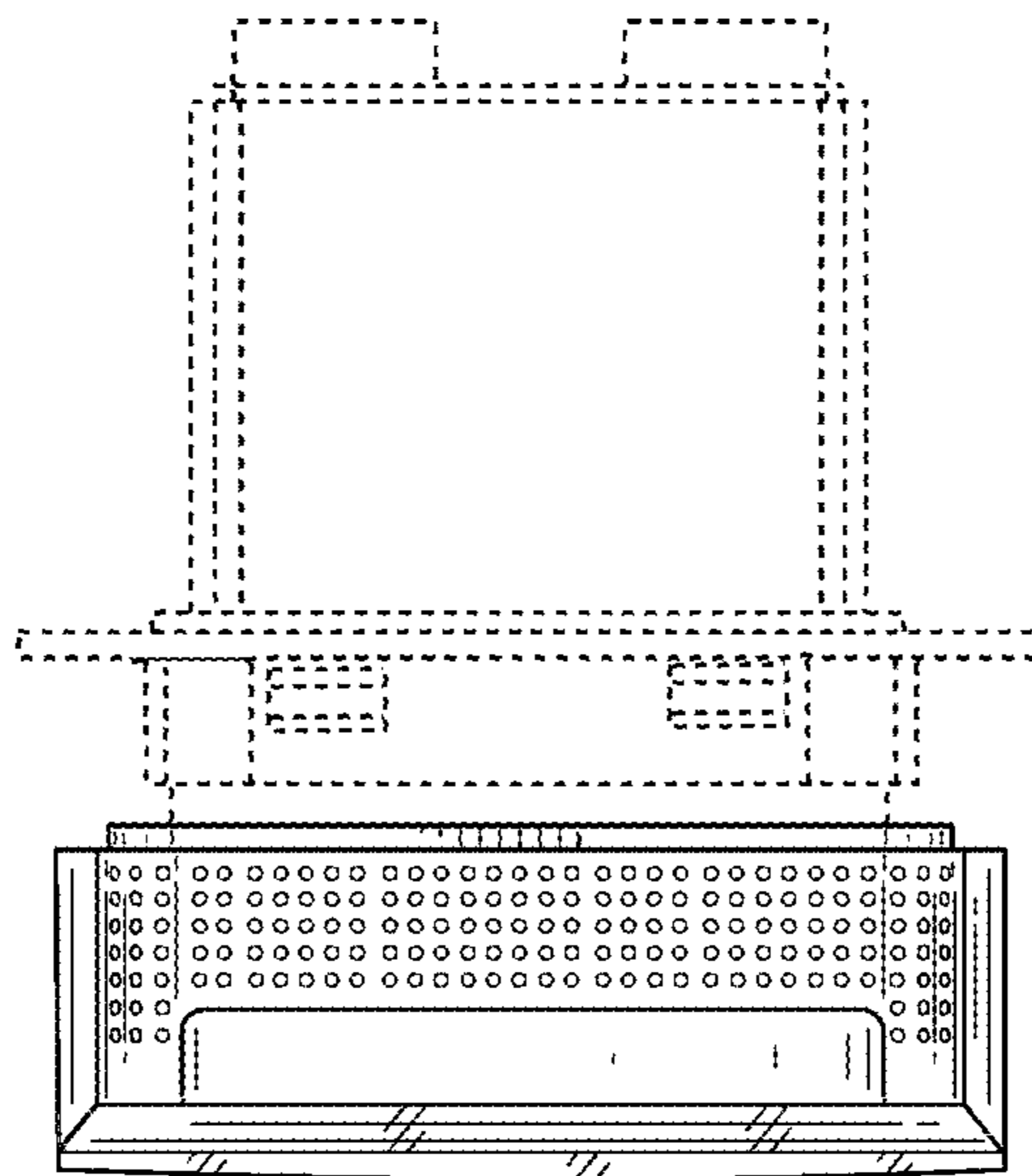
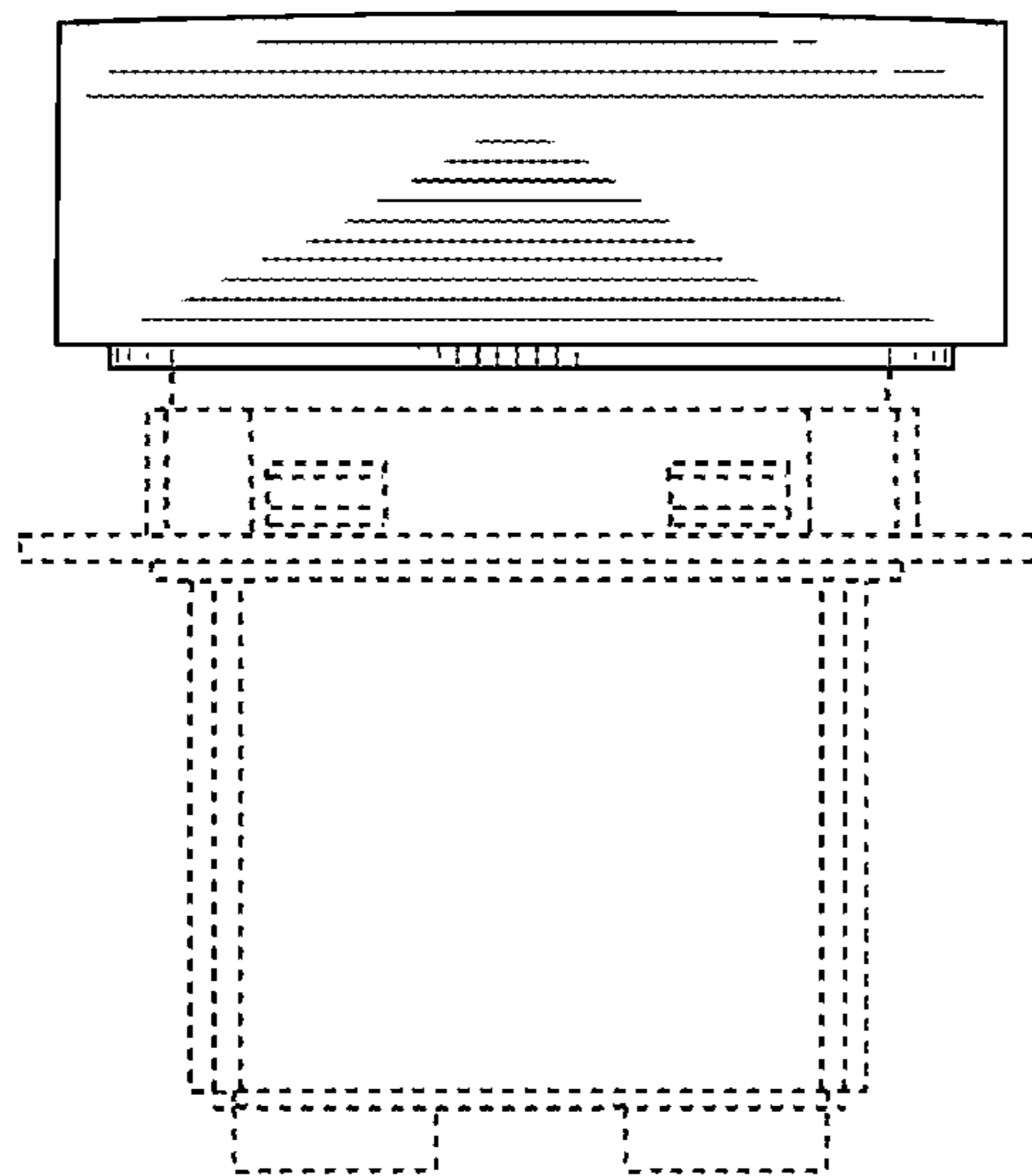


FIG. 6





**FIG. 7**