



US00D876970S

(12) **United States Design Patent** (10) **Patent No.:** **US D876,970 S**
Duck (45) **Date of Patent:** **** Mar. 3, 2020**

(54) **WEARABLE ADHESIVE THERMOMETER**
(71) Applicant: **Medline Industries, Inc.**, Mudelein, IL (US)
(72) Inventor: **Benjamin Duck**, McHenry, IL (US)
(73) Assignee: **MEDLINE INDUSTRIES, INC.**, Mundelein, IL (US)
(**) Term: **15 Years**
(21) Appl. No.: **29/684,262**
(22) Filed: **Mar. 19, 2019**

4,198,861 A 4/1980 Luk
4,232,684 A 11/1980 Chervitz
4,302,971 A 12/1981 Luk
4,509,533 A 4/1985 Chervitz
D279,963 S * 8/1985 Tanaka D10/123
4,952,033 A 8/1990 Davis
5,058,999 A 10/1991 Davis
5,124,819 A 6/1992 Davis
D374,629 S * 10/1996 Taylor D10/57
7,080,939 B1 * 7/2006 Fair G01K 3/04
116/216
D544,300 S * 6/2007 Tien D7/510
D567,120 S 4/2008 Merchant
D714,666 S 10/2014 Abood et al.
(Continued)

FOREIGN PATENT DOCUMENTS

EP 0018424 11/1980

Primary Examiner — Antoine Duval Davis
(74) *Attorney, Agent, or Firm* — McAndrews, Held & Malloy, Ltd.

Related U.S. Application Data

(63) Continuation of application No. 29/623,271, filed on Oct. 24, 2017, now Pat. No. Des. 843,241.
(51) **LOC (12) Cl.** **10-04**
(52) **U.S. Cl.**
USPC **D10/57**
(58) **Field of Classification Search**
USPC D10/57, 58
CPC G01K 11/12; G01K 11/125; G01K 11/14;
G01K 11/16; G01K 11/165; G01K 11/18;
A61N 1/0472; A61N 1/0476; A61N 1/048;
A61N 1/0484; A61N 1/0488;
A61N 1/0492; A61N 1/0496; A61N 1/37;
A61N 1/3702; A61N 1/3704; A61N 1/3706;
A61N 1/3708; A61N 1/371; A61N 1/3712;
A61N 1/3714; A61N 1/3716; A61N 1/3718
See application file for complete search history.

(57) **CLAIM**

The ornamental design for a wearable adhesive thermometer, as shown and described.

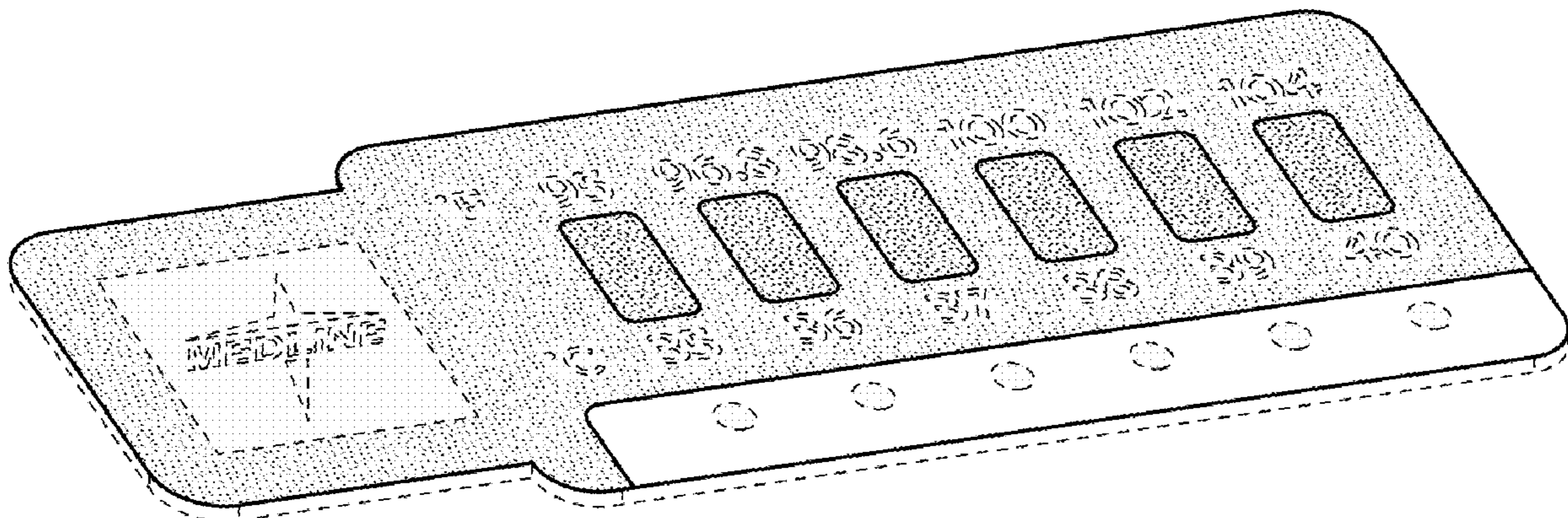
DESCRIPTION

FIG. 1 is a top perspective view of a wearable adhesive thermometer showing my new design; FIG. 2 is a front elevation view thereof; FIG. 3 is a rear elevation view thereof; FIG. 4 is a right side elevation view thereof; FIG. 5 is a left side elevation view thereof; and, FIG. 6 is a top plan view thereof. The broken lines in the drawings illustrate portions of the wearable adhesive thermometer that form no part of the claimed design. The stipple shading in FIGS. 1 and 6 represents a contrast of appearance and does not represent any particular color, texture, or material.

(56) **References Cited**
U.S. PATENT DOCUMENTS

3,661,142 A 5/1972 Flam
3,704,625 A 12/1972 Seto et al.
4,030,482 A 6/1977 Navato
4,138,889 A 2/1979 Fraschini

1 Claim, 2 Drawing Sheets



(56)

References Cited

U.S. PATENT DOCUMENTS

9,675,801 B2 * 6/2017 Kong A61N 1/36021
2009/0141773 A1 6/2009 Lin et al.
2015/0241285 A1 8/2015 Schneider et al.

* cited by examiner

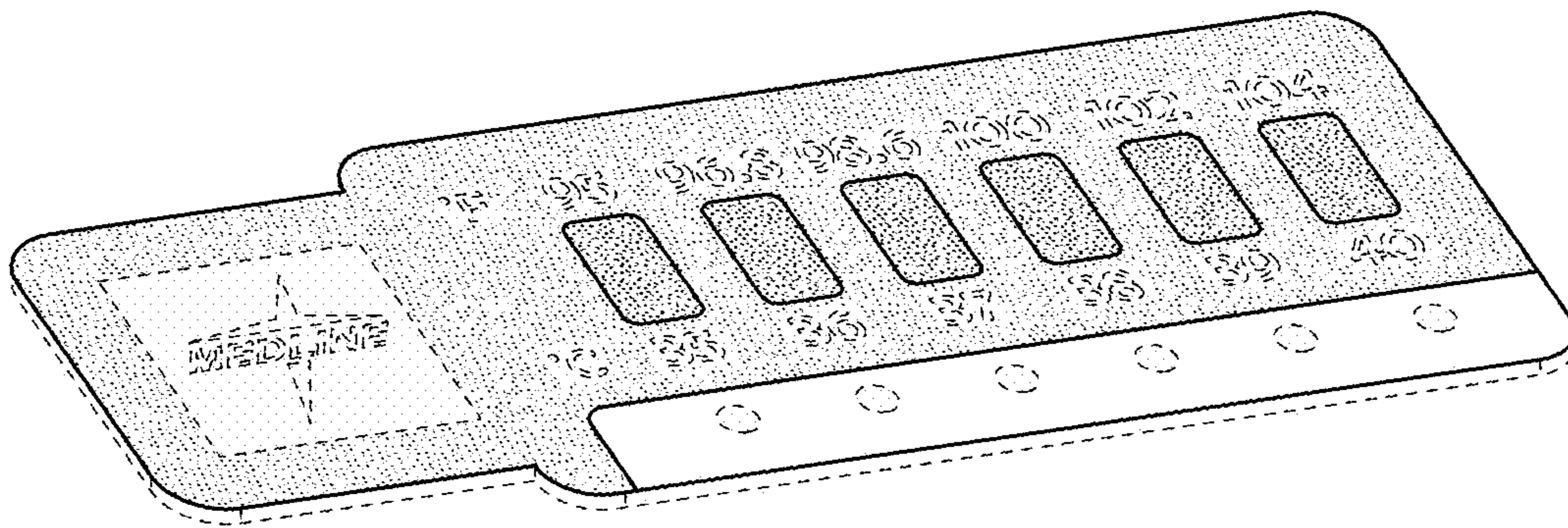


FIG. 1

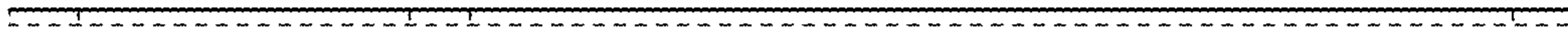


FIG. 2

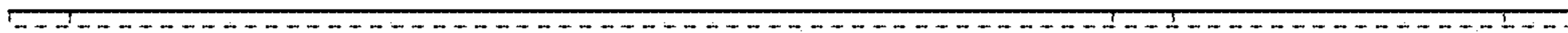


FIG. 3

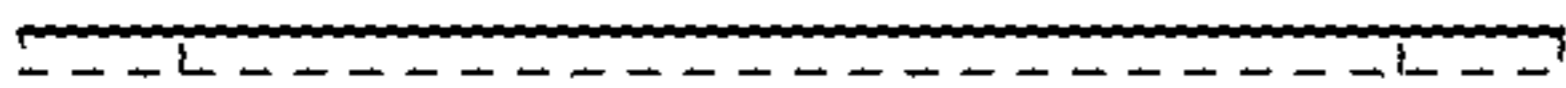


FIG. 4

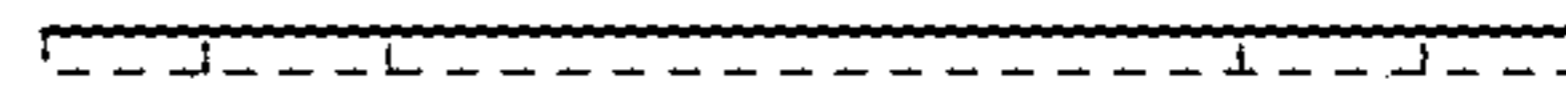


FIG. 5

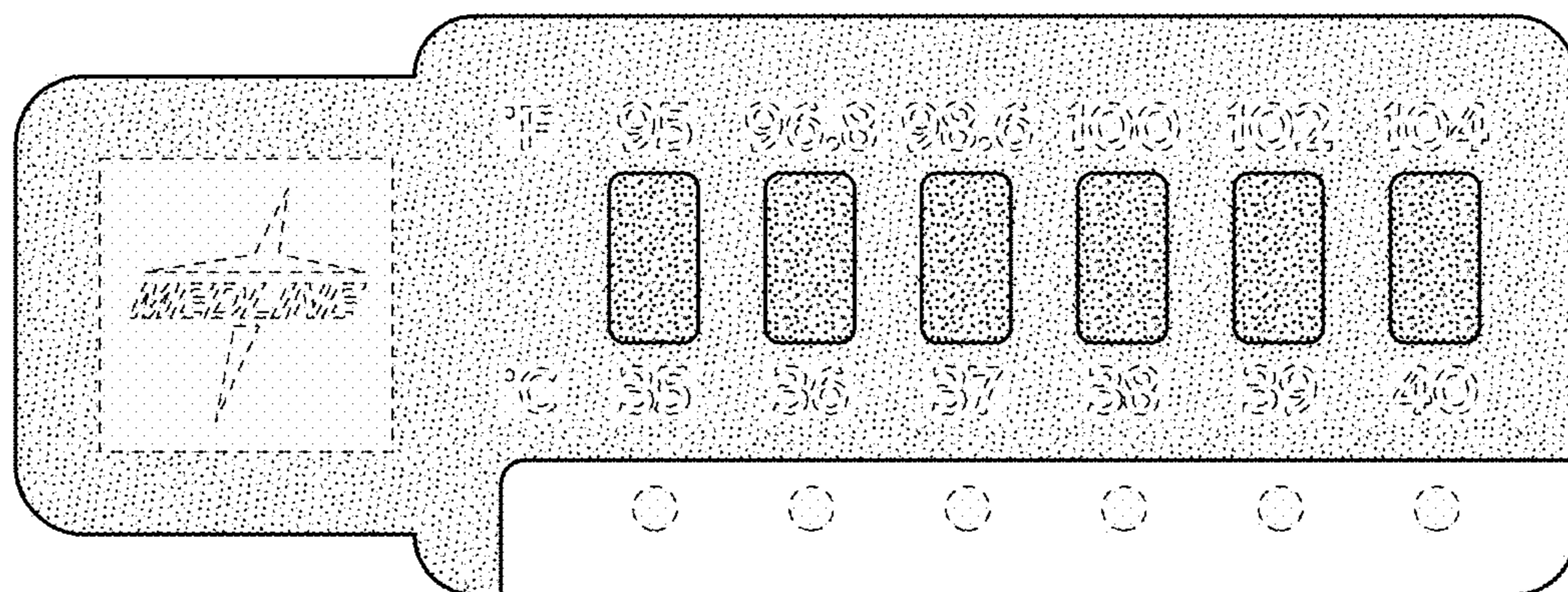


FIG. 6