



US00D876966S

(12) **United States Design Patent** (10) **Patent No.:** **US D876,966 S**  
**Shi** (45) **Date of Patent:** **\*\* Mar. 3, 2020**

(54) **WATCH**

G04F 7/0804; G04F 7/0842; G04F 7/0852; G04F 7/0857; G04F 7/0861; G04F 7/0871; G04F 7/0876

(71) Applicant: **Anhui Huami Information Technology Co., Ltd.**, Hefei, Anhui (CN)

See application file for complete search history.

(72) Inventor: **Xiaoxi Shi**, Mountain View, CA (US)

(56) **References Cited**

(73) Assignee: **Anhui Huami Information Technology Co., Ltd.**, Hefei, Anhui (CN)

U.S. PATENT DOCUMENTS

(\*\*) Term: **15 Years**

D338,161 S 8/1993 Kizaki  
D356,267 S \* 3/1995 Courteault ..... D10/30  
D358,777 S \* 5/1995 Polenberg ..... D10/39  
D397,042 S 8/1998 Riley

(21) Appl. No.: **29/666,808**

(Continued)

(22) Filed: **Oct. 16, 2018**

*Primary Examiner* — Sandra S Snapp

*Assistant Examiner* — Katherine Glennon

**Related U.S. Application Data**

(63) Continuation of application No. 29/585,632, filed on Nov. 28, 2016, now Pat. No. Des. 836,466.

(74) *Attorney, Agent, or Firm* — Young Basile Hanlon & MacFarlane, P.C.

(30) **Foreign Application Priority Data**

(57) **CLAIM**

The ornamental design for a watch, as shown and described.

Jun. 3, 2016 (CN) ..... 2016 3 0222192

(51) **LOC (12) Cl.** ..... **10-02**

(52) **U.S. Cl.**  
USPC ..... **D10/30; D14/344**

(58) **Field of Classification Search**  
USPC ..... D10/22, 30-32, 37-39, 65, 70, 98, 103, D10/122-124, 126-128, 131; D14/344  
CPC .... A44C 5/16; A44C 5/22; A44C 5/24; A44C 5/243; A44C 5/246; A44C 5/10; A44C 5/102; A44C 5/105; A44C 5/107; A44C 5/02; A44C 5/027; A44C 5/00; A44C 5/0053; A44C 5/0076; A44C 5/0069; G04B 19/06; G04B 19/08; G04B 19/085; G04B 19/103; G04B 19/12; G04B 19/18; G04B 19/22; G04B 19/223; G04B 19/24; G04B 19/26; G04B 19/283; G04B 19/30; G04B 19/00; G04B 19/025; G04B 19/04; G04B 3/046; G04B 3/048; G04B 37/106; G04B 3/001; G04B 37/1486; G04F 7/08;

**DESCRIPTION**

FIG. 1 is a front view of a watch according to my new design.

FIG. 2 is a rear view of the watch of FIG. 1.

FIG. 3 is a left side view of the watch of FIG. 1.

FIG. 4 is a right side view of the watch of FIG. 1.

FIG. 5 is a top view of the watch of FIG. 1.

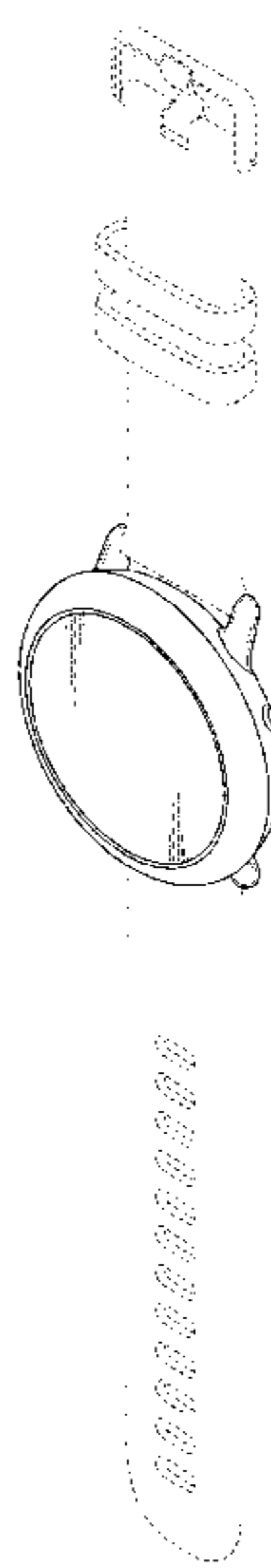
FIG. 6 is a bottom view of the watch of FIG. 1.

FIG. 7 is a perspective view of the front and right side of the watch of FIG. 1; and,

FIG. 8 is a perspective view of the rear and left side of the watch of FIG. 1.

The ornamental design which is claimed is shown in solid lines in the drawings. The broken lines in the drawings illustrate environment and form no part of the claimed design.

**1 Claim, 7 Drawing Sheets**



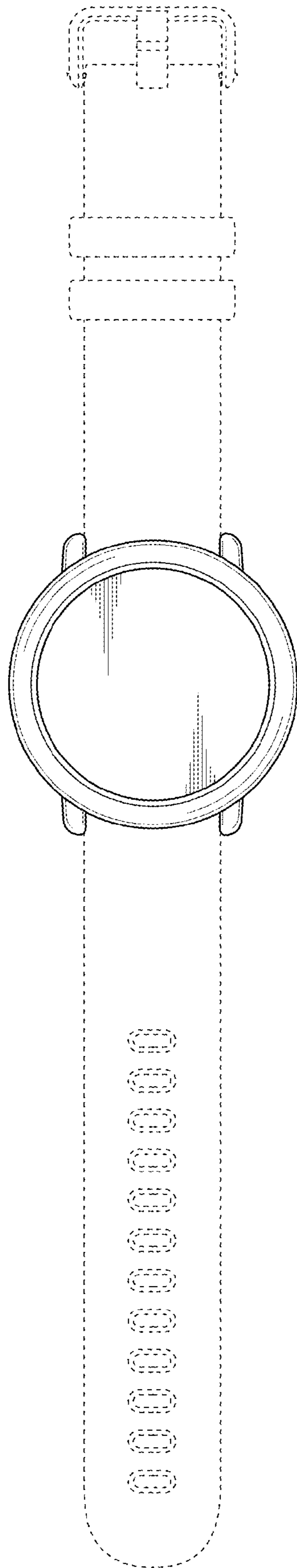
(56)

**References Cited**

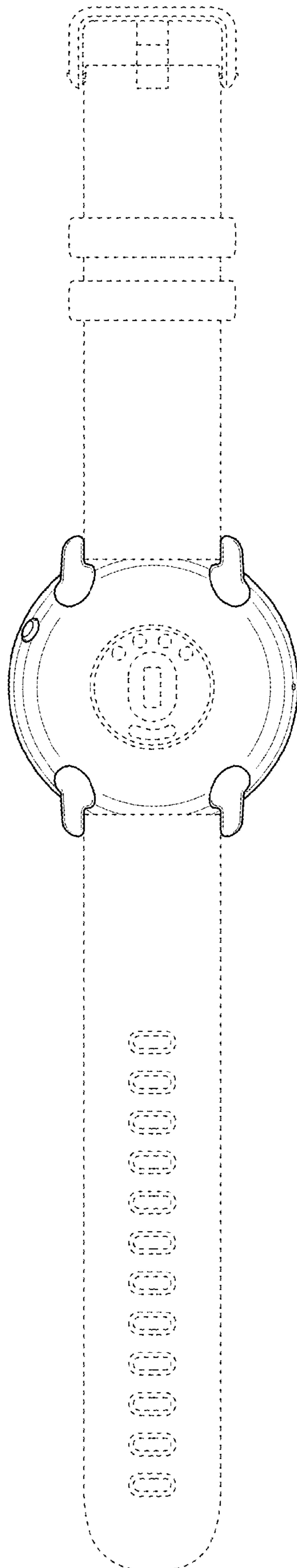
U.S. PATENT DOCUMENTS

D414,705	S	*	10/1999	Kennedy	.....	D10/30
D460,002	S		7/2002	Wunderman		
D653,564	S		2/2012	Eida		
D729,074	S	*	5/2015	Boulangéot	.....	D10/124
D743,282	S	*	11/2015	Park	.....	D10/30
D752,583	S	*	3/2016	Solomon	.....	D10/38
D759,511	S	*	6/2016	Belamich	.....	D10/126
D761,139	S		7/2016	Golnik et al.		
D768,623	S	*	10/2016	Zou	.....	D10/39
D772,868	S		11/2016	Park et al.		
D773,944	S	*	12/2016	Wang	.....	D10/30
D782,475	S	*	3/2017	Yu	.....	D11/5
D792,244	S	*	7/2017	Schaad	.....	D10/30
D799,986	S	*	10/2017	Monachon	.....	D10/30
D823,853	S	*	7/2018	Yoshimoto	.....	D14/344
D827,831	S	*	9/2018	Fong	.....	D24/167
D828,351	S	*	9/2018	Xie	.....	D14/344
D831,508	S	*	10/2018	Cazzola	.....	D10/32
D834,430	S	*	11/2018	Schaad	.....	D10/30
D836,466	S	*	12/2018	Shi	.....	D10/32

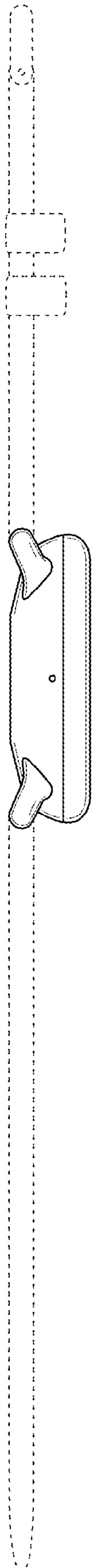
\* cited by examiner



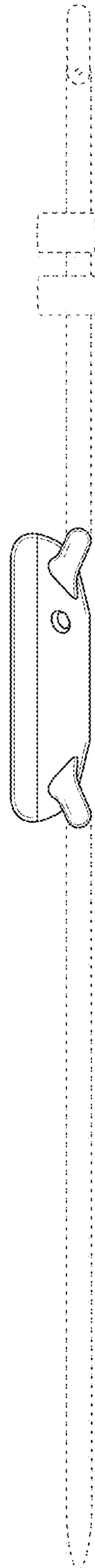
**FIG. 1**



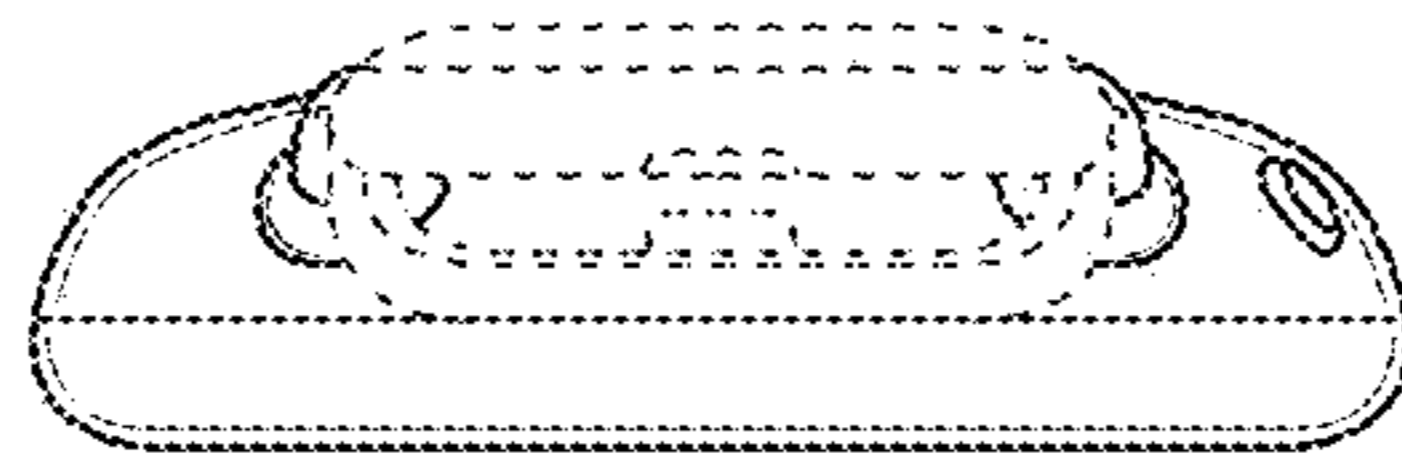
**FIG. 2**



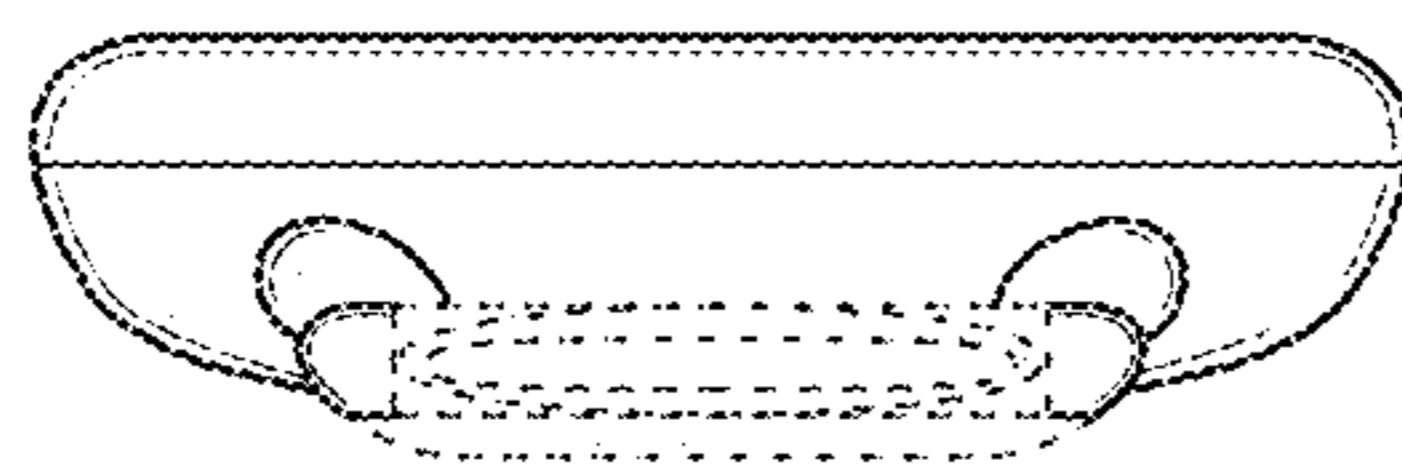
**FIG. 3**



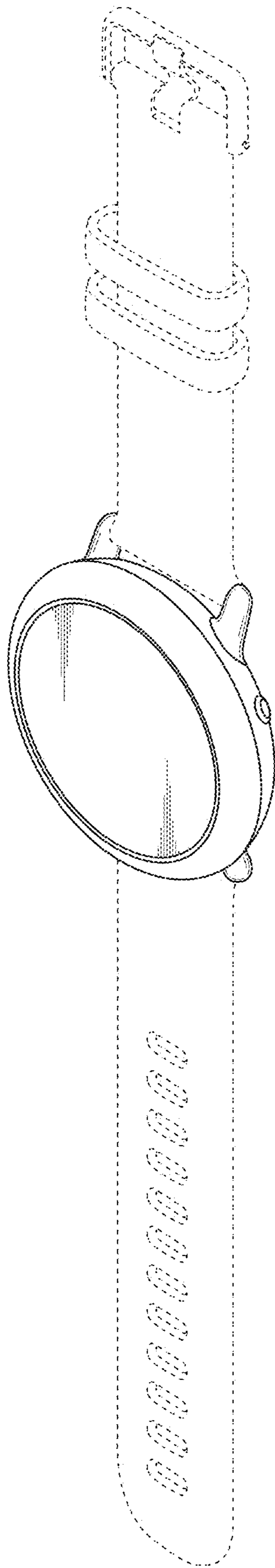
**FIG. 4**



**FIG. 5**

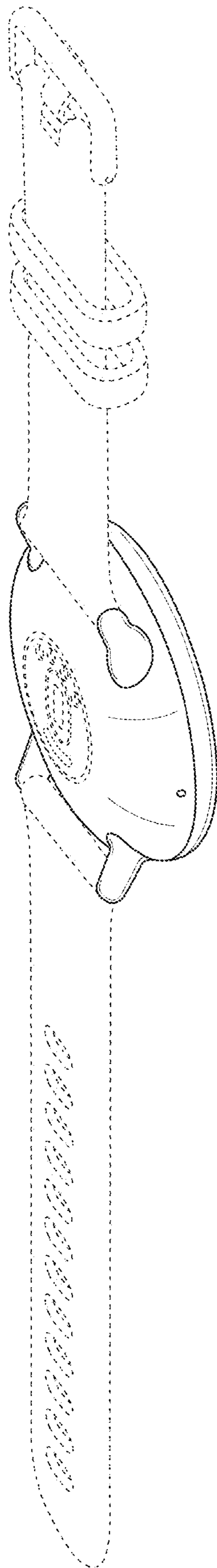


**FIG. 6**



**FIG. 7**





**FIG. 8**