



US00D876965S

(12) **United States Design Patent**
Long

(10) **Patent No.:** **US D876,965 S**
(45) **Date of Patent:** **** Mar. 3, 2020**

(54) **ALARM CLOCK**
(71) Applicant: **Shenzhen Shuo Yu Technology Co., Ltd, Shenzhen, Guangdong (CN)**
(72) Inventor: **Yuanyuan Long, Guangdong (CN)**
(73) Assignee: **Shenzhen Shuo Yu Technology Co., Ltd, Shenzhen (CN)**

5,764,594 A * 6/1998 Berman G04B 25/04
368/12
D465,160 S * 11/2002 Chan D10/1
D500,251 S * 12/2004 Harris, Jr. D10/15
7,468,934 B1 * 12/2008 Janik G04G 11/00
368/13
D643,313 S * 8/2011 Bulsink D10/15

(**) Term: **15 Years**
(21) Appl. No.: **29/671,652**
(22) Filed: **Nov. 28, 2018**

(30) **Foreign Application Priority Data**
Aug. 9, 2018 (CN) 2018 3 0437573
(51) **LOC (12) Cl.** **10-01**
(52) **U.S. Cl.**
USPC **D10/2**
(58) **Field of Classification Search**
USPC D10/1, 2, 5, 6, 7, 14, 15, 18, 17, 20, 21,
D10/22, 24, 48; D26/54, 51; D14/137,
D14/155, 188, 189, 265, 171
CPC .. G04G 5/00; G04G 5/02; G04G 5/04; G04G
9/00; G04G 9/0005; G04G 9/0017; G04G
9/0023; G04G 13/00; G04G 13/02; G04G
13/021; G04G 13/023; G04G 13/028
See application file for complete search history.

(56) **References Cited**
U.S. PATENT DOCUMENTS
D242,385 S * 11/1976 Hamada D14/171
D246,105 S * 10/1977 Coons D14/171
D250,252 S * 11/1978 Booty D10/15
D348,397 S * 7/1994 Davis D10/15
D353,141 S * 12/1994 Peersmann D14/170
D394,213 S * 5/1998 Plogman D10/1

OTHER PUBLICATIONS

Amazon, WHT Celebrity Glo-Clock by Westclox, posted Feb. 6, 2017, [online], [visited Nov. 18, 2019]. Internet, <URL: https://www.amazon.co.uk/CELEBRITY-GLO-CLOCK-Nyl-Holdings-Westclox/dp/B01NCVV09P/ref=sr_1_10?keywords=WESTCLOX&qid=1573850254&sr=8-10> (Year: 2017).*

* cited by examiner

Primary Examiner — Sheryl Lane
Assistant Examiner — Samantha N Wood

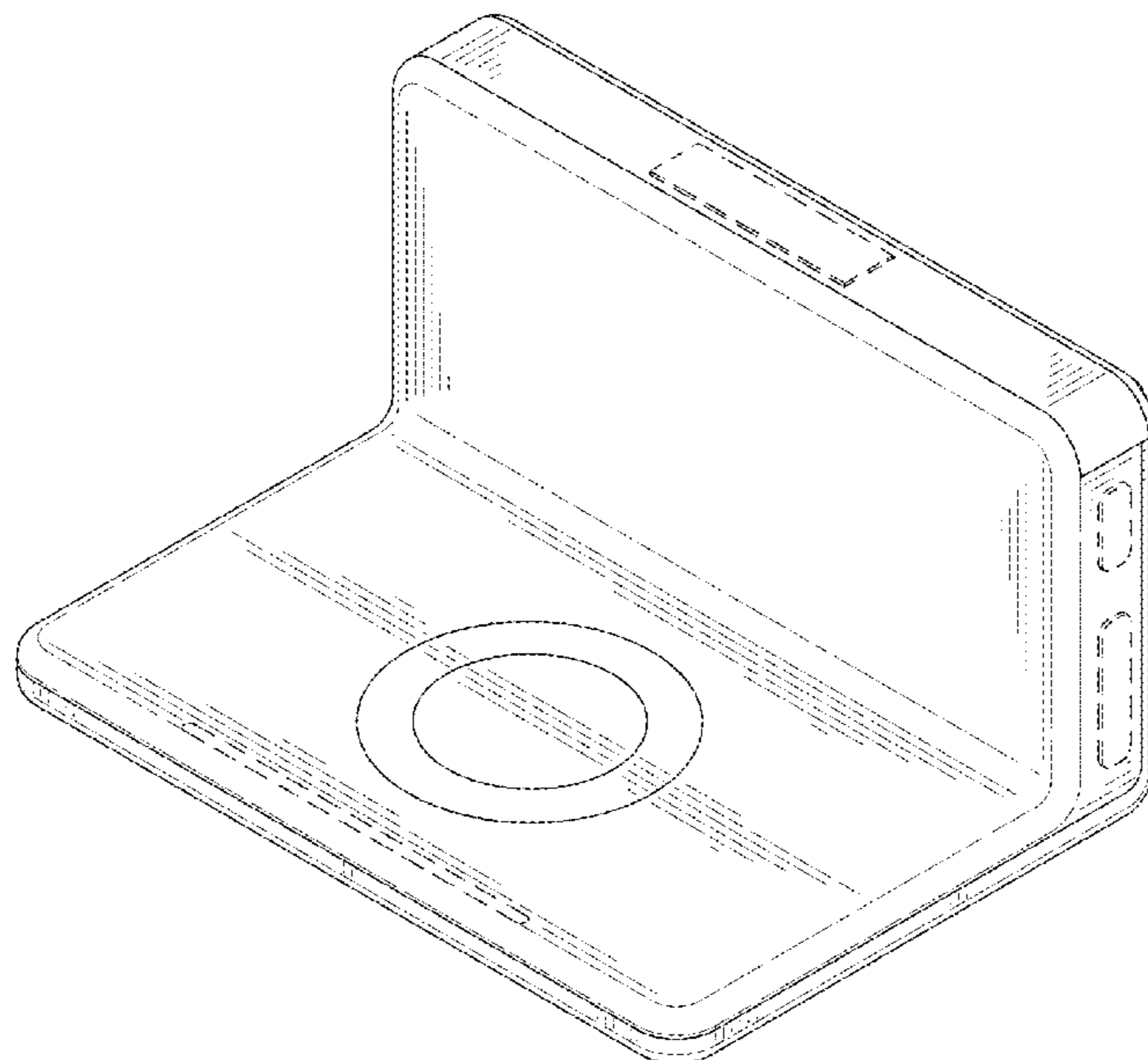
(57) **CLAIM**

The ornamental design for an alarm clock, as shown and described.

DESCRIPTION

FIG. 1 is a top, front and right side perspective view of an alarm clock showing my new design;
FIG. 2 is a bottom, rear and left side perspective view thereof;
FIG. 3 is a front elevational view thereof;
FIG. 4 is a rear elevational view thereof;
FIG. 5 is a left side view thereof;
FIG. 6 is a right side view thereof;
FIG. 7 is a top plan view thereof; and,
FIG. 8 is a bottom plan view thereof.
The broken lines in the drawings illustrate portions of the alarm clock which form no part of the claimed design.

1 Claim, 8 Drawing Sheets



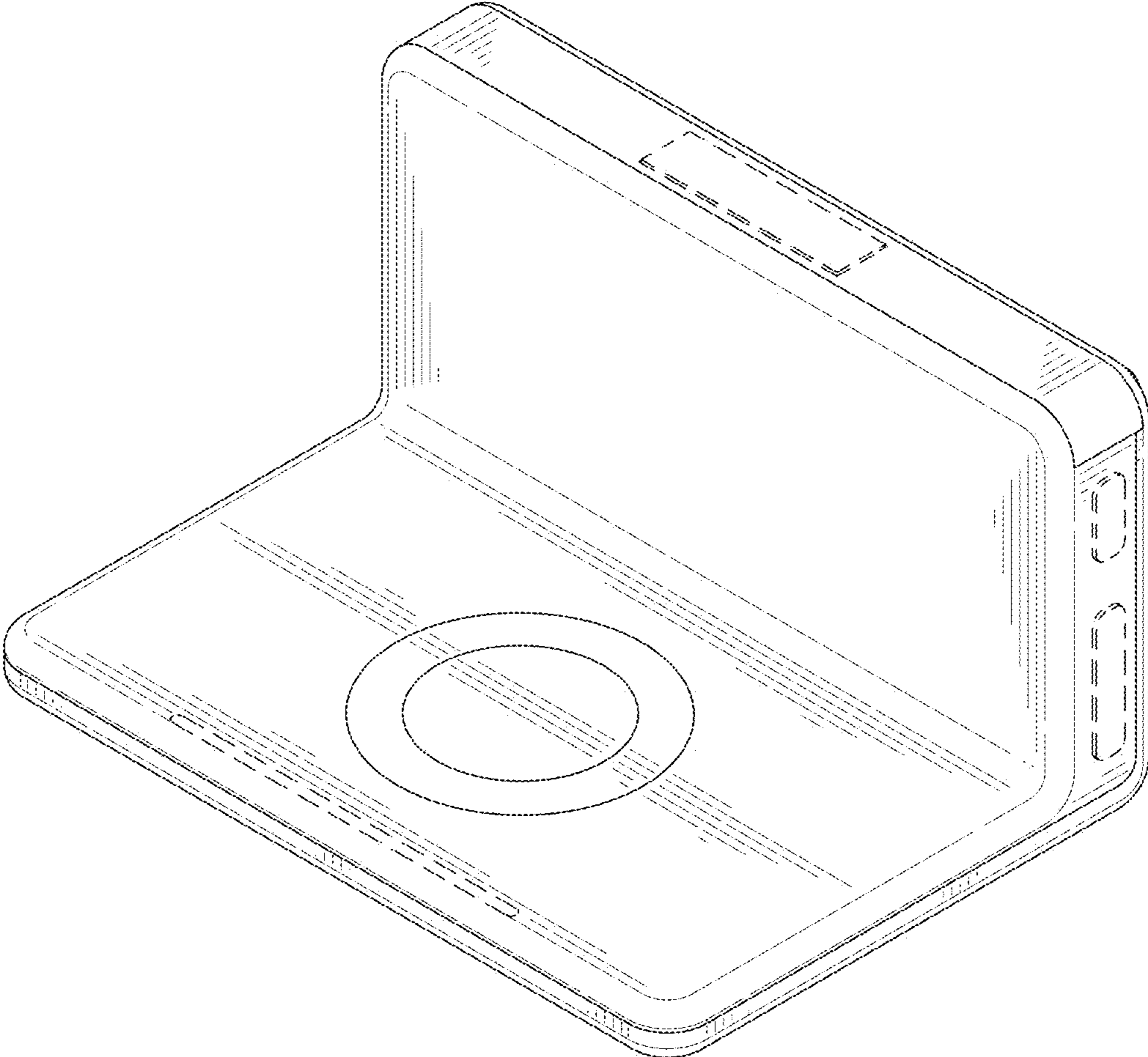


FIG. 1

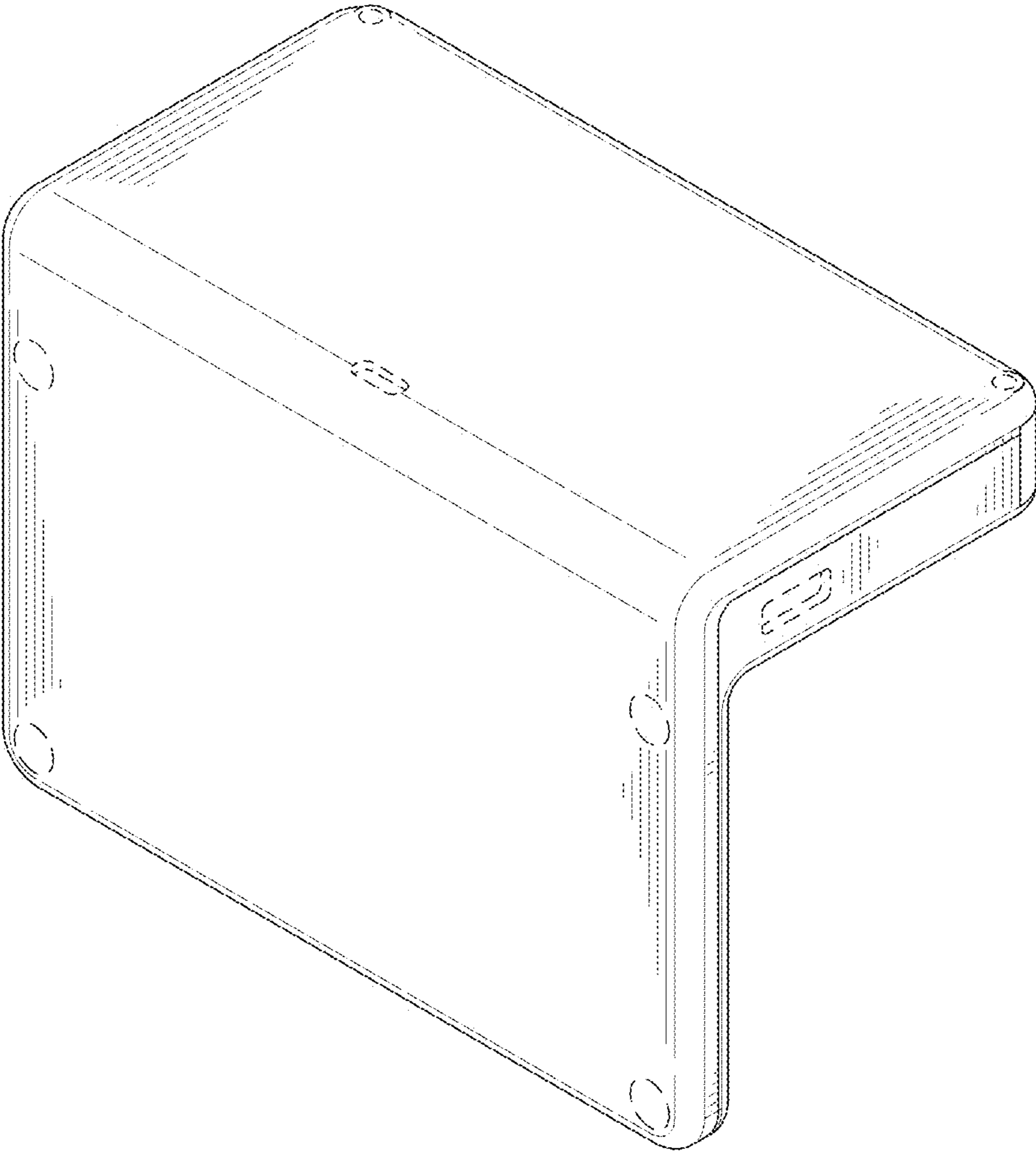


FIG. 2

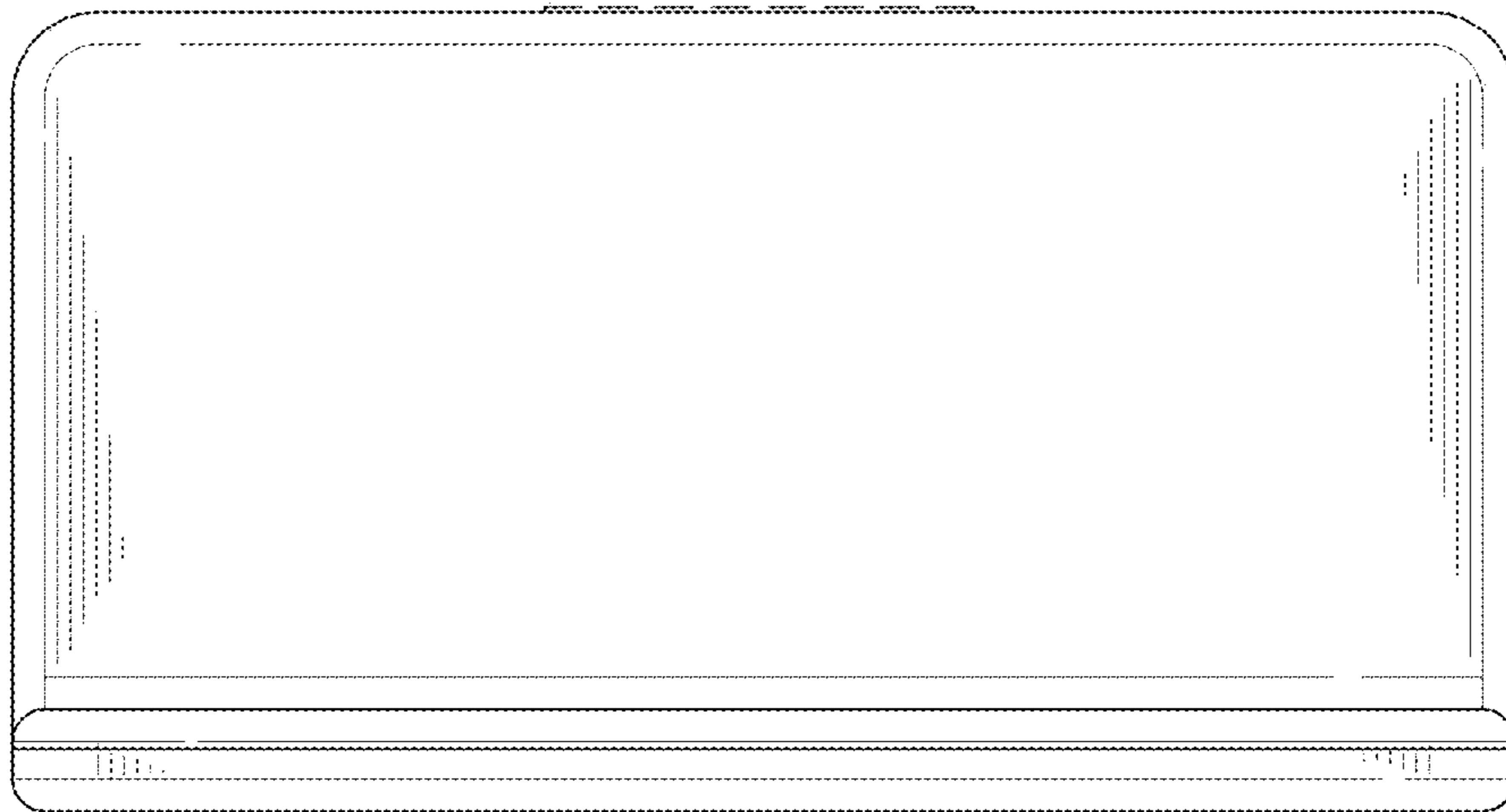


FIG. 3

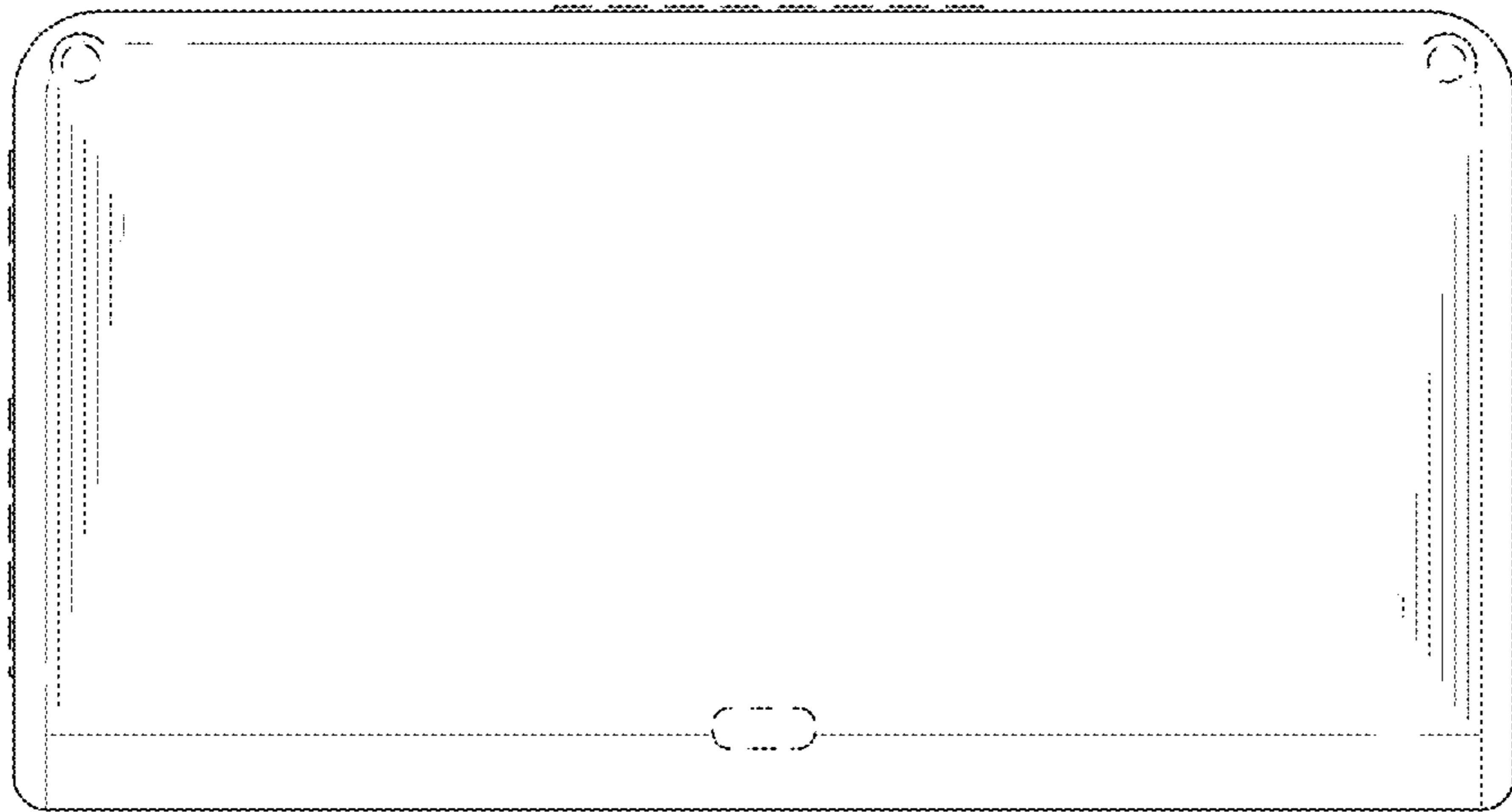


FIG. 4

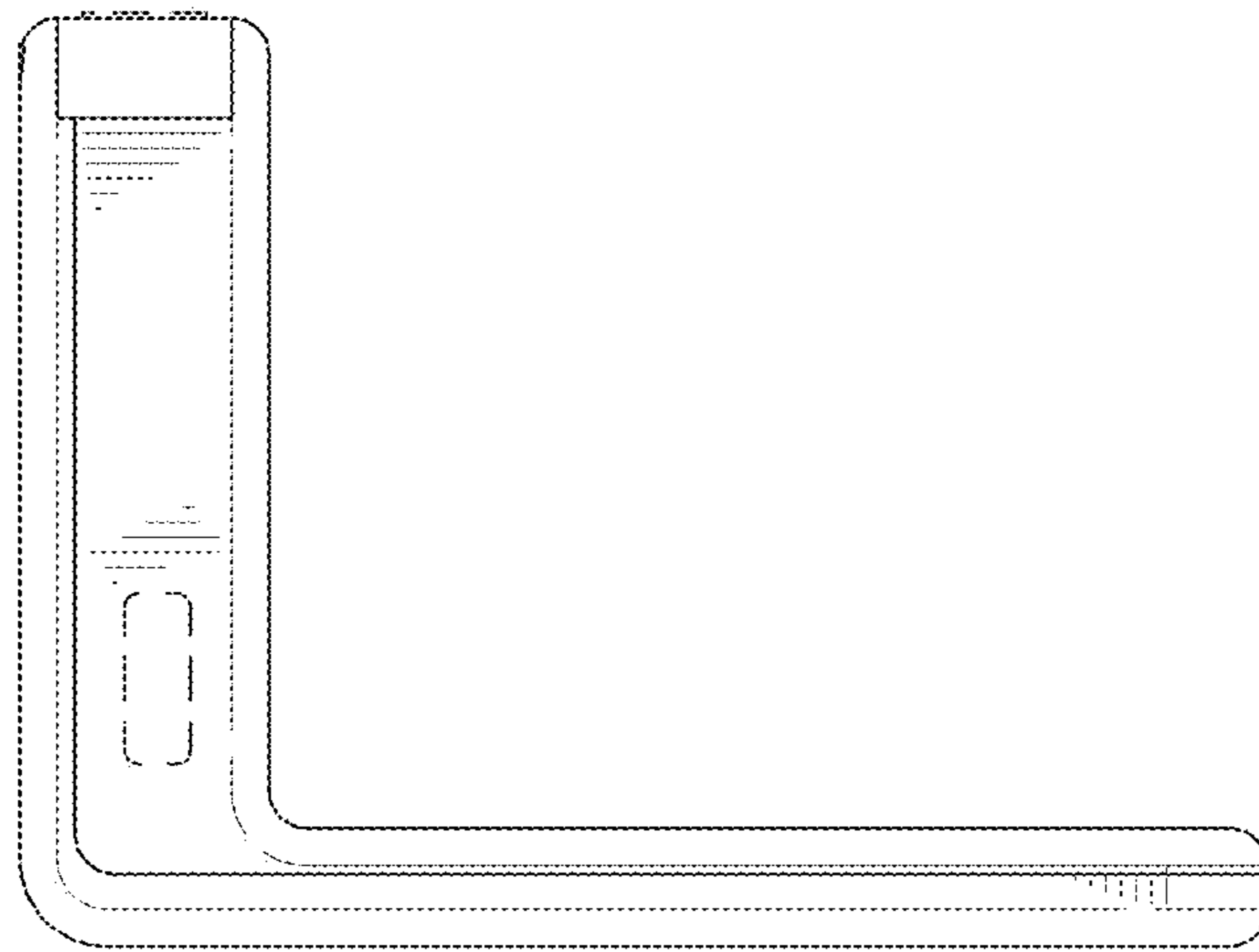


FIG. 5

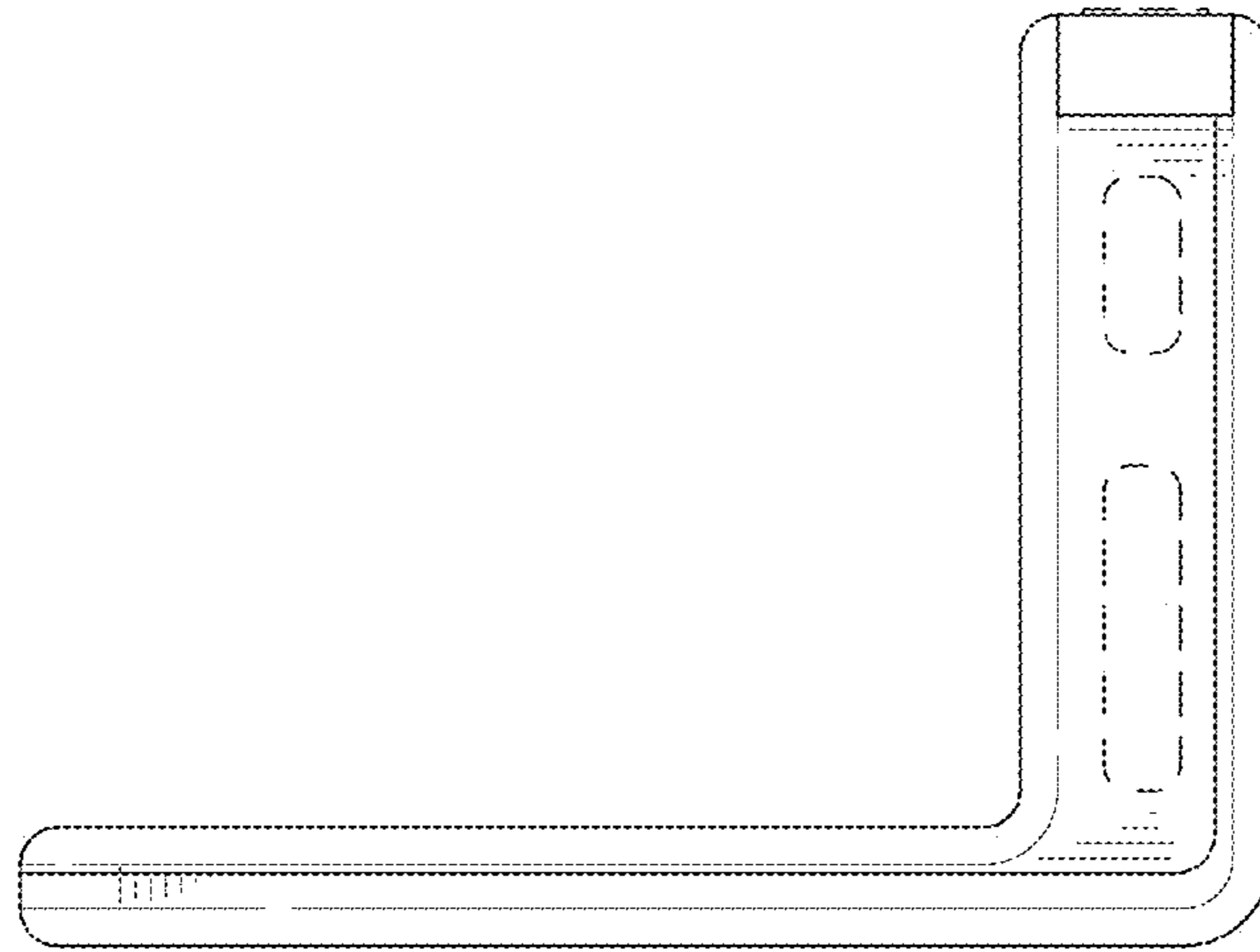


FIG. 6

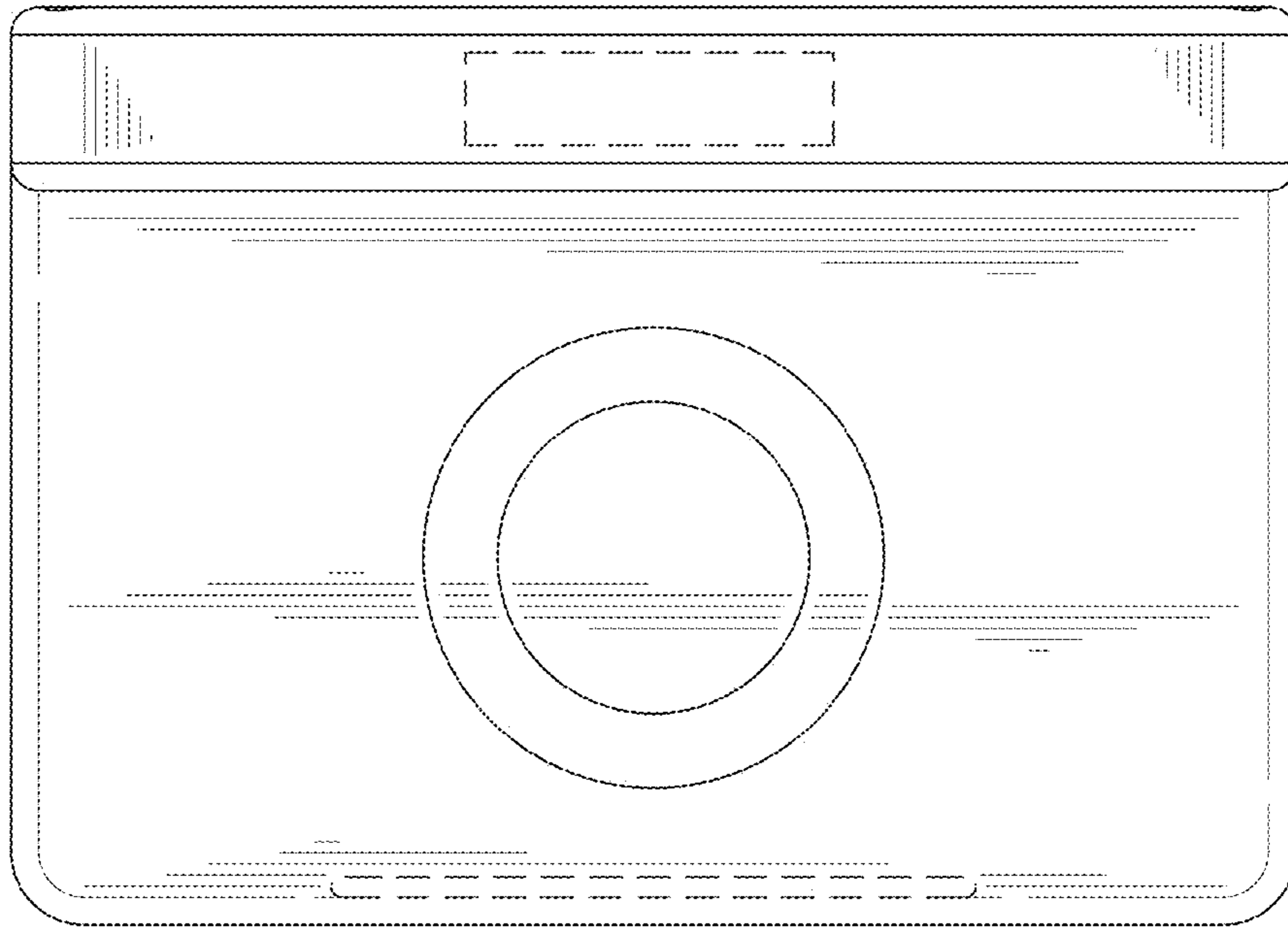


FIG. 7



FIG. 8