



US00D876963S

(12) **United States Design Patent** (10) **Patent No.:** **US D876,963 S**
Bloom et al. (45) **Date of Patent:** **** Mar. 3, 2020**

(54) **CARRIER TAPE**

(71) Applicant: **Advantek, Inc.**, St. Louis, MO (US)

(72) Inventors: **Raymond J. Bloom**, Eagan, MN (US);
Todd M. Oliverius, Richfield, MN (US);
Bryan T. Hanson, Plymouth, MN (US)

(73) Assignee: **Advantek, Inc.**, St. Louis, MO (US)

(**) Term: **15 Years**

(21) Appl. No.: **29/642,563**

(22) Filed: **Mar. 30, 2018**

(51) **LOC (12) Cl.** **09-03**

(52) **U.S. Cl.**
USPC **D9/756**

(58) **Field of Classification Search**
USPC D9/756, 759; 220/23.83, 23.4; 257/688;
206/714, 713, 526, 460, 813, 725, 330;
198/713; 428/34.1
CPC B65D 73/02; B65D 73/0035; B65D 83/00;
B65D 85/30; B65D 85/90; B65D 89/00;
H01L 21/6836; H01L 21/67132; H01L
21/67333; B65B 47/00; B65G 15/30;
G06K 19/077; G06K 19/07718
See application file for complete search history.

(56) **References Cited**

U.S. PATENT DOCUMENTS

3,857,342	A *	12/1974	Johns	B65D 19/0075
					108/53.3
4,898,275	A *	2/1990	Skrtic	B65D 73/02
					206/526
5,152,393	A	10/1992	Chenoweth		
5,265,723	A	11/1993	Chenoweth et al.		
5,333,733	A *	8/1994	Murata	H05K 13/0084
					206/714
5,425,838	A	6/1995	Chenoweth et al.		

(Continued)

Primary Examiner — W. A. Teddy Falloway
(74) *Attorney, Agent, or Firm* — Vidas, Arrett & Steinkraus, P.A.

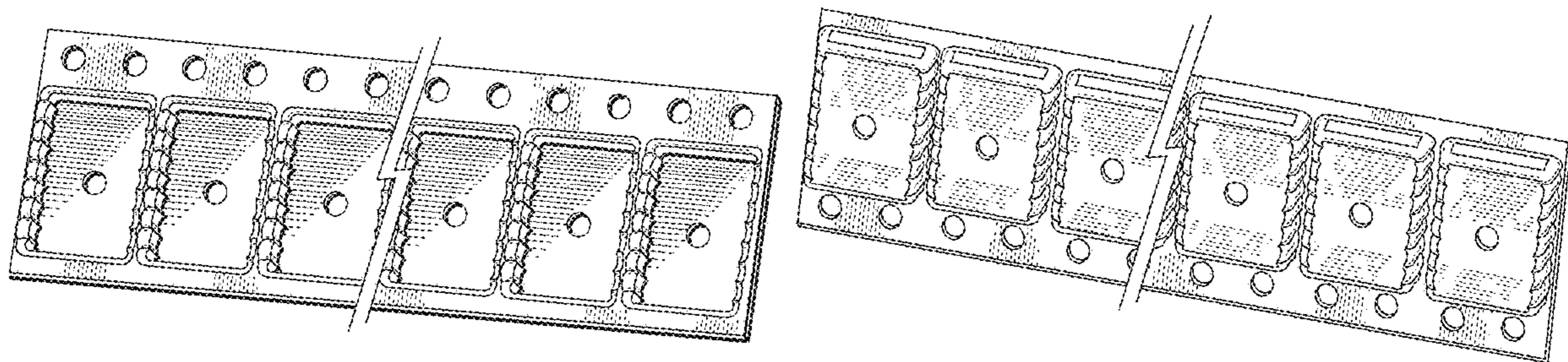
(57) **CLAIM**

The ornamental design for a carrier tape, as shown and described.

DESCRIPTION

FIG. 1 is a bottom plan view of a first embodiment of a carrier tape;
FIG. 2 is a side view thereof;
FIG. 3 is a right end view thereof;
FIG. 4 is a left end view thereof;
FIG. 5 is a top plan view thereof;
FIG. 6 is an isometric top view thereof;
FIG. 7 is an isometric bottom view thereof;
FIG. 8 is a top plan view of a second embodiment of the carrier tape;
FIG. 9 is a side view thereof;
FIG. 10 is a right end view thereof;
FIG. 11 is a left end view thereof;
FIG. 12 is a bottom plan view thereof;
FIG. 13 is an isometric top view thereof;
FIG. 14 is an isometric bottom view thereof;
FIG. 15 is a top plan view of a third embodiment of the carrier tape;
FIG. 16 is a side view thereof;
FIG. 17 is a right end view thereof;
FIG. 18 is a left end view thereof;
FIG. 19 is a bottom plan view thereof;
FIG. 20 is an isometric bottom view thereof; and,
FIG. 21 is an isometric top view thereof.
The carrier tape is shown with symbolic breaks in its length, represented by jagged break lines in FIGS. 1, 2, 5, 6, 7, 8, 9, 12, 13, 14, 15, 16, 19, 20 and 21. The appearance of any portion of the article between the break lines forms no part of the claimed design.

1 Claim, 6 Drawing Sheets



(56)

References Cited

U.S. PATENT DOCUMENTS

5,524,765	A *	6/1996	Gutentag	B65D 73/02	206/713
5,648,136	A *	7/1997	Bird	B65B 9/04	428/76
5,967,328	A *	10/1999	Ziberna	B65D 73/02	174/525
6,016,918	A *	1/2000	Ziberna	B65D 73/02	174/525
6,047,832	A	4/2000	Raschke			
6,076,681	A	6/2000	Chenoweth			
6,293,404	B1	9/2001	Bloom			
D510,278	S *	10/2005	Mikami	D9/756	
D510,279	S *	10/2005	Okouchi	D9/756	
7,097,040	B1 *	8/2006	Gutentag	B65D 73/02	206/460
D695,635	S *	12/2013	Tokoi	D9/730	
2002/0017478	A1 *	2/2002	Hong	B65D 73/02	206/714
2003/0196930	A1 *	10/2003	Agari	H01L 21/67333	206/714
2003/0198785	A1 *	10/2003	Ahn	B32B 3/16	428/192
2003/0218236	A1 *	11/2003	Wright	H01L 21/67132	257/668
2004/0007497	A1 *	1/2004	Khoo	B65D 73/02	206/714
2004/0011700	A1 *	1/2004	Brahmbhatt	H05K 13/0084	206/713
2007/0040012	A1 *	2/2007	Lin	G06M 1/101	235/103
2007/0074996	A1 *	4/2007	Nice	H05K 13/0084	206/714
2008/0000804	A1 *	1/2008	Carey	H05K 13/0084	206/714
2008/0296201	A1 *	12/2008	Lalouch	H05K 13/0084	206/714
2009/0032430	A1 *	2/2009	Wihren	H05K 13/0084	206/526
2009/0173660	A1 *	7/2009	Lee	B65D 73/02	206/713
2012/0037538	A1 *	2/2012	Tokoi	H05K 13/0084	206/714
2012/0066881	A1 *	3/2012	Rome	C09J 7/22	29/426.2
2014/0166534	A1 *	6/2014	Mori	H05K 13/0084	206/714
2014/0305771	A1 *	10/2014	Ng	H05K 13/0084	198/713
2015/0053586	A1 *	2/2015	How	H05K 13/0084	206/714
2015/0158649	A1 *	6/2015	Huang	H05K 13/0084	206/714
2016/0225654	A1 *	8/2016	Iwakado	B65D 73/02	
2016/0353619	A1 *	12/2016	Kato	G06K 19/07	
2017/0017872	A1 *	1/2017	Kato	G06K 19/0715	
2017/0062262	A1 *	3/2017	Newman	H01L 21/6836	
2017/0125276	A1 *	5/2017	Spiteri	H01L 21/6835	
2017/0257990	A1 *	9/2017	Ng	B65D 73/02	
2017/0327286	A1 *	11/2017	Newman	B65D 73/0035	
2017/0334625	A1 *	11/2017	Truhitte	B65D 73/02	
2019/0019071	A1 *	1/2019	Kato	G06K 19/07718	

* cited by examiner

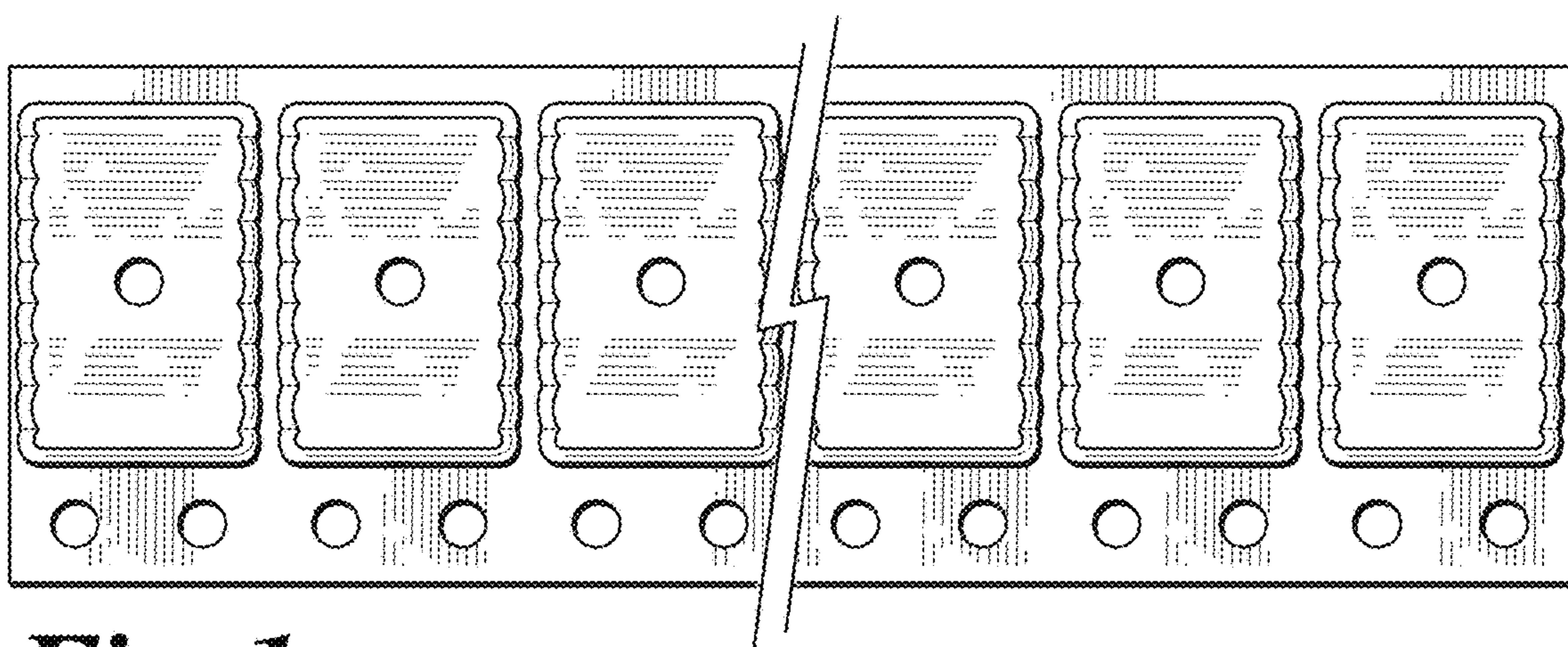


Fig. 1

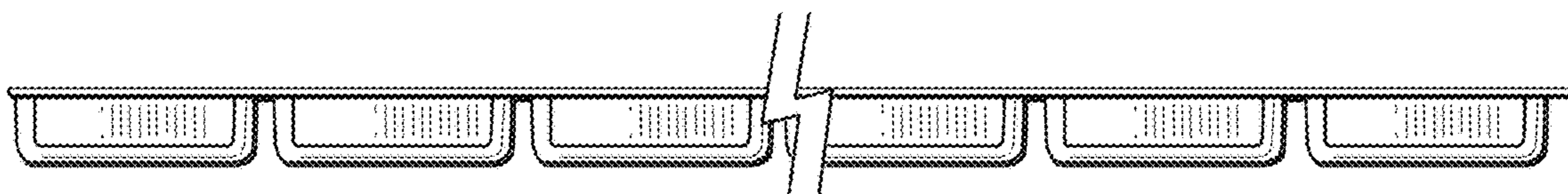


Fig. 2



Fig. 3



Fig. 4

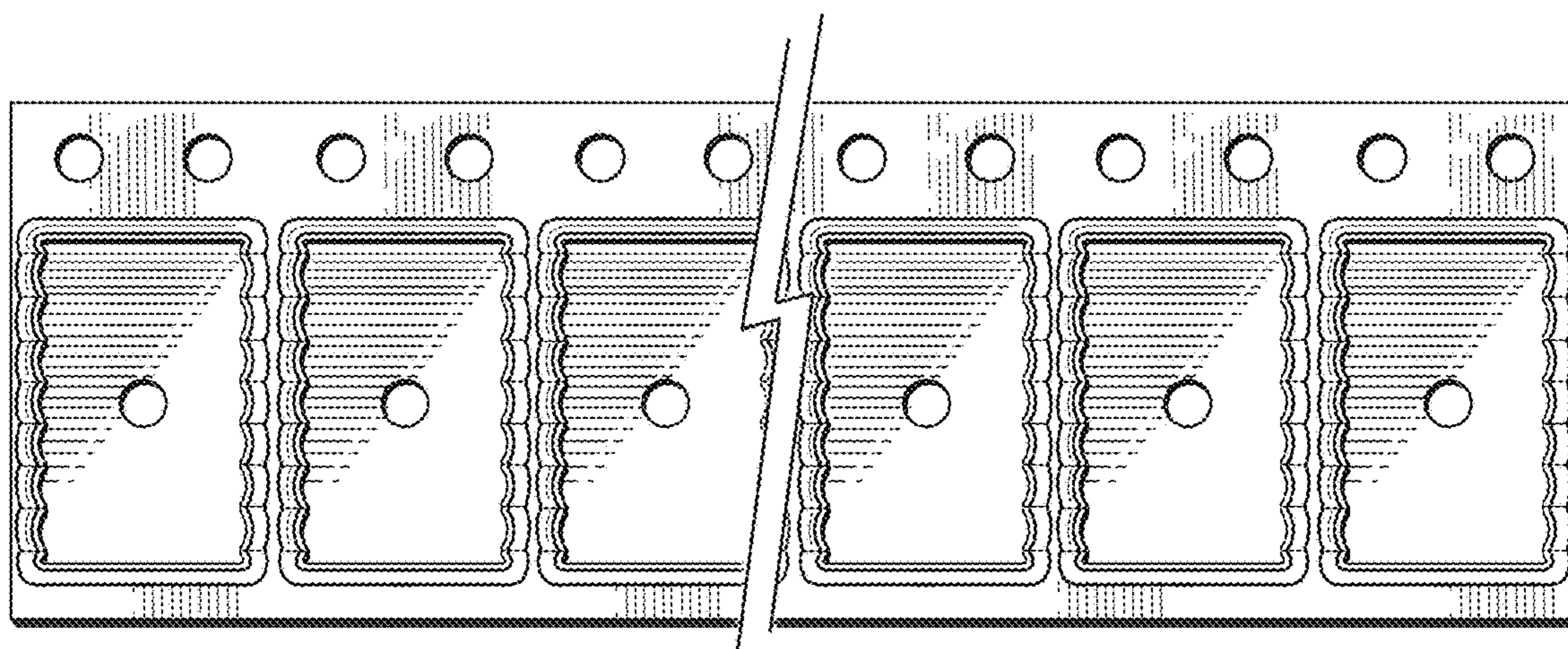


Fig. 5

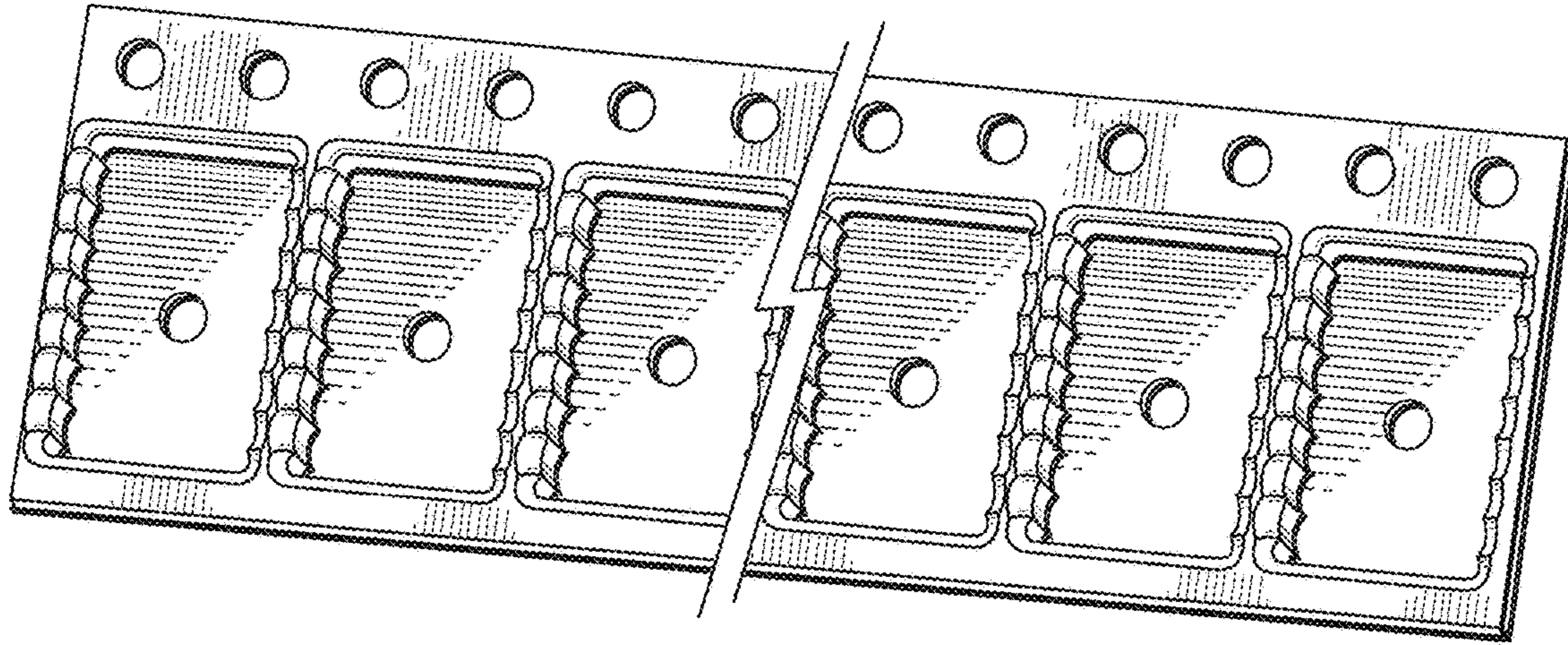


Fig. 6

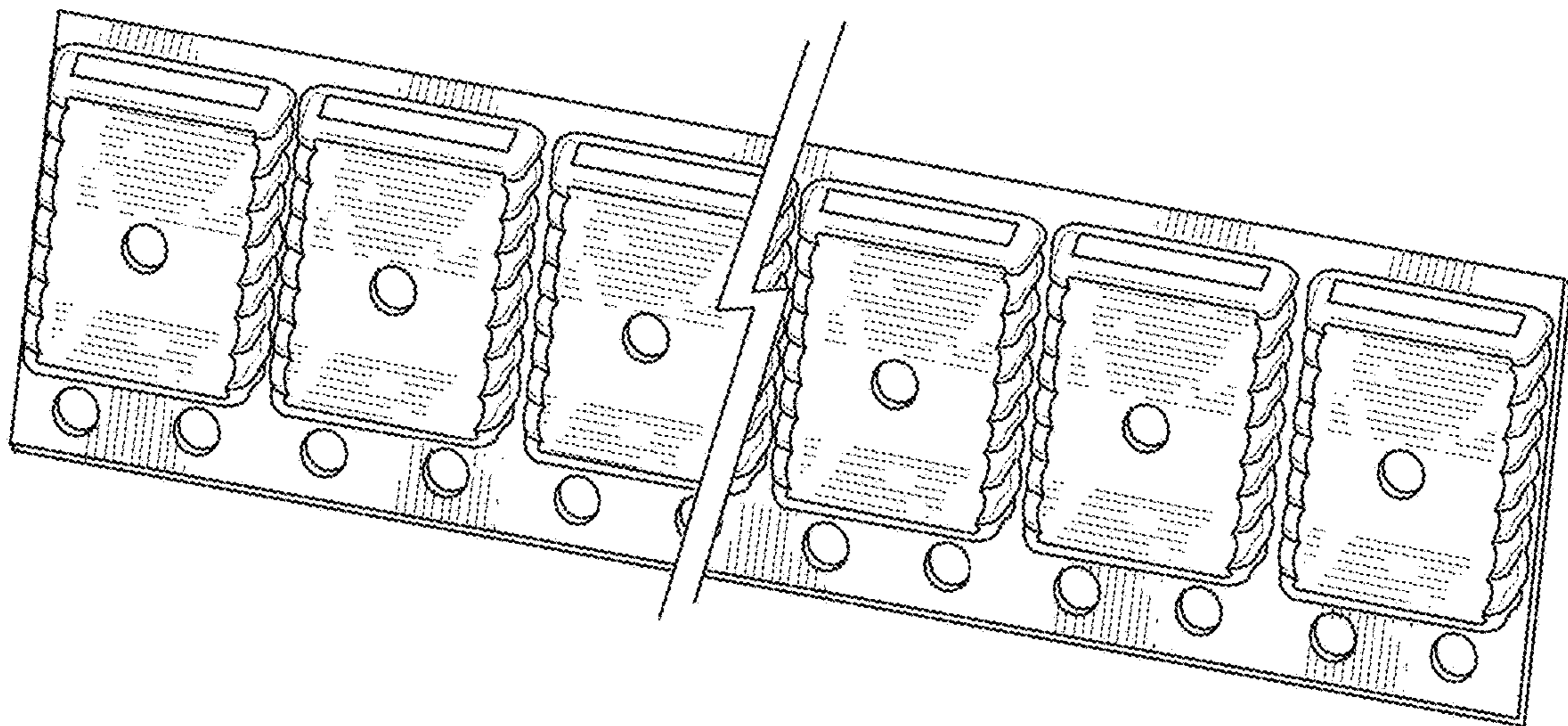


Fig. 7

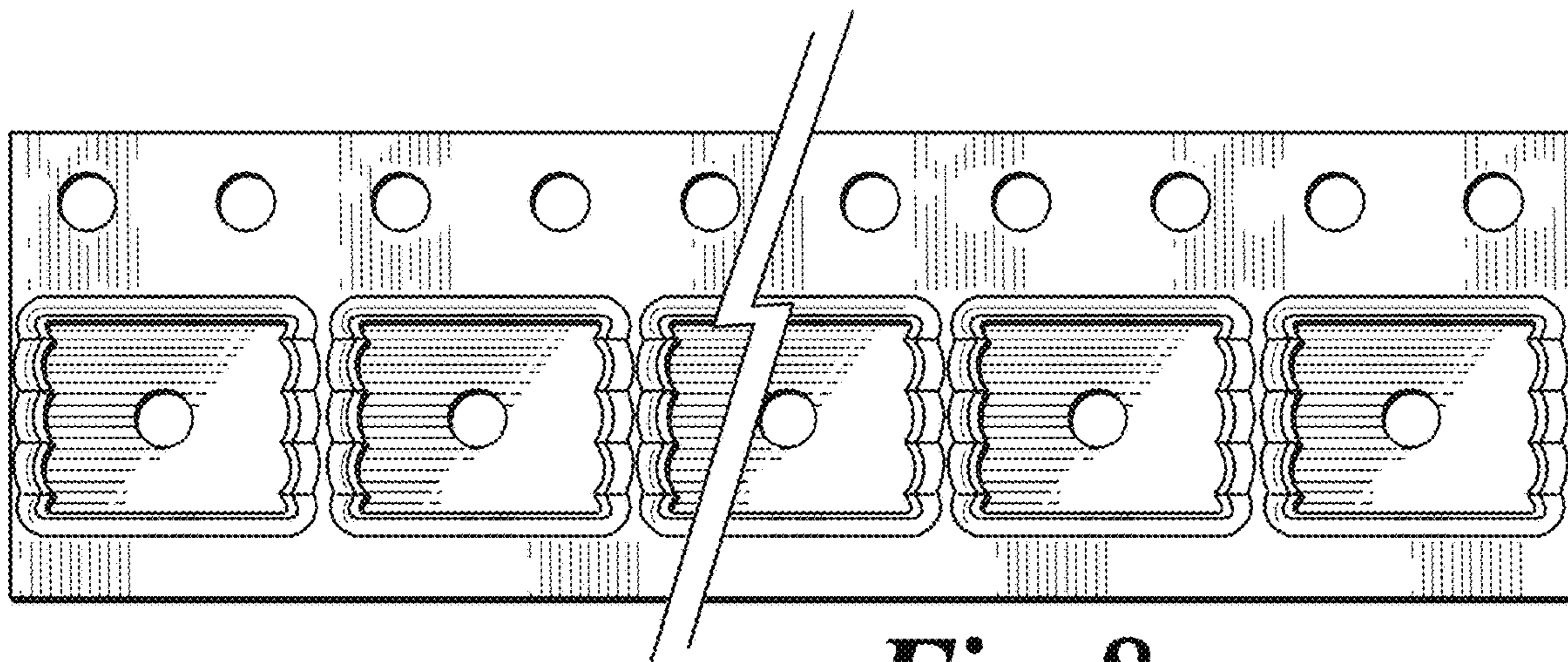


Fig. 8

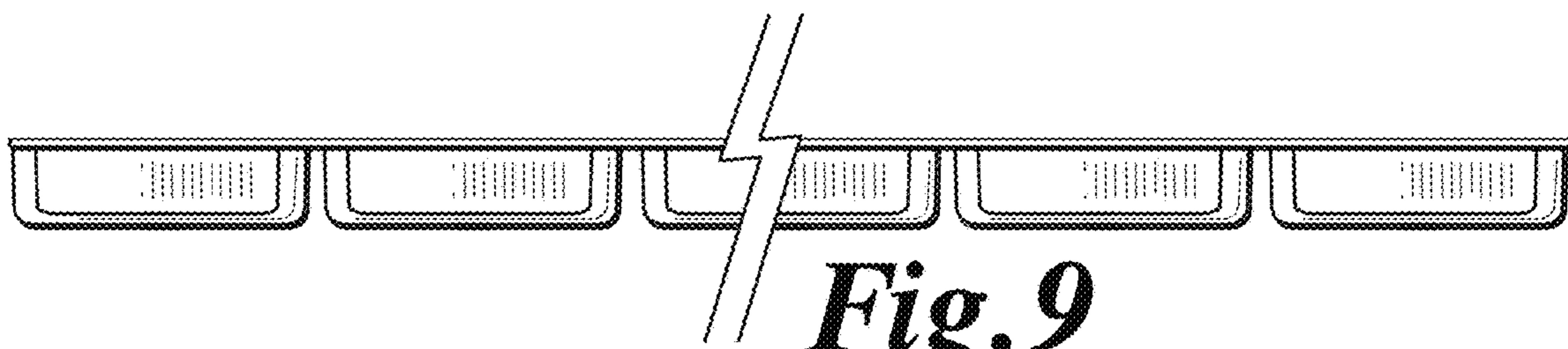


Fig. 9



Fig. 10



Fig. 11

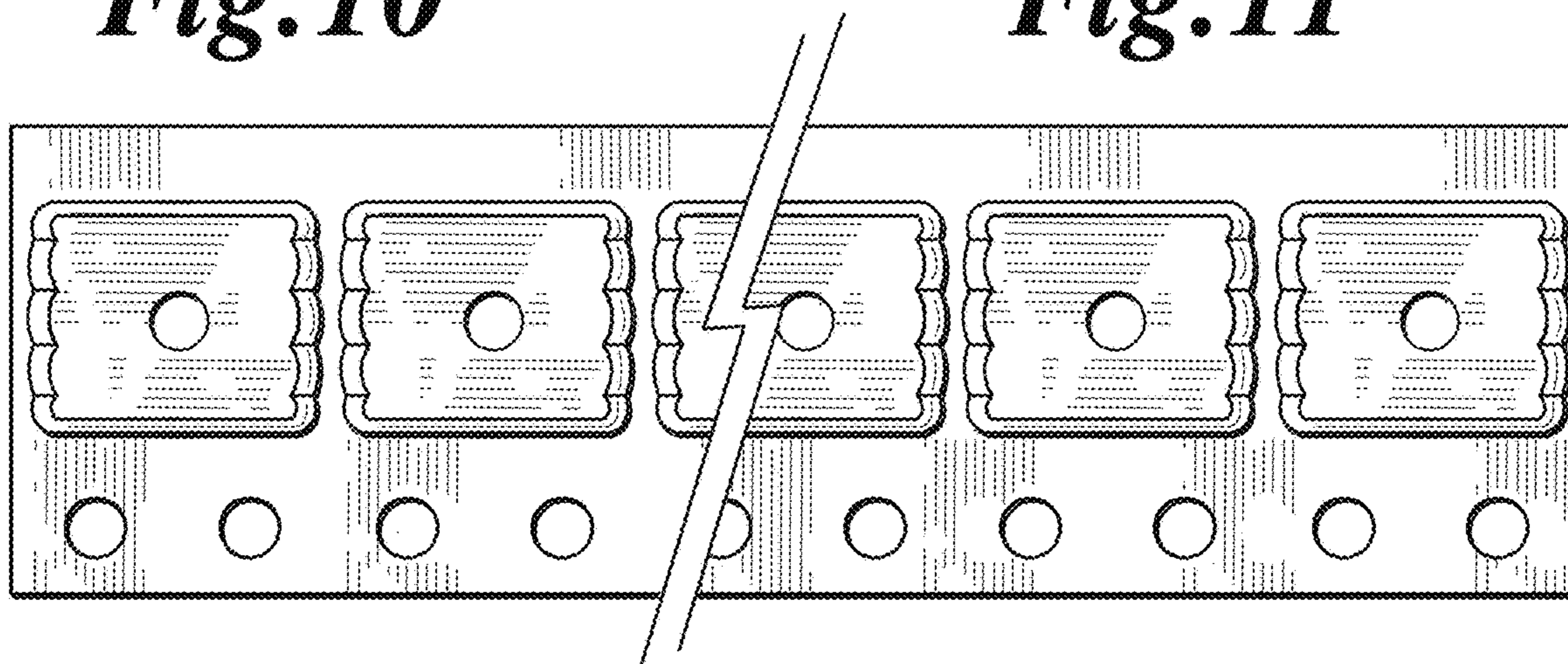


Fig. 12

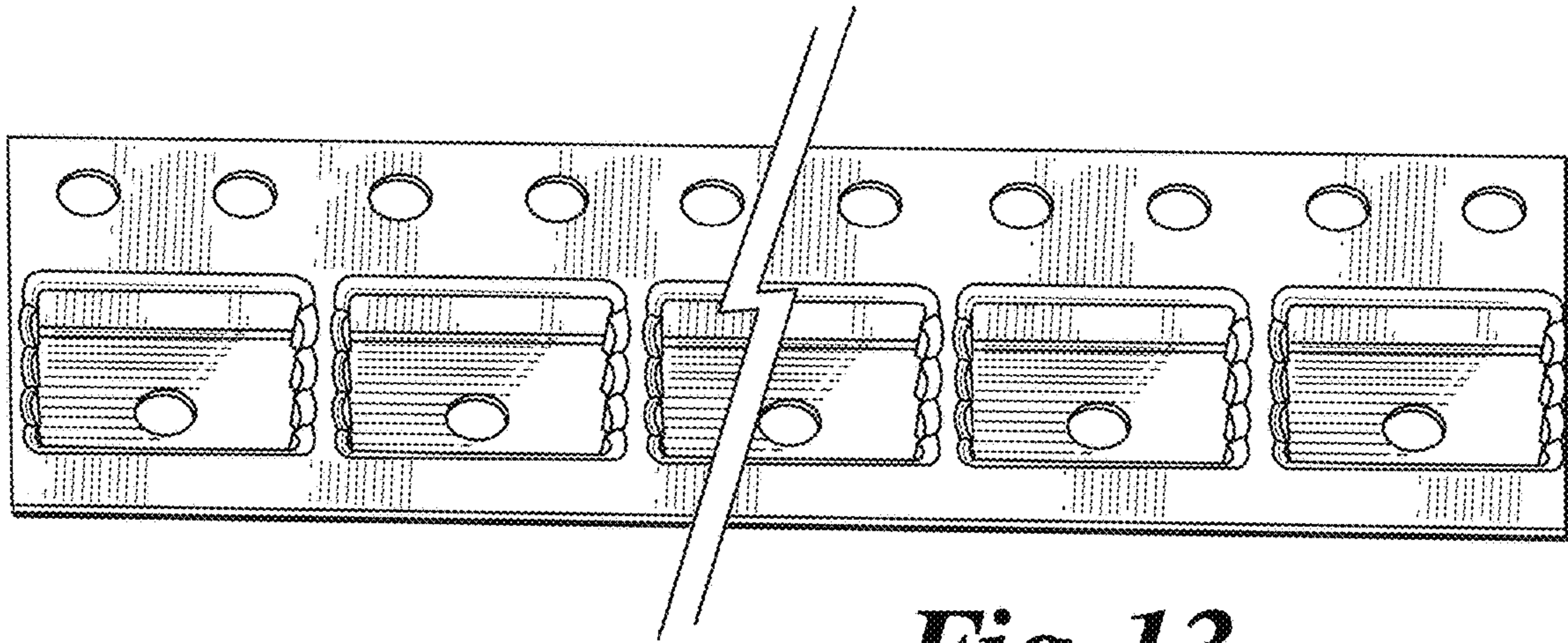


Fig. 13

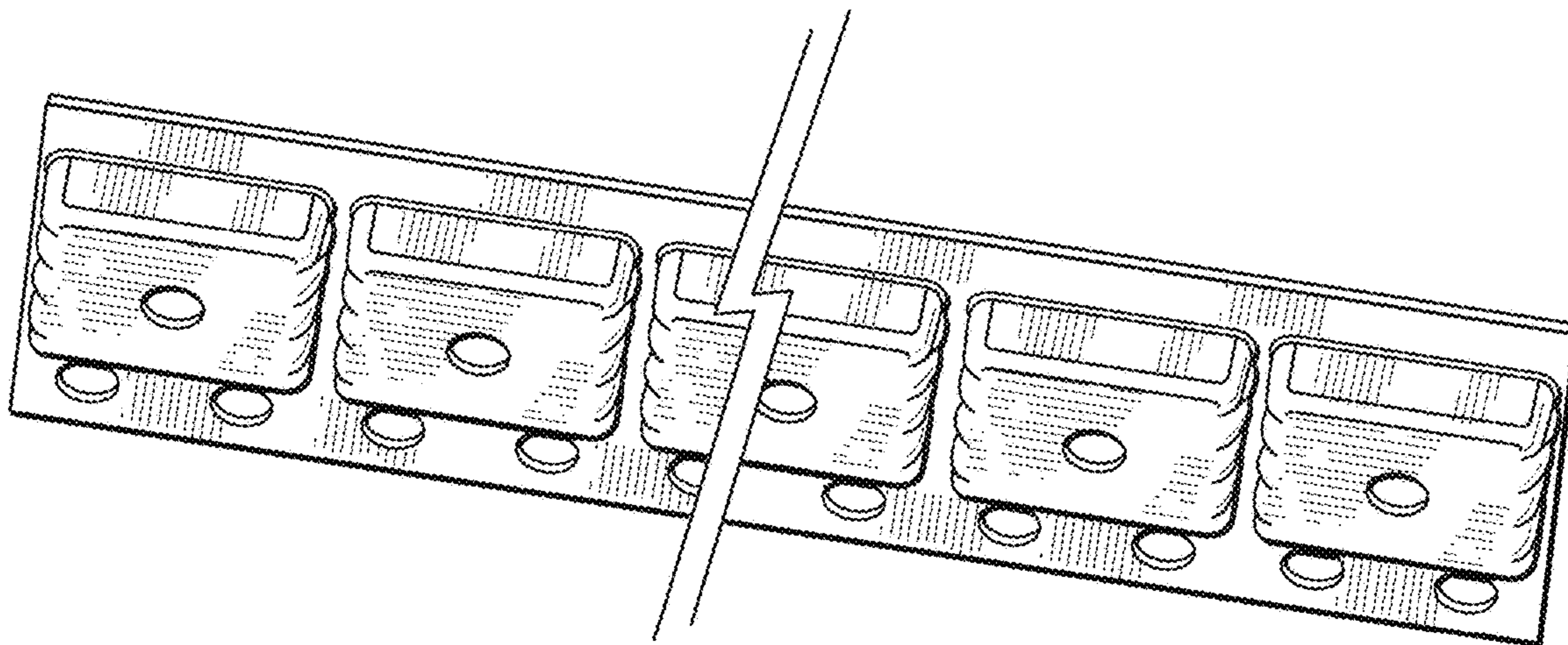


Fig 14

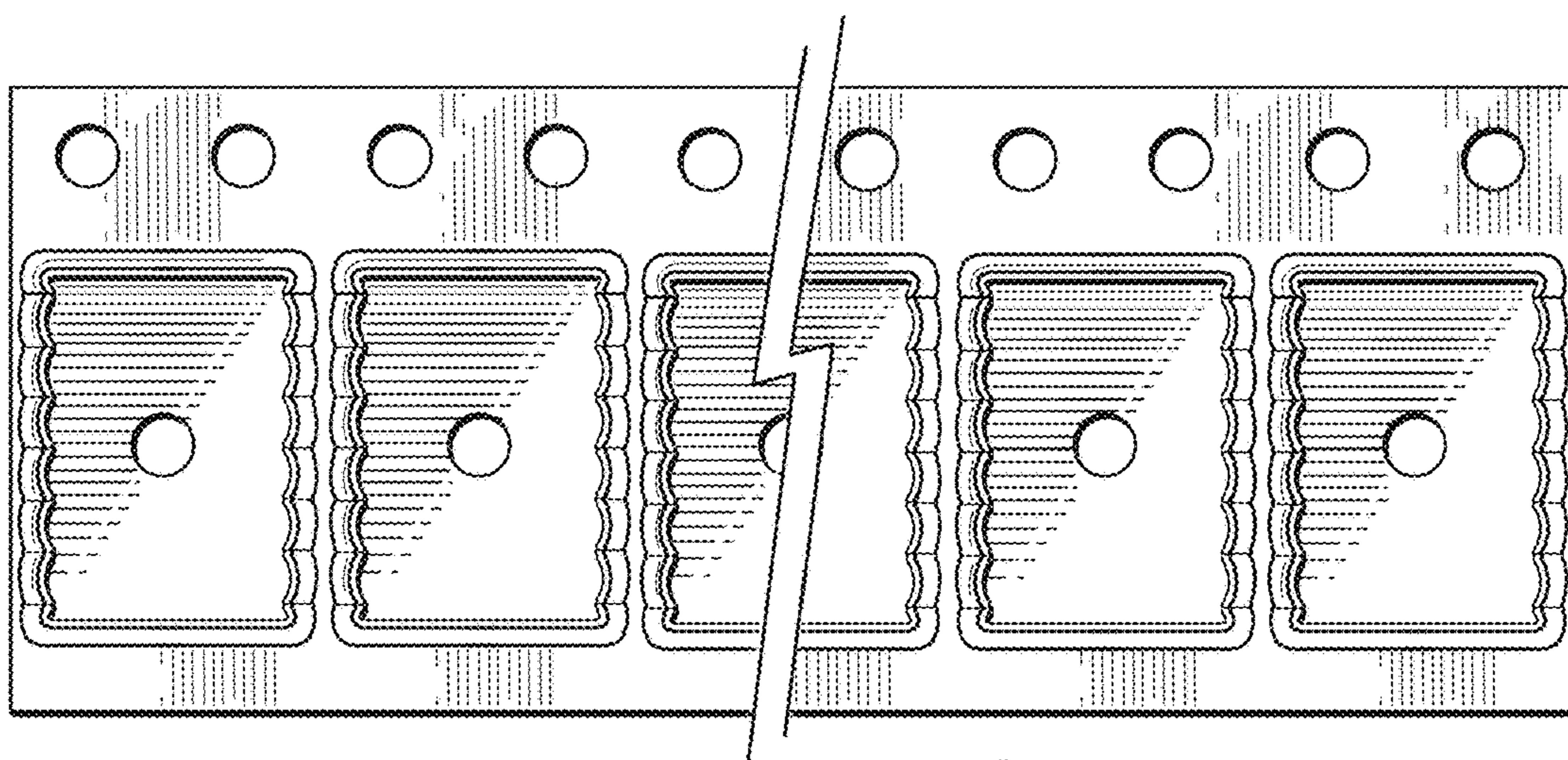


Fig. 15

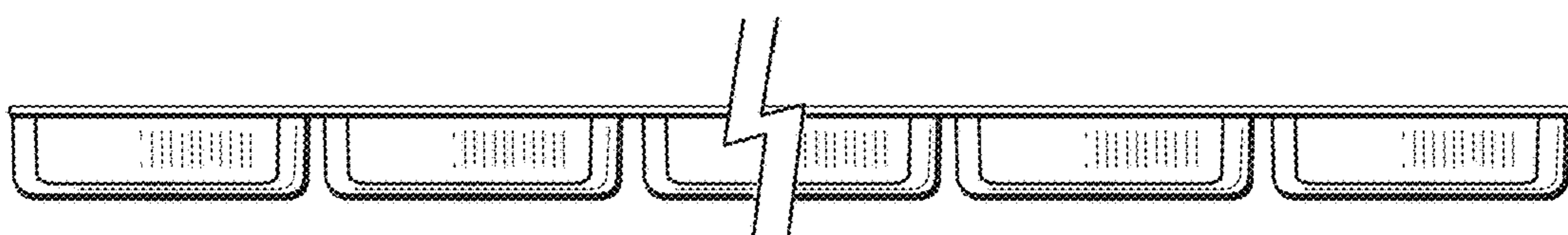


Fig. 16



Fig. 17



Fig. 18

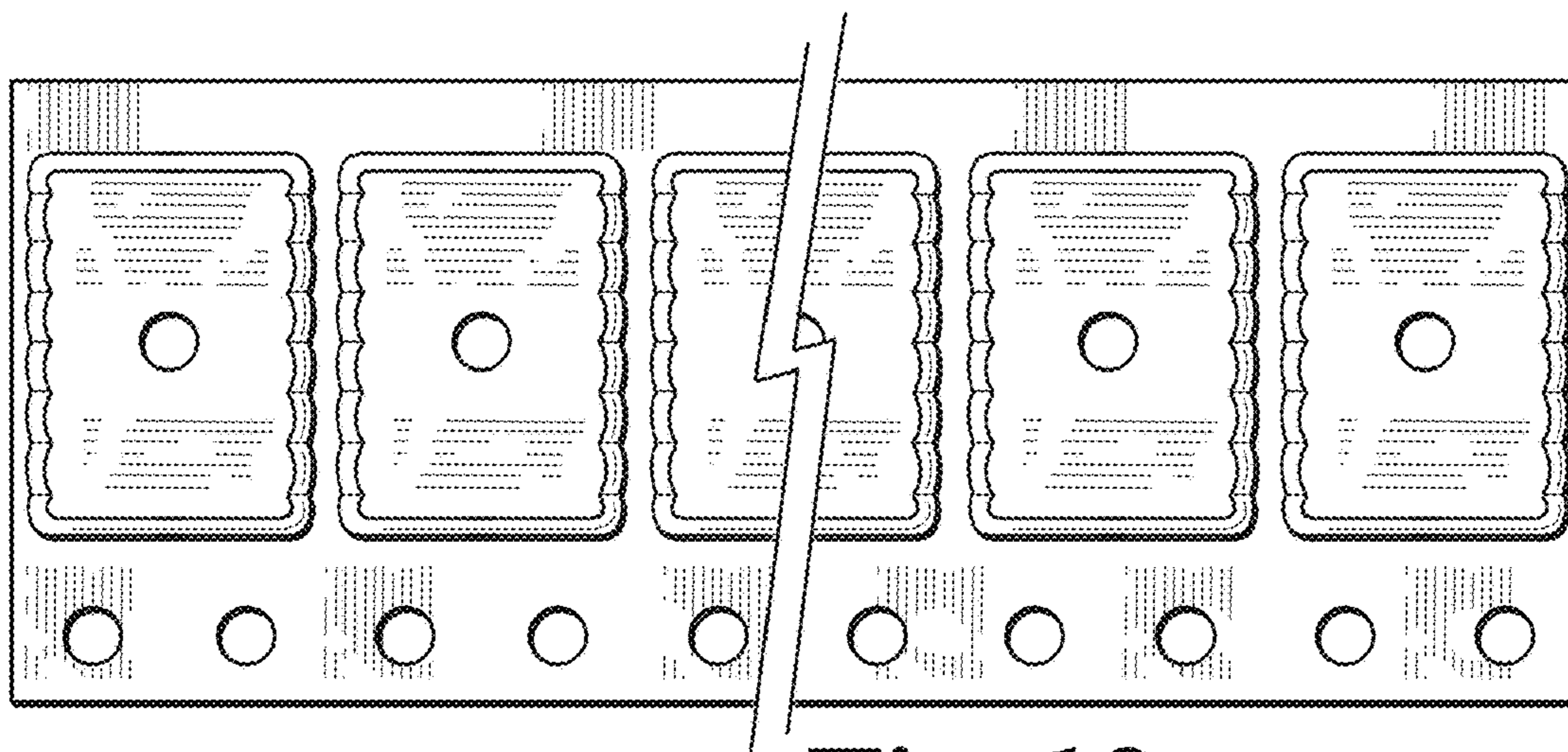


Fig. 19

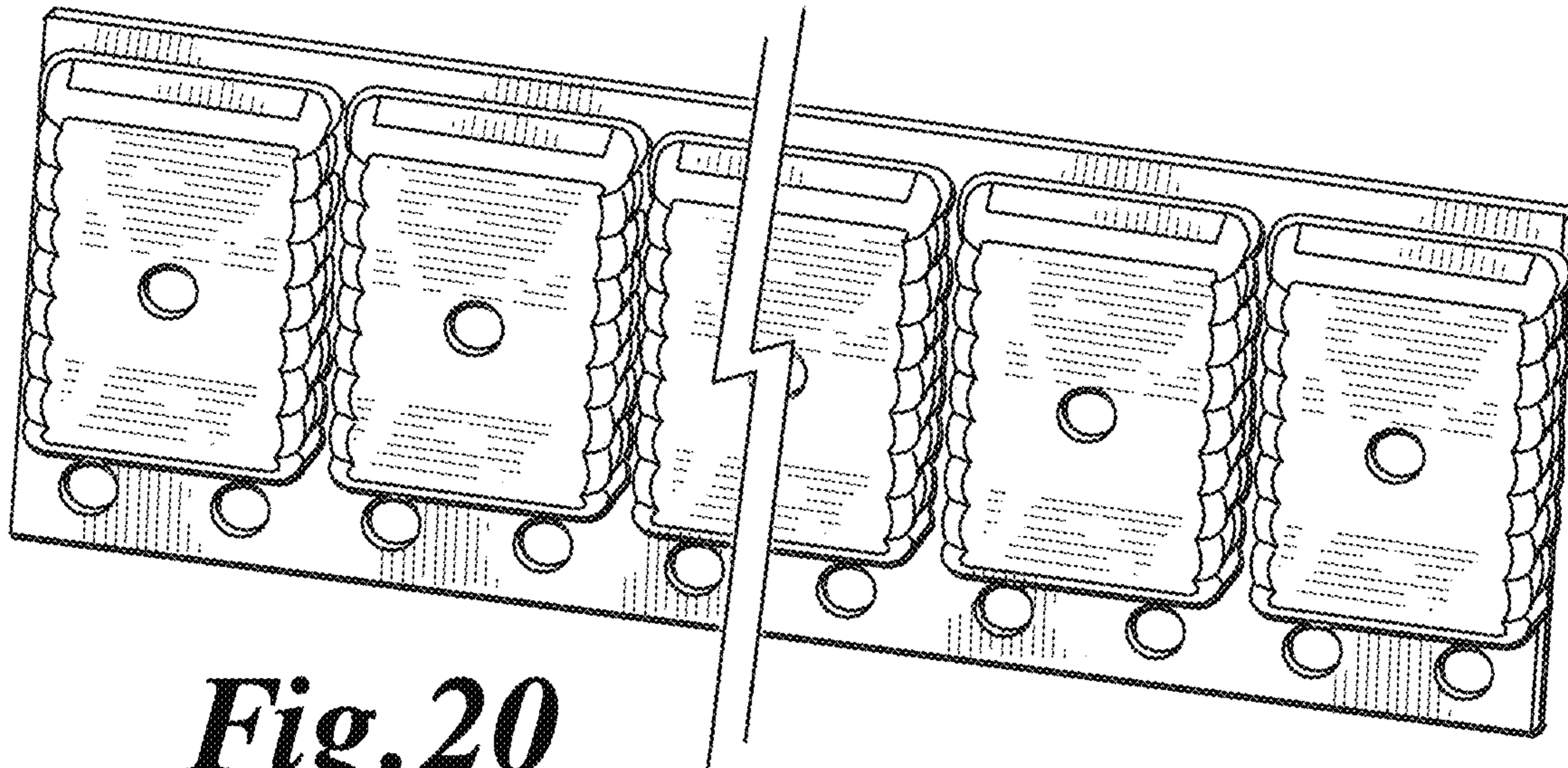


Fig. 20

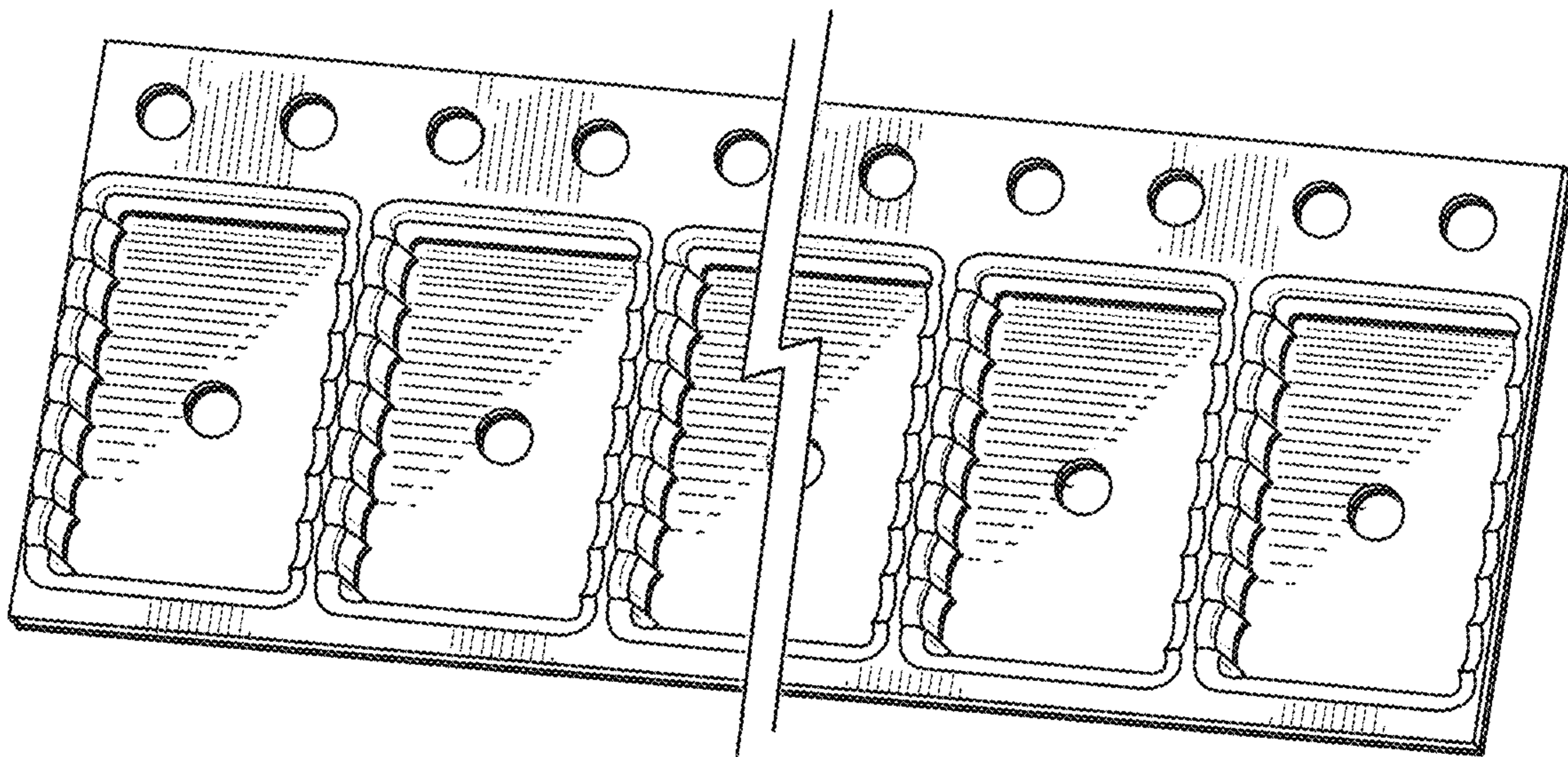


Fig. 21