



US00D876962S

(12) **United States Design Patent** (10) **Patent No.:** **US D876,962 S**
Pheir (45) **Date of Patent:** **** Mar. 3, 2020**

(54) **MULTI-COMPARTMENT ROLL-UP PACKAGING CONTAINER WITH CAP**

Primary Examiner — Jennifer L Watkins
(74) *Attorney, Agent, or Firm* — Gibb & Riley, LLC

(71) Applicant: **Hirshol H. Pheir**, St. Thomas, VI (US)

(72) Inventor: **Hirshol H. Pheir**, St. Thomas, VI (US)

(**) Term: **15 Years**

(21) Appl. No.: **35/505,856**

(22) Filed: **Apr. 11, 2018**

(80) **Hague Agreement Data**

Int. Filing Date: **Apr. 11, 2018**

Int. Reg. No.: **DM/101680**

Int. Reg. Date: **Apr. 11, 2018**

Int. Reg. Pub. Date: **Oct. 12, 2018**

(51) **LOC (12) Cl.** **09-01**

(52) **U.S. Cl.**
USPC **D9/747**

(58) **Field of Classification Search**
USPC D7/505; D9/516, 517, 549–563, 643,
D9/737, 739, 747, 542–546, 686, 691,
D9/682, 651, 520

(Continued)

(56) **References Cited**

U.S. PATENT DOCUMENTS

1,035,258 A 8/1912 Stegman
1,190,196 A 7/1916 Schweinert

(Continued)

FOREIGN PATENT DOCUMENTS

DE 102 07 763 A1 9/2003
FR 1 503 901 12/1967

(Continued)

OTHER PUBLICATIONS

PHE5000PCT, International Search Report and Written Opinion,
Dated Sep. 30, 2015, pp. 1-11.

(Continued)

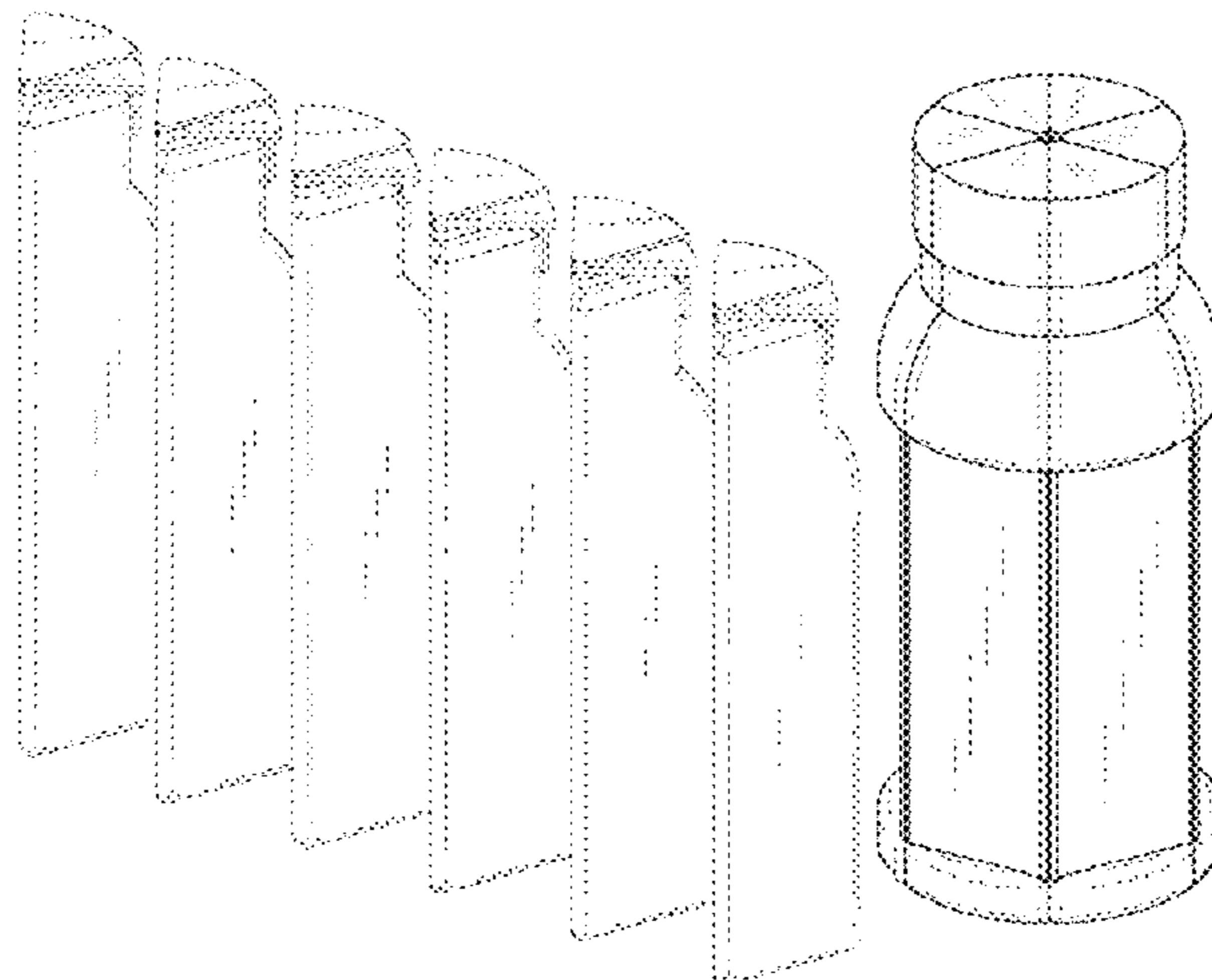
(57) **CLAIM**

The ornamental design for a multi-compartment roll-up packaging container with cap, as shown and described.

DESCRIPTION

1. Multi-compartment roll-up packaging container with cap
1.1 is a fully unrolled (flat) state, of various roll-up states, perspective view of a multi-compartment roll-up packaging container with cap, showing my new design;
1.2 is a flat front elevational view thereof;
1.3 is a flat rear elevational view thereof;
1.4 is a flat left elevational view thereof;
1.5 is a flat right elevational view thereof;
1.6 is a flat top plan view thereof;
1.7 is a flat bottom elevational view thereof;
1.8 is a partially rolled state, of the various roll-up states, perspective view of the multi-compartment roll-up packaging container with cap shown in Figure **1.1**;
1.9 is a partially rolled front elevational view thereof;
1.10 is a partially rolled rear elevational view thereof;
1.11 is a partially rolled left elevational view thereof;
1.12 is a partially rolled right elevational view thereof;
1.13 is a partially rolled top plan view thereof;
1.14 is a partially rolled bottom elevational view thereof;
1.15 is a fully rolled state, of the various roll-up states, perspective view of the multi-compartment roll-up packaging container with cap shown in Figure **1.1**;
1.16 is a fully rolled front elevational view thereof;
1.17 is a fully rolled rear elevational view thereof;
1.18 is a fully rolled left elevational view thereof;
1.19 is a fully rolled right elevational view thereof;
1.20 is a fully rolled top plan view thereof; and
1.21 is a fully rolled bottom elevational view thereof.

1 Claim, 21 Drawing Sheets



(58) **Field of Classification Search**

CPC B65D 1/04; B65D 25/04; B65D 81/3288;
 B65D 21/0204; B65D 81/3283; B65D
 35/22; B65D 1/30; B65D 21/0201; B65D
 41/26; B65D 71/48; B65D 83/68; B65D
 11/00; B65D 1/06; B65D 21/0209; B65D
 47/06; B65D 47/265; B65D 5/5495;
 B65D 81/025; B65D 81/32; B65D
 81/3216

See application file for complete search history.

(56) **References Cited**

U.S. PATENT DOCUMENTS

2,665,816 A 1/1954 Anft
 2,726,004 A 12/1955 Mcleod
 2,845,976 A 8/1958 Miller
 D197,862 S 3/1964 Wills et al.
 D197,863 S 3/1964 Wills et al.
 D200,977 S * 4/1965 Baum D9/553
 3,206,897 A 9/1965 Hilker et al.
 3,245,528 A 4/1966 Holley
 3,257,154 A 6/1966 Lewis
 3,295,710 A 1/1967 Marchant
 3,386,607 A 6/1968 Keene
 3,559,866 A 2/1971 Olson, Sr.
 3,785,545 A 1/1974 Roussel
 4,004,501 A 1/1977 Guerrero
 4,081,101 A 3/1978 West
 4,126,239 A 11/1978 Gehrig et al.
 4,139,114 A 2/1979 Long et al.
 4,165,812 A 8/1979 Jennison
 4,320,846 A 3/1982 Meyering et al.
 4,326,628 A 4/1982 Wood
 4,799,590 A 1/1989 Furman
 4,890,741 A 1/1990 Edelstein
 4,919,293 A 4/1990 Buckley
 D308,480 S * 6/1990 Hoyt D7/591
 D324,121 S 2/1992 Schierlinger
 5,135,823 A 8/1992 Eales
 5,156,289 A 10/1992 Goof
 5,223,245 A * 6/1993 Ibrahim A61K 8/02
 206/568
 5,310,071 A 5/1994 Rivlin et al.
 5,344,006 A 9/1994 Mazzeo
 5,351,815 A 10/1994 Fogle et al.
 5,351,816 A 10/1994 Sutherland et al.
 D354,909 S * 1/1995 Blanche D7/596
 5,615,765 A * 4/1997 Roericht A45C 11/04
 206/45.23
 5,676,253 A 10/1997 Hsu
 5,676,274 A 10/1997 Green et al.
 5,752,464 A 5/1998 King et al.
 5,823,136 A 10/1998 Zarski
 D407,306 S 3/1999 Saab
 D415,023 S * 10/1999 Snyder D9/747
 6,085,908 A 7/2000 Lento
 6,244,501 B1 6/2001 Choi
 D463,120 S 9/2002 Yoshinaka
 D468,535 S 1/2003 McCormack
 D489,271 S 5/2004 Soomar
 D556,321 S 11/2007 Starnes

D570,682 S 6/2008 Erden
 7,665,634 B2 2/2010 Pressler
 7,699,211 B2 4/2010 Holloway
 7,810,667 B2 10/2010 Douglas
 8,074,801 B2 12/2011 Slayton
 8,267,013 B2 9/2012 Moore
 8,338,357 B2 12/2012 Gibis et al.
 D691,810 S * 10/2013 Dana D4/108
 8,616,390 B2 * 12/2013 Kountotsis B65D 81/3288
 215/6
 D702,998 S 4/2014 Fugere
 D711,254 S 8/2014 Madda
 D711,255 S 8/2014 Madda
 D724,893 S * 3/2015 Dirks D7/507
 9,084,480 B2 7/2015 Atwood
 D735,994 S 8/2015 Mangano
 9,199,767 B1 * 12/2015 Pheir B65D 11/00
 9,346,585 B2 5/2016 Hendrickson et al.
 D760,091 S * 6/2016 Pheir D9/756
 D766,737 S * 9/2016 Pheir D9/737
 D766,739 S * 9/2016 Pheir D9/756
 9,469,455 B2 10/2016 Clough
 2004/0149774 A1 8/2004 Strong
 2010/0243499 A1 * 9/2010 Slayton A61F 13/55145
 206/440
 2013/0206772 A1 8/2013 Halbherr et al.
 2014/0216956 A1 8/2014 Ott
 2016/0236821 A1 8/2016 Pheir
 2017/0081076 A1 3/2017 Meroz

FOREIGN PATENT DOCUMENTS

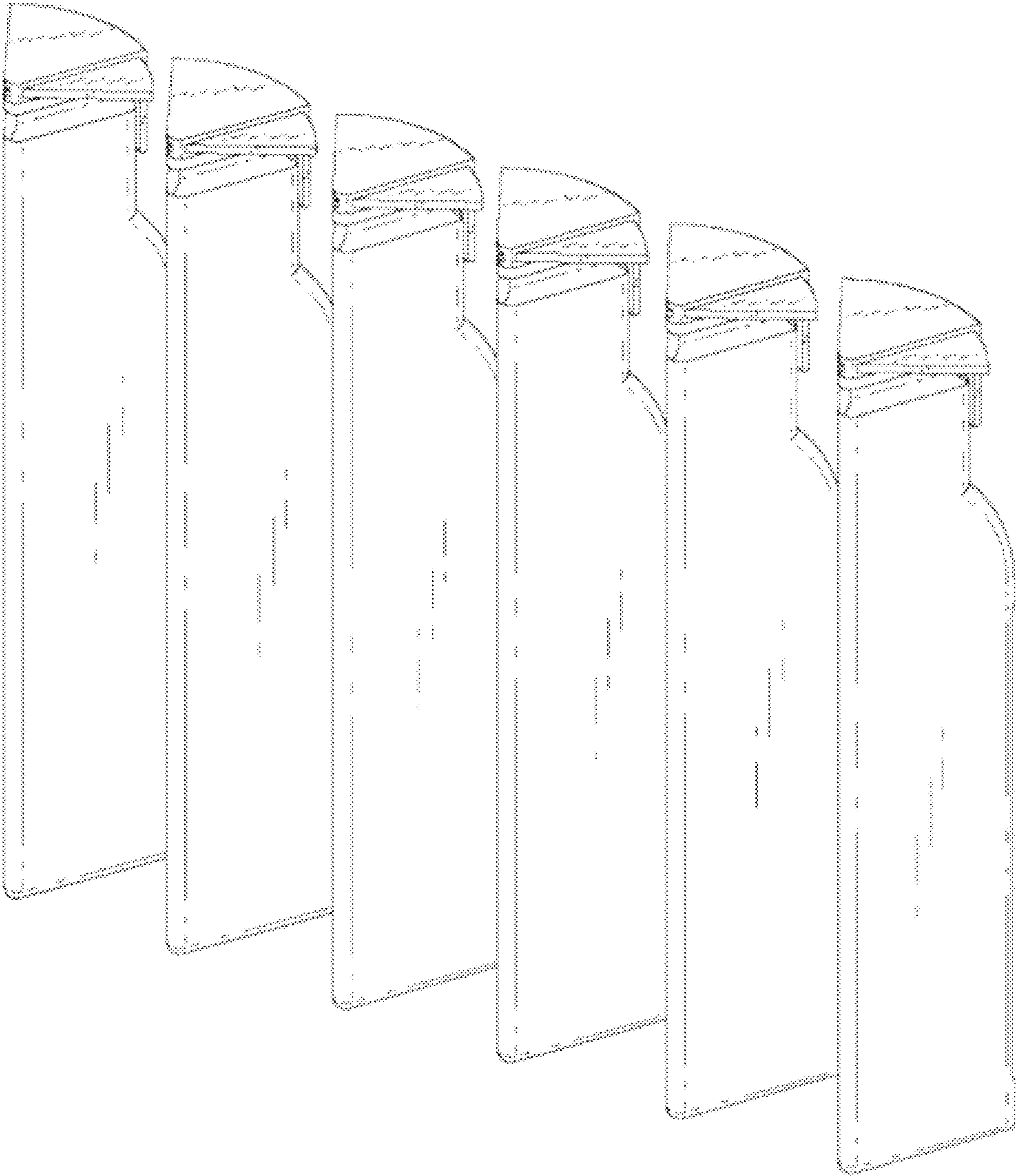
GB 2 305 162 4/1997
 KR 200203011 Y1 11/2000
 WO 01/044065 A1 6/2001
 WO 2005/110872 A1 11/2005
 WO 2017/044992 A1 3/2017

OTHER PUBLICATIONS

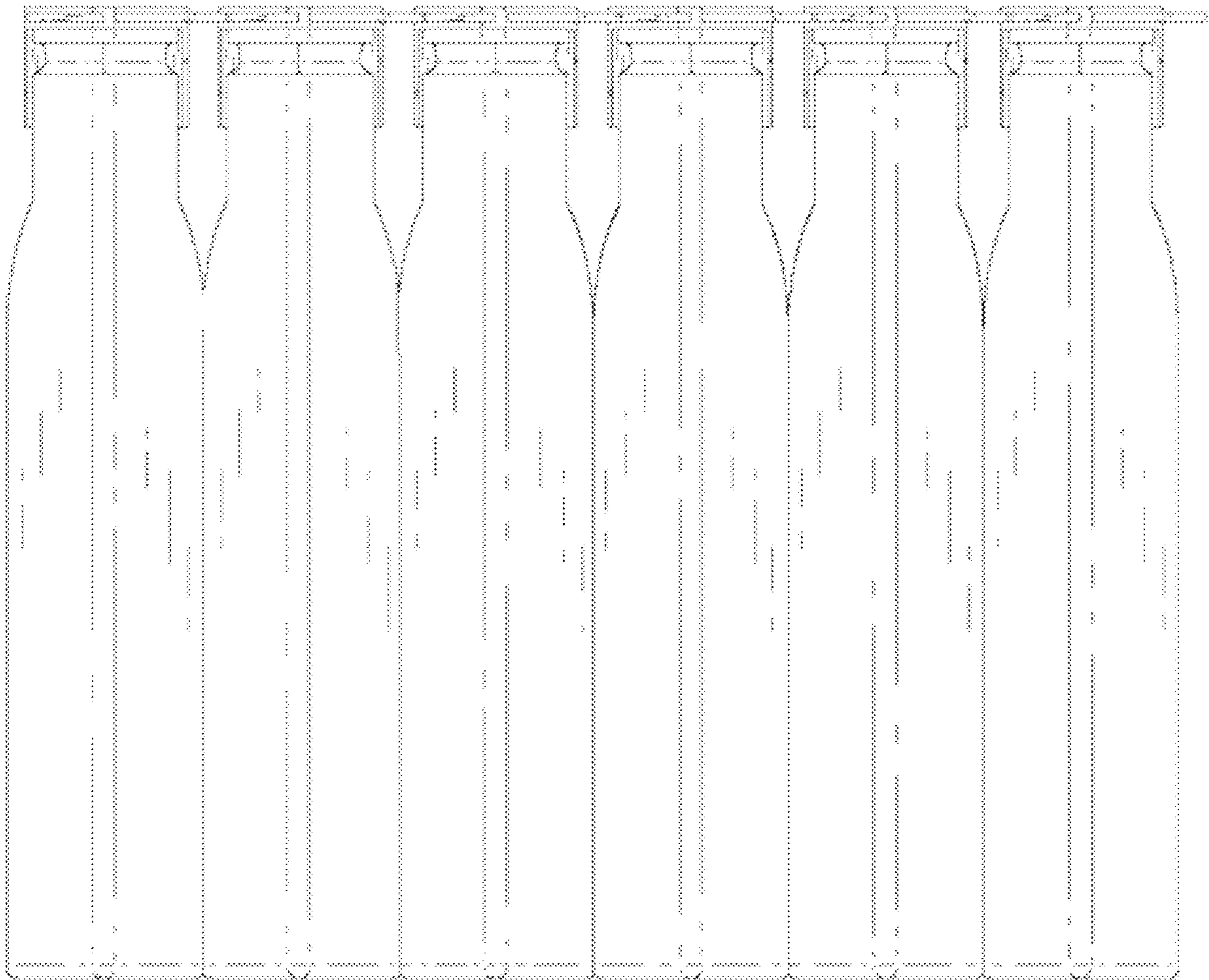
Chained Polyhedral Portion Packs, available Aug. 16, 2011, [online], [site visited Mar. 14, 2018]. Available from Internet, <URL: <http://beachpackagingdesign.com/boxvox/chained-polyhedral-portion-packs>.
 Stephanie Sansregret's L'Kit de Survie (via Packaging UQAM), available Feb. 26, 2011, [online], [site visited Mar. 14, 2018]. Available from internet, <URL:<http://packaginguqam.blogspot.com/2011/02/Ikit-de-survie-stephanie-sansregret.html>.
 Laurence Gregoire's Chocolat Chaud (via Packaging UQAM) available Jan. 15, 2012, [online], [site visited Mar. 14, 2018]. Available from internet, <URL: <http://packaginguqam.blogspot.com/2010/03/chocolat-chaud-laurence-gregoire.html>.
 Veronica Jarquin's Ludo Pasta, available Nov. 15, 2011, [online], [site visited Mar. 14, 2018]. Available from internet, <URL: <https://www.behance.net/gallery/2513781/Ludo-package-design>.
 PHE5000PCT, International Search Report and Written Opinion, dated Aug. 24, 2017, pp. 1-7.
 PHE5001PCT, International Application No. PCT/US2018/027004, International Search Report and Written Opinion dated Dec. 20, 2018, pp. 1-12.

* cited by examiner

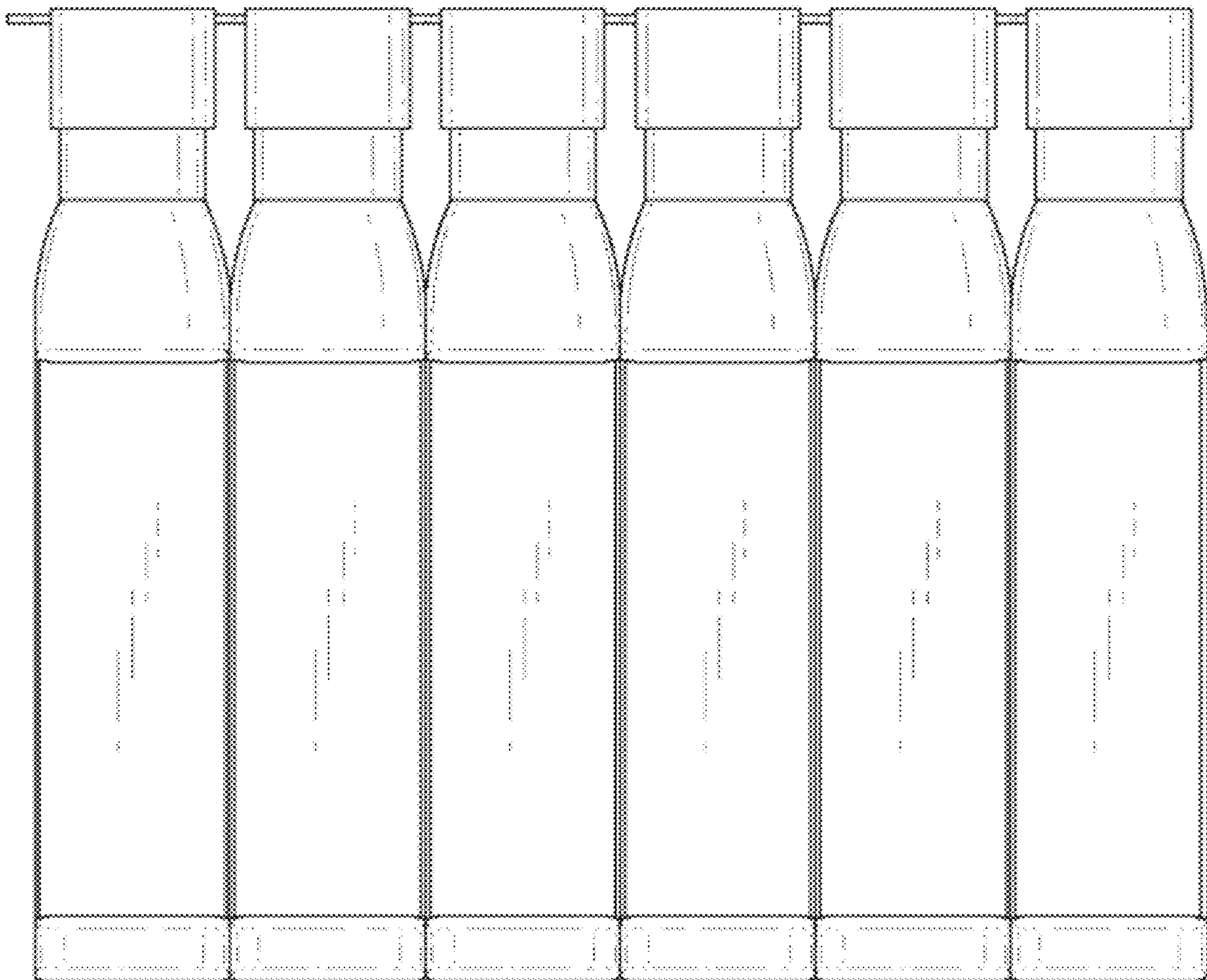
1.1



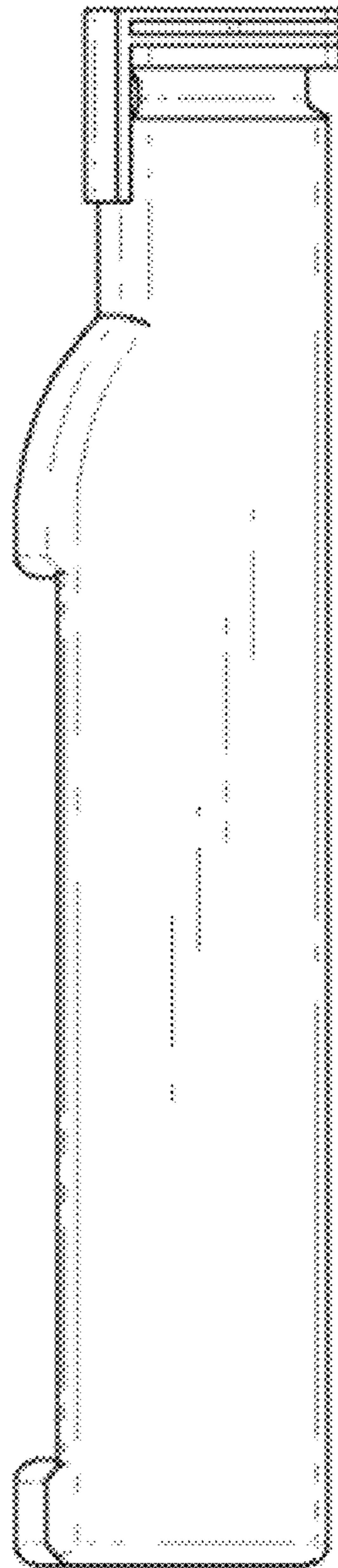
1.2



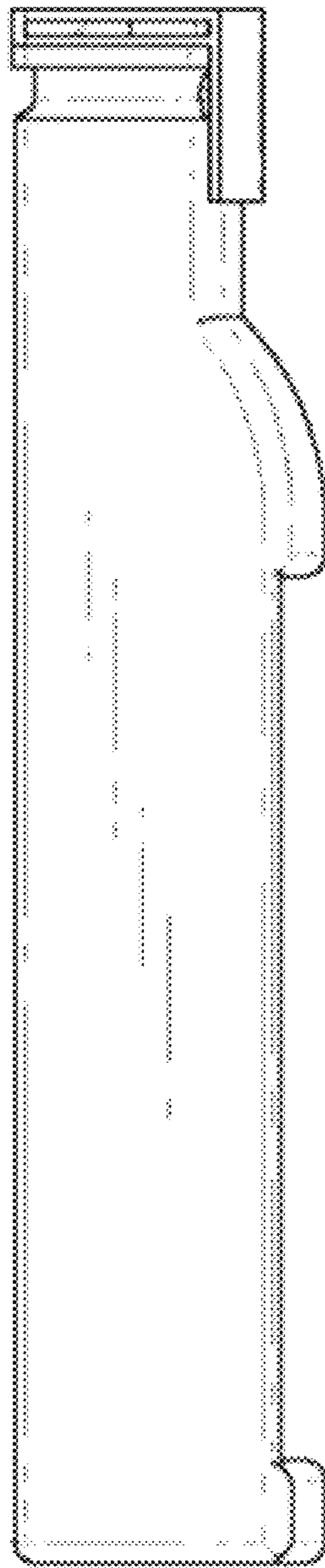
1.3



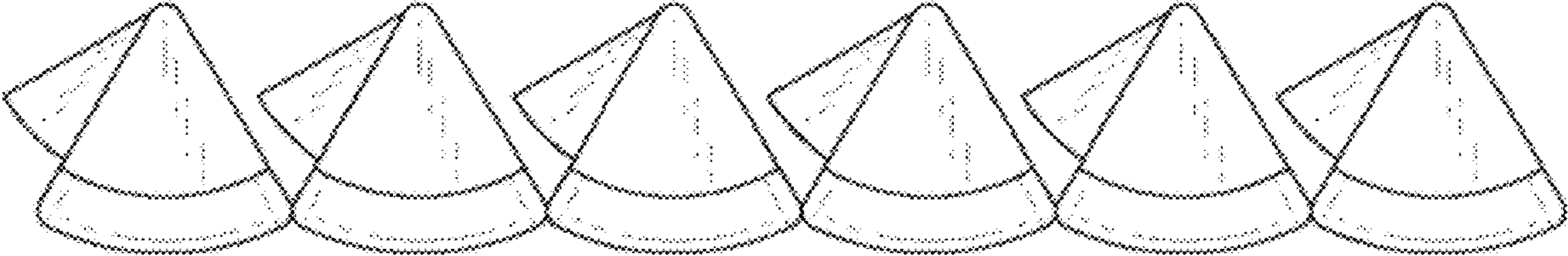
1.4



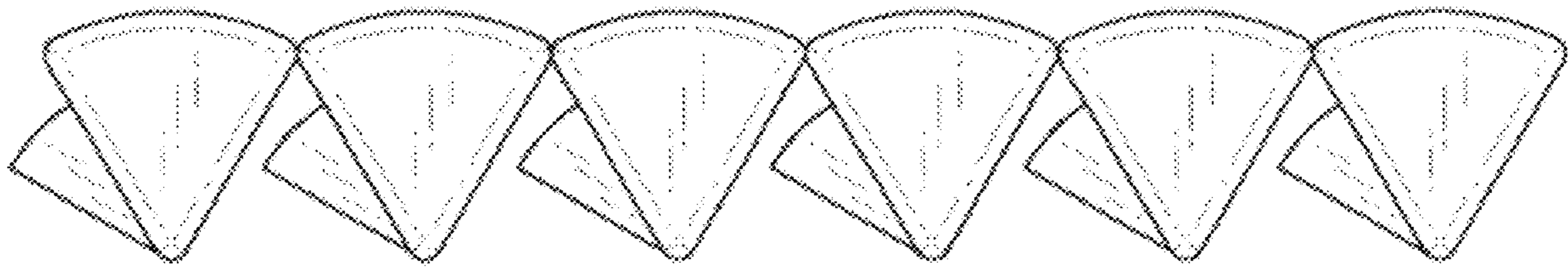
1.5



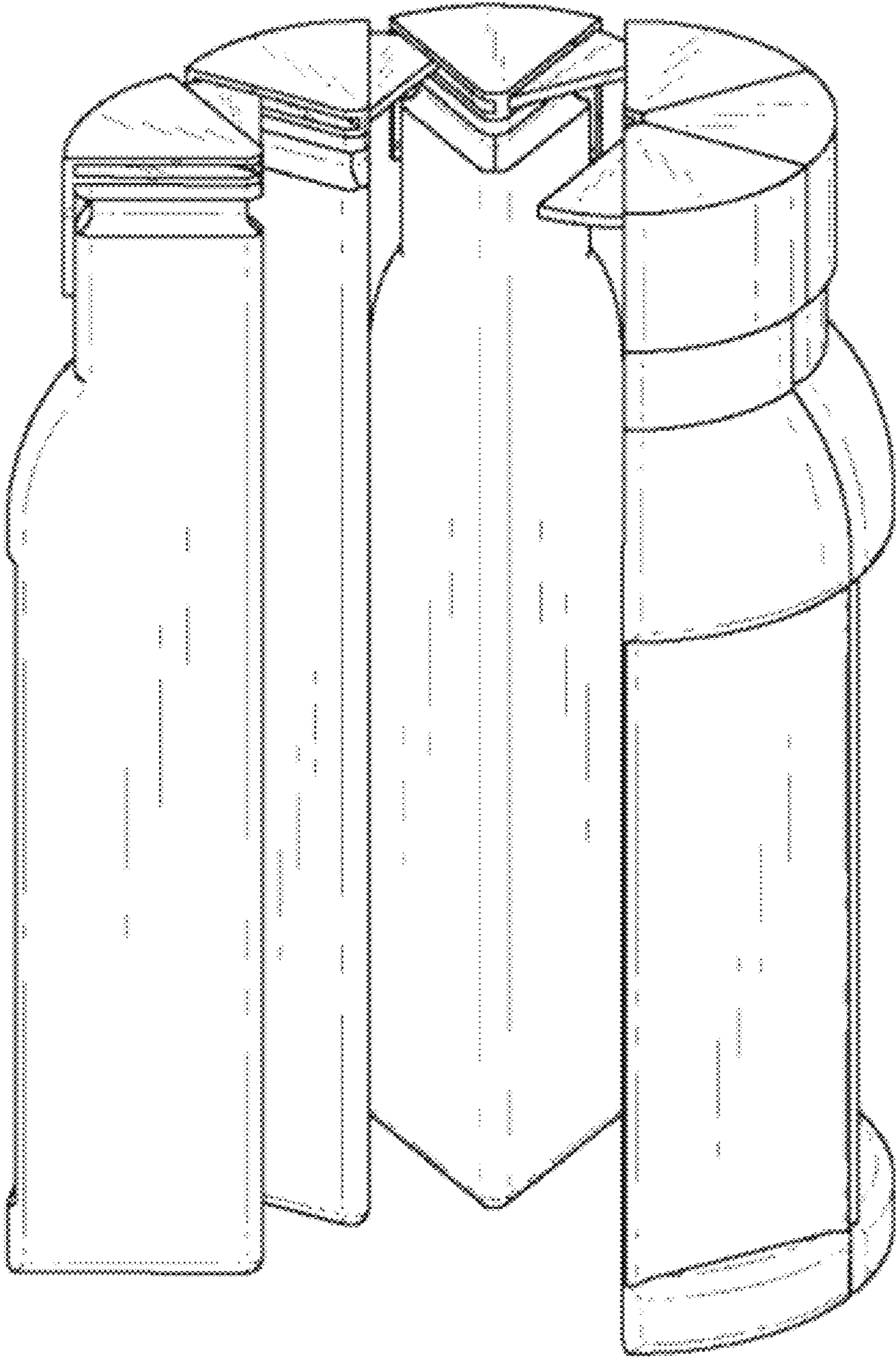
1.6



1.7



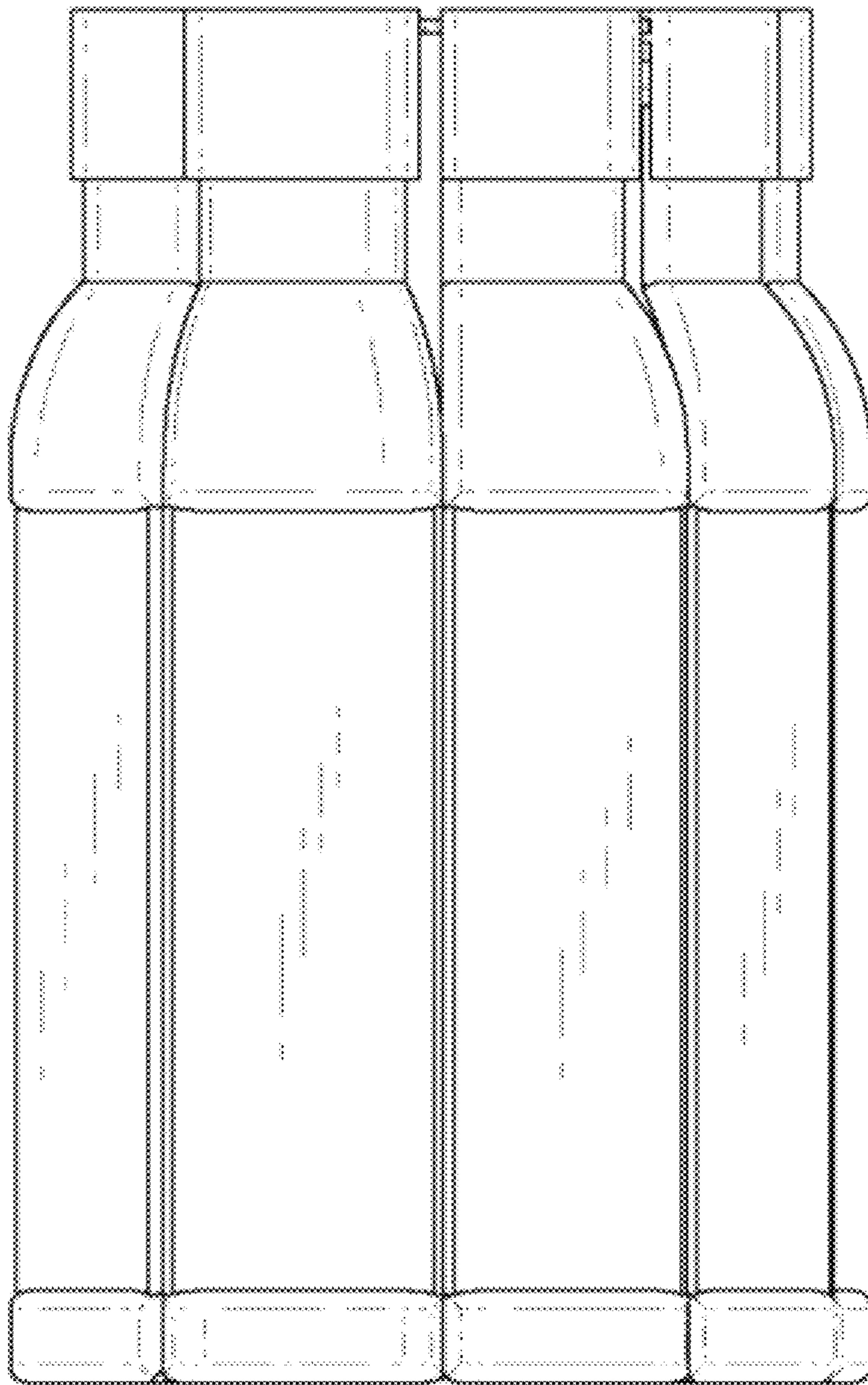
1.8



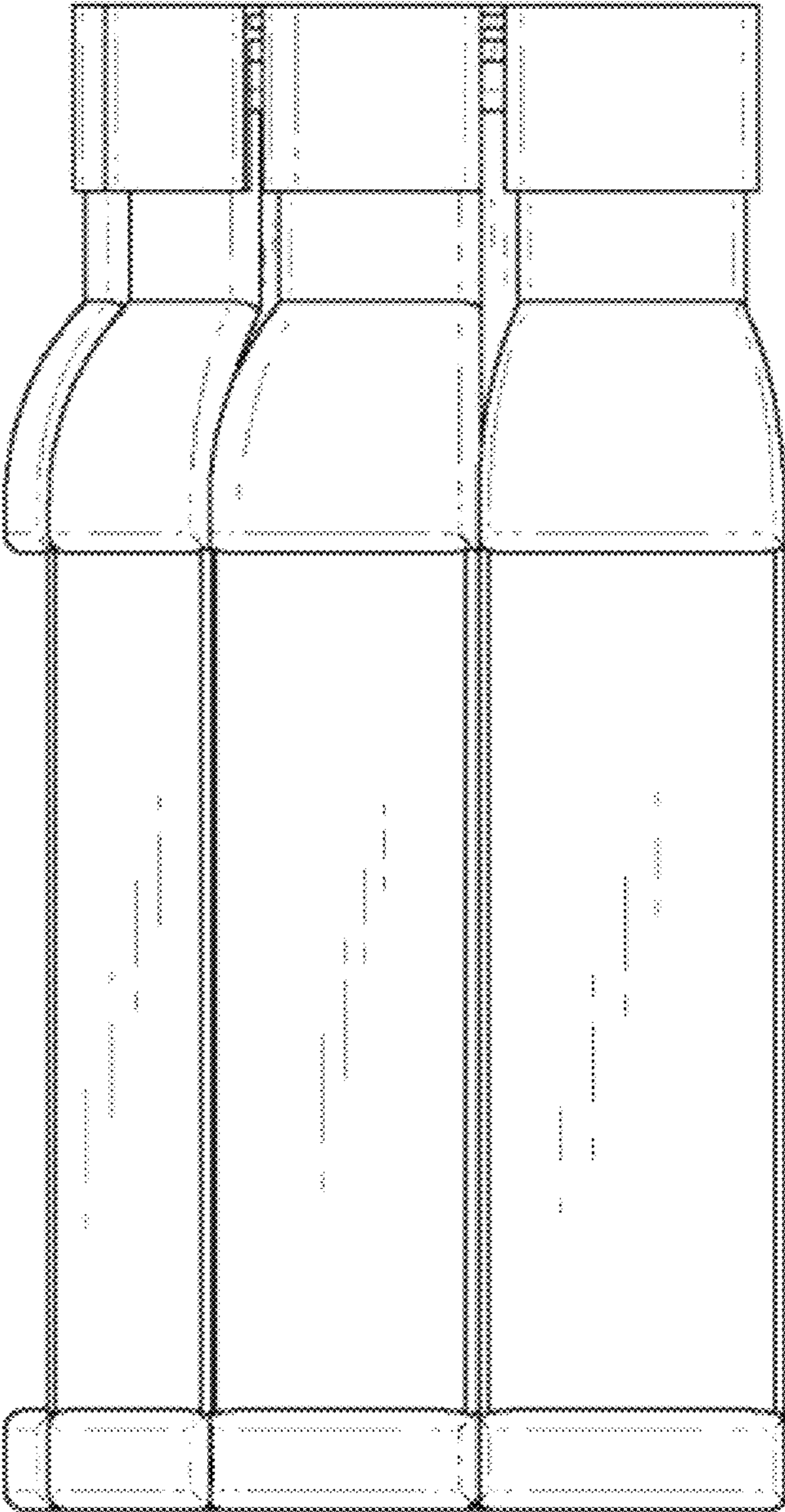
1.9



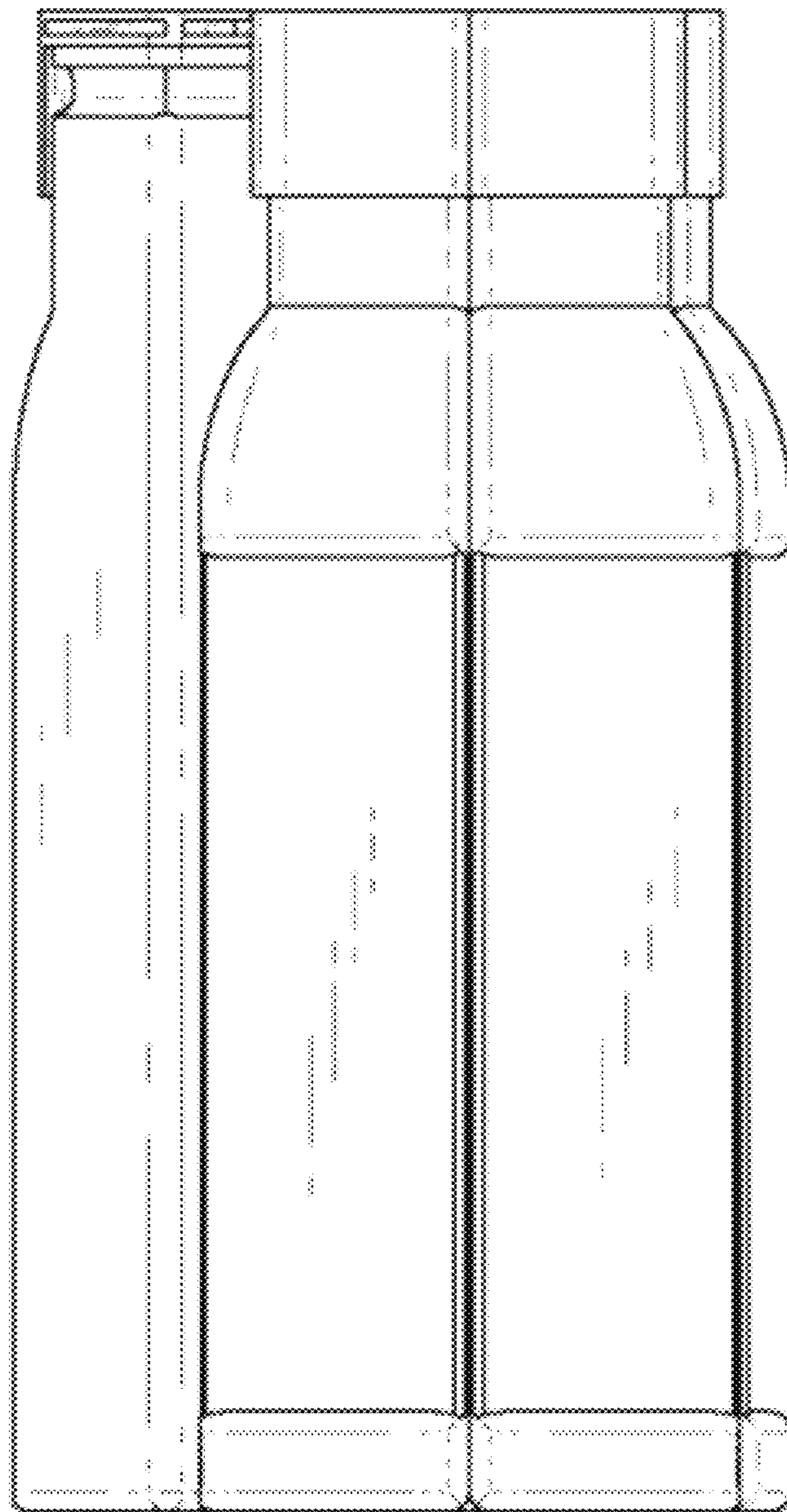
1.10



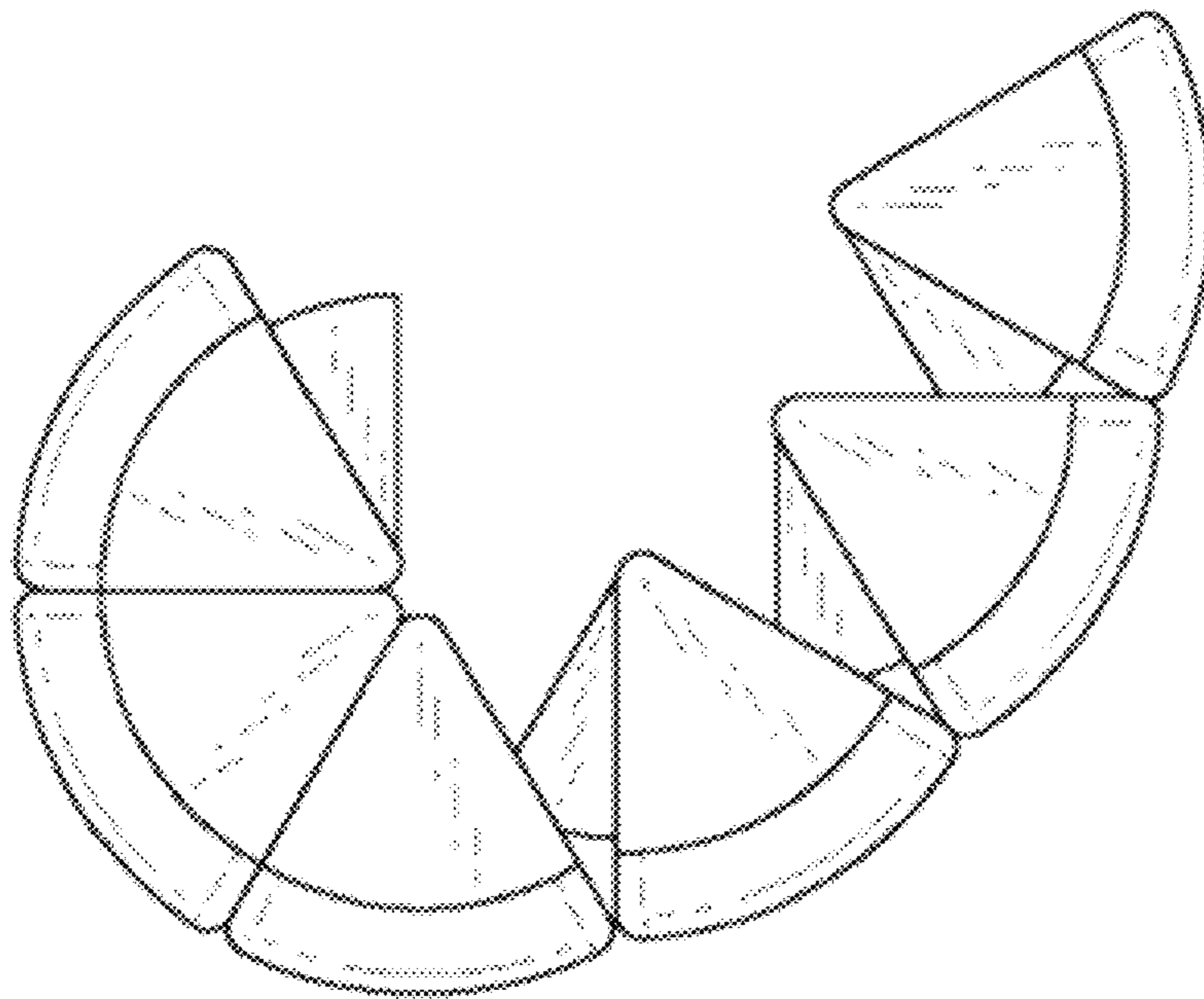
1.11



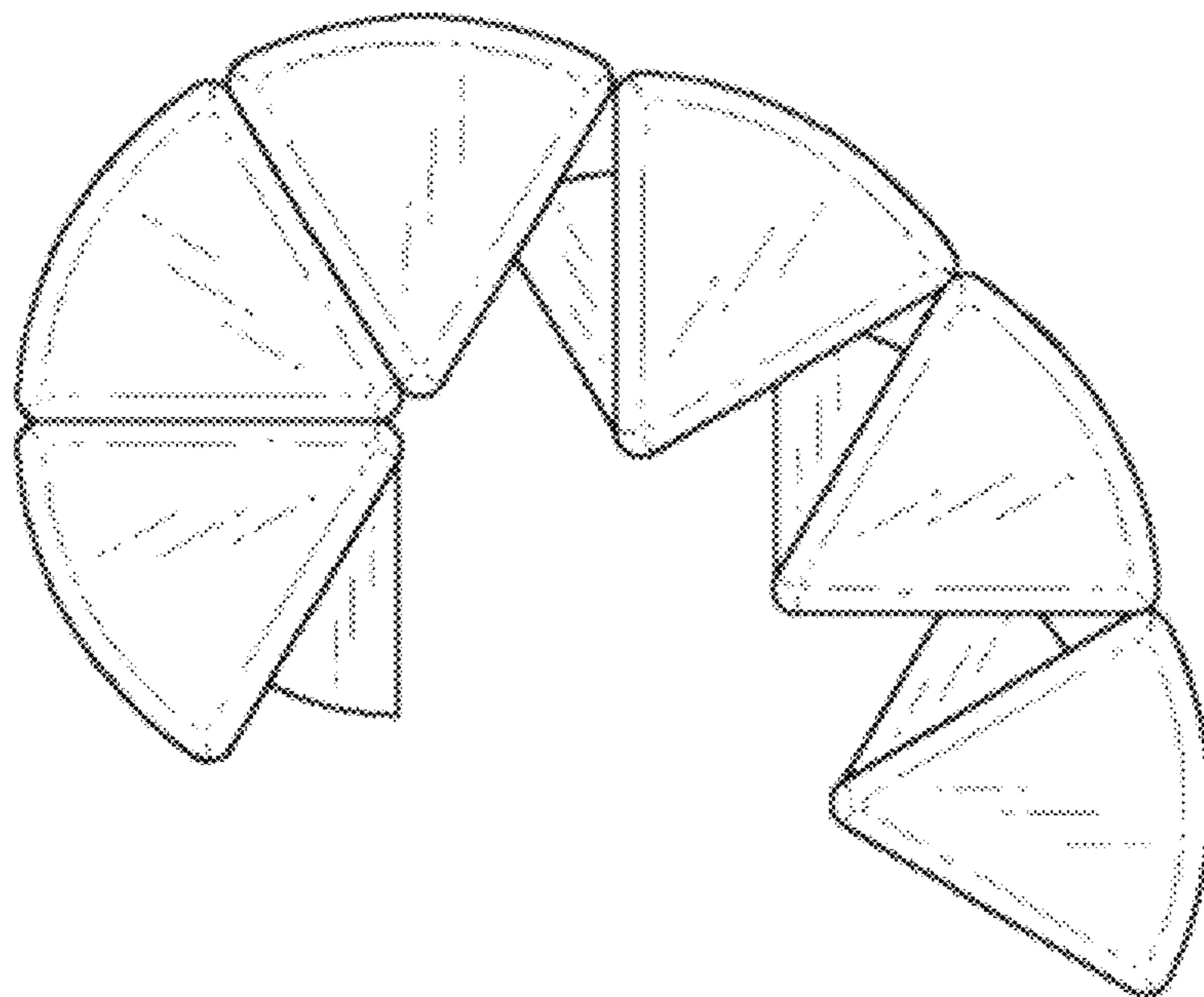
1.12



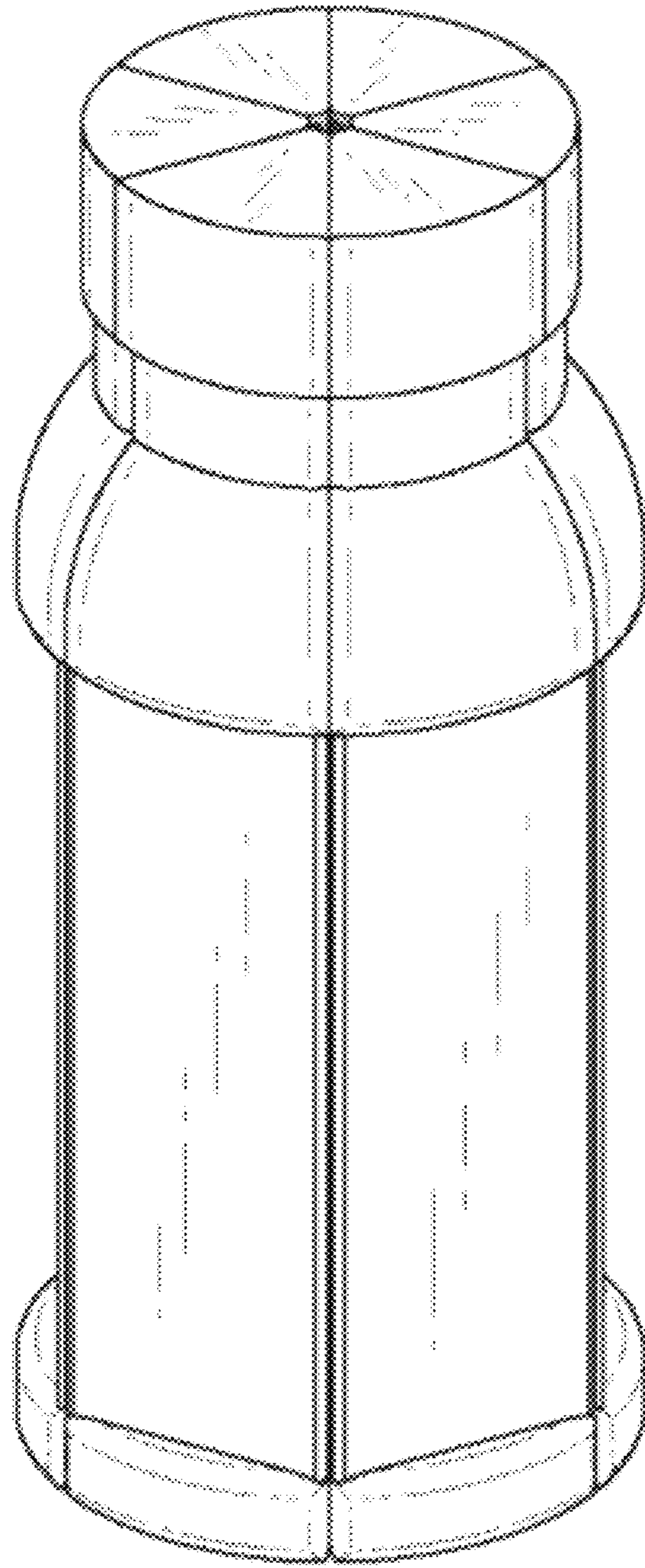
1.13



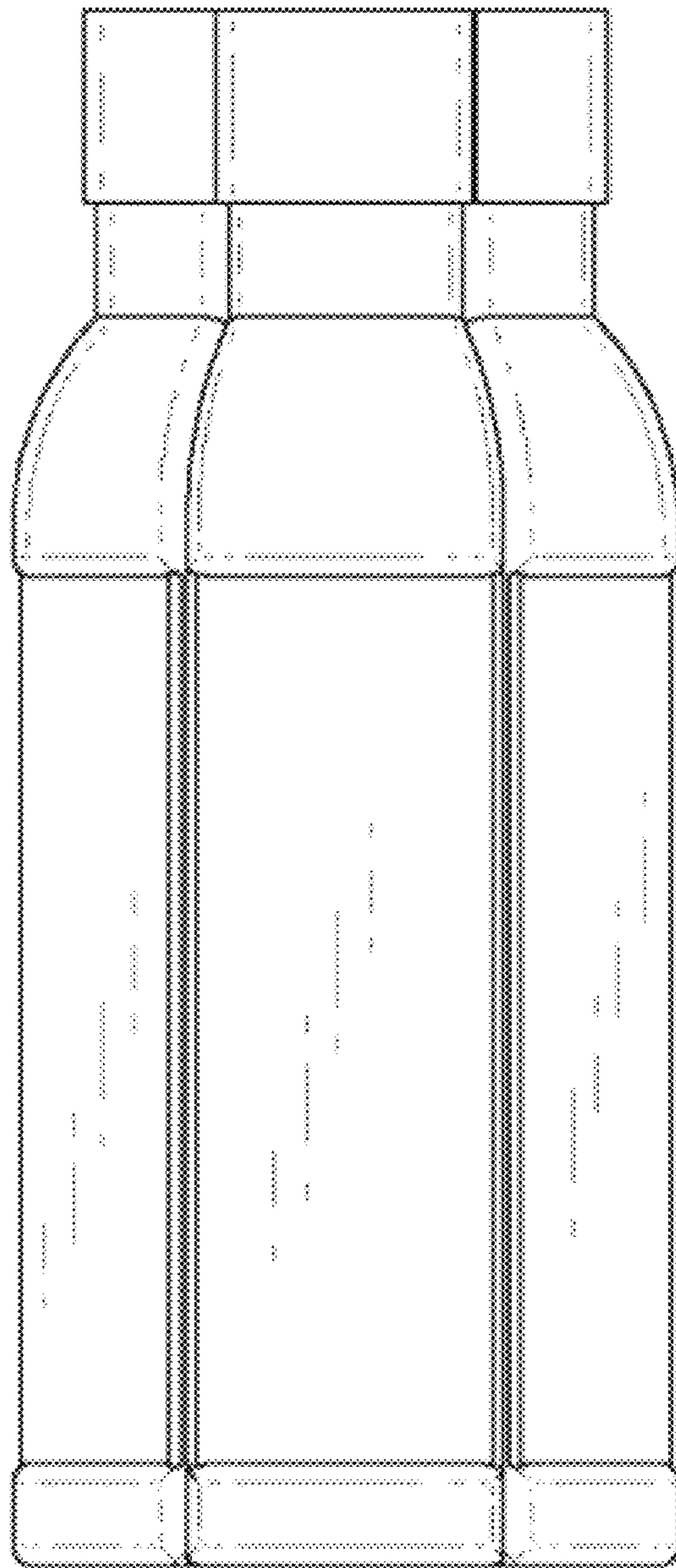
1.14



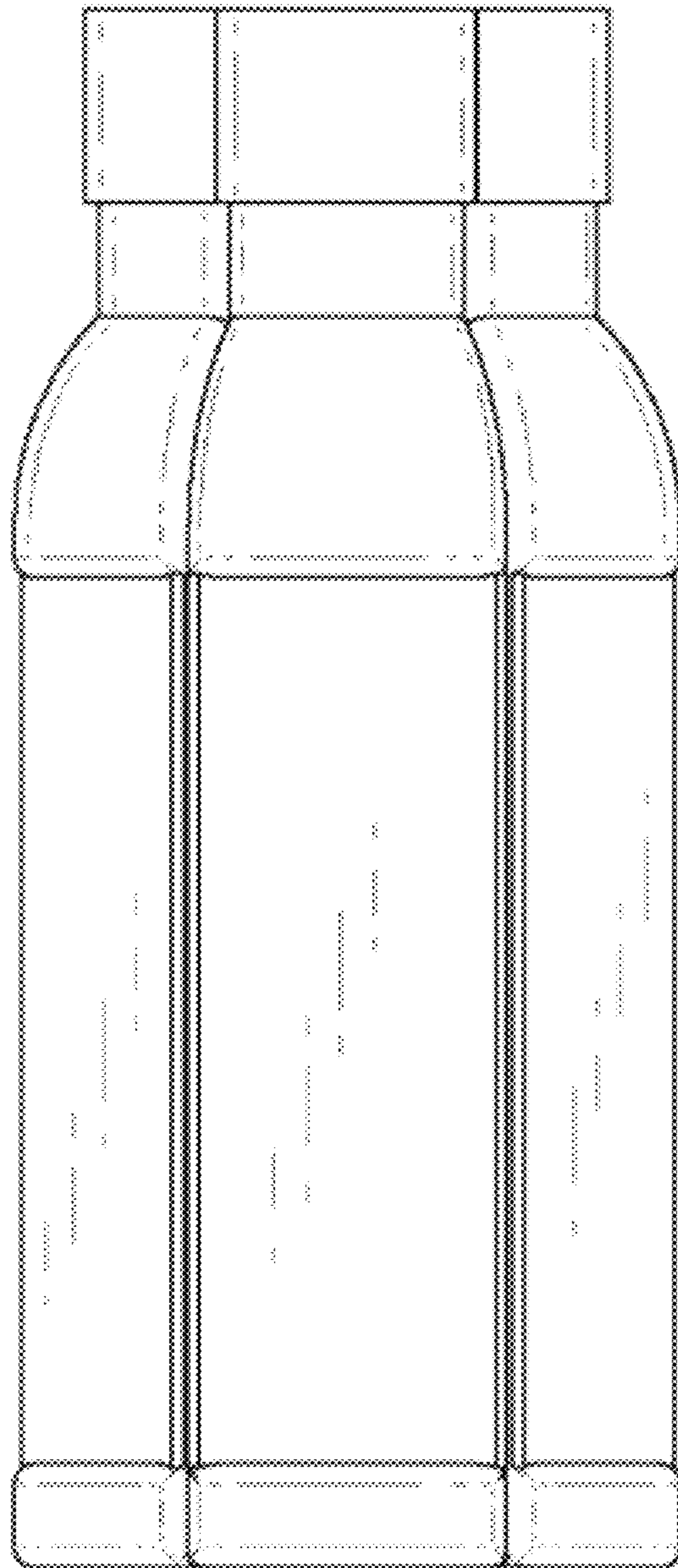
1.15



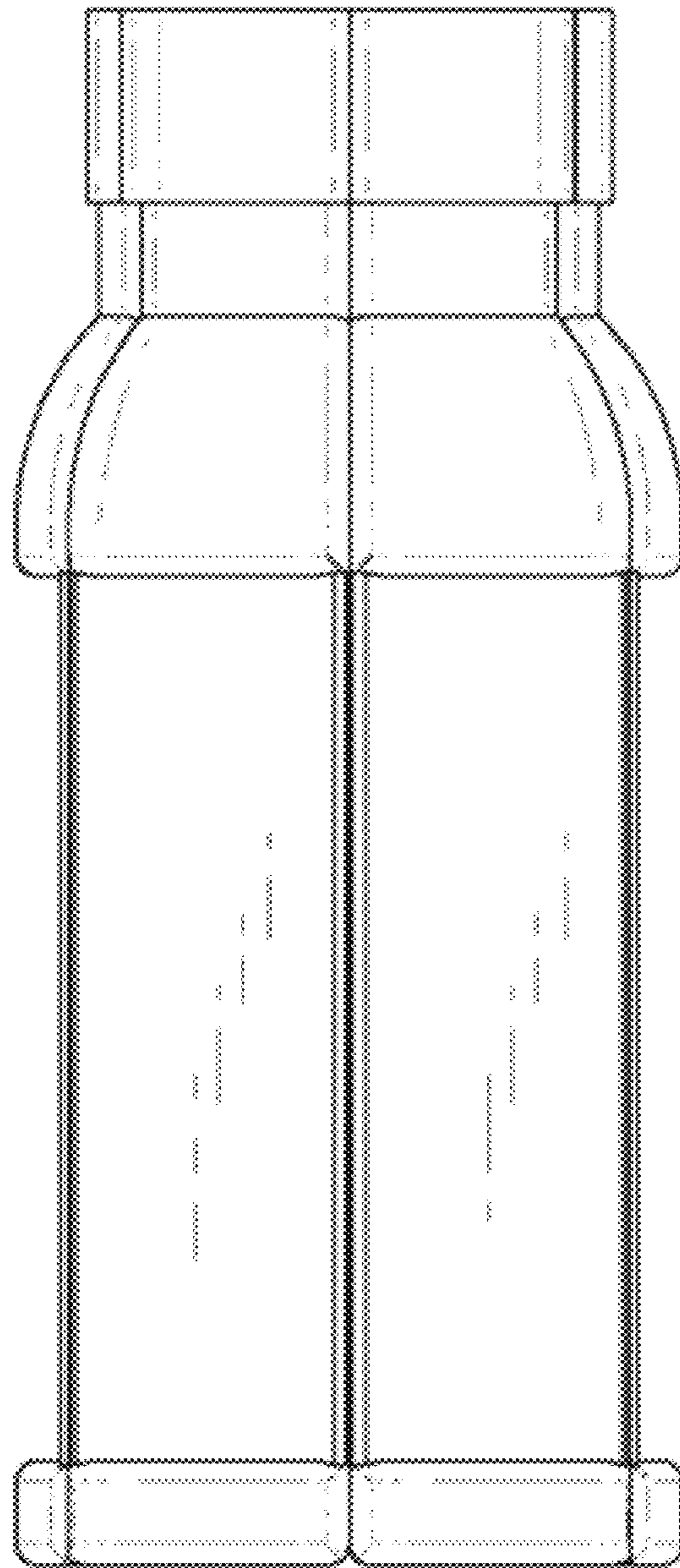
1.16



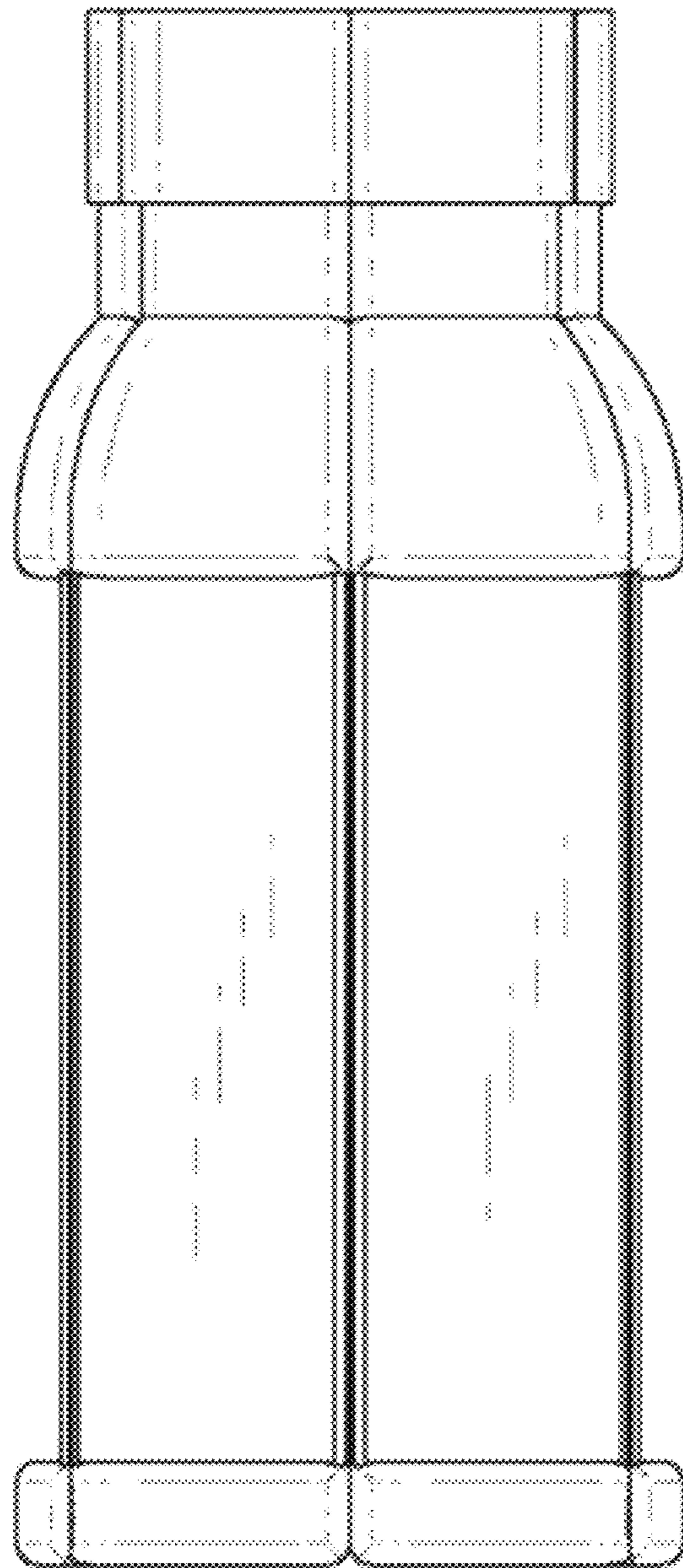
1.17



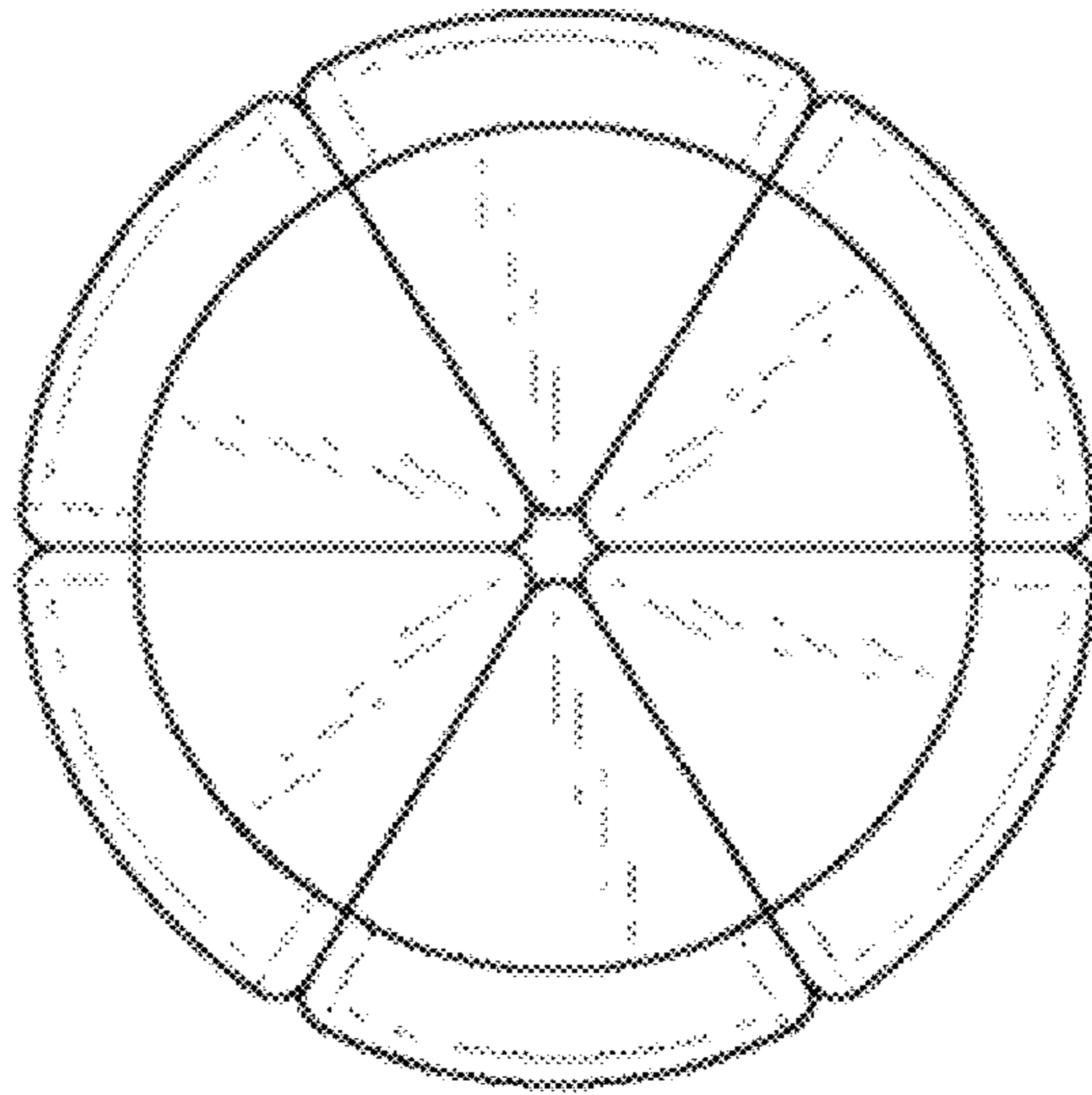
1.18



1.19



1.20



1.21

