



US00D876959S

(12) **United States Design Patent**
Kedairy

(10) **Patent No.:** **US D876,959 S**
(45) **Date of Patent:** **** Mar. 3, 2020**

(54) **AMMUNITION CARTRIDGE TRAY**
(71) Applicant: **Skychase Holdings Corporation,**
Alachua, FL (US)
(72) Inventor: **Faisal Kedairy,** Vienna (AT)
(73) Assignee: **Skychase Holdings Corporation,**
Alachua, FL (US)

3,282,636 A * 11/1966 Rigterink F42B 39/00
206/3
3,643,812 A * 2/1972 Mander B01L 9/06
211/74
3,647,105 A * 3/1972 Keeslar B01L 9/06
220/23.4
3,701,449 A 10/1972 Schoeller
D274,789 S * 7/1984 Brown D9/758
D274,885 S 7/1984 Joice et al.
4,671,405 A * 6/1987 Hagan B65D 1/24
206/139
4,811,836 A * 3/1989 Minneman F42B 39/26
206/3
5,052,549 A 10/1991 Scharch
6,082,529 A 7/2000 DeLuca et al.
(Continued)

(**) Term: **15 Years**
(21) Appl. No.: **29/618,548**
(22) Filed: **Sep. 21, 2017**

(30) **Foreign Application Priority Data**

Sep. 21, 2017 (EM) 004366193

(51) **LOC (12) Cl.** **09-03**
(52) **U.S. Cl.**
USPC **D9/737**

(58) **Field of Classification Search**
USPC D9/341, 758, 456, 737, 756;
D3/313-315, 304, 311; D24/227;
D7/701, 605, 550.1; D22/108, 115, 116,
D22/199; 206/3, 139, 201-203, 427, 523,
206/461, 470, 521.8, 317, 372, 477, 480,
206/482, 560, 561, 564, 565, 587, 592,
206/593, 705; 86/47; 220/4.26, 508,
220/521, 4.22-4.24, 306, 323, 324;
229/87.02, 406, 407; 224/253, 239, 203,
224/252, 240, 241, 914
CPC F41A 9/83; F41A 9/82; F41A 9/01; F41A
9/09; F41A 9/86; B65D 1/36; B65D
21/0209; F42B 39/00; F42B 39/26
See application file for complete search history.

(56) **References Cited**

U.S. PATENT DOCUMENTS

2,240,663 A 5/1941 Vincent
3,101,840 A * 8/1963 Canning, Jr. F42B 39/26
206/3

Primary Examiner — W. A. Teddy Falloway

(74) *Attorney, Agent, or Firm* — Whitmyer IP Group LLC

(57) **CLAIM**

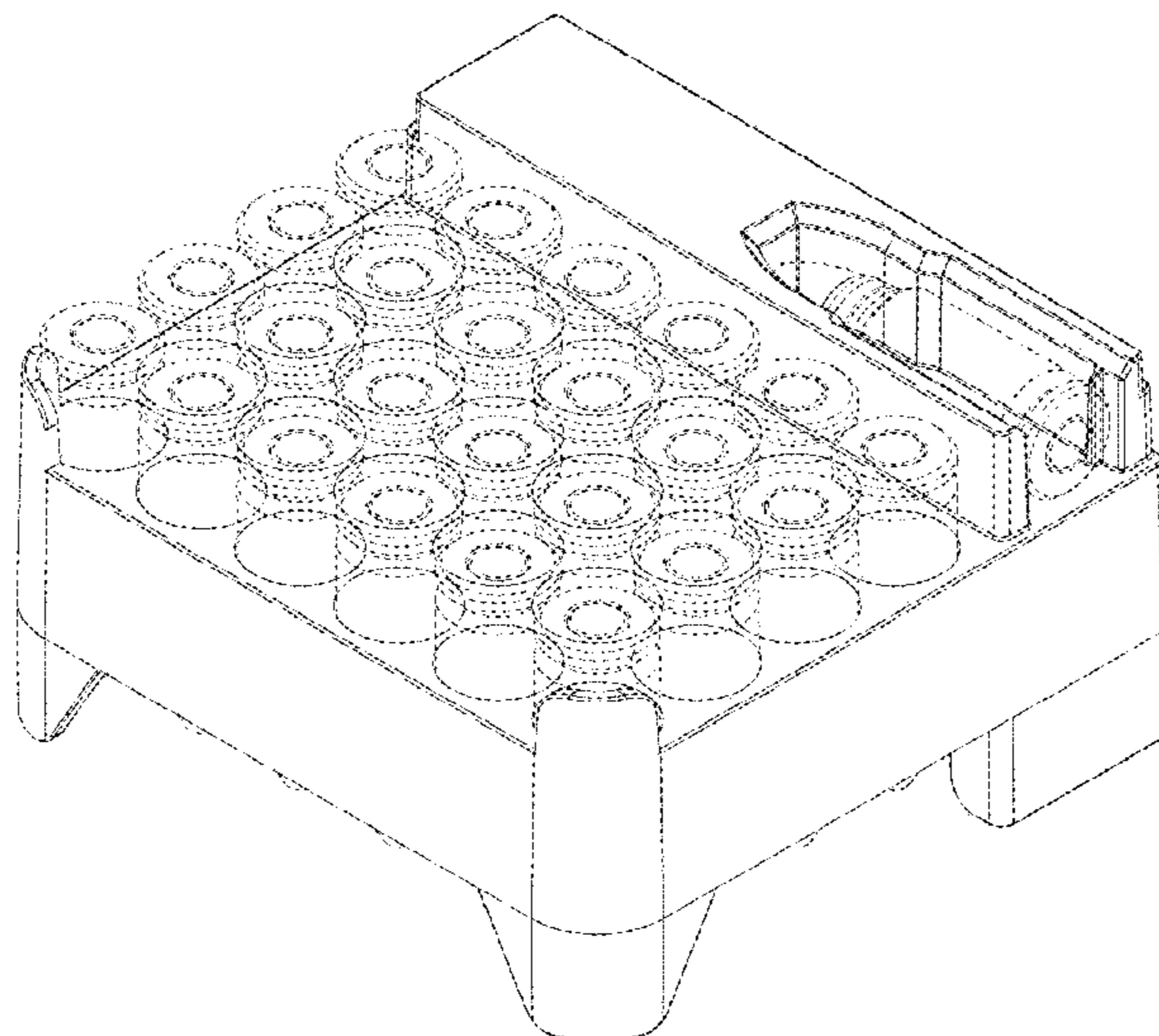
The ornamental design for an ammunition cartridge tray, as shown and described.

DESCRIPTION

FIG. 1 is an isometric view of an ammunition cartridge tray in accordance with the new design; FIG. 2 is a top view thereof; FIG. 3 is a bottom view thereof; FIG. 4 is a front view thereof; FIG. 5 is a rear side view thereof; FIG. 6 is a left-side view thereof; and, FIG. 7 is a right-side view thereof.

The broken lines showing ammunition cartridges represent environmental structure that forms no part of the claimed design. All other broken lines illustrate portions of the ammunition cartridge tray and form no part of the claimed design.

1 Claim, 7 Drawing Sheets



(56)

References Cited

U.S. PATENT DOCUMENTS

7,395,922 B1 * 7/2008 Sinha F42B 39/26
 206/3
 D639,447 S * 6/2011 Karpiloff D24/230
 D666,419 S 9/2012 Riedesel et al.
 8,899,417 B1 * 12/2014 Chen B25H 3/003
 206/372
 9,038,817 B2 * 5/2015 Connolly B65B 5/08
 206/3
 9,267,776 B2 * 2/2016 McClaughry B65B 5/08
 D754,276 S 4/2016 Runell et al.
 D755,325 S * 5/2016 Cauley, Jr. D22/108
 D761,654 S * 7/2016 Puig D9/456
 9,810,514 B2 * 11/2017 Hofer F42B 39/26
 D844,806 S * 4/2019 Johns D24/227
 D853,581 S * 7/2019 Bucher B01L 9/543
 D24/227
 D862,729 S * 10/2019 Livingston D24/227
 2002/0125001 A1 * 9/2002 Kelly F28F 7/02
 165/165
 2012/0048762 A1 * 3/2012 Whitehead A61M 5/002
 206/427
 2013/0118922 A1 5/2013 McClaughry et al.

* cited by examiner

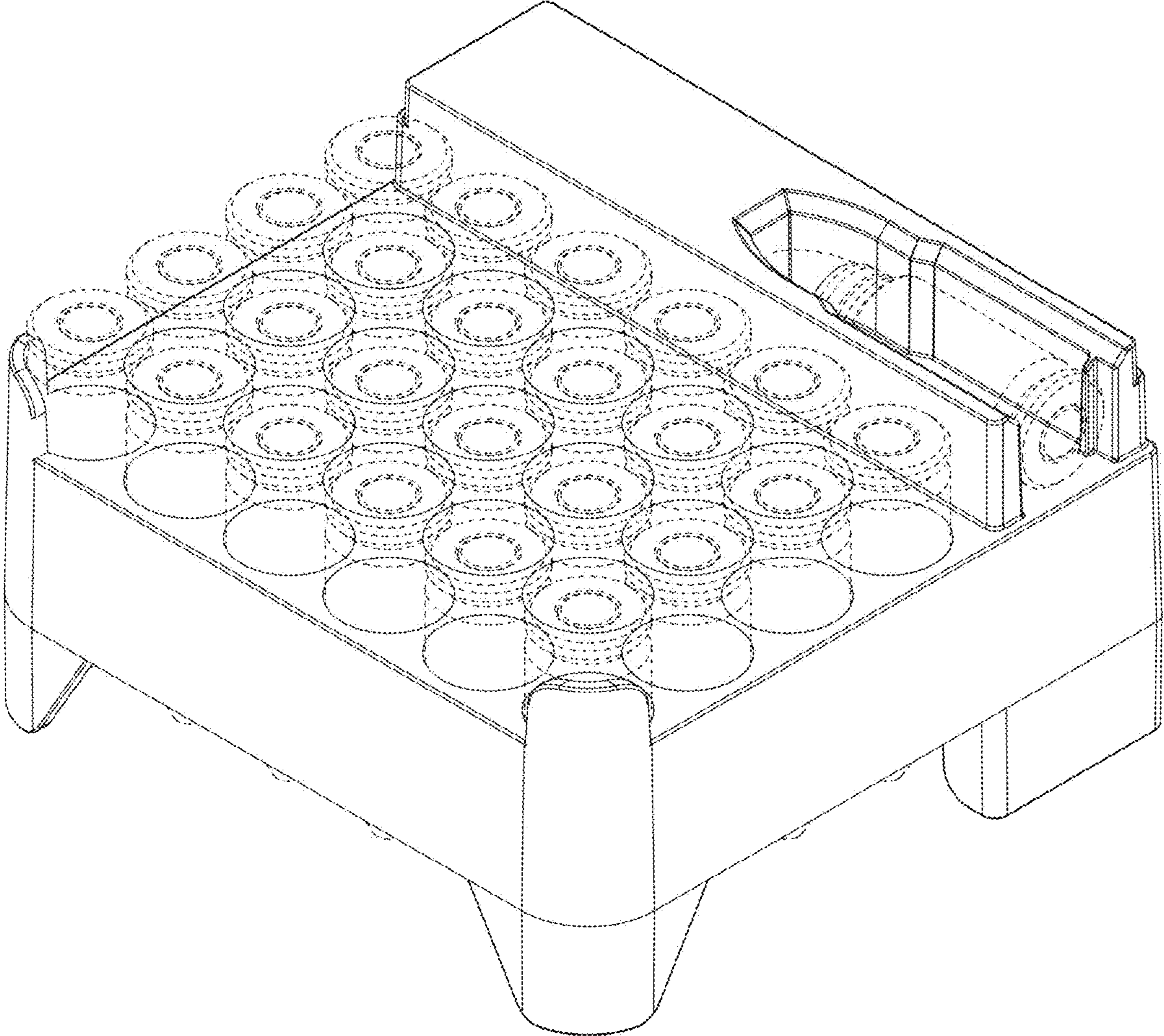


FIG. 1

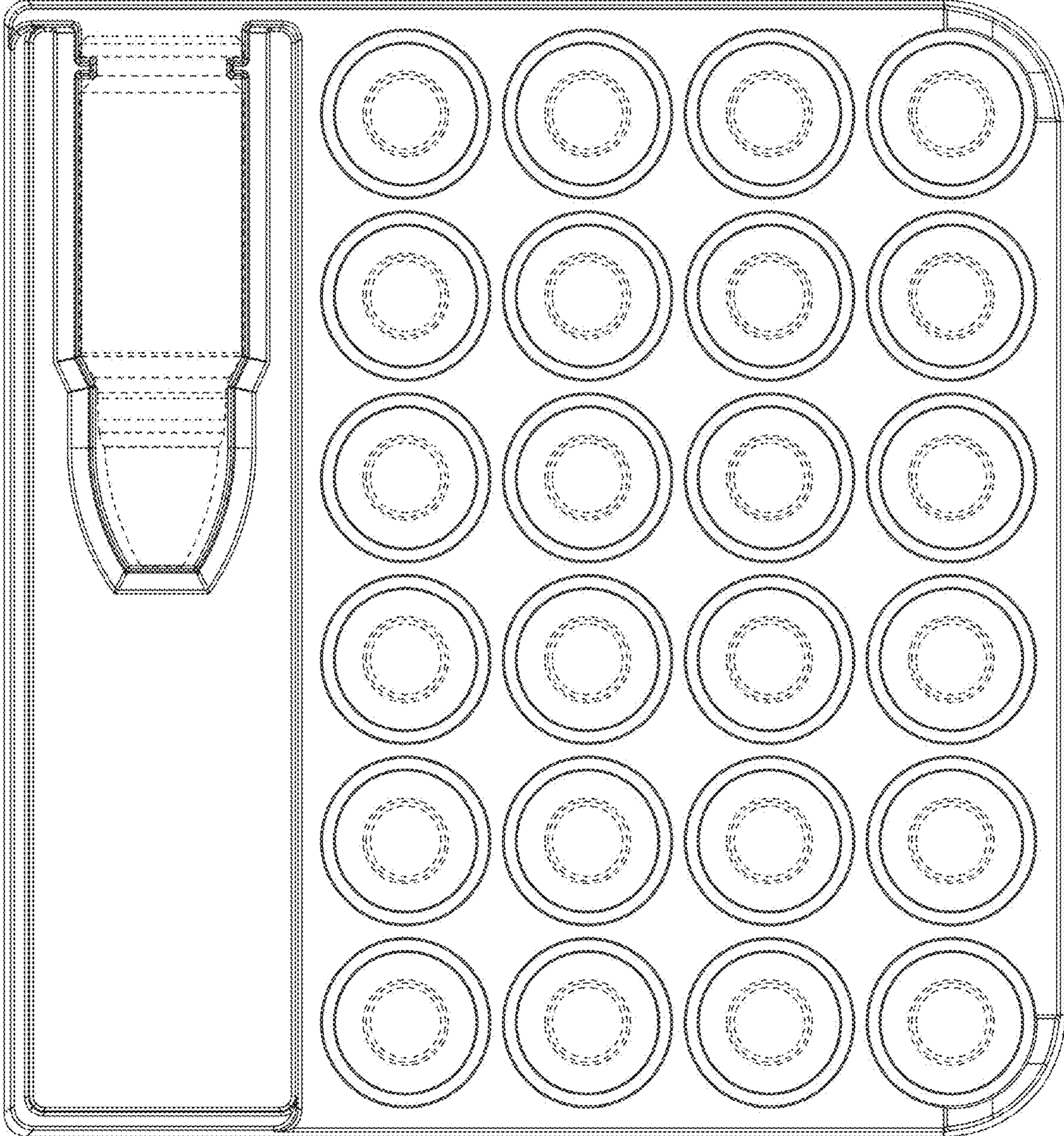


FIG. 2

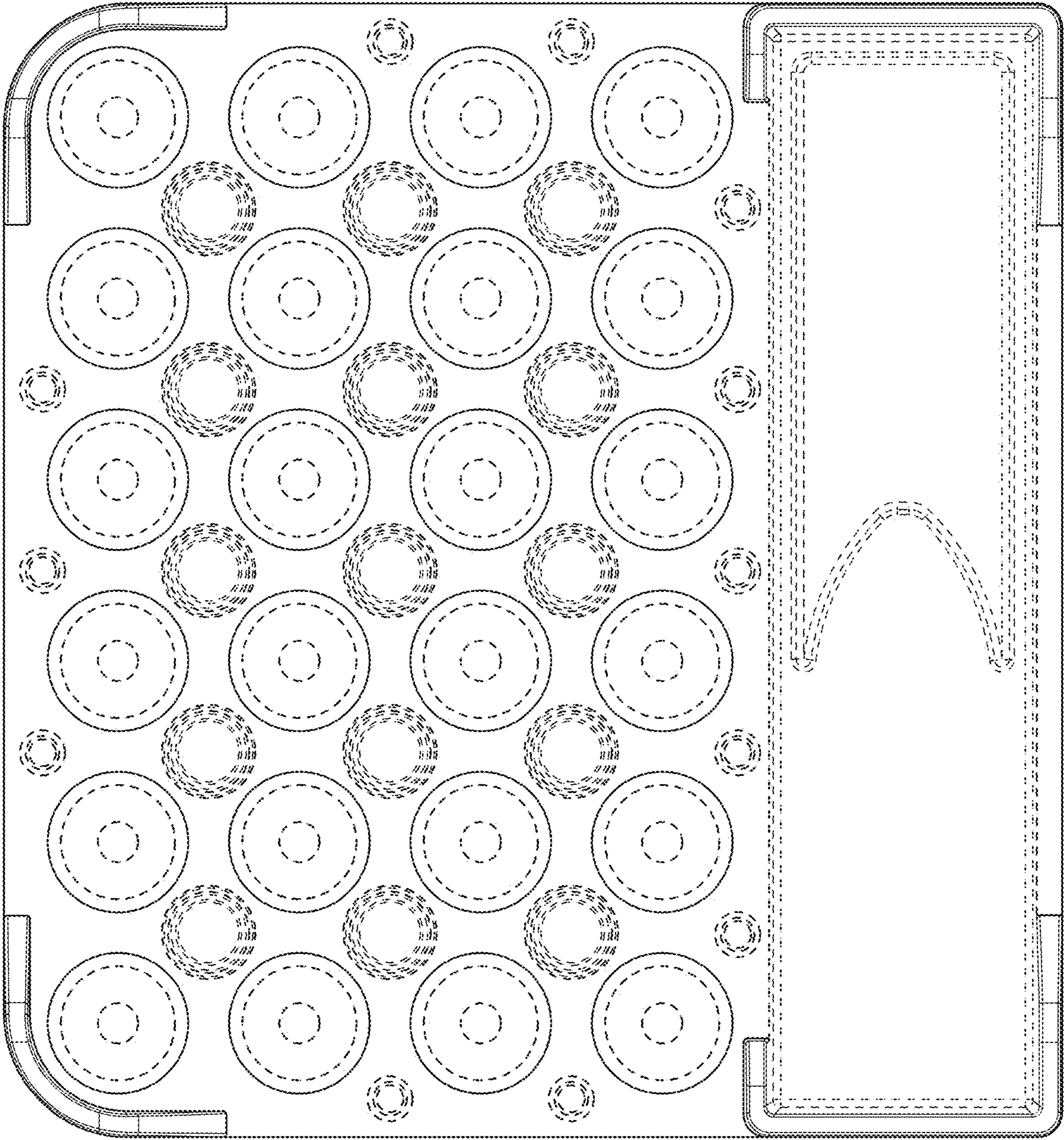


FIG. 3

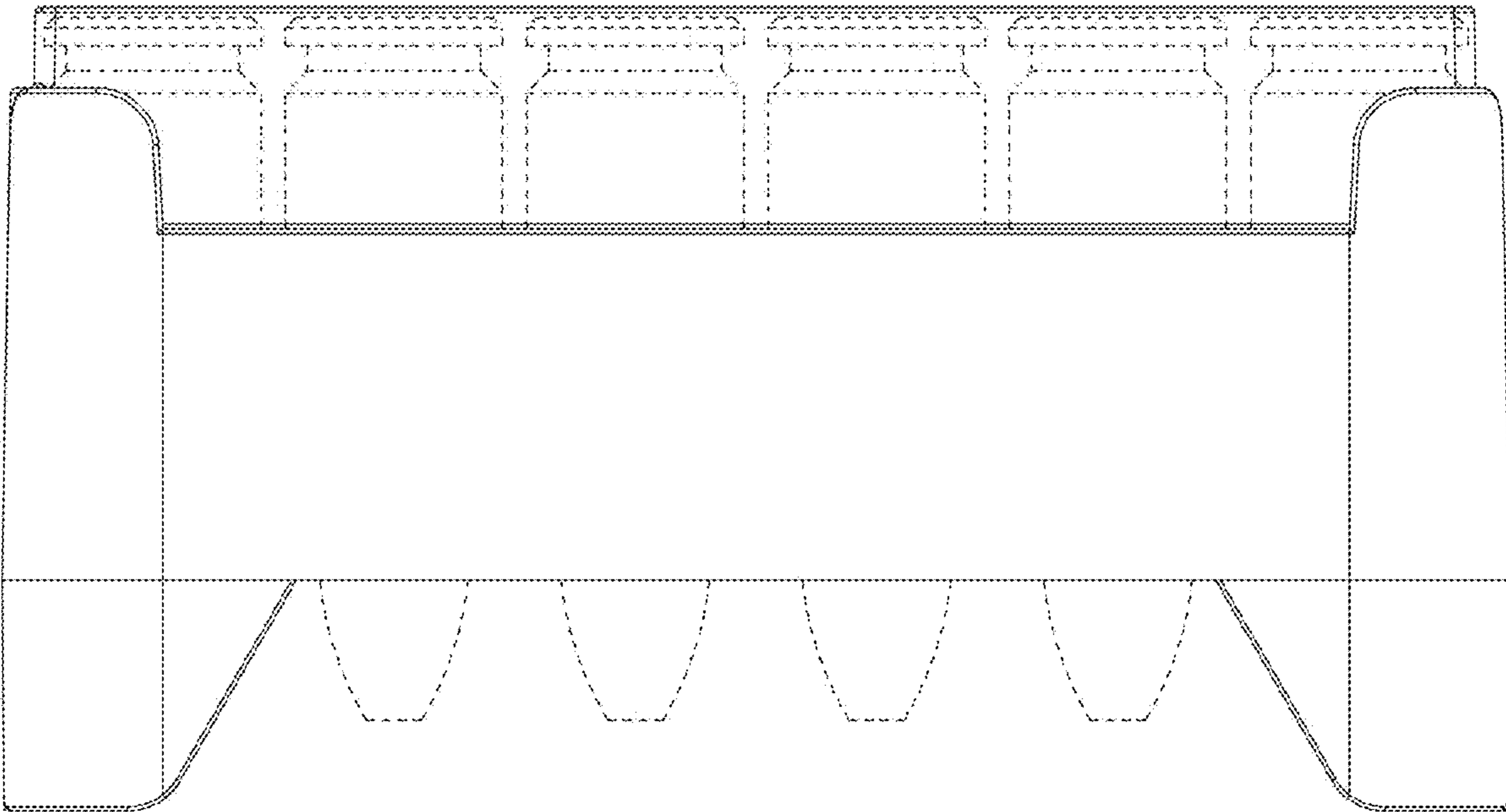


FIG. 4

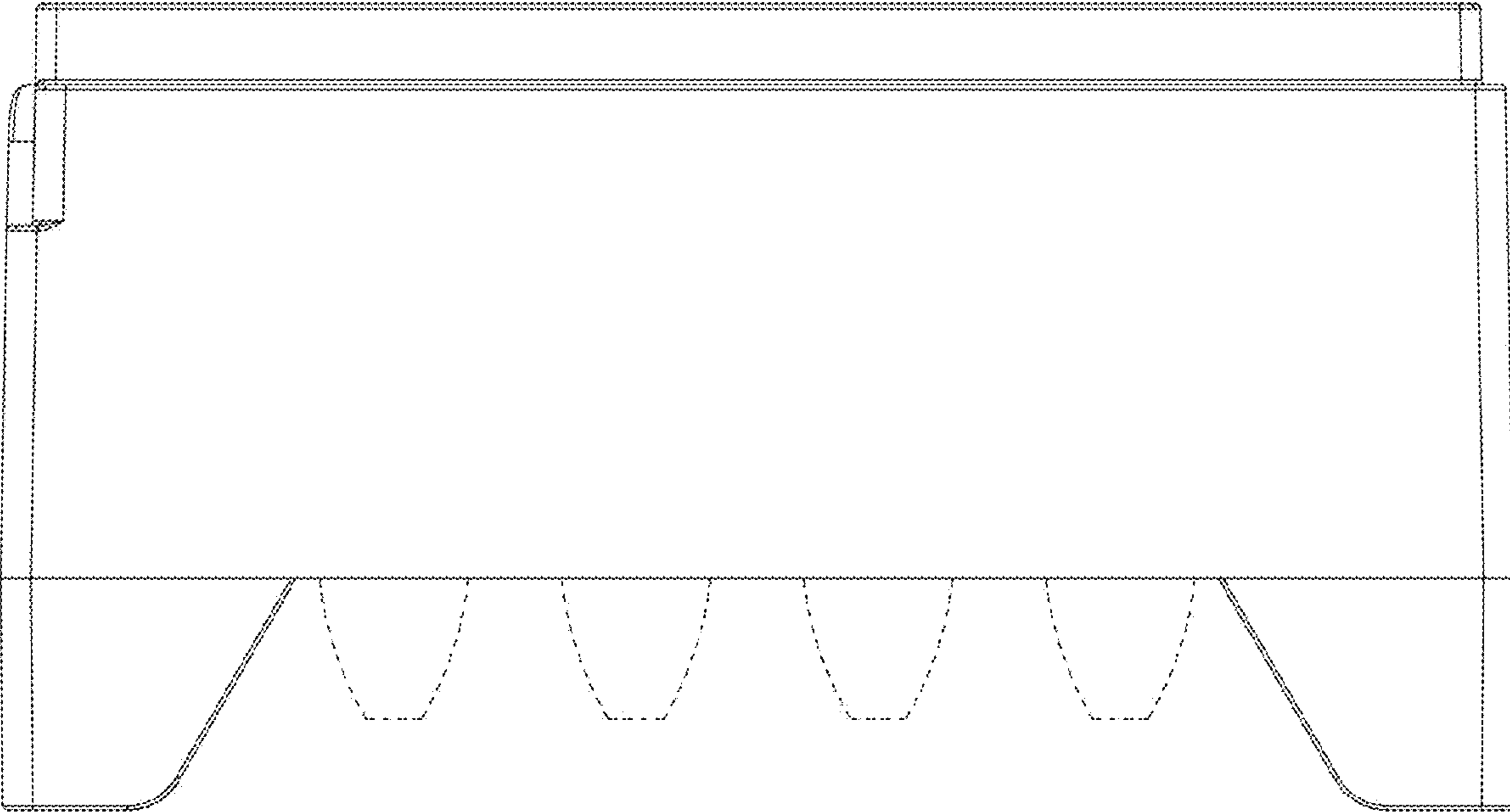


FIG. 5

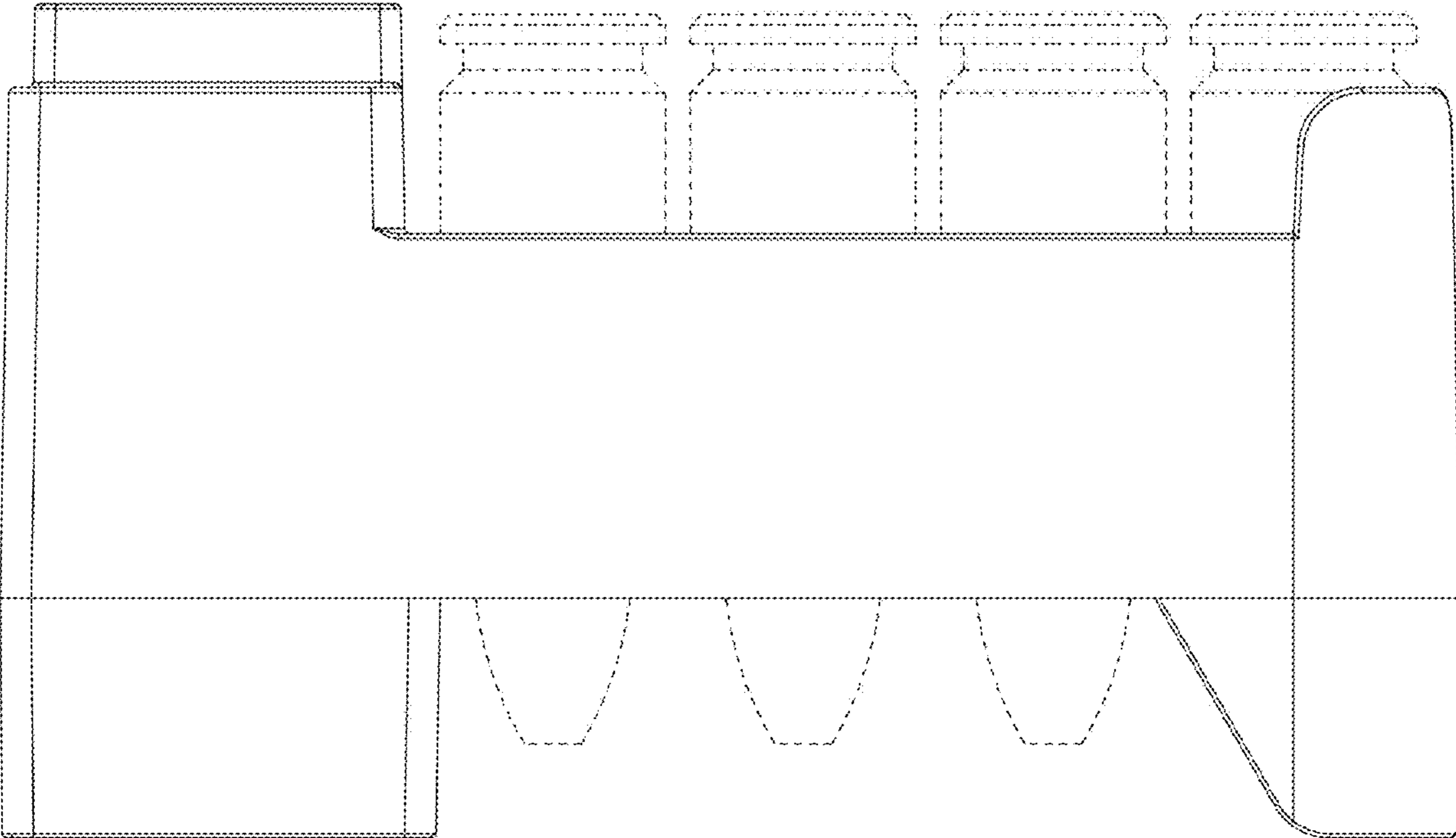


FIG. 6

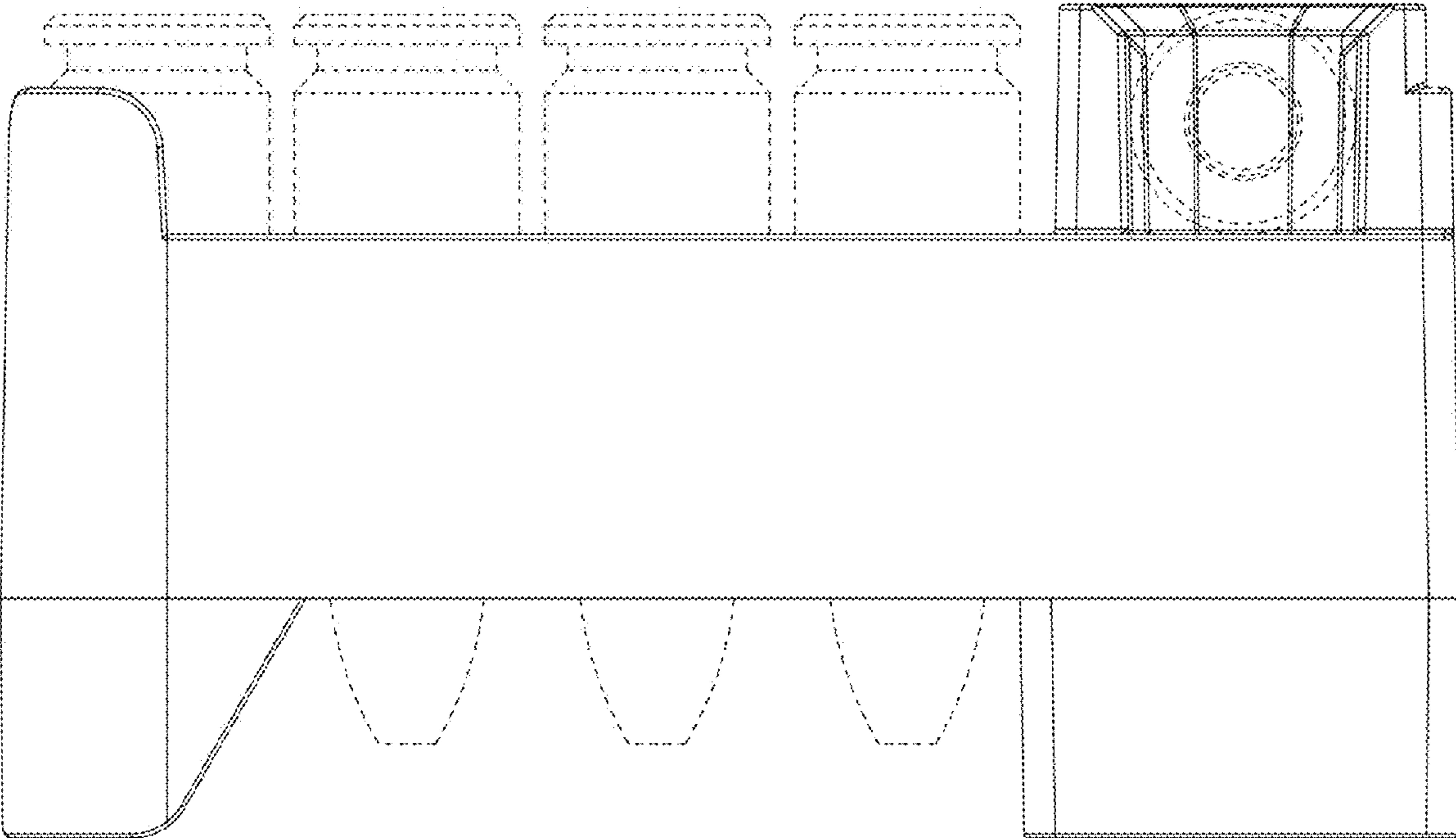


FIG. 7