



US00D876957S

(12) **United States Design Patent** (10) **Patent No.:** **US D876,957 S**
Sanguinet et al. (45) **Date of Patent:** **** Mar. 3, 2020**

(54) **COMBINATION BOTTLE AND WALL MOUNT**

(71) Applicant: **Berlin Packaging, LLC**, Chicago, IL (US)

(72) Inventors: **Andrew Sanguinet**, La Grange Park, IL (US); **Gil Palmon**, Chicago, IL (US)

(73) Assignee: **Berlin Packaging, LLC**, Chicago, IL (US)

(**) Term: **15 Years**

(21) Appl. No.: **29/648,103**

(22) Filed: **May 18, 2018**

(51) **LOC (12) Cl.** **09-03**

(52) **U.S. Cl.**
USPC **D9/719**

(58) **Field of Classification Search**
USPC D9/504, 715, 719, 730; D7/620
CPC A47G 23/02; A47G 23/0241; B65D 51/24;
B65D 23/001; B65D 51/242; B65D
55/16; B65D 25/22; B65D 39/16; B65D
43/16; B67D 3/0029
See application file for complete search history.

(56) **References Cited**

U.S. PATENT DOCUMENTS

5,775,485	A *	7/1998	Dierking	B65D 25/22 206/37
D654,288	S *	2/2012	Lecoutre	D6/682.3
D656,840	S *	4/2012	Tacconi	D9/443
D701,463	S *	3/2014	Hojo	D9/719
D728,881	S *	5/2015	Gameiro	D32/45
D752,925	S *	4/2016	Lewis	D7/590

2012/0325759	A1 *	12/2012	Hogeback	A47F 5/08 211/26
2014/0027477	A1 *	1/2014	deBeers	A45F 5/02 224/148.4
2015/0329251	A1 *	11/2015	Sanguinet	B65D 43/16 220/254.3
2017/0325998	A1 *	11/2017	Saviola	A61F 9/0026
2018/0055262	A1 *	3/2018	Vogel	A47G 23/0241
2018/0228280	A1 *	8/2018	Li	B65D 81/36
2018/0282031	A1 *	10/2018	Zeanah	B65D 51/242
2019/0014935	A1 *	1/2019	Bergin	A47G 23/0225

* cited by examiner

Primary Examiner — Lauren R Calve

(74) *Attorney, Agent, or Firm* — Adam K. Sacharoff;
Much Shelist, P.C.

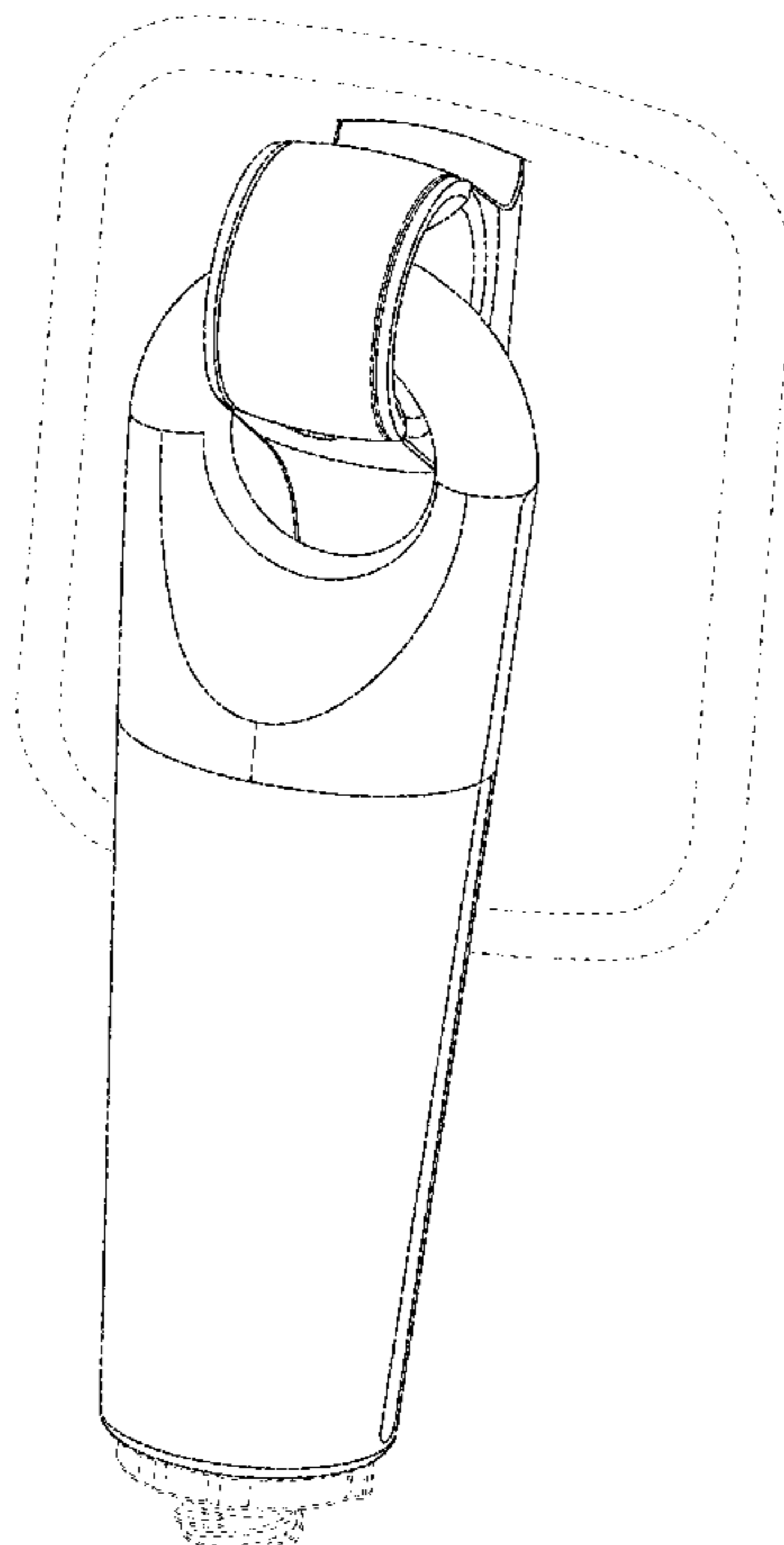
(57) **CLAIM**

The ornamental design for a combination bottle and wall mount, as shown and described.

DESCRIPTION

FIG. 1 is a front left side perspective view showing the new design for a combination bottle and wall mount; FIG. 2 is a front right side perspective view thereof; FIG. 3 is a top left side perspective view thereof; FIG. 4 is a top right side perspective view thereof; FIG. 5 is a front elevation view thereof; FIG. 6 is a rear elevation view thereof; FIG. 7 is a left side view thereof; FIG. 8 is a right side view thereof; FIG. 9 is a top plan view thereof; and, FIG. 10 is a bottom plan view thereof. The broken lines in the figures form no part of the claimed design.

1 Claim, 10 Drawing Sheets



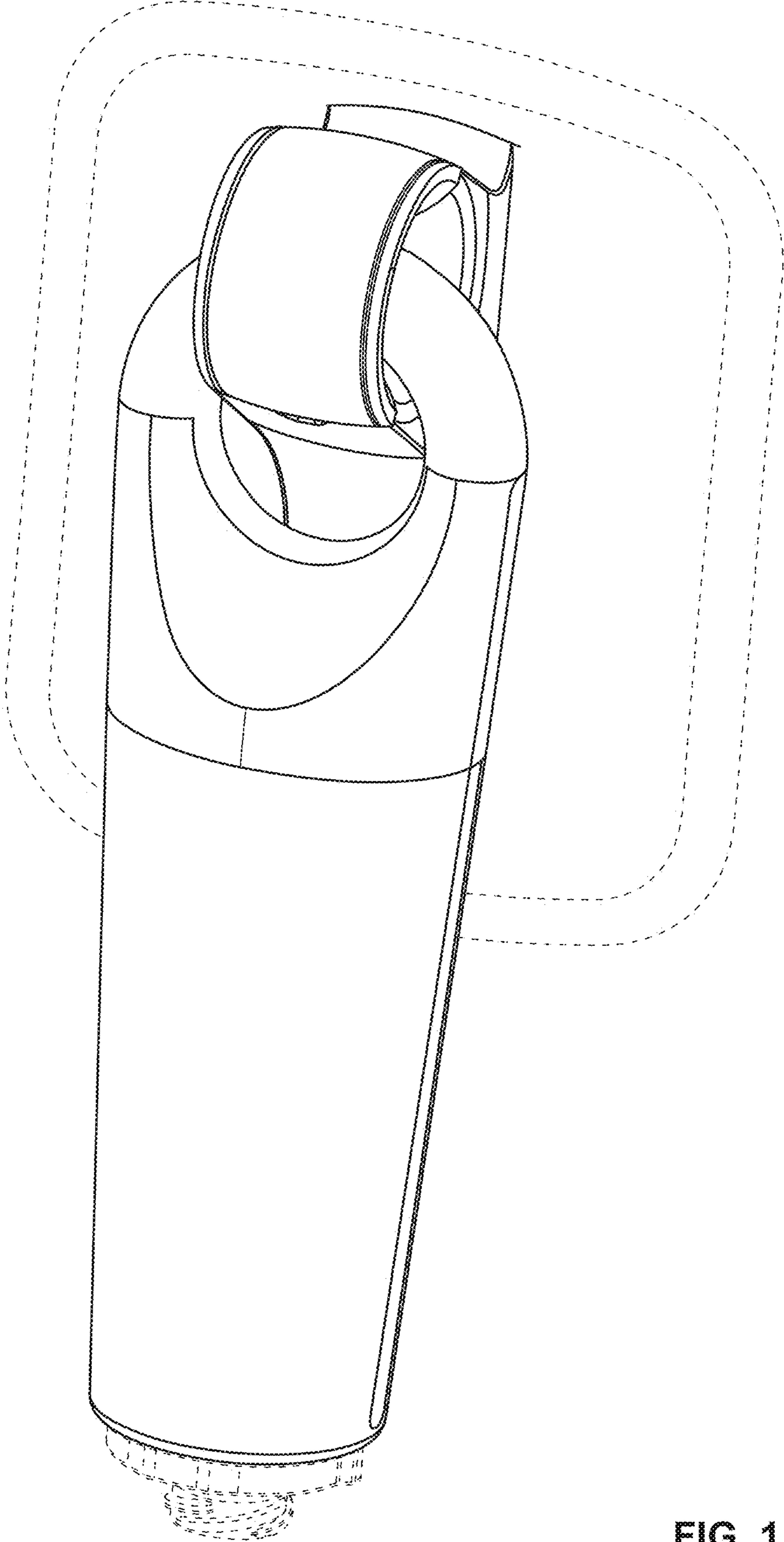


FIG. 1

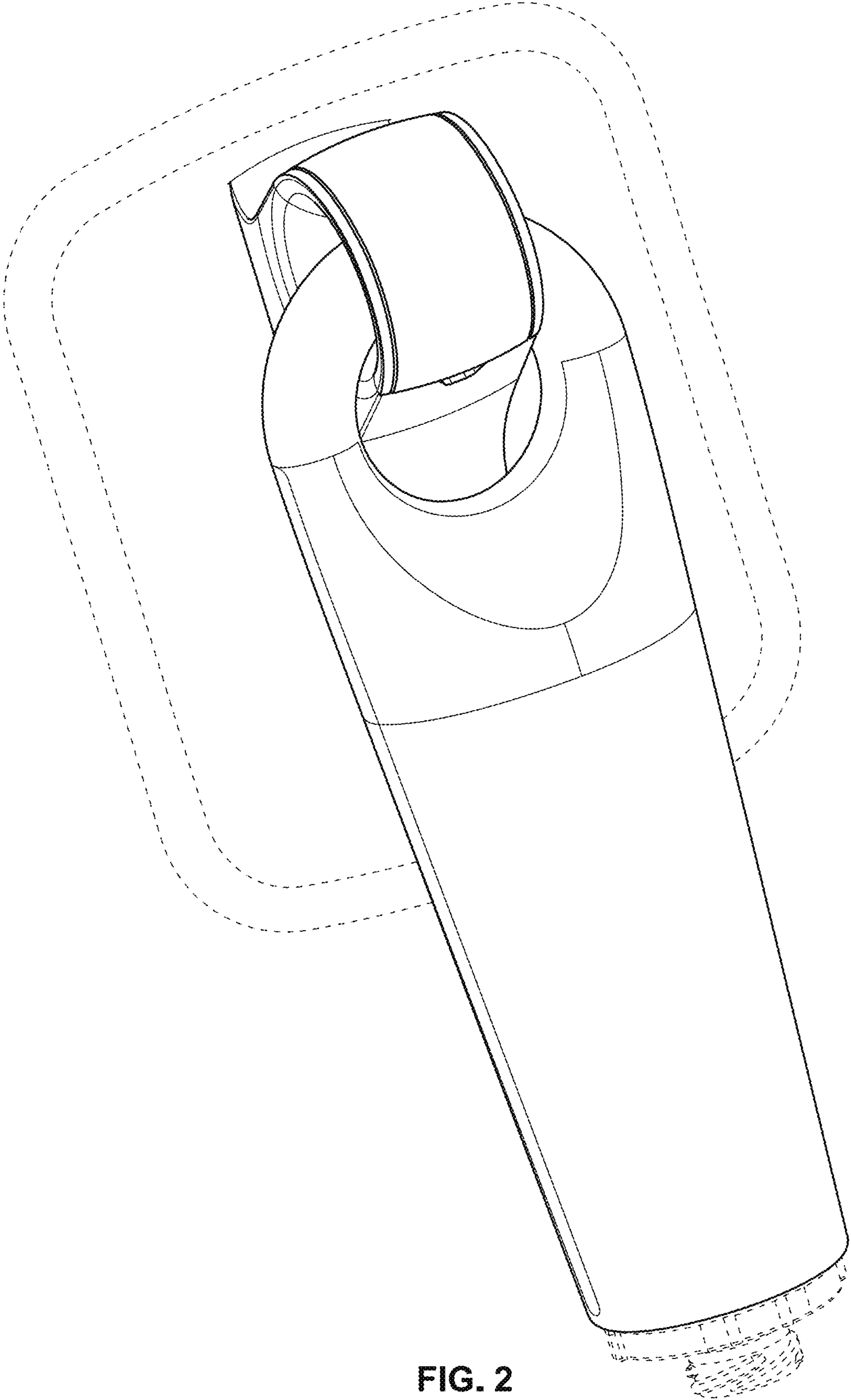


FIG. 2

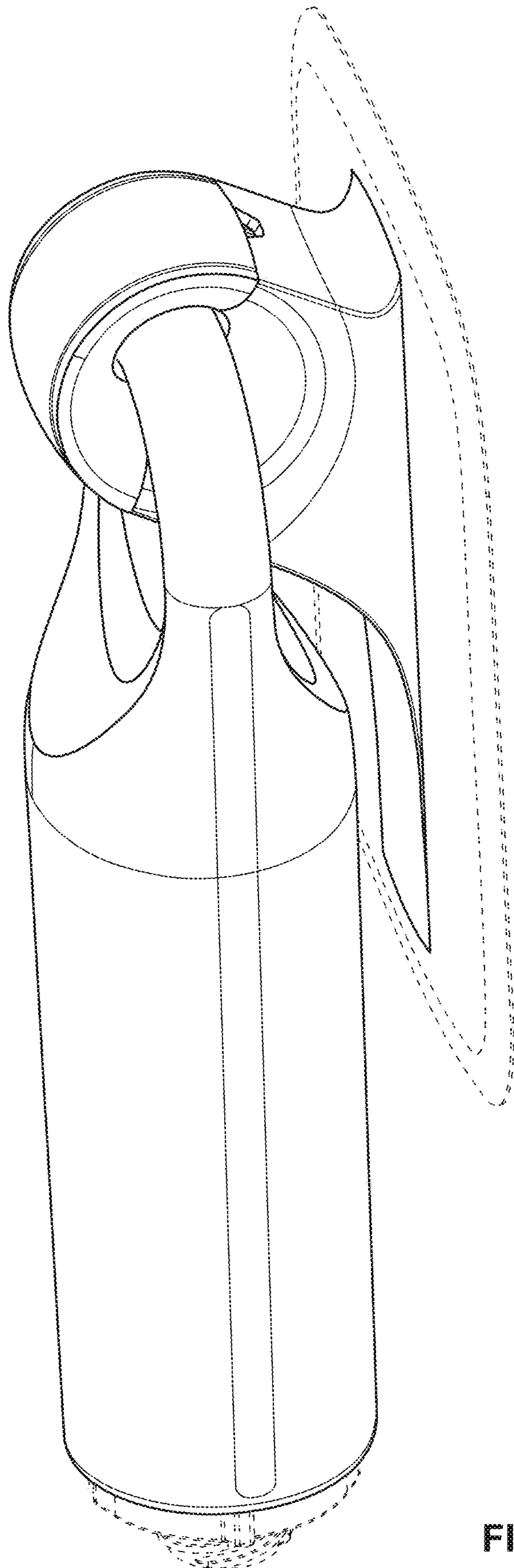


FIG. 3

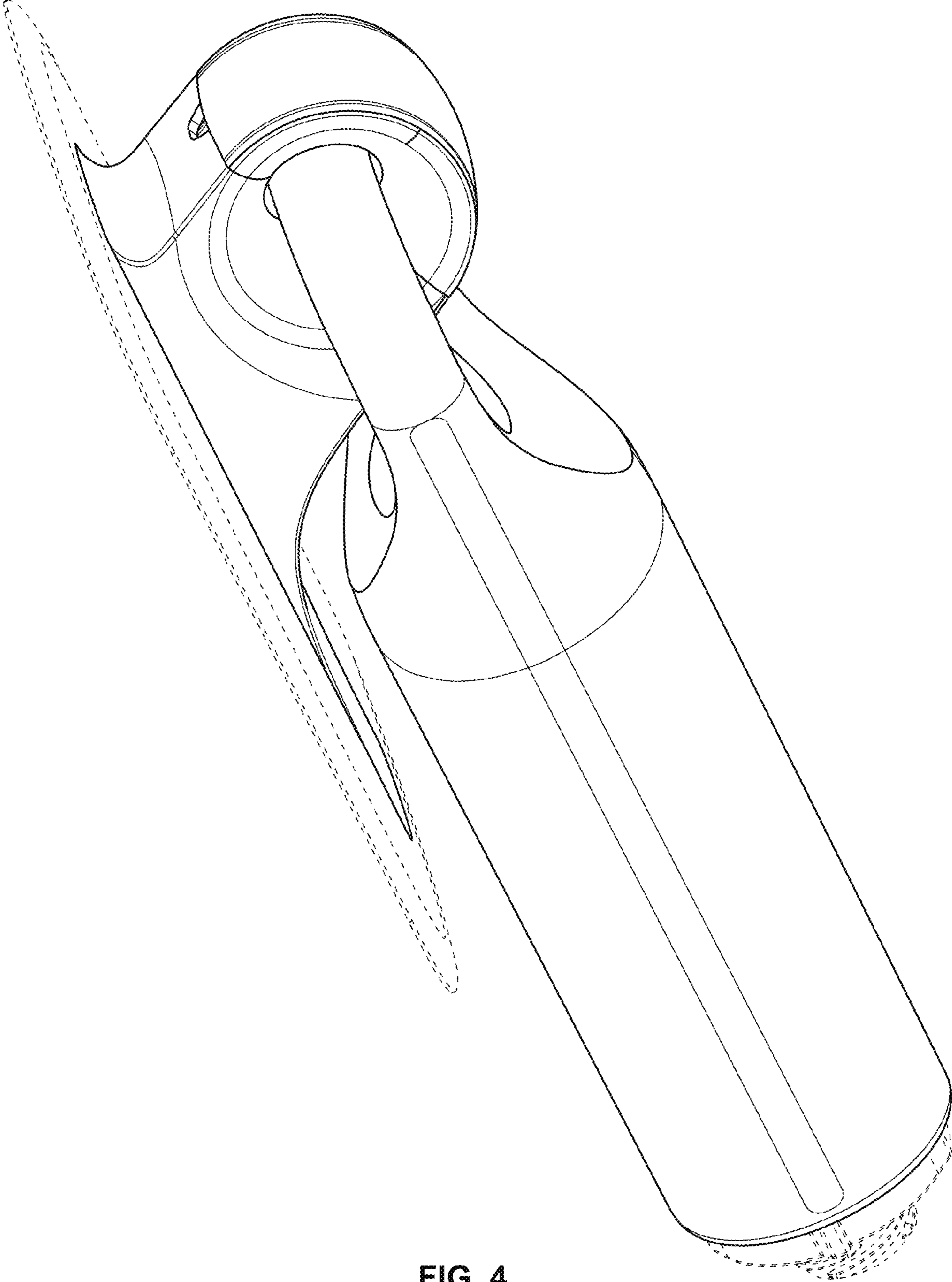


FIG. 4

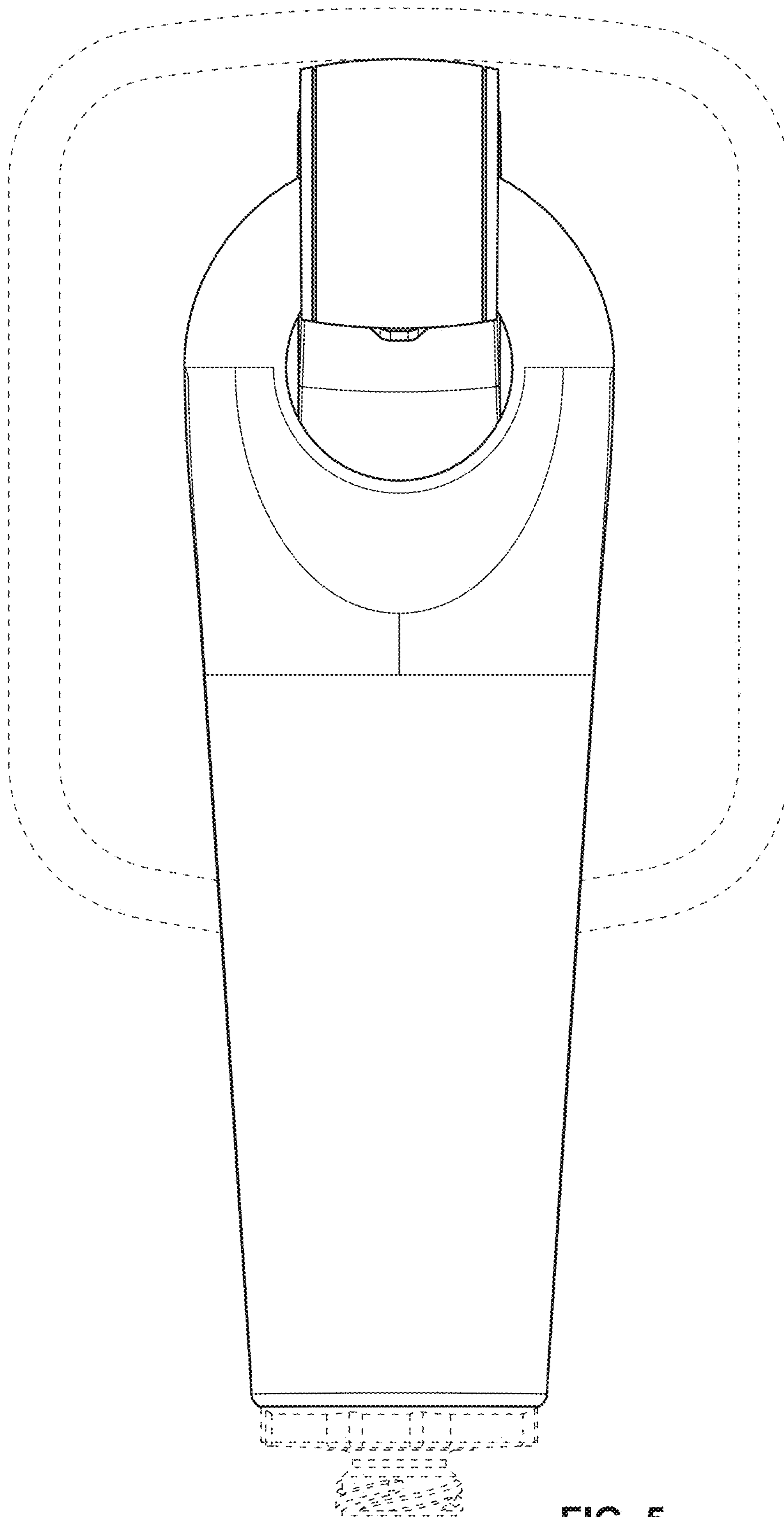


FIG. 5

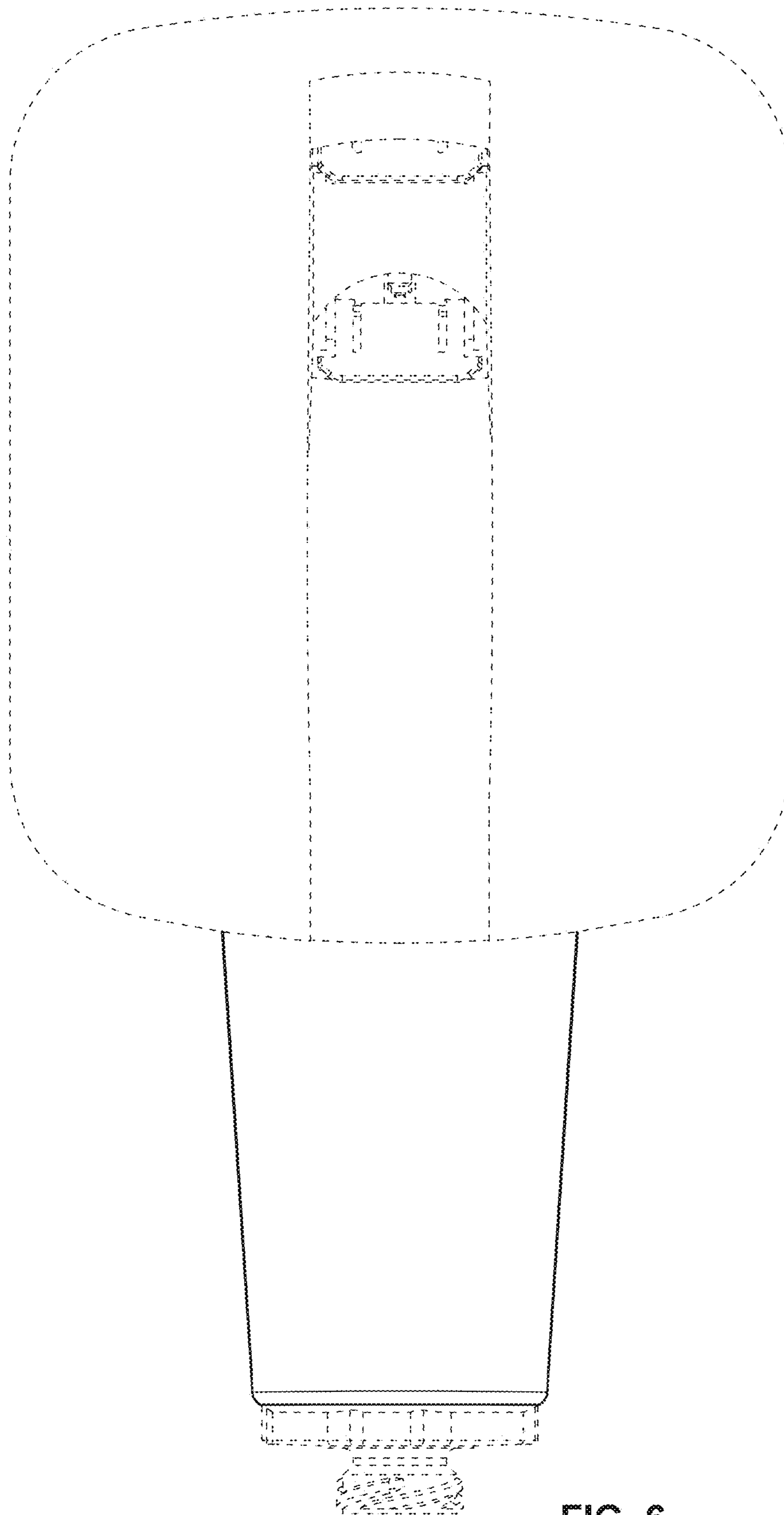


FIG. 6

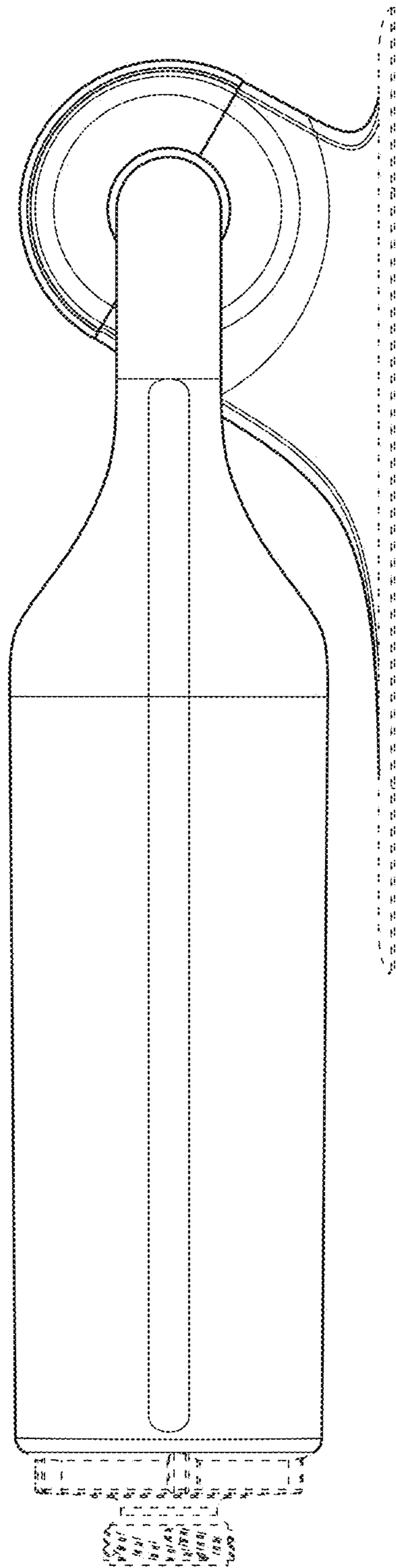


FIG. 7

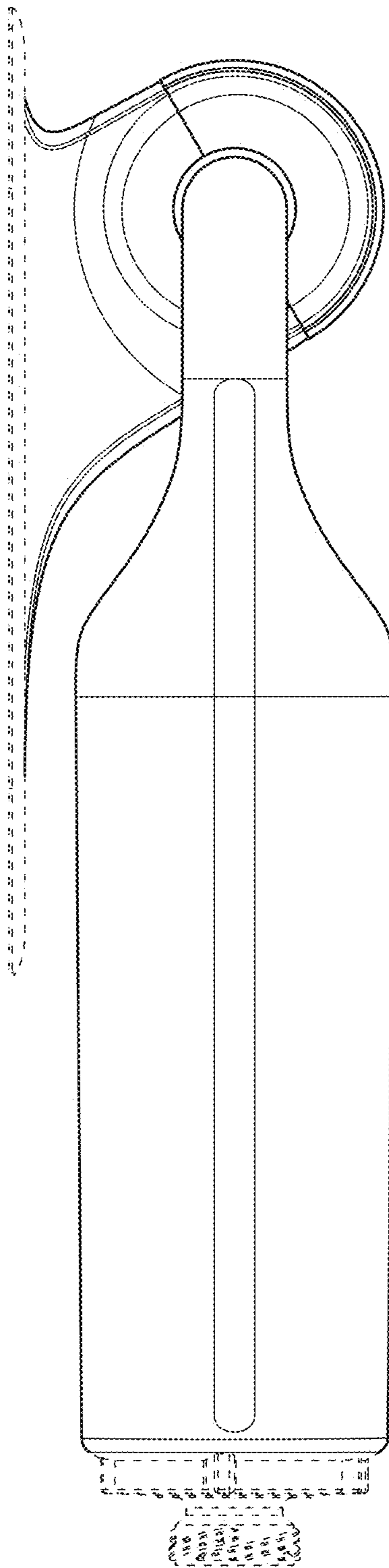


FIG. 8

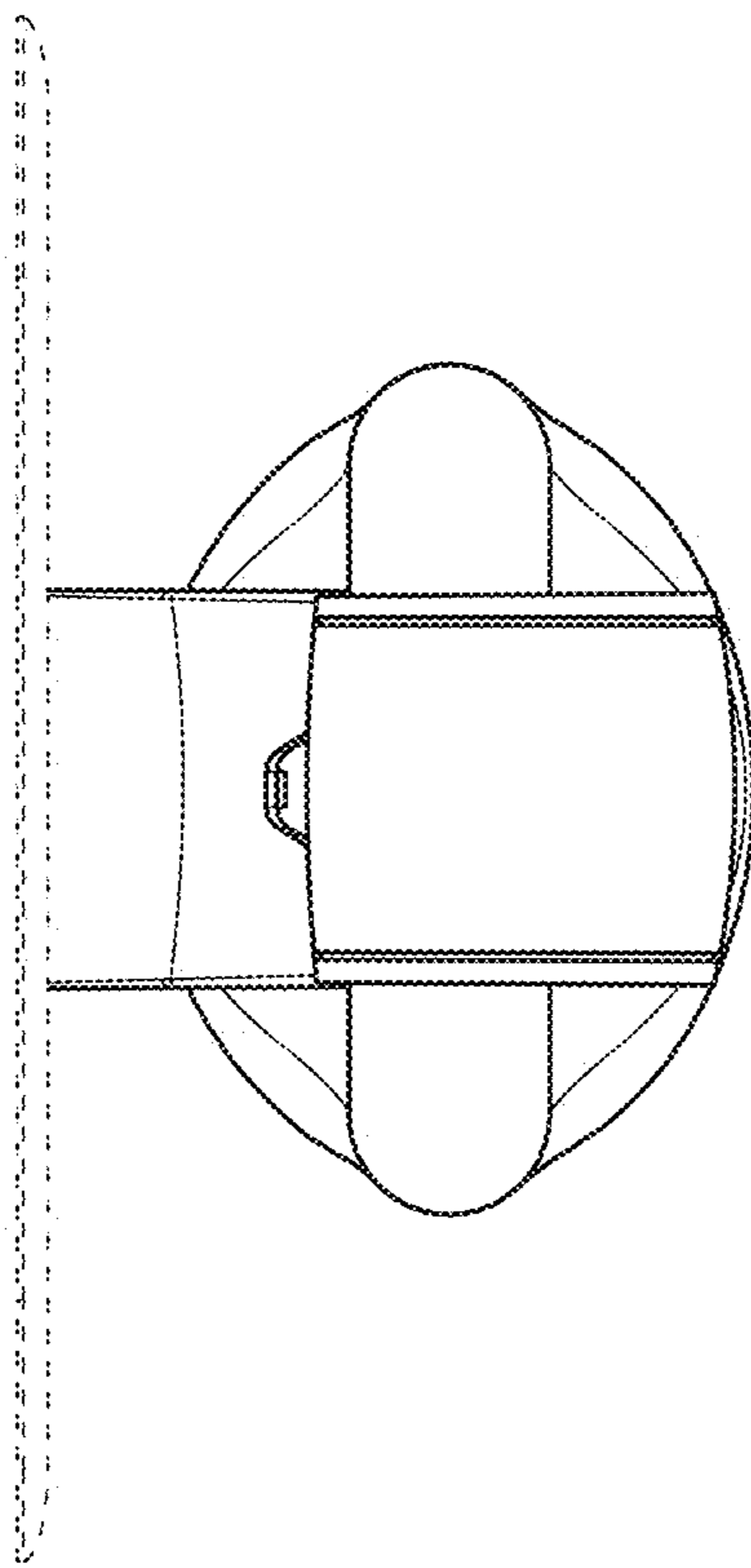


FIG. 9

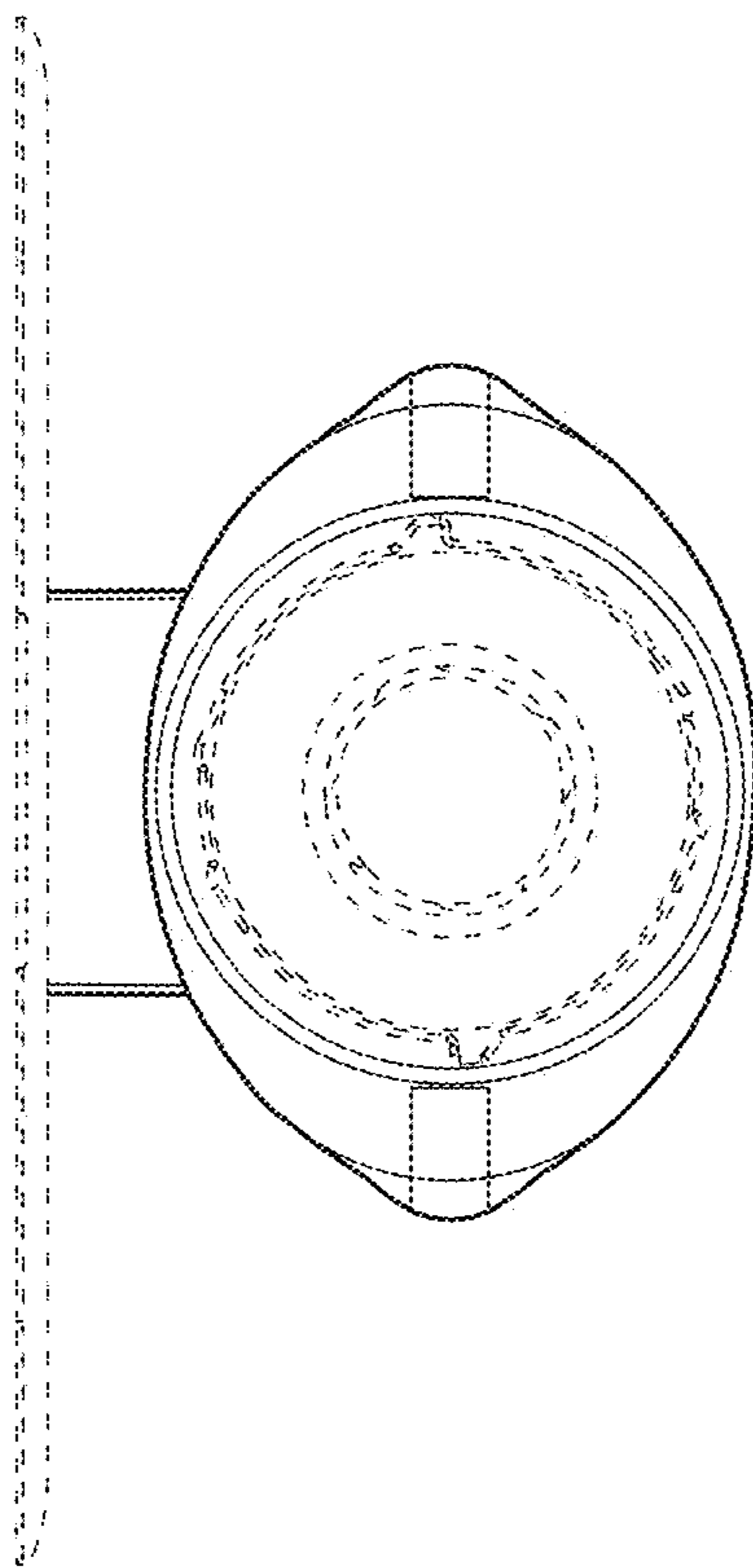


FIG. 10