



US00D876956S

(12) **United States Design Patent**
Zdanky

(10) **Patent No.:** **US D876,956 S**
(45) **Date of Patent:** **** Mar. 3, 2020**

(54) **SHOPPING ASSISTANCE AND LEARNING APPARATUS**

(71) Applicant: **Tarryl Susan Zdanky**, Naperville, IL (US)

(72) Inventor: **Tarryl Susan Zdanky**, Naperville, IL (US)

(**) Term: **15 Years**

(21) Appl. No.: **29/634,639**

(22) Filed: **Jan. 23, 2018**

Related U.S. Application Data

(63) Continuation of application No. 14/548,266, filed on Nov. 19, 2014, now Pat. No. 9,875,662.

(51) **LOC (12) Cl.** **09-05**

(52) **U.S. Cl.**
USPC **D9/704; D19/59**

(58) **Field of Classification Search**
USPC D9/702-714, 719, 738-740, 517-518, D9/522, 416, 435, 444, 455, 414, 499, D9/431-432; D7/560-562; 206/434, 206/428; 229/87.01, 87.04, 87.08, 87.18, 229/87.19; 150/100-118; 383/6, 10, 14, 383/20, 40, 33, 104-105, 117, 108, 120, 383/93, 121.1, 127; 428/34.1, 34.2
CPC B65D 33/00; B65D 33/06; B65D 33/065; B65D 33/14; B65D 33/1683; B65D 33/12; B65D 31/00; B65D 31/04; B65D 31/10; A45C 3/00; A45C 3/04; A45C 3/06; A45C 3/10; G09B 19/00; G09B 19/18

See application file for complete search history.

(56) **References Cited**

U.S. PATENT DOCUMENTS

5,826,714 A * 10/1998 Martin A45C 3/00
206/232
D576,500 S * 9/2008 Kim D9/703
D632,899 S * 2/2011 Bizzell D6/333
9,875,662 B2 * 1/2018 Zdanky G09B 1/06

* cited by examiner

Primary Examiner — Abraham Bahta

(57) **CLAIM**

The ornamental design for a shopping assistance and learning apparatus, as shown and described.

DESCRIPTION

FIG. 1 is a perspective view of a shopping assistance and learning apparatus showing my new design;
FIG. 2 is a front elevational view thereof;
FIG. 3 is another front elevational view in alternate configuration thereof;
FIG. 4 is a rear elevational view thereof;
FIG. 5 is another rear elevational view in alternate configuration thereof;
FIG. 6 is a right side view thereof;
FIG. 7 is a left side view thereof; and,
FIG. 8 is a bottom view thereof.

The broken line showing of portions of the shopping assistance and learning apparatus is included for the purpose of illustrating environmental structure and forms no part of the claimed design.

1 Claim, 8 Drawing Sheets

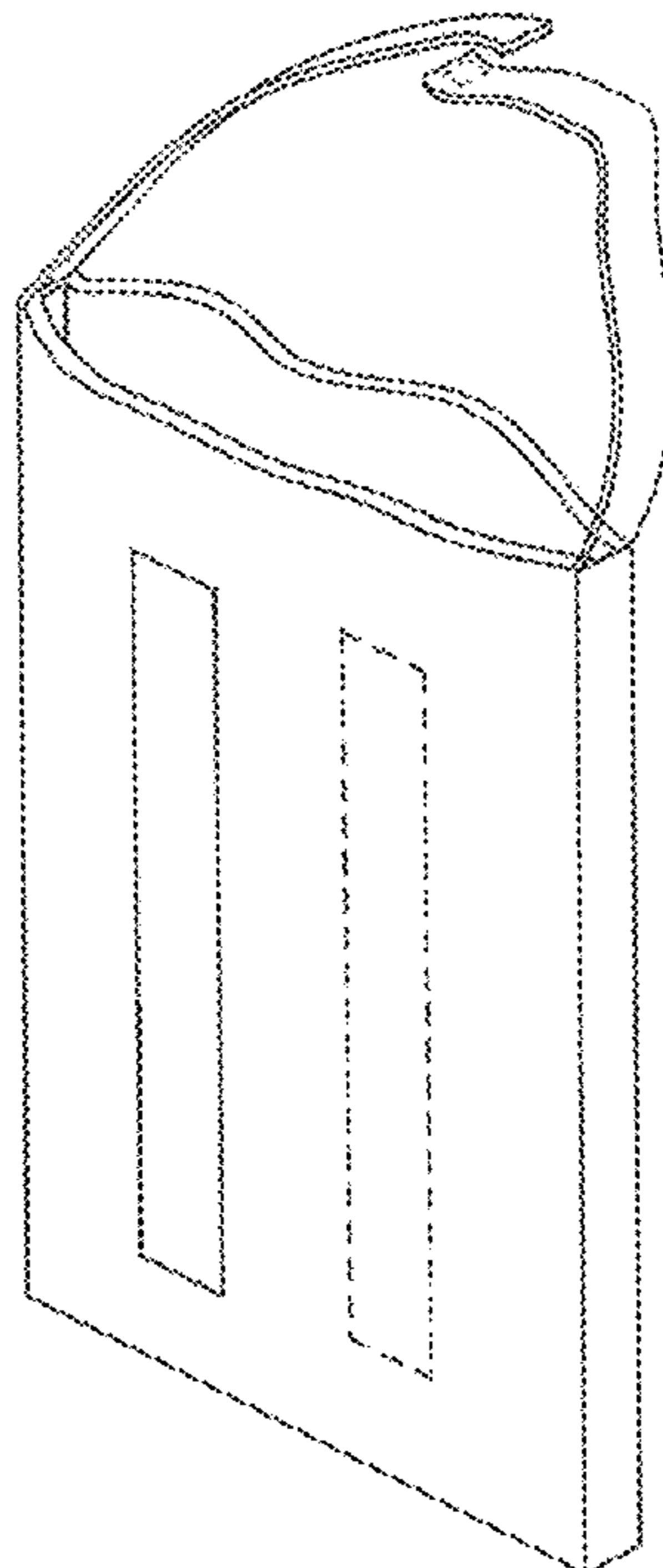


FIG. 1

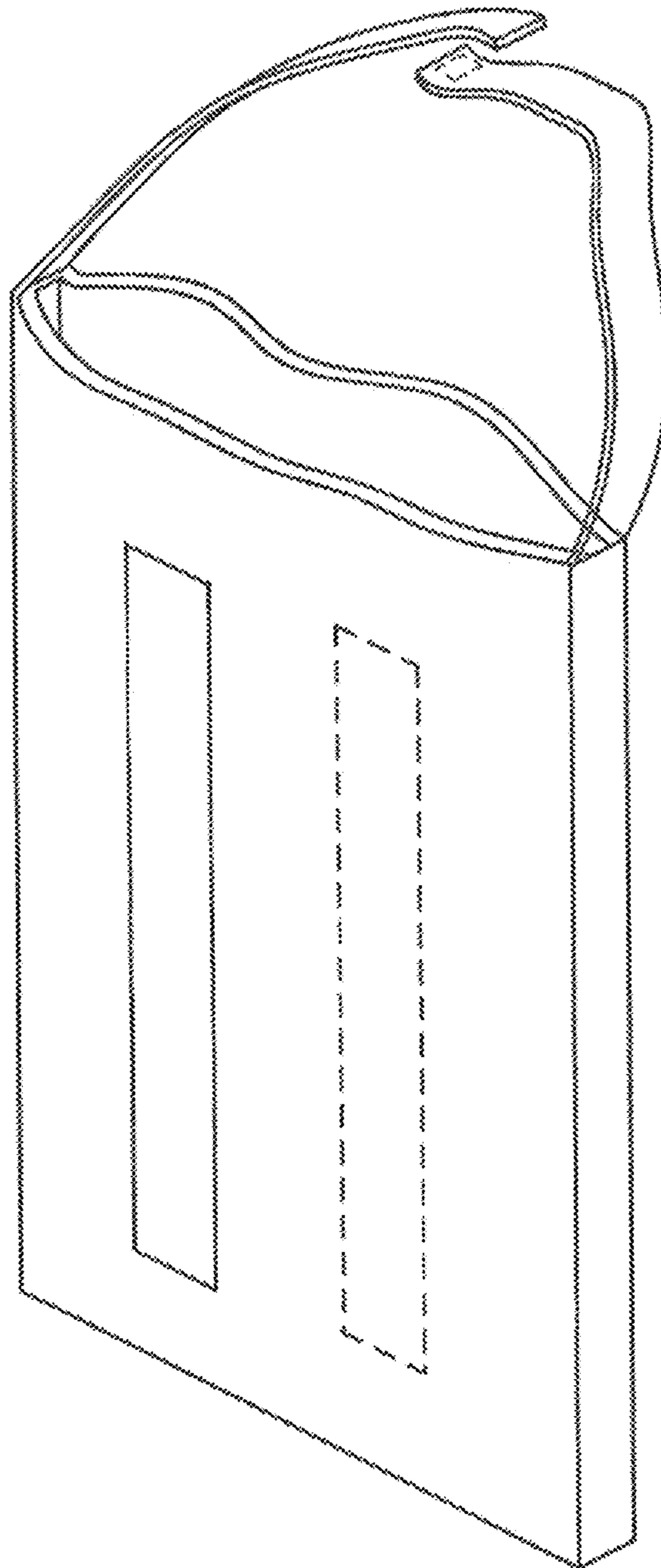


FIG. 2

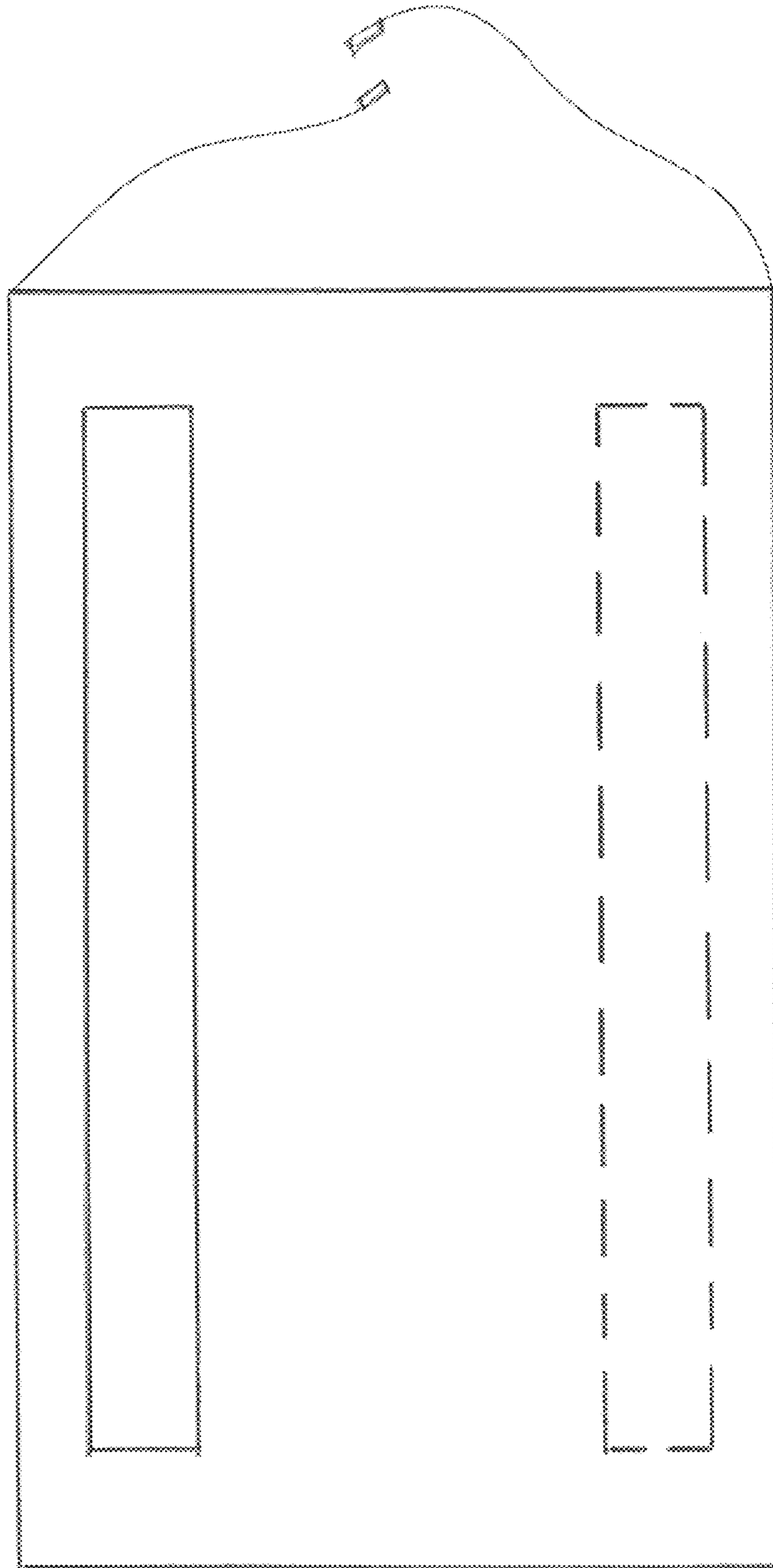


FIG. 3

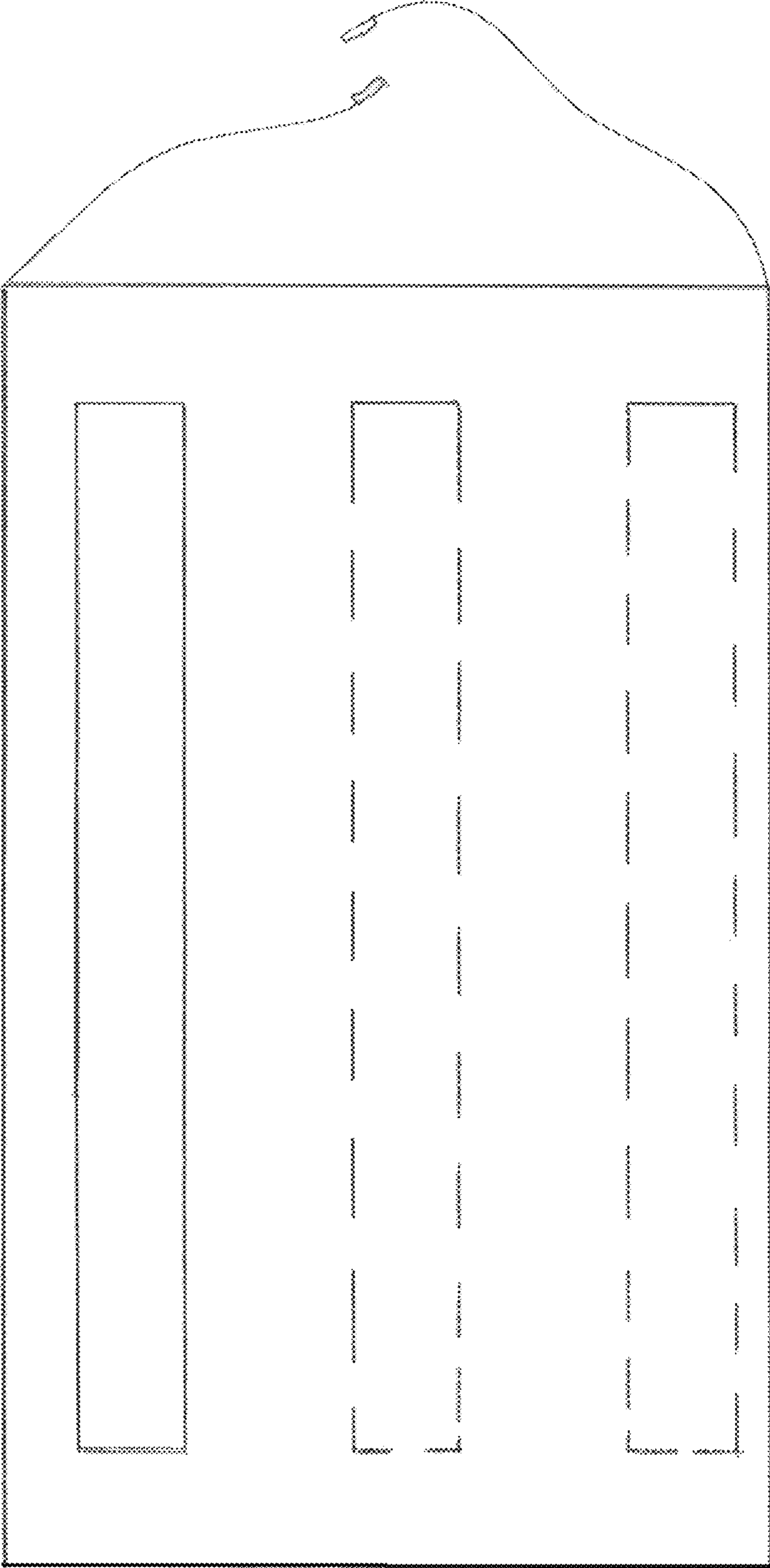


FIG. 4

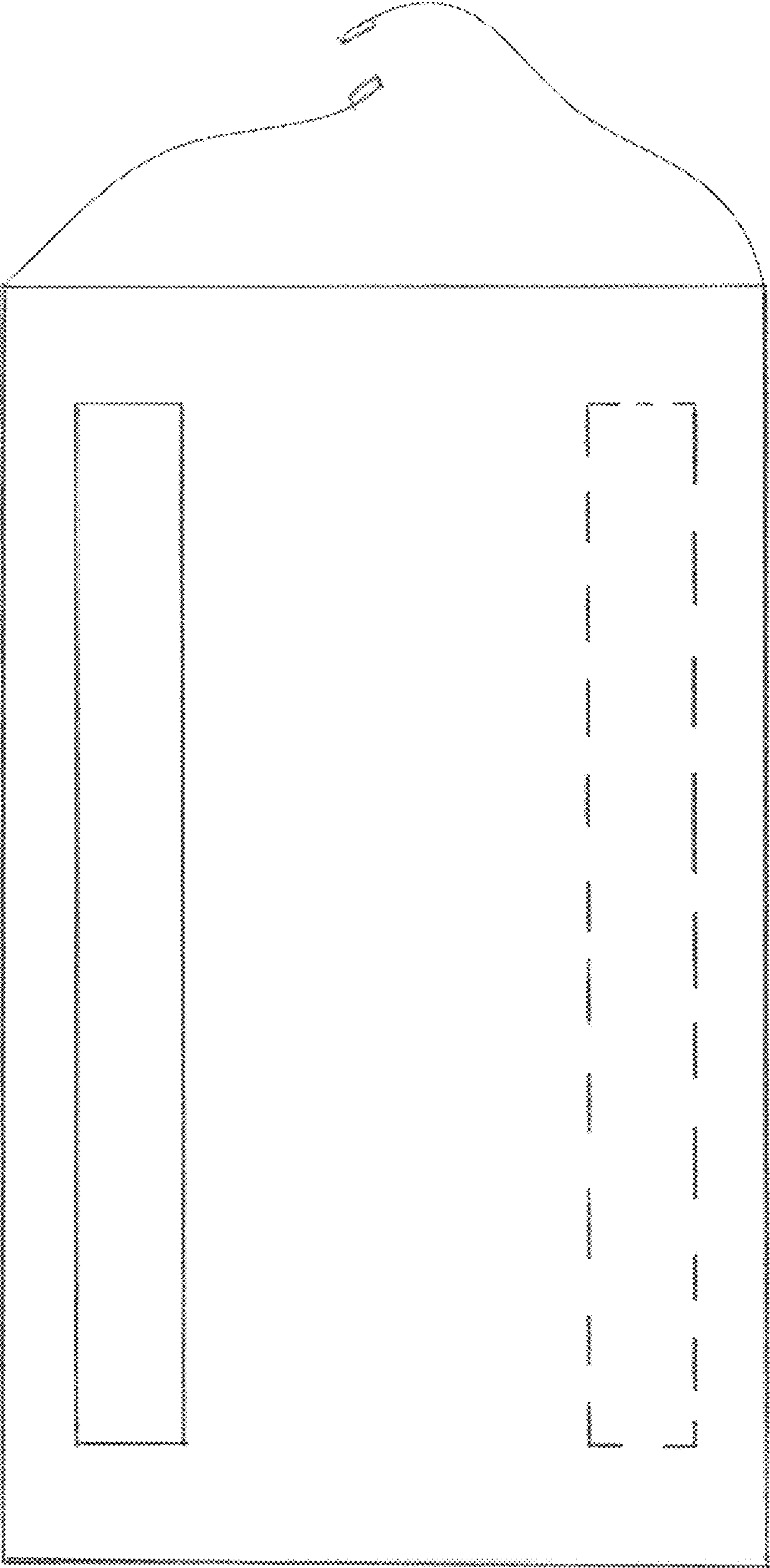


FIG. 5

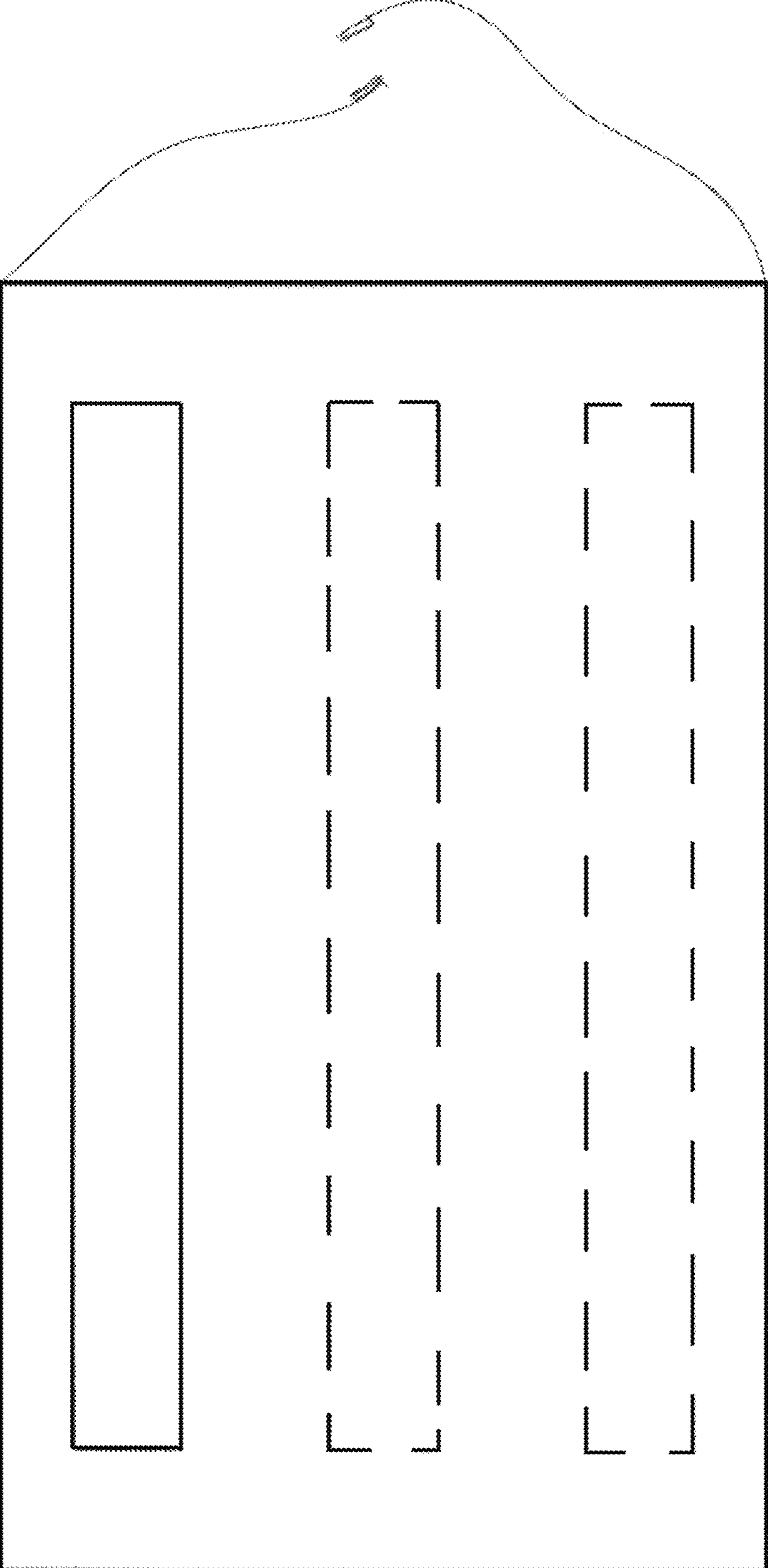


FIG. 6

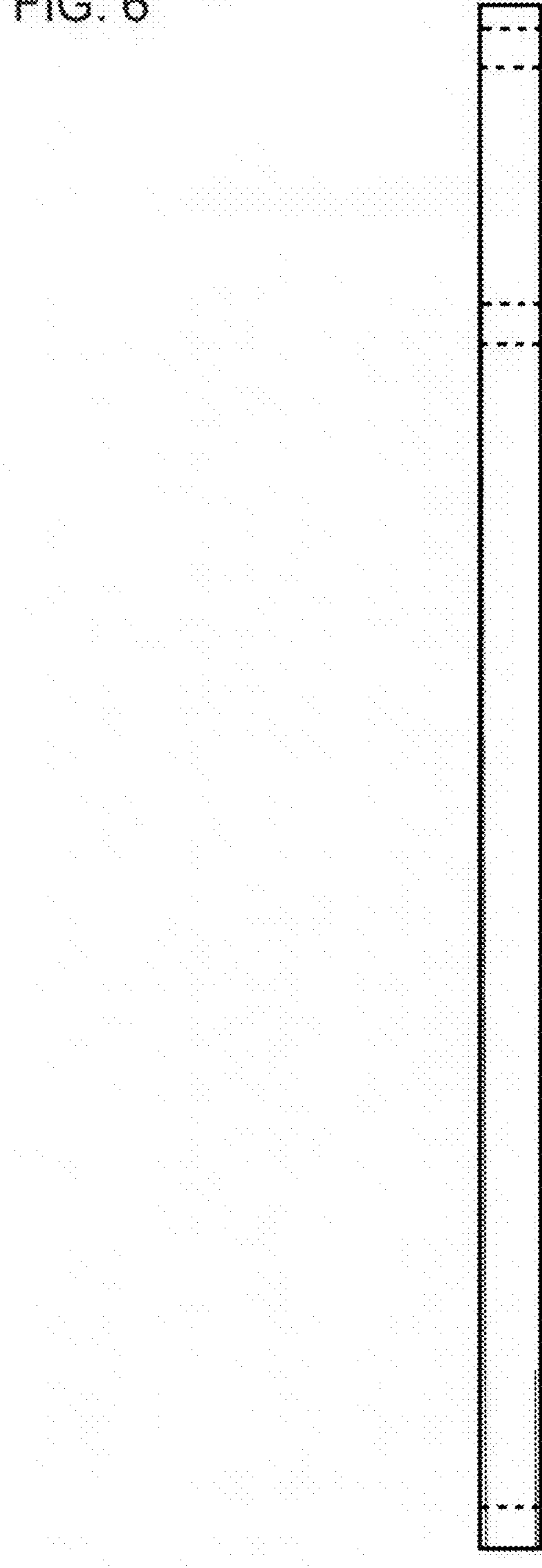


FIG. 7

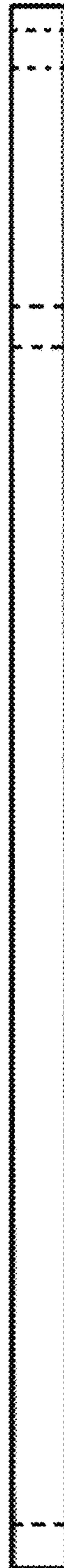


FIG. 8

