



US00D876950S

(12) **United States Design Patent** (10) **Patent No.:** **US D876,950 S**
Dietvorst et al. (45) **Date of Patent:** **** *Mar. 3, 2020**

(54) **STORAGE BOX**

(71) Applicant: **Reckitt Benckiser Finish B.V.**,
Hoofddorp (NL)

(72) Inventors: **Taco Dietvorst**, Eindhoven (NL); **Bas Groenendaal**, Eindhoven (NL);
Nicholas Horan, Slough (GB);
Krzysztof Krajewski, Schiphol (NL);
Rainer Link, Heidelberg (DE)

(73) Assignee: **RECKITT BENCKISER FINISH B.V.**, Hoofddorp (NL)

(*) Notice: This patent is subject to a terminal disclaimer.

(**) Term: **15 Years**

(21) Appl. No.: **29/667,361**

(22) Filed: **Oct. 19, 2018**

(30) **Foreign Application Priority Data**

Apr. 20, 2018 (EM) 005243276-0007
Apr. 20, 2018 (EM) 005243276-0008
Apr. 20, 2018 (EM) 005243276-0009

(51) **LOC (12) Cl.** **09-03**

(52) **U.S. Cl.**
USPC **D9/420**

(58) **Field of Classification Search**
USPC D9/414, 420, 423, 424, 430, 431, 499,
D9/730, 734; D3/201, 304, 315;
(Continued)

(56) **References Cited**

U.S. PATENT DOCUMENTS

5,366,104 A * 11/1994 Armstrong B65D 43/163
220/4.22
D421,901 S * 3/2000 Hill D9/423
(Continued)

Primary Examiner — Lauren R Calve

(74) *Attorney, Agent, or Firm* — Troutman Sanders LLP;
Ryan Schneider; Chris Davis

(57) **CLAIM**

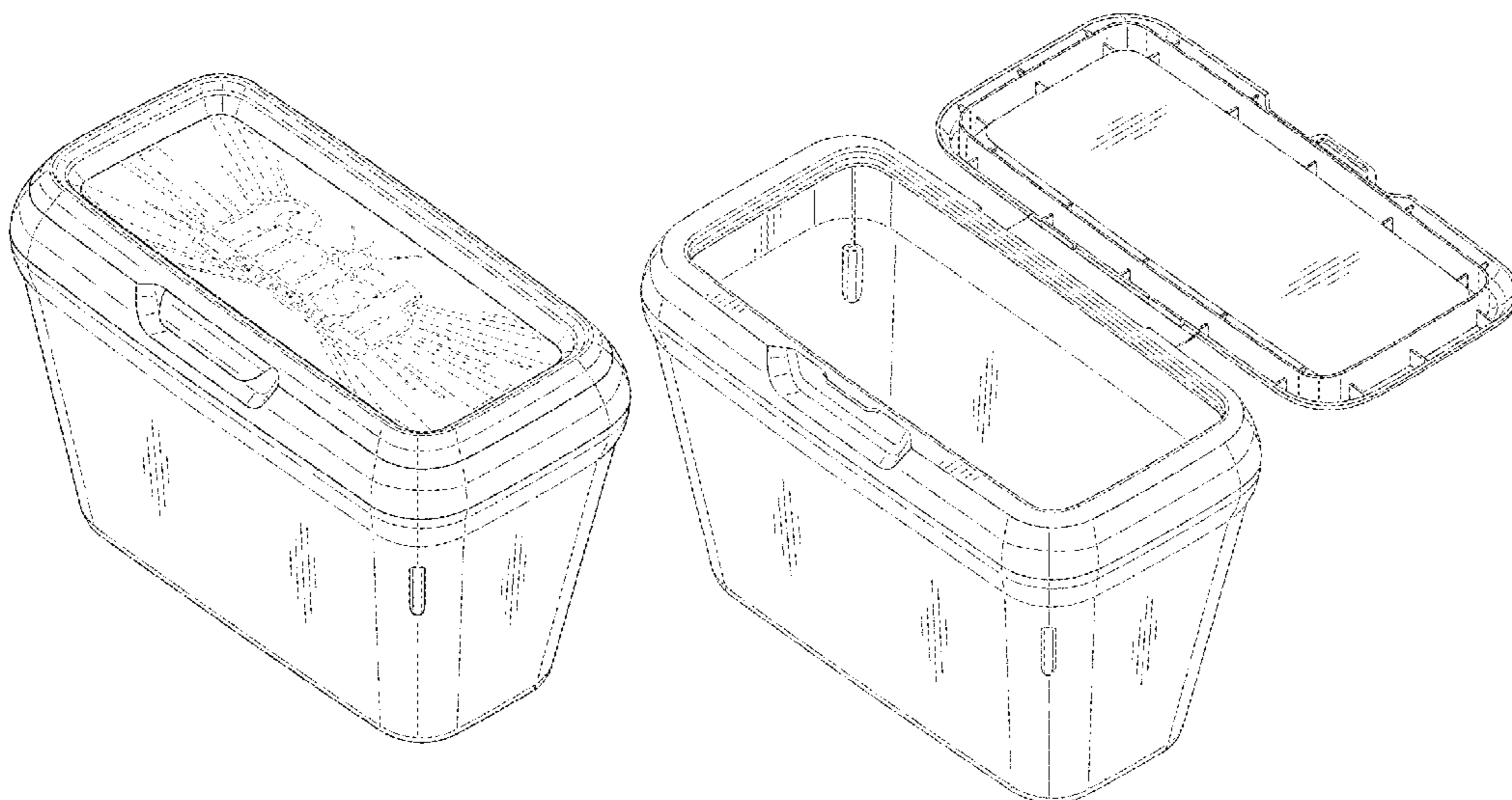
The ornamental design for a storage box, as shown and described.

DESCRIPTION

FIG. 1 is a perspective view of our new design for a storage box;
FIG. 2 is a front elevation view thereof;
FIG. 3 is a rear elevation view thereof;
FIG. 4 is a right side elevation view thereof;
FIG. 5 is a left side elevation view thereof;
FIG. 6 is a top plan view thereof;
FIG. 7 is a bottom plan view thereof;
FIG. 8 is a second embodiment of our new design for a storage box;
FIG. 9 is a front elevation view thereof;
FIG. 10 is a rear elevation view thereof;
FIG. 11 is a right side elevation view thereof;
FIG. 12 is a left side elevation view thereof;
FIG. 13 is a top plan view thereof;
FIG. 14 is a bottom plan view thereof;
FIG. 15 is a third embodiment of our new design for a storage box in an open configuration;
FIG. 16 is a rear elevation view thereof;
FIG. 17 is a front elevation view thereof;
FIG. 18 is a left side elevation view thereof;
FIG. 19 is a right side elevation view thereof;
FIG. 20 is a top plan view thereof; and,
FIG. 21 is a bottom plan thereof.

In the drawings, the broken lines are included for the purpose of illustrating portions of the storage box that form no part of the claimed design.

1 Claim, 13 Drawing Sheets



US D876,950 S

Page 2

(58) **Field of Classification Search**

USPC D6/515, 518, 519, 521, 522, 523;
D7/601, 608, 622, 704; D34/7
CPC B65D 85/00; B65D 43/0202;
B65D 21/0219; B65D 43/169; B65D
43/162; B65D 2543/00027; B65D
2543/00083; B65D 2543/00296; B65D
2543/00564; B65D 2543/00842
See application file for complete search history.

(56) **References Cited**

U.S. PATENT DOCUMENTS

D588,914 S * 3/2009 Laurieu-Tedeschi D9/435
D745,393 S * 12/2015 Robinson D9/434
D835,984 S * 12/2018 Perry D9/420
10,155,609 B2 * 12/2018 Luburic B65D 50/06
D840,684 S * 2/2019 Luburic D3/294
2004/0155048 A1 * 8/2004 Aiken B65D 21/0219
220/801
2004/0173478 A1 * 9/2004 Aramaki B65D 43/162
206/307

2006/0076352 A1 * 4/2006 Peterson B65D 43/0212
220/254.3
2008/0128451 A1 * 6/2008 Krauth B65D 43/169
221/63
2009/0050508 A1 * 2/2009 Van Ness B65D 21/0233
206/515
2009/0289066 A1 * 11/2009 DiPietro B65D 43/0212
220/324
2010/0180553 A1 * 7/2010 Tilton B65D 51/20
53/485
2010/0308044 A1 * 12/2010 Perry B65D 1/42
220/200
2011/0042379 A1 * 2/2011 Fallen B65D 21/0219
220/376
2014/0231445 A1 * 8/2014 Possell B65D 43/169
220/810
2016/0167858 A1 * 6/2016 Sanfilippo B65D 75/5838
220/270
2017/0313477 A1 * 11/2017 Slack B65D 25/16
2017/0327279 A1 * 11/2017 Herlin B65D 21/0219
2018/0092478 A1 * 4/2018 Wilson B65D 47/0847
2019/0216668 A1 * 7/2019 Zakar A61G 17/08

* cited by examiner

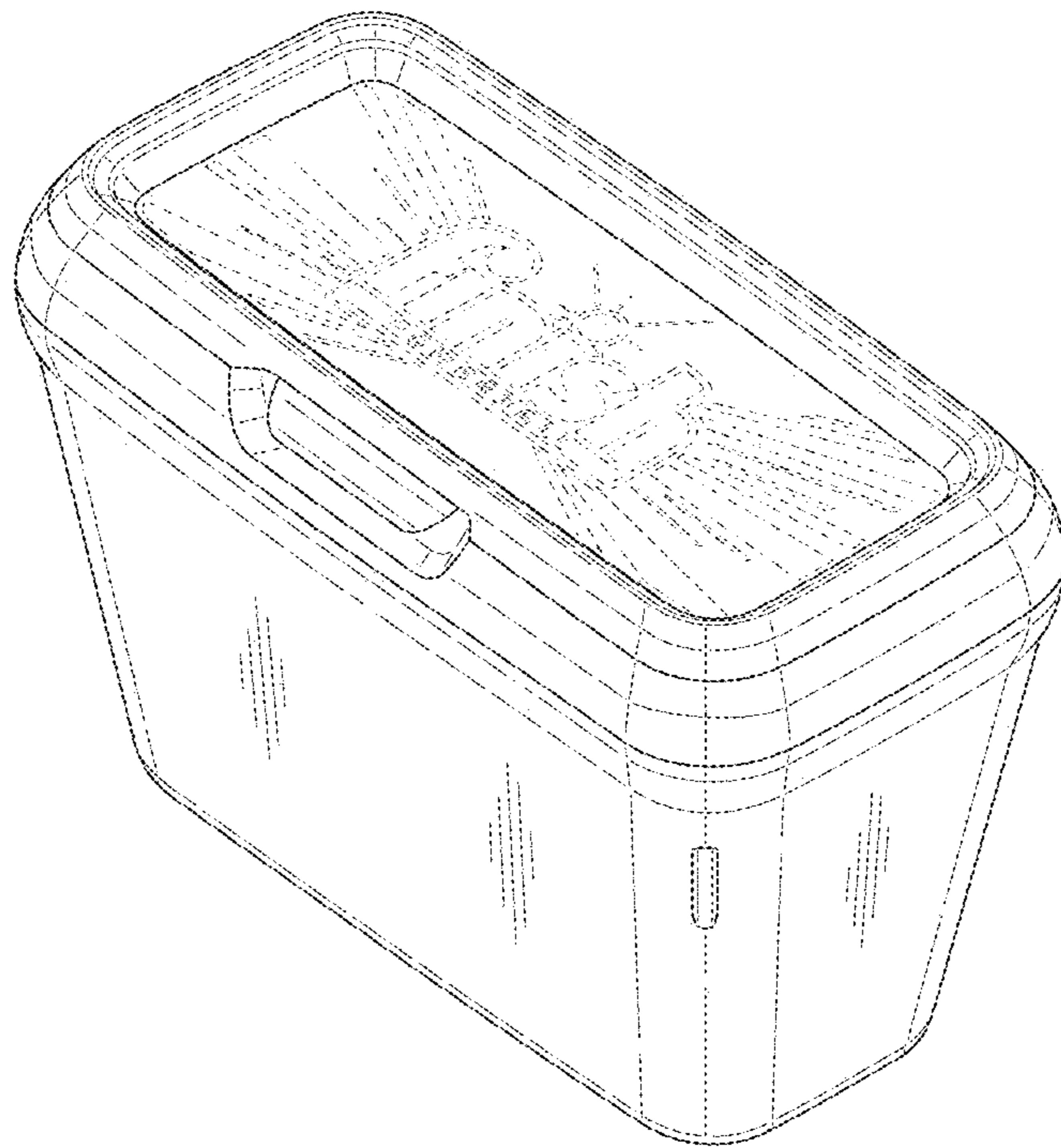


Fig. 1

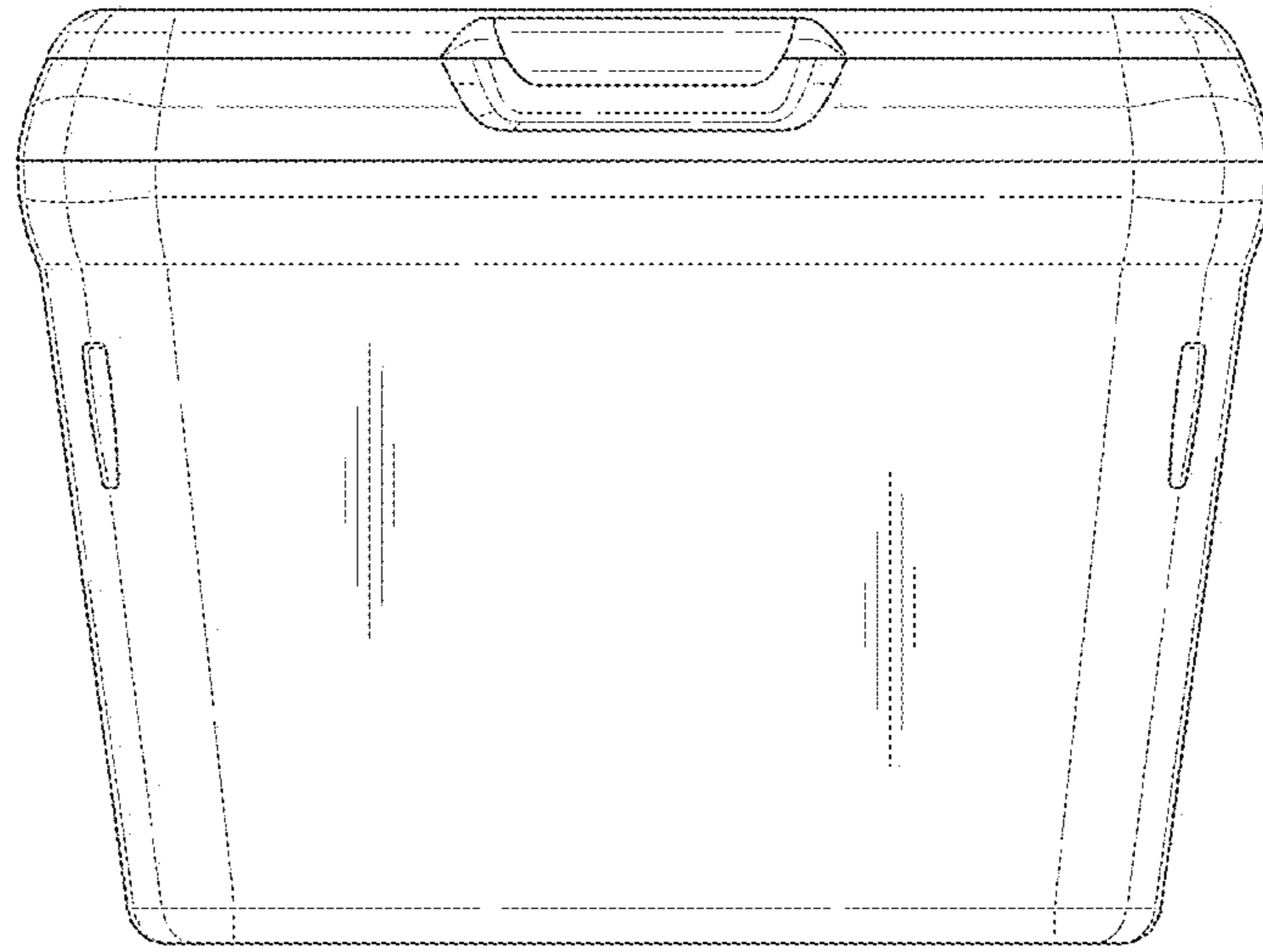


Fig. 2

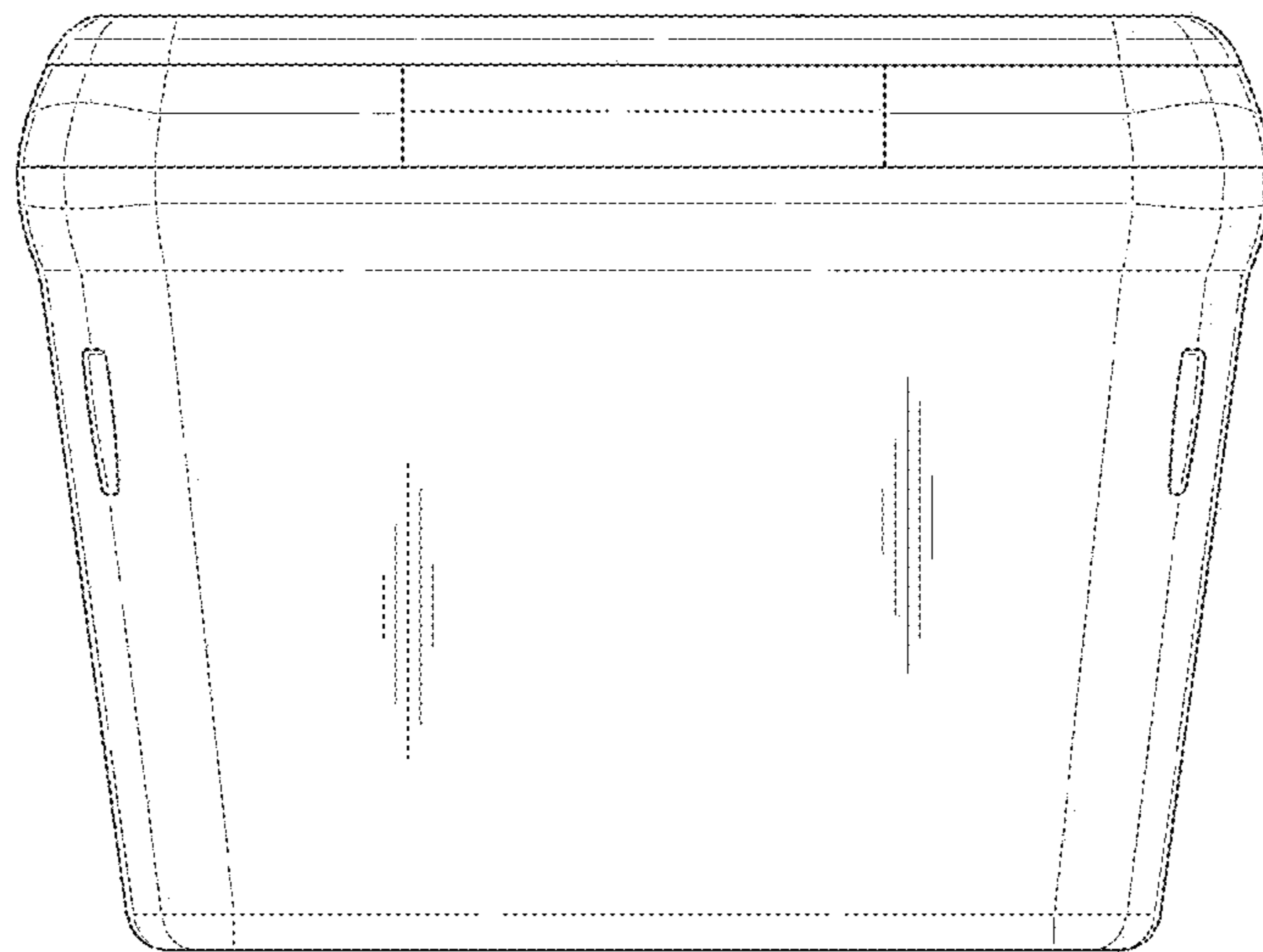


Fig. 3

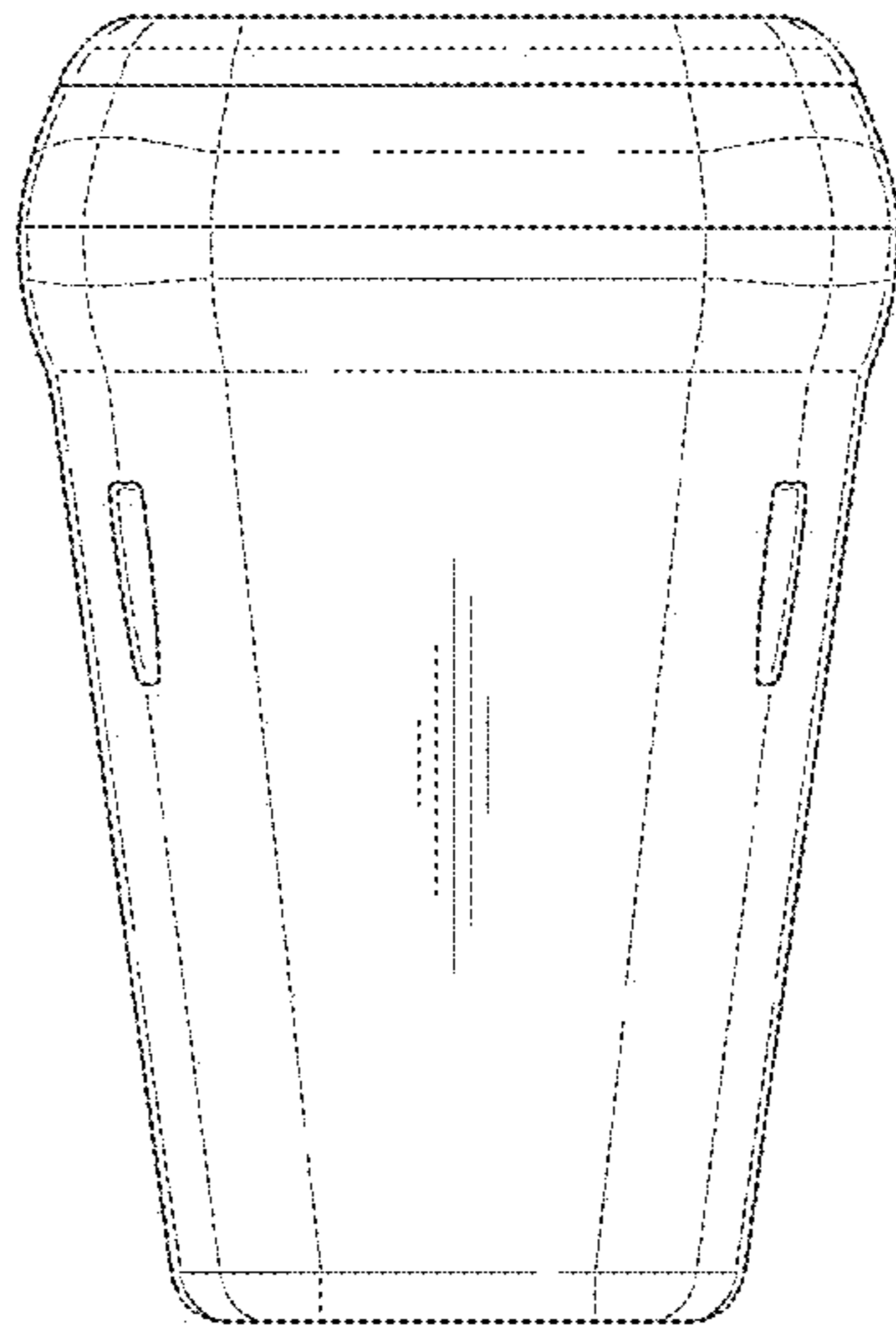


Fig. 4

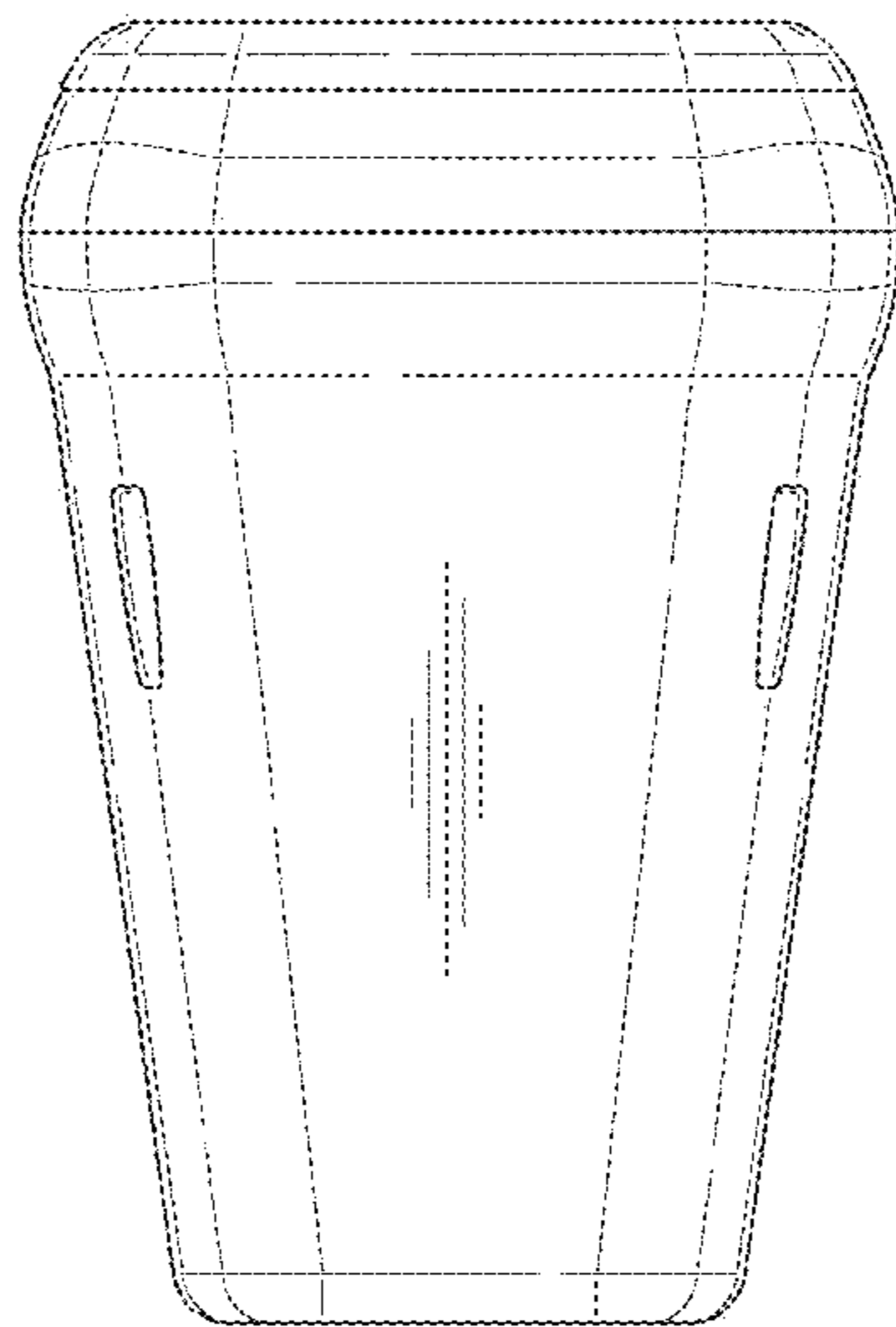


Fig. 5

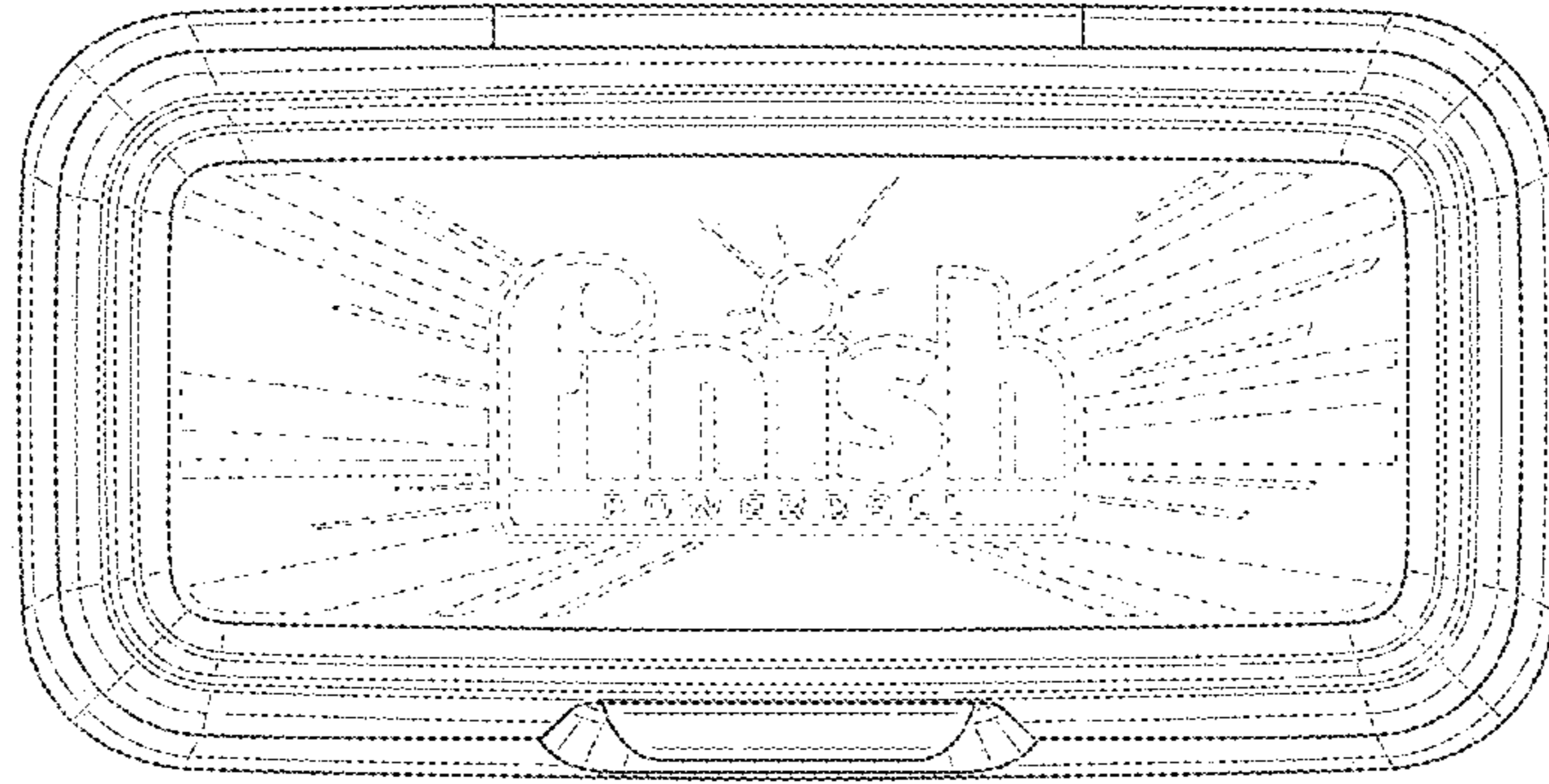


Fig. 6

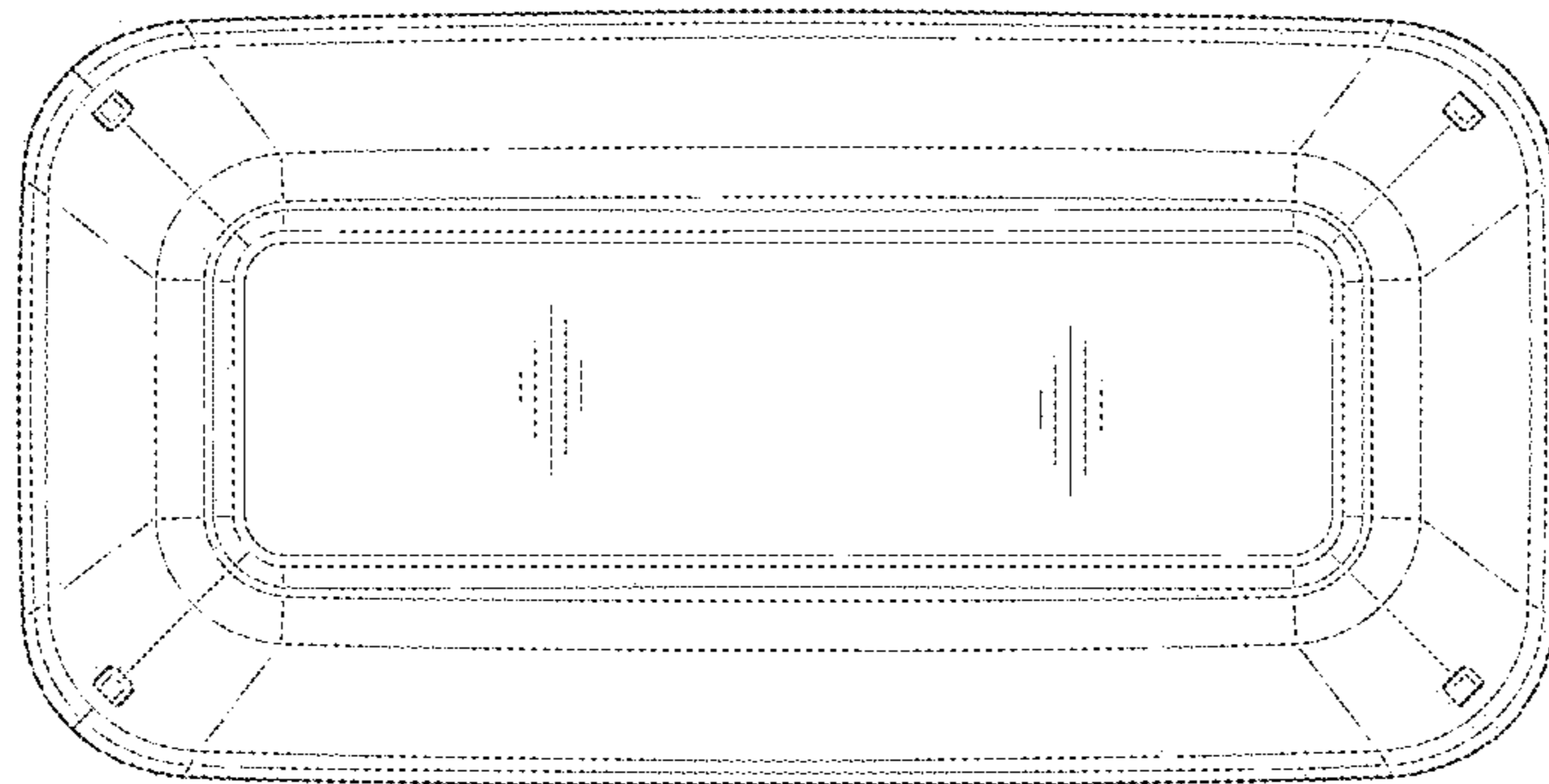


Fig. 7

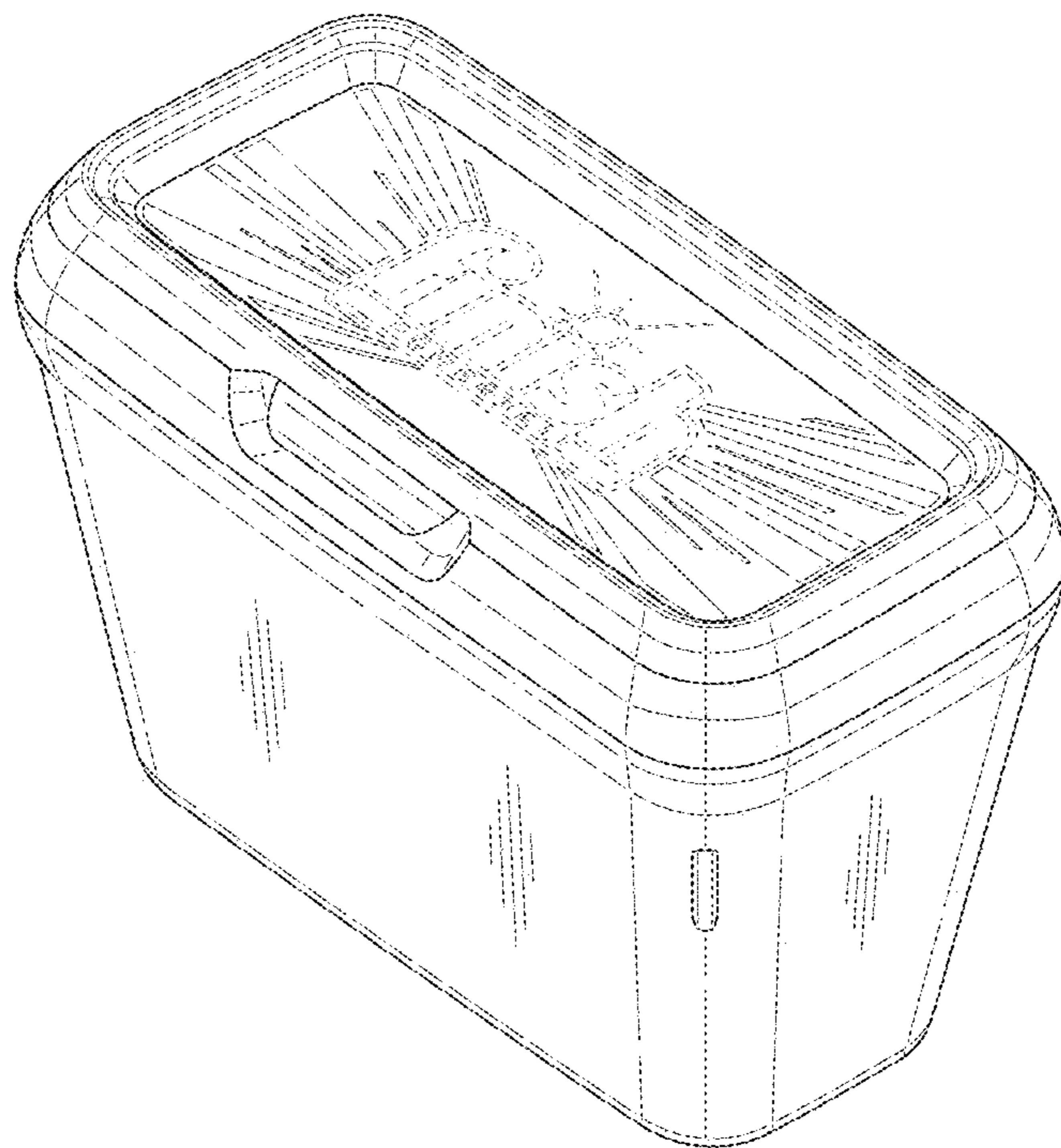


Fig. 8

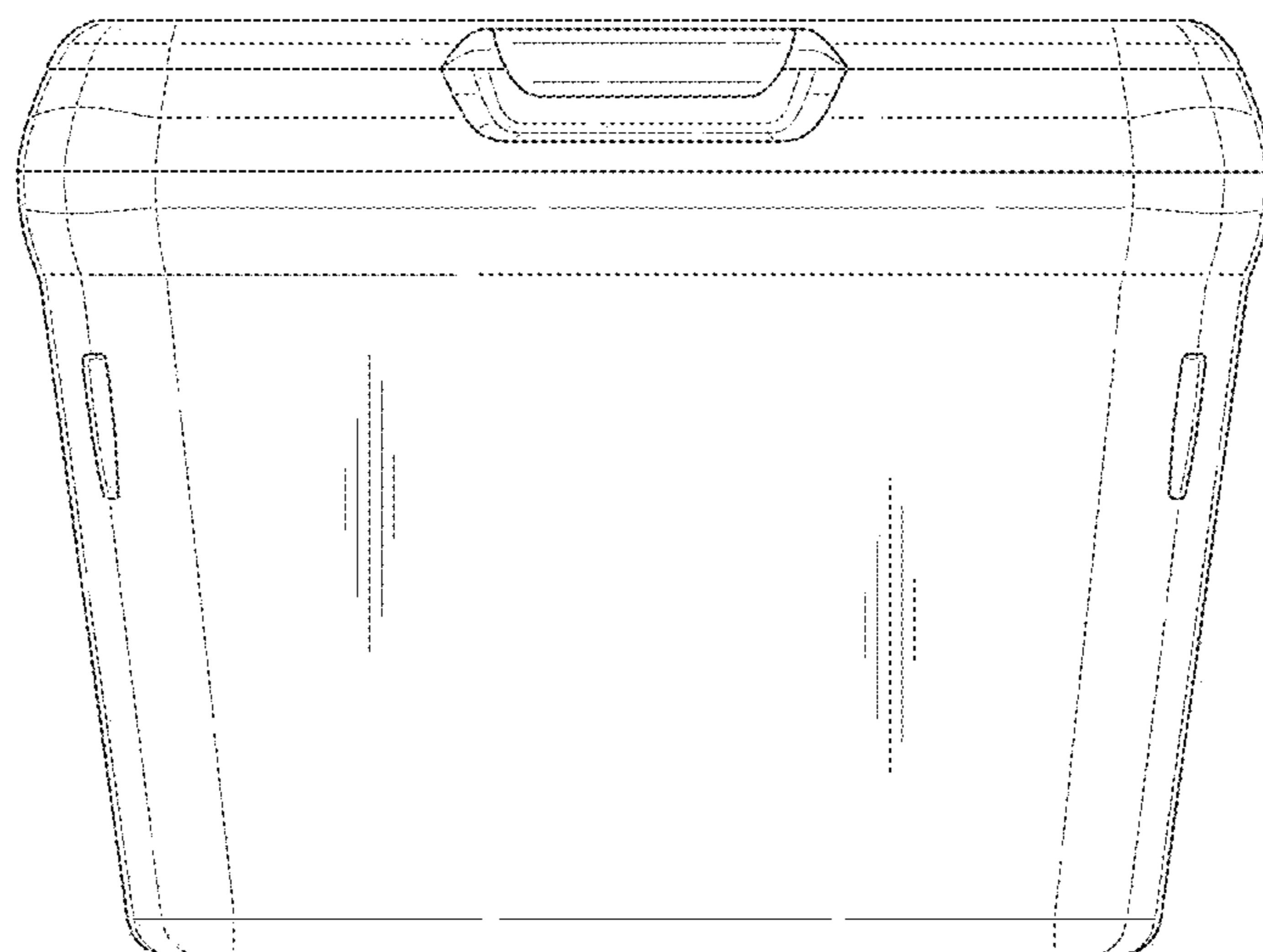


Fig. 9

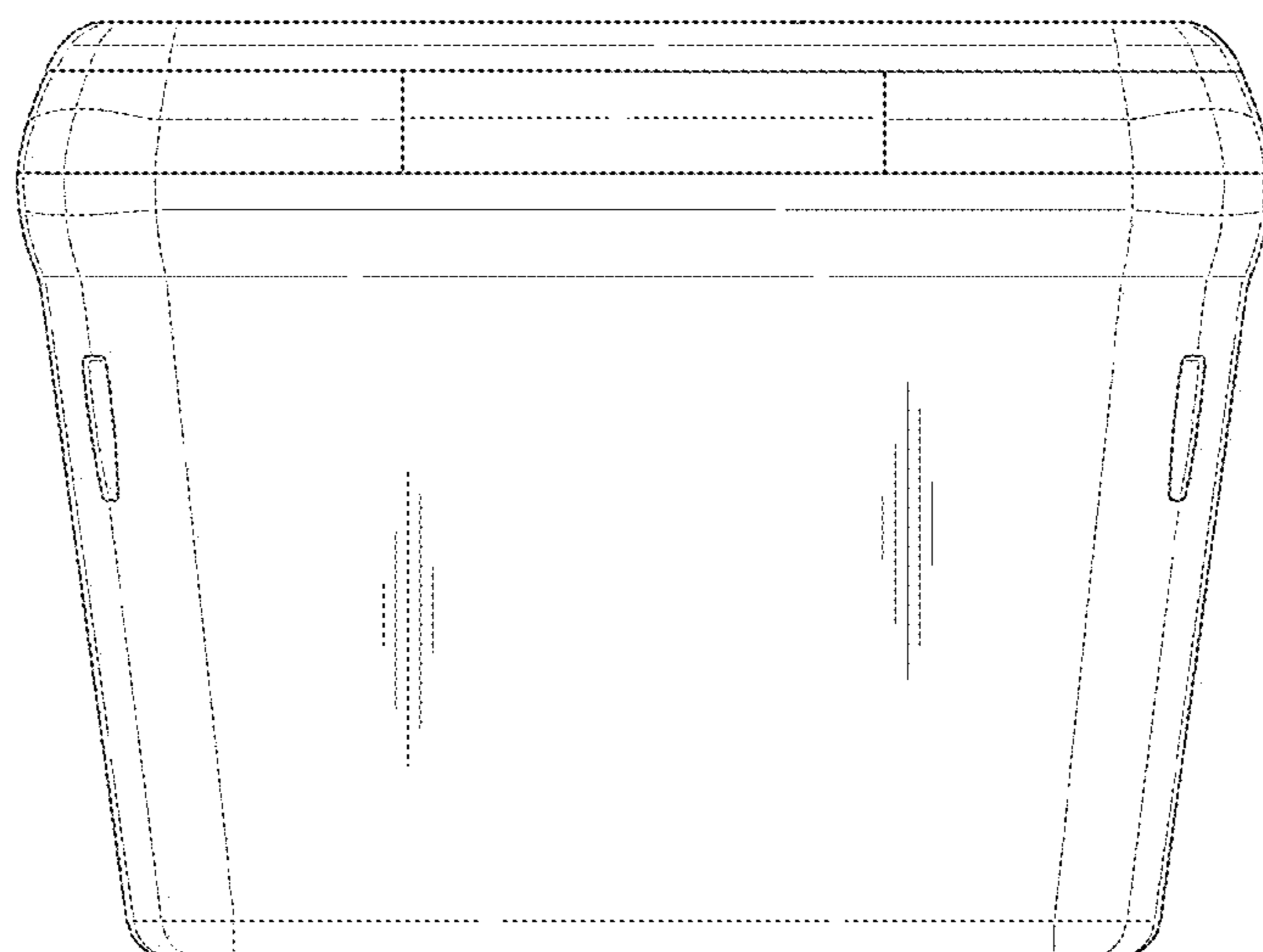


Fig. 10

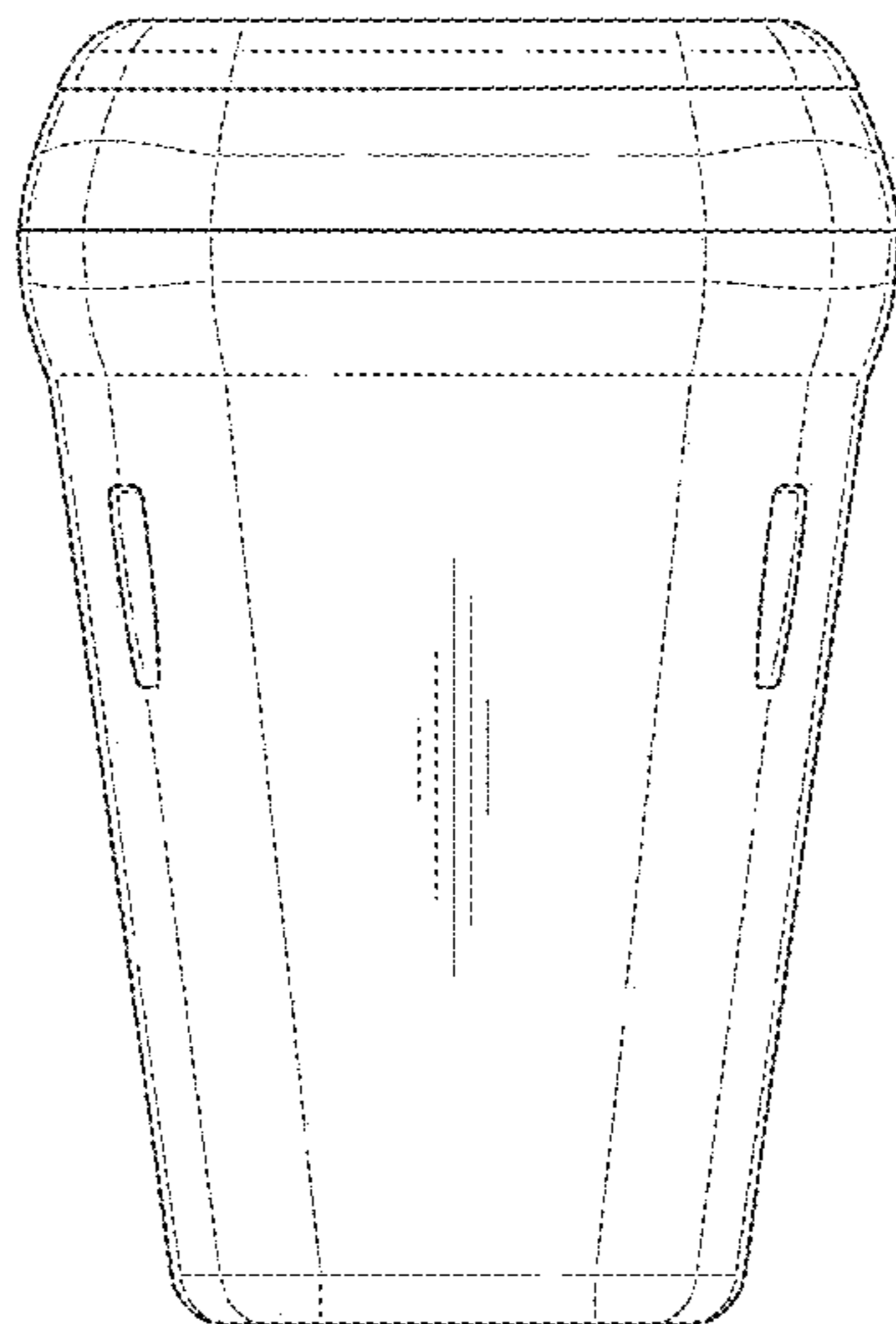


Fig. 11

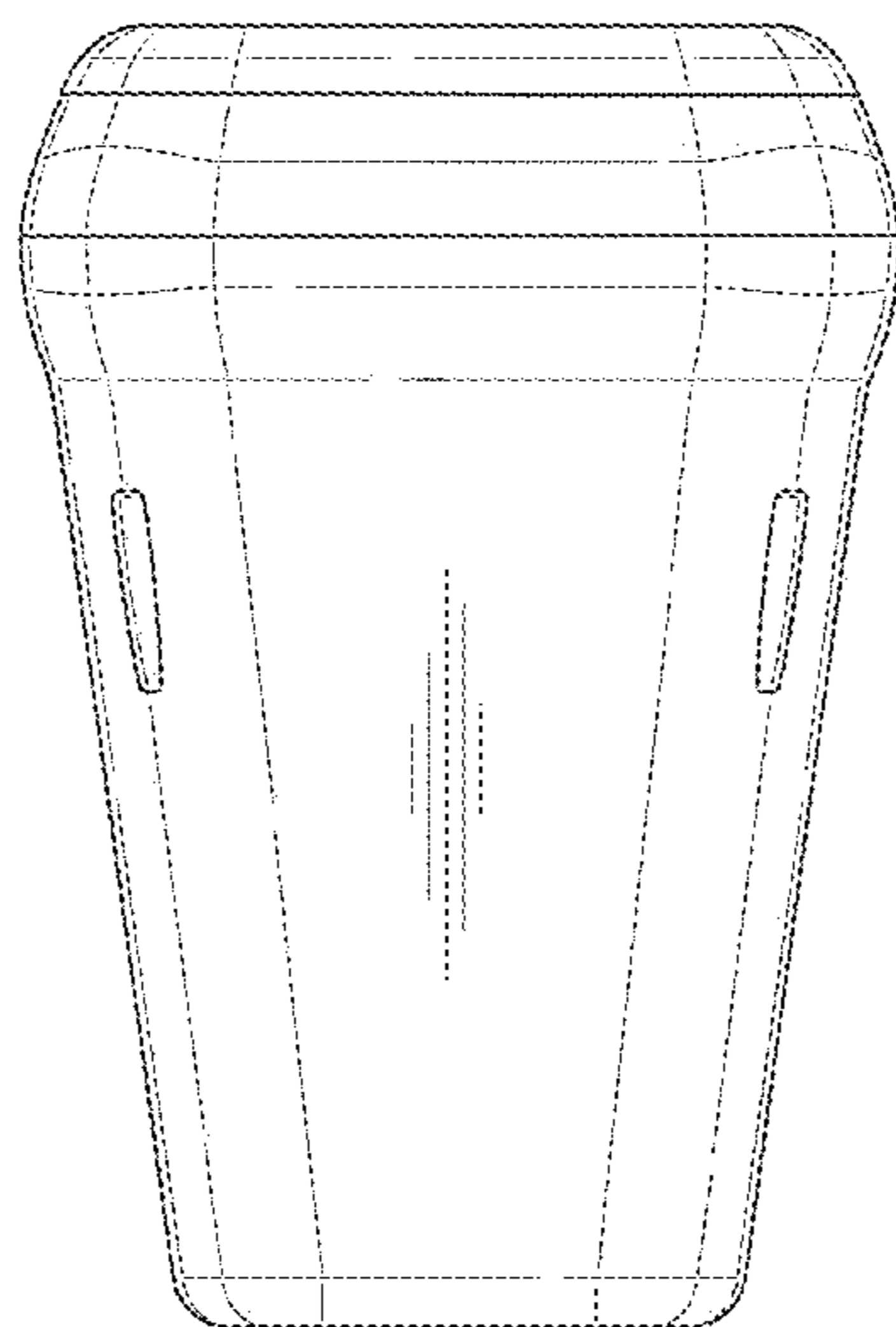


Fig. 12

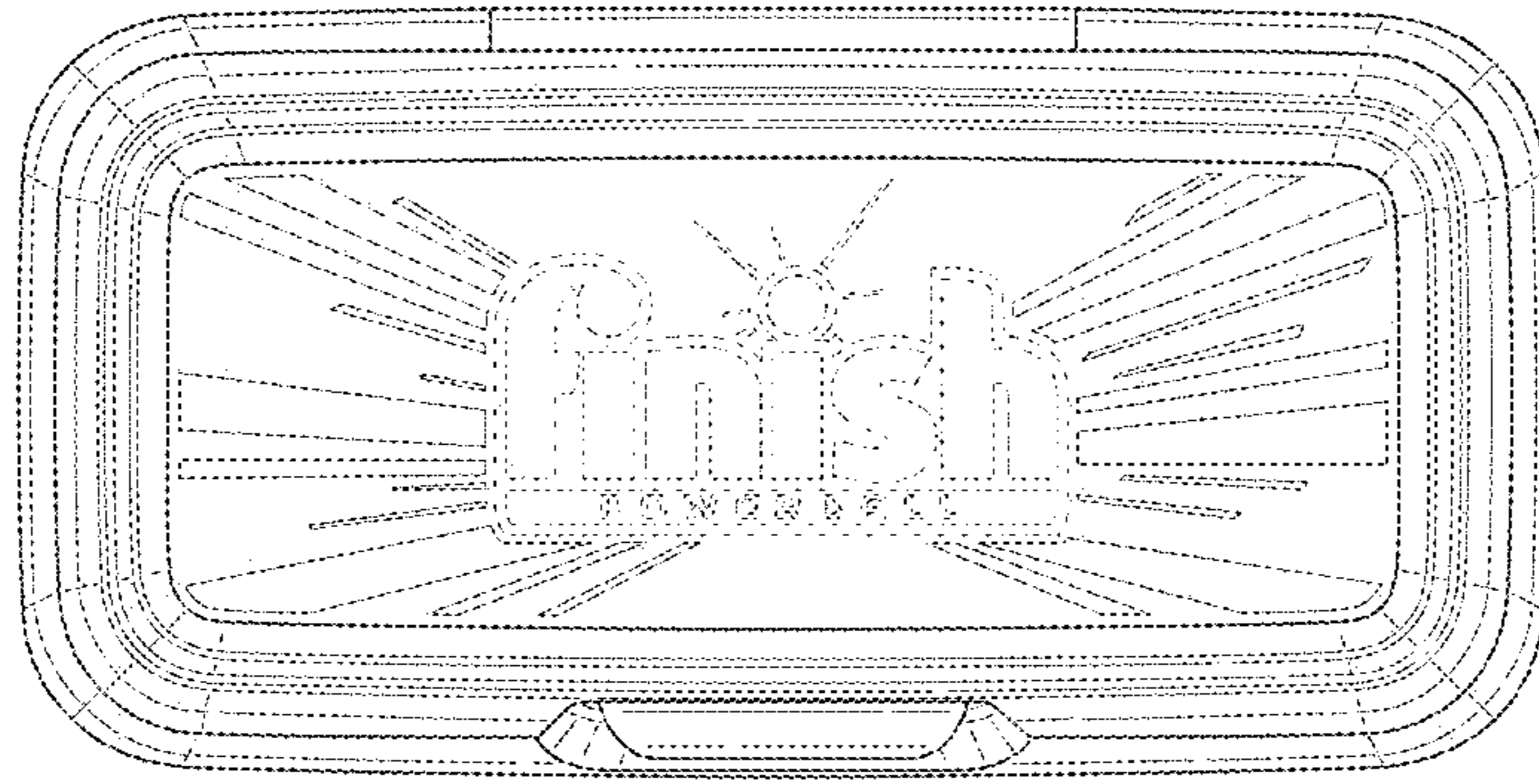


Fig. 13

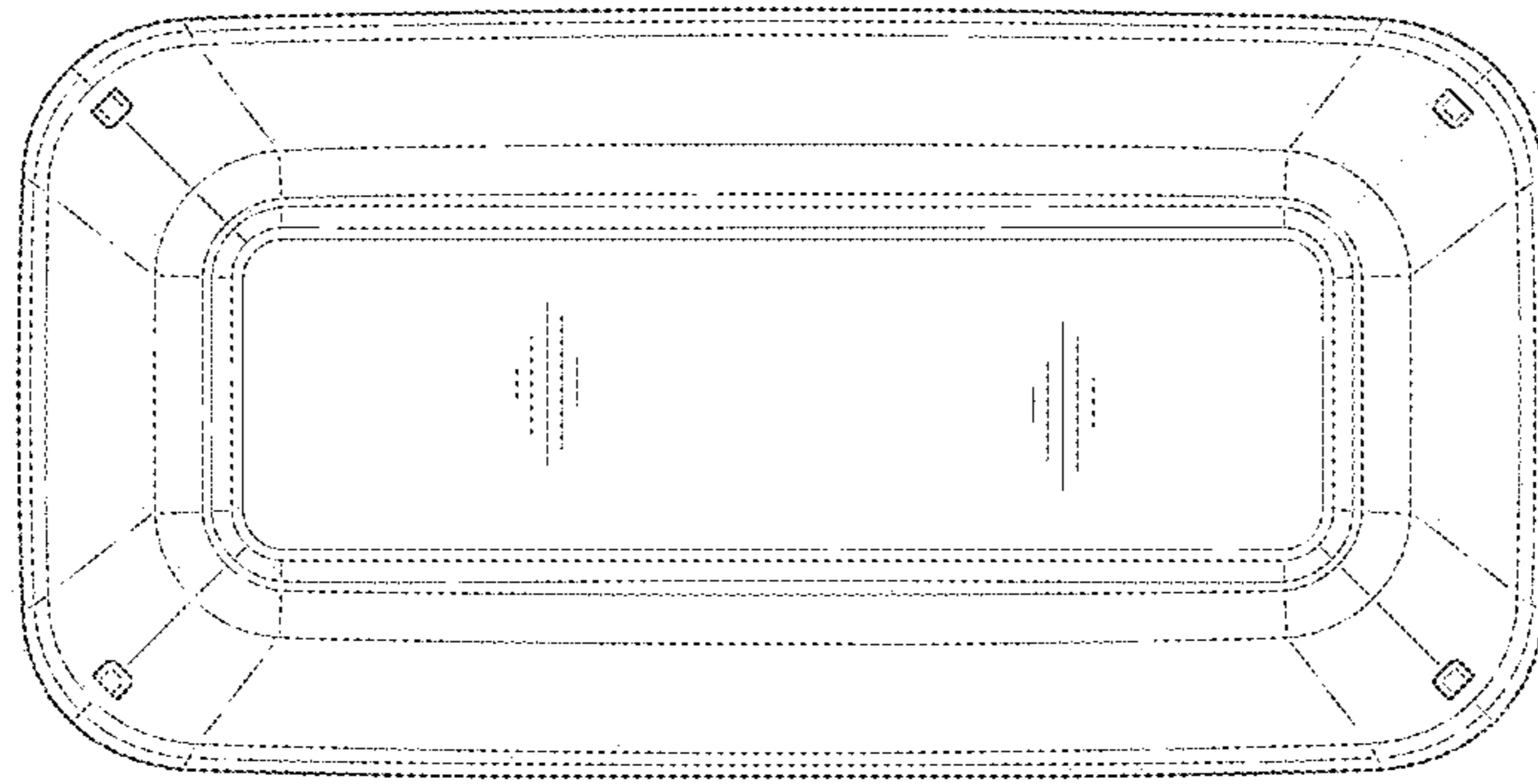


Fig. 14

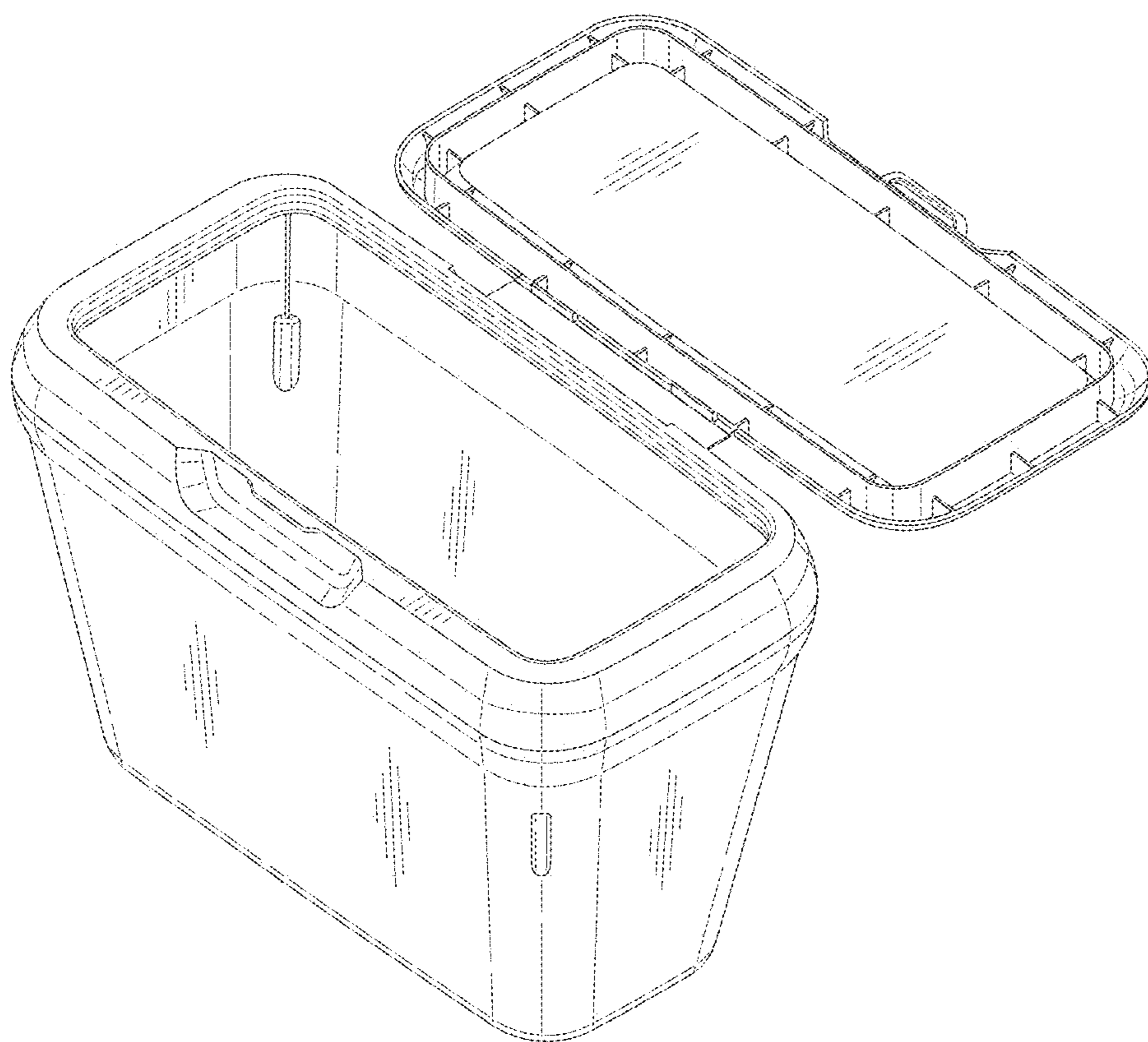


Fig. 15

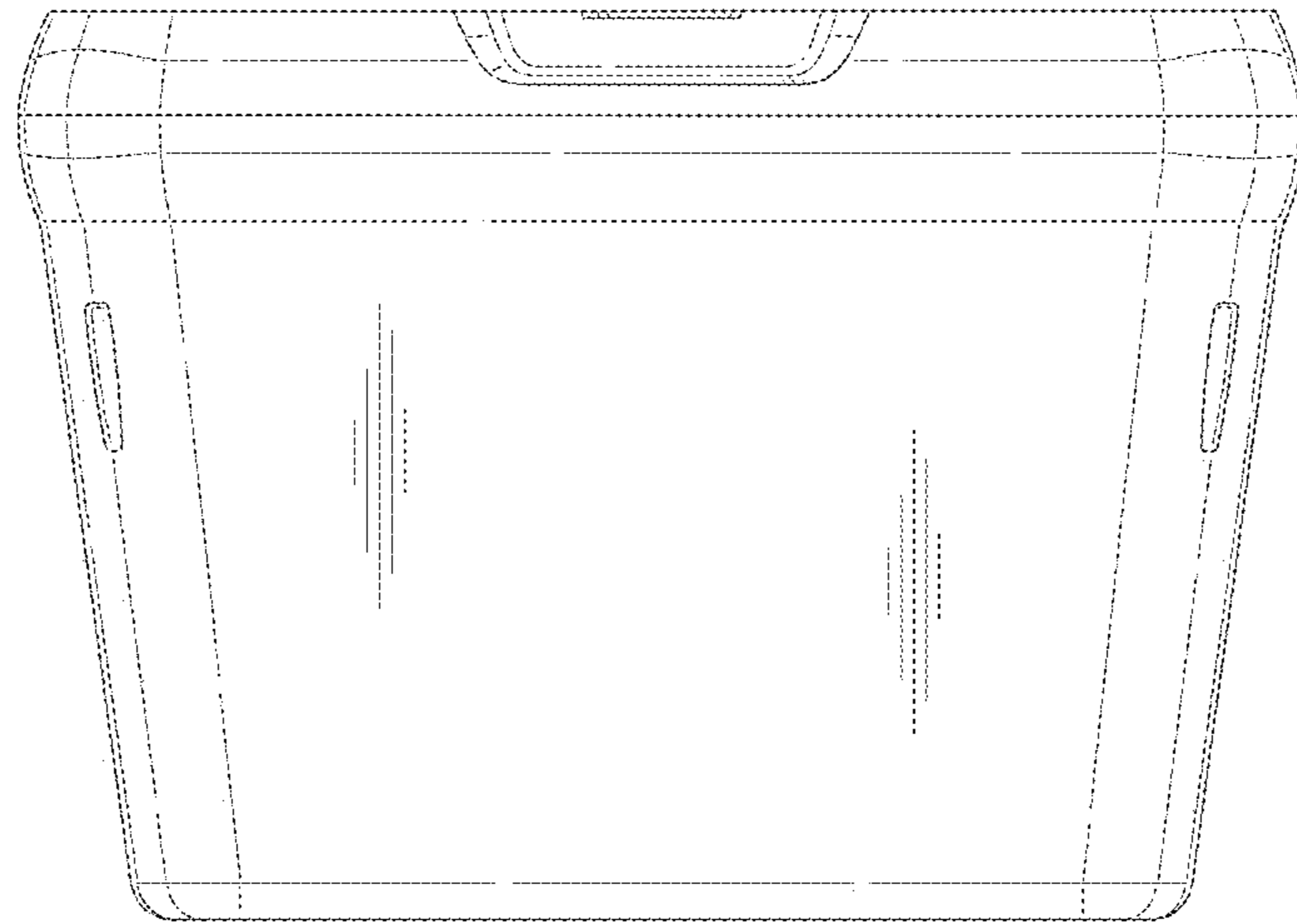


Fig. 16

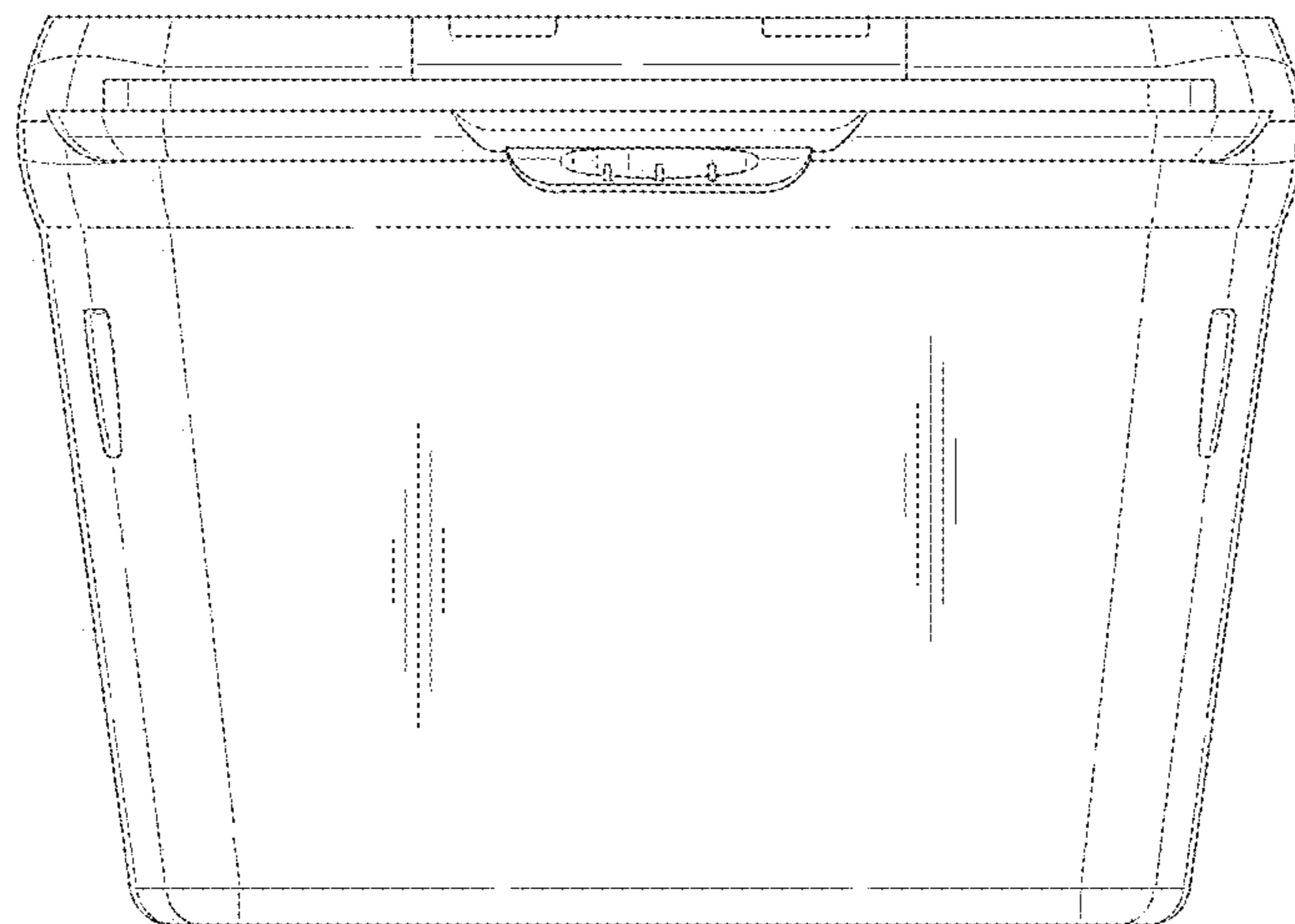


Fig. 17

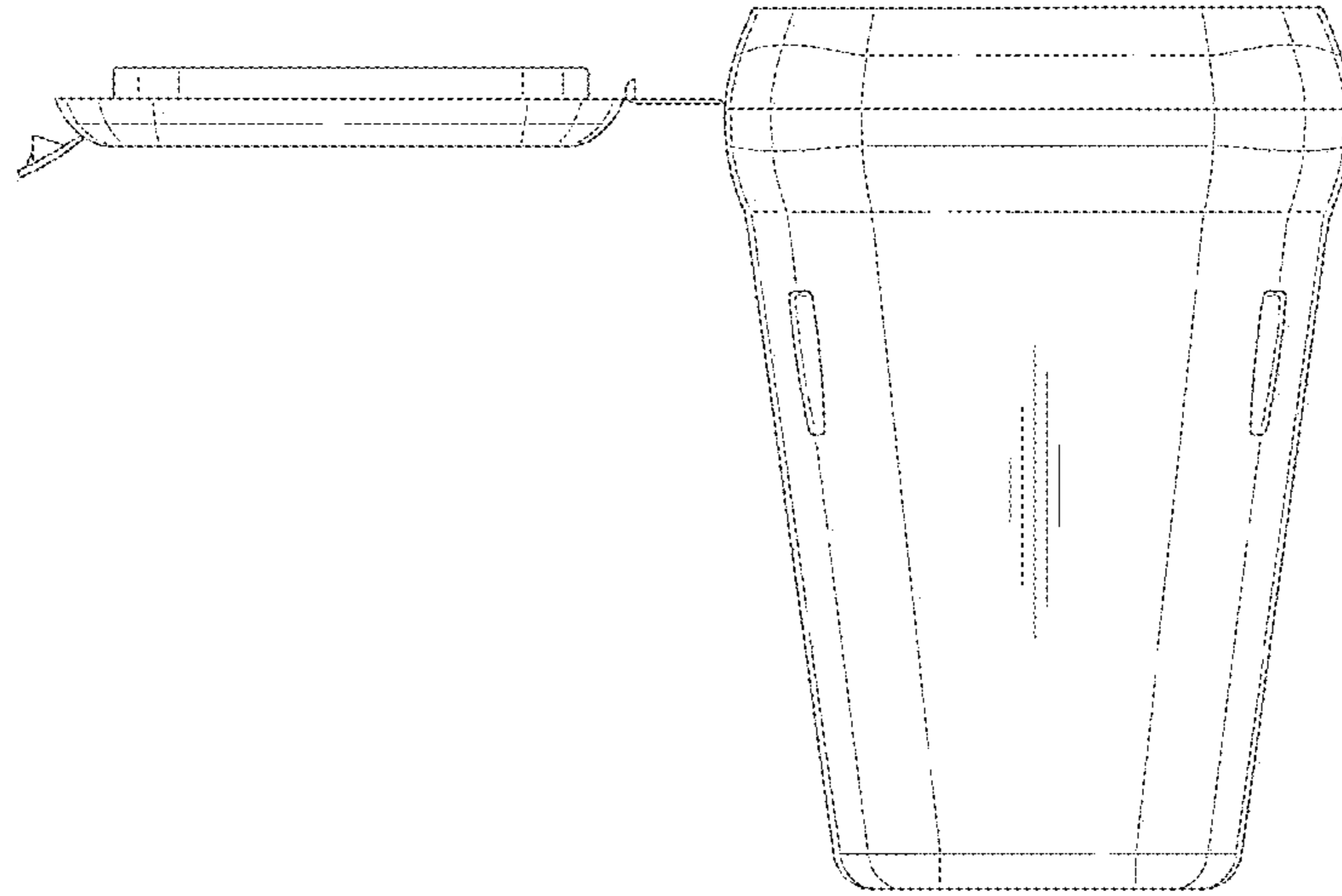


Fig. 18

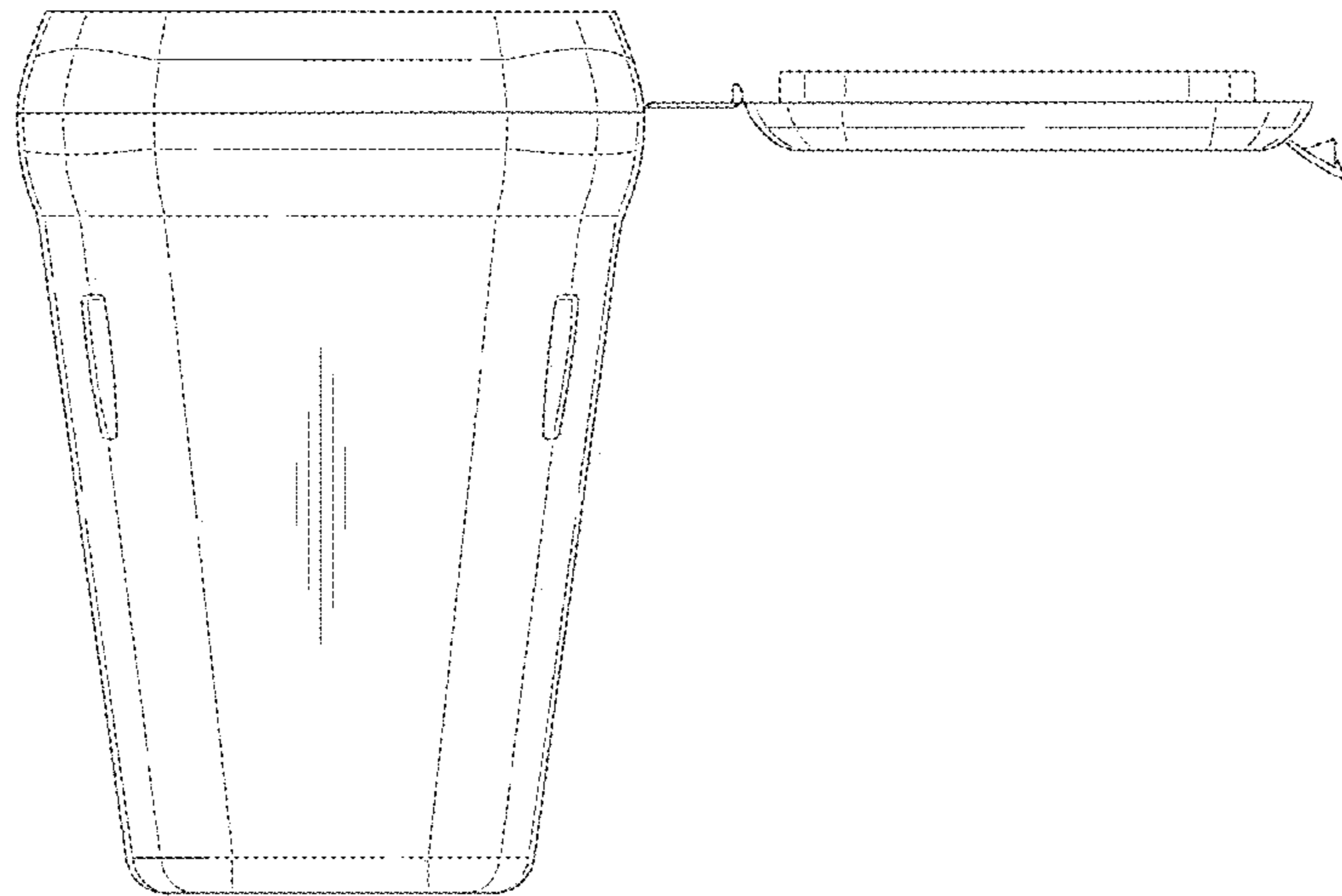


Fig. 19

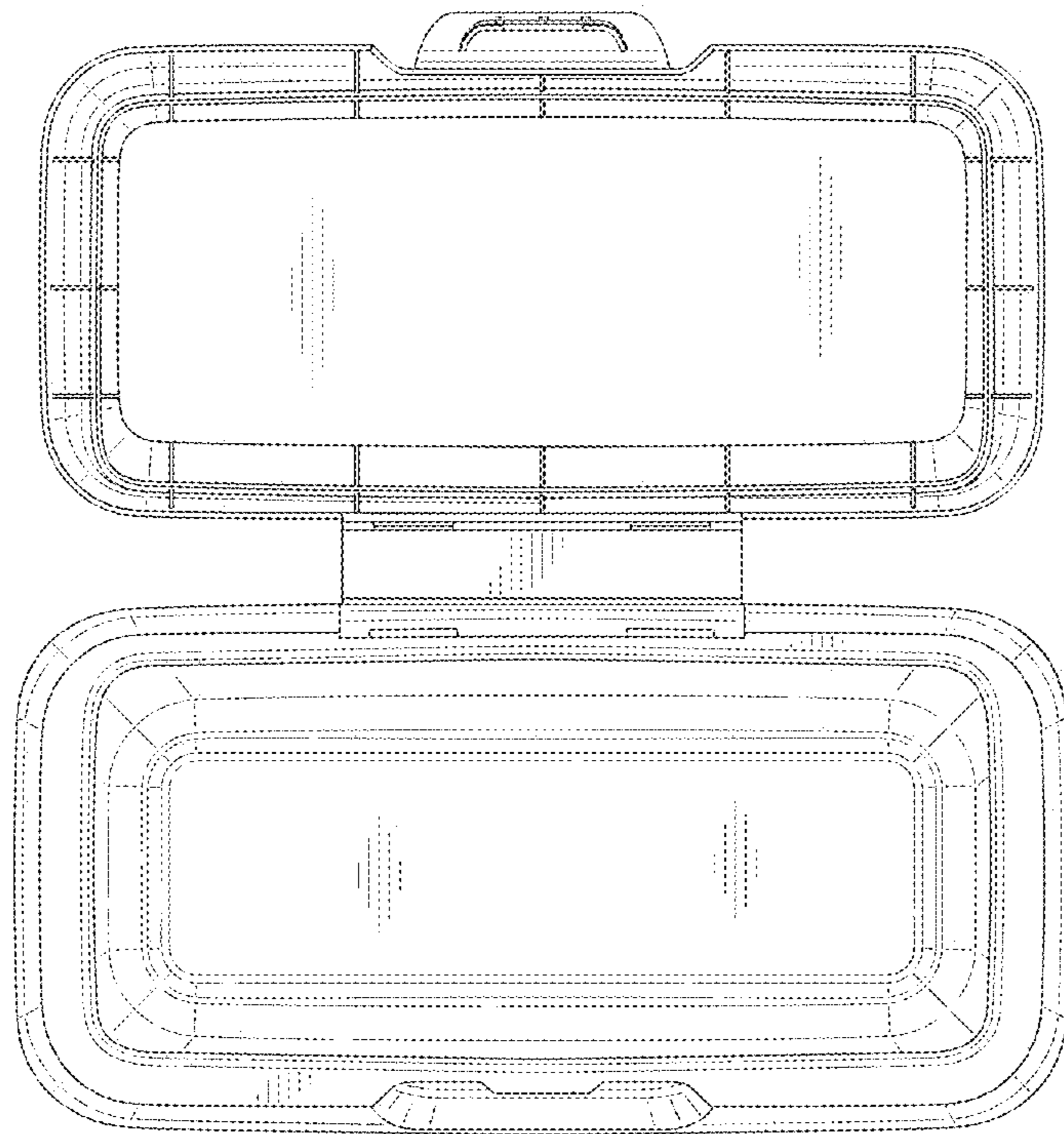


Fig. 20

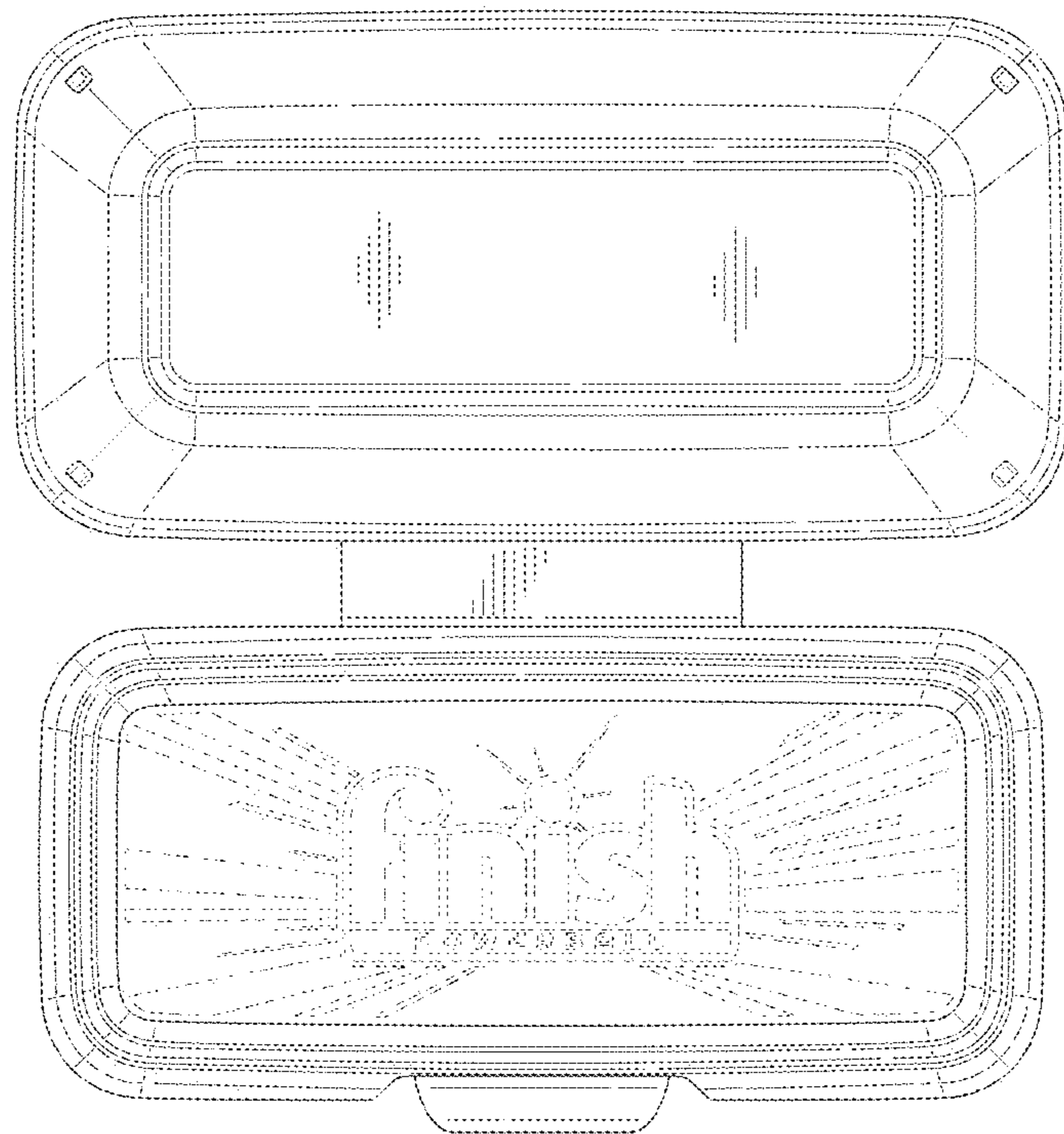


Fig. 21