



US00D876949S

(12) **United States Design Patent**  
**Dietvorst et al.**

(10) **Patent No.: US D876,949 S**

(45) **Date of Patent: \*\* \*Mar. 3, 2020**

(54) **STORAGE BOX**

(71) Applicant: **Reckitt Benckiser Finish B.V.**,  
Hoofddorp (NL)

(72) Inventors: **Taco Dietvorst**, Eindhoven (NL); **Bas Groenendaal**, Eindhoven (NL); **Nicholas Horan**, Slough (GB); **Krzysztof Krajewski**, Schiphol (NL); **Rainer Link**, Heidelberg (DE)

(73) Assignee: **RECKITT BENCKISER FINISH B.V.**, Hoofddorp (NL)

(\*) Notice: This patent is subject to a terminal disclaimer.

(\*\*) Term: **15 Years**

(21) Appl. No.: **29/667,360**

(22) Filed: **Oct. 19, 2018**

(30) **Foreign Application Priority Data**

Apr. 20, 2018 (EM) ..... 005243276-0004  
Apr. 20, 2018 (EM) ..... 005243276-0005  
Apr. 20, 2018 (EM) ..... 005243276-0006

(51) **LOC (12) Cl.** ..... **09-03**

(52) **U.S. Cl.**  
USPC ..... **D9/420**

(58) **Field of Classification Search**  
USPC ..... D9/414, 420, 423, 424, 430, 431, 499,  
D9/730, 734; D3/201, 304, 315;  
(Continued)

(56) **References Cited**

**U.S. PATENT DOCUMENTS**

5,366,104 A \* 11/1994 Armstrong ..... B65D 43/163  
220/4.22  
D421,901 S \* 3/2000 Hill ..... D9/423  
(Continued)

*Primary Examiner* — Lauren R Calve

(74) *Attorney, Agent, or Firm* — Troutman Sanders LLP;  
Ryan Schneider; Chris Davis

(57) **CLAIM**

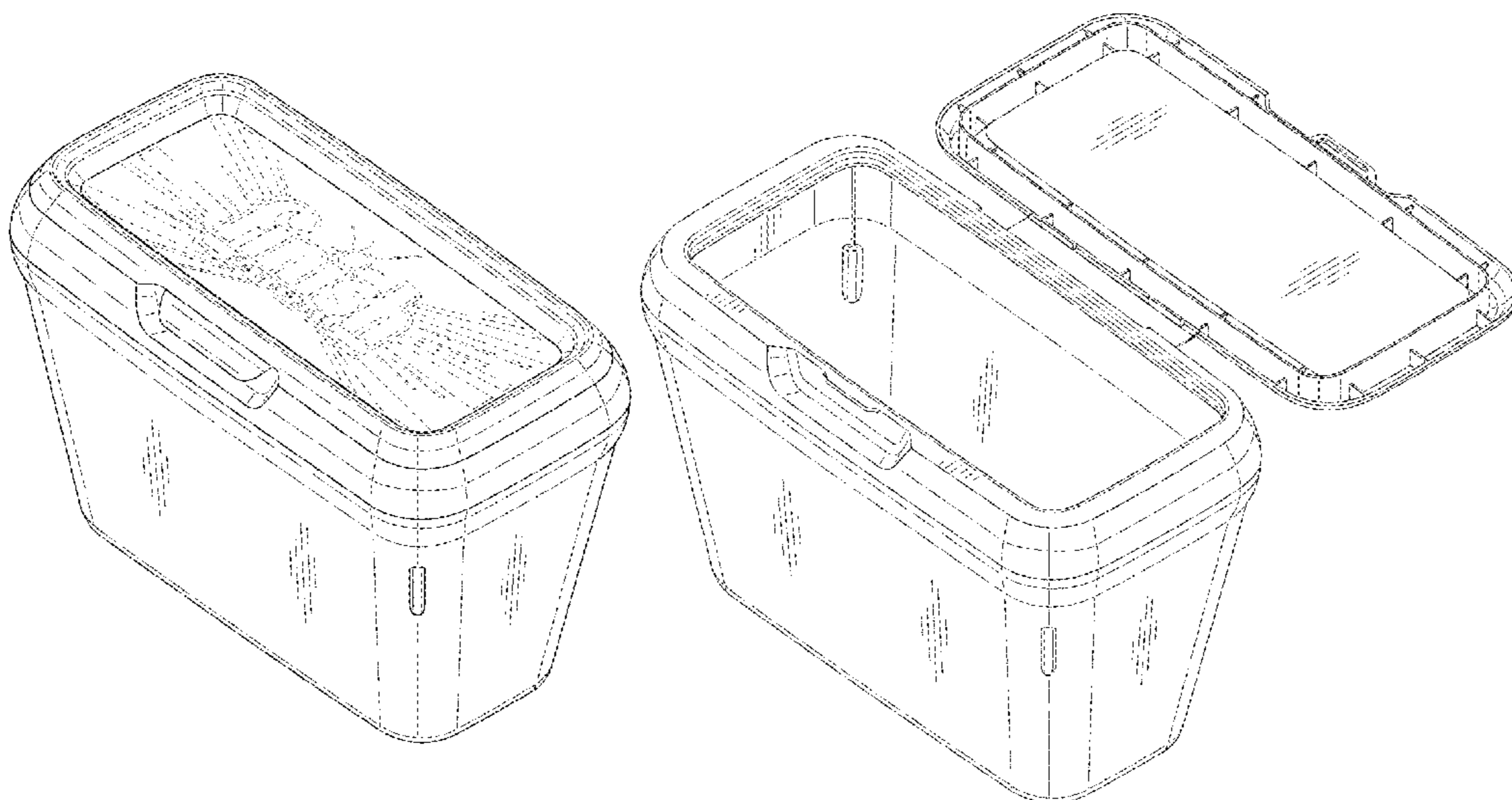
The ornamental design for a storage box, as shown and described.

**DESCRIPTION**

FIG. 1 is a perspective view of our new design for a storage box;  
FIG. 2 is a front elevation view thereof;  
FIG. 3 is a rear elevation view thereof;  
FIG. 4 is a right side elevation view thereof;  
FIG. 5 is a left side elevation view thereof;  
FIG. 6 is a top plan view thereof;  
FIG. 7 is a bottom plan view thereof;  
FIG. 8 is a second embodiment of our new design for a storage box;  
FIG. 9 is a front elevation view thereof;  
FIG. 10 is a rear elevation view thereof;  
FIG. 11 is a right side elevation view thereof;  
FIG. 12 is a left side elevation view thereof;  
FIG. 13 is a top plan view thereof;  
FIG. 14 is a bottom plan view thereof;  
FIG. 15 is a third embodiment of our new design for a storage box in an open configuration;  
FIG. 16 is a rear elevation view thereof;  
FIG. 17 is a front elevation view thereof;  
FIG. 18 is a left side elevation view thereof;  
FIG. 19 is a right side elevation view thereof;  
FIG. 20 is a top plan view thereof; and,  
FIG. 21 is a bottom plan thereof.

In the drawings, the broken lines are included for the purpose of illustrating portions of the storage box that form no part of the claimed design.

**1 Claim, 13 Drawing Sheets**



# US D876,949 S

Page 2

(58) **Field of Classification Search**

USPC ..... D6/515, 518, 519, 521, 522, 523;  
D7/601, 608, 622, 704; D34/7  
CPC ..... B65D 85/00; B65D 43/0202; B65D  
21/0219; B65D 43/169; B65D 43/162;  
B65D 2543/00027; B65D 2543/00083;  
B65D 2543/00296; B65D 2543/00564;  
B65D 2543/00842

See application file for complete search history.

(56) **References Cited**

U.S. PATENT DOCUMENTS

D588,914 S \* 3/2009 Laurieu-Tedeschi ..... D9/435  
D745,393 S \* 12/2015 Robinson ..... D9/434  
D835,984 S \* 12/2018 Perry ..... D9/420  
10,155,609 B2 \* 12/2018 Luburic ..... B65D 50/06  
D840,684 S \* 2/2019 Luburic ..... D3/294  
2004/0155048 A1 \* 8/2004 Aiken ..... B65D 21/0219  
220/801  
2004/0173478 A1 \* 9/2004 Aramaki ..... B65D 43/162  
206/307

2006/0076352 A1 \* 4/2006 Peterson ..... B65D 43/0212  
220/254.3  
2008/0128451 A1 \* 6/2008 Krauth ..... B65D 43/169  
221/63  
2009/0050508 A1 \* 2/2009 Van Ness ..... B65D 21/0233  
206/515  
2009/0289066 A1 \* 11/2009 DiPietro ..... B65D 43/0212  
220/324  
2010/0180553 A1 \* 7/2010 Tilton ..... B65D 51/20  
53/485  
2010/0308044 A1 \* 12/2010 Perry ..... B65D 1/42  
220/200  
2011/0042379 A1 \* 2/2011 Fallen ..... B65D 21/0219  
220/376  
2014/0231445 A1 \* 8/2014 Possell ..... B65D 43/169  
220/810  
2016/0167858 A1 \* 6/2016 Sanfilippo ..... B65D 75/5838  
220/270  
2017/0313477 A1 \* 11/2017 Slack ..... B65D 25/16  
2017/0327279 A1 \* 11/2017 Herlin ..... B65D 21/0219  
2018/0092478 A1 \* 4/2018 Wilson ..... B65D 47/0847  
2019/0216668 A1 \* 7/2019 Zakar ..... A61G 17/08

\* cited by examiner

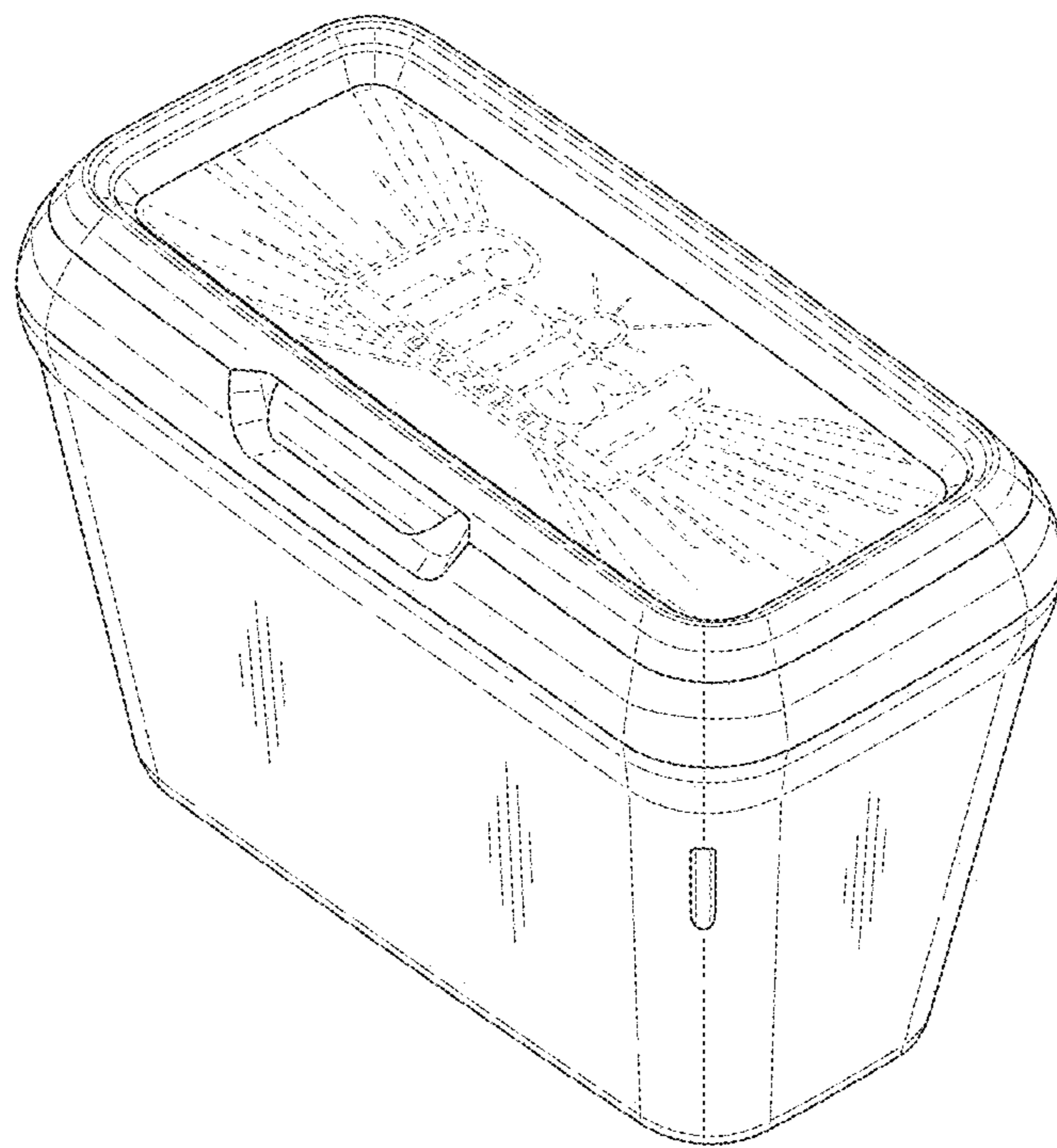


Fig. 1

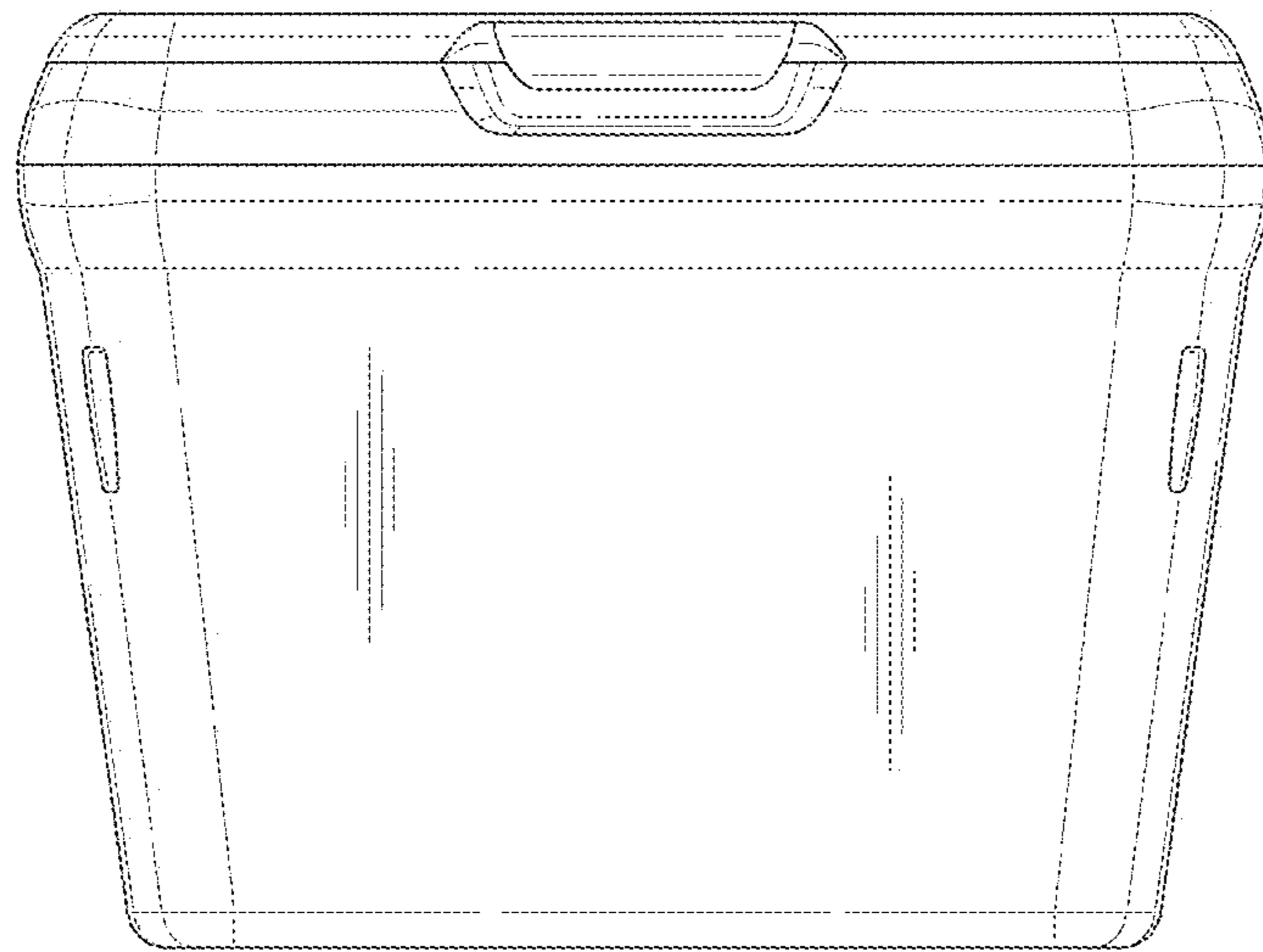


Fig. 2

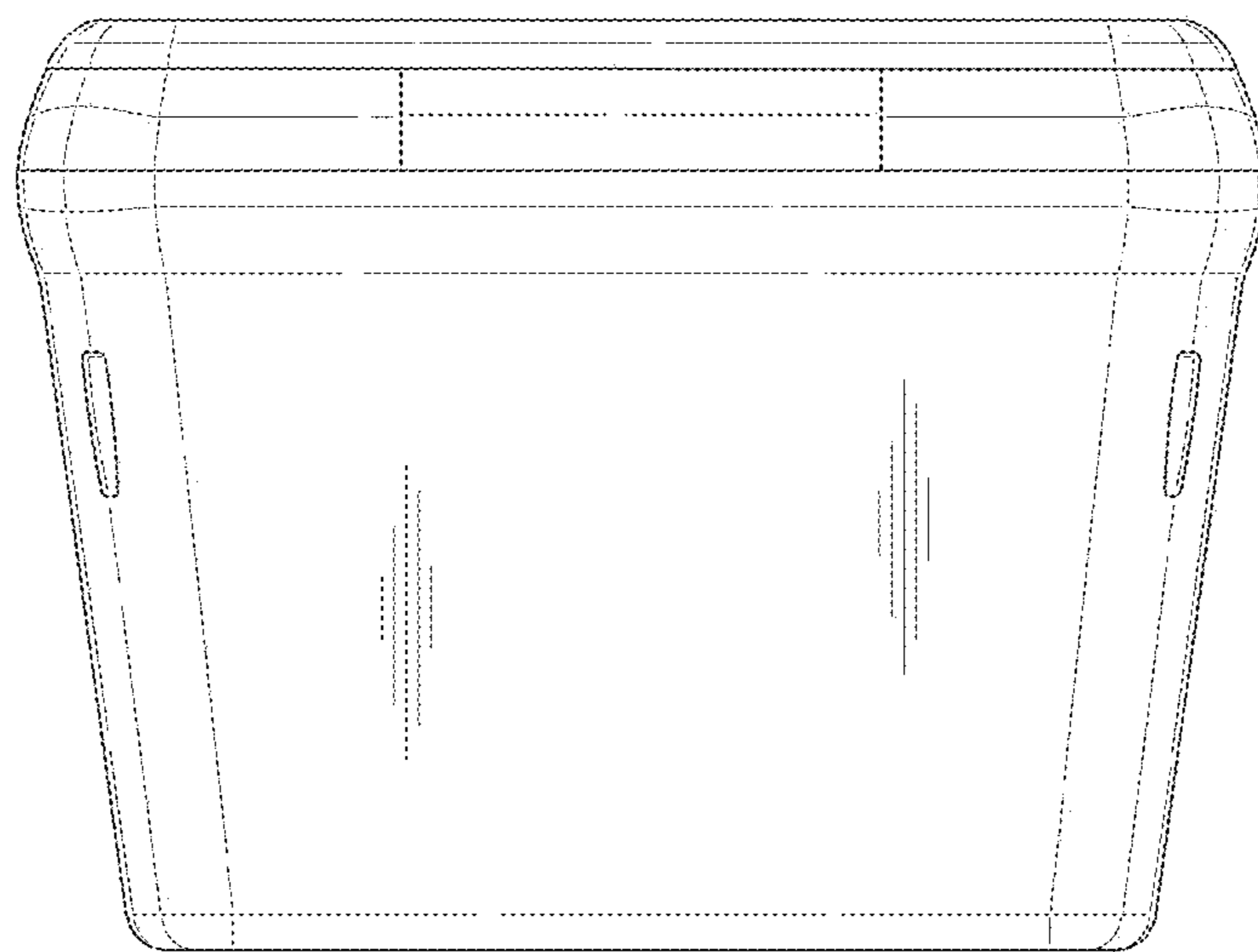


Fig. 3

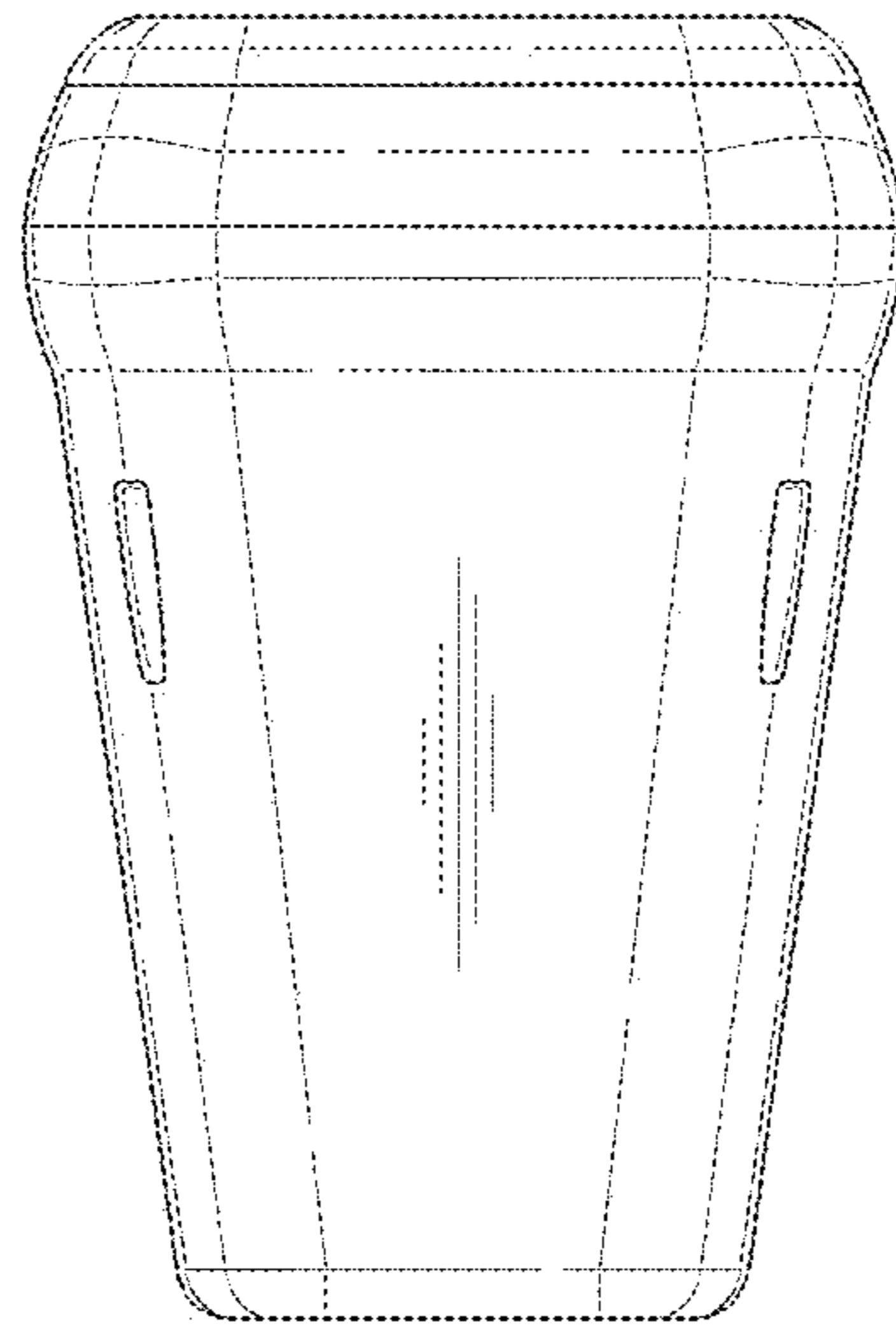


Fig. 4

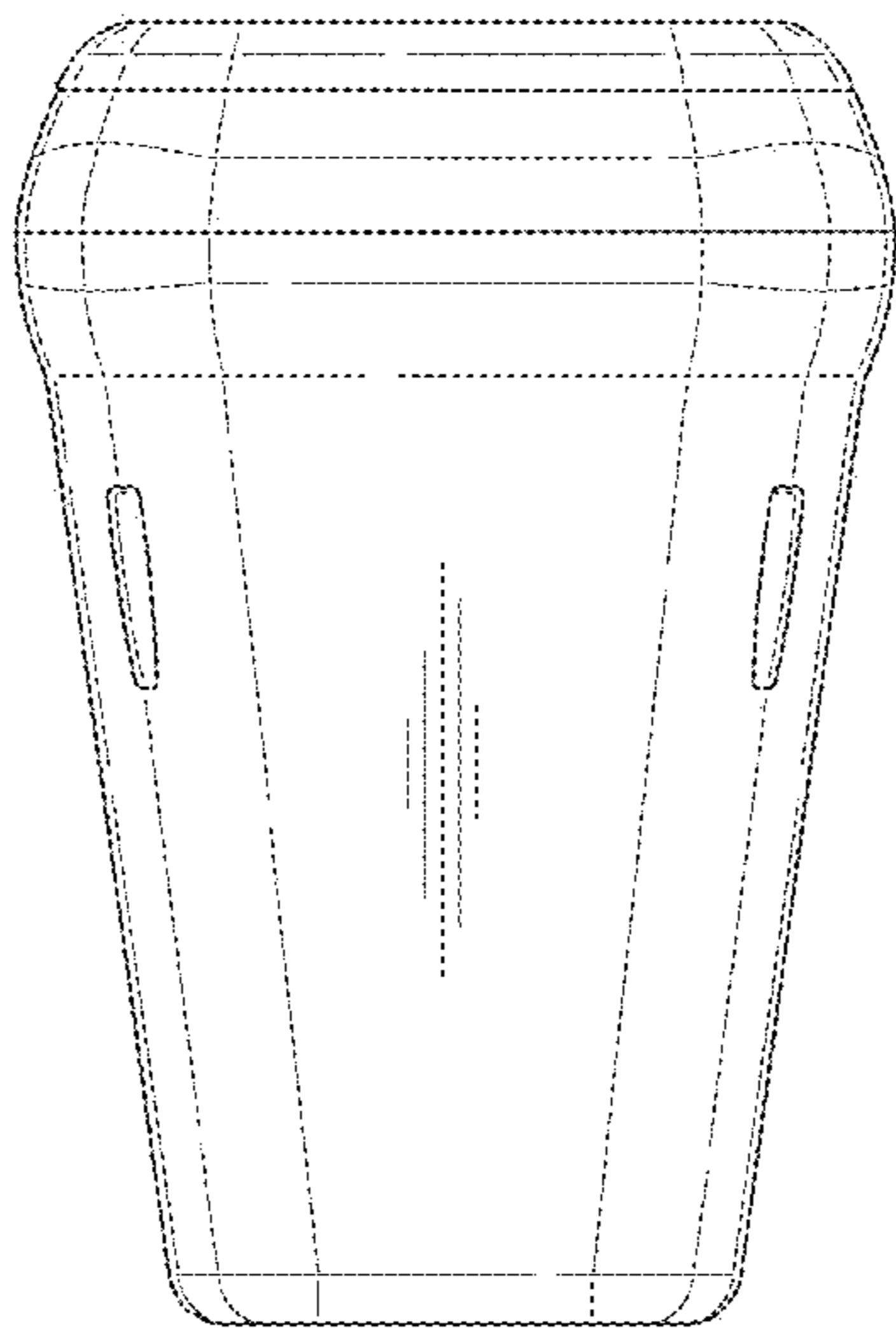


Fig. 5

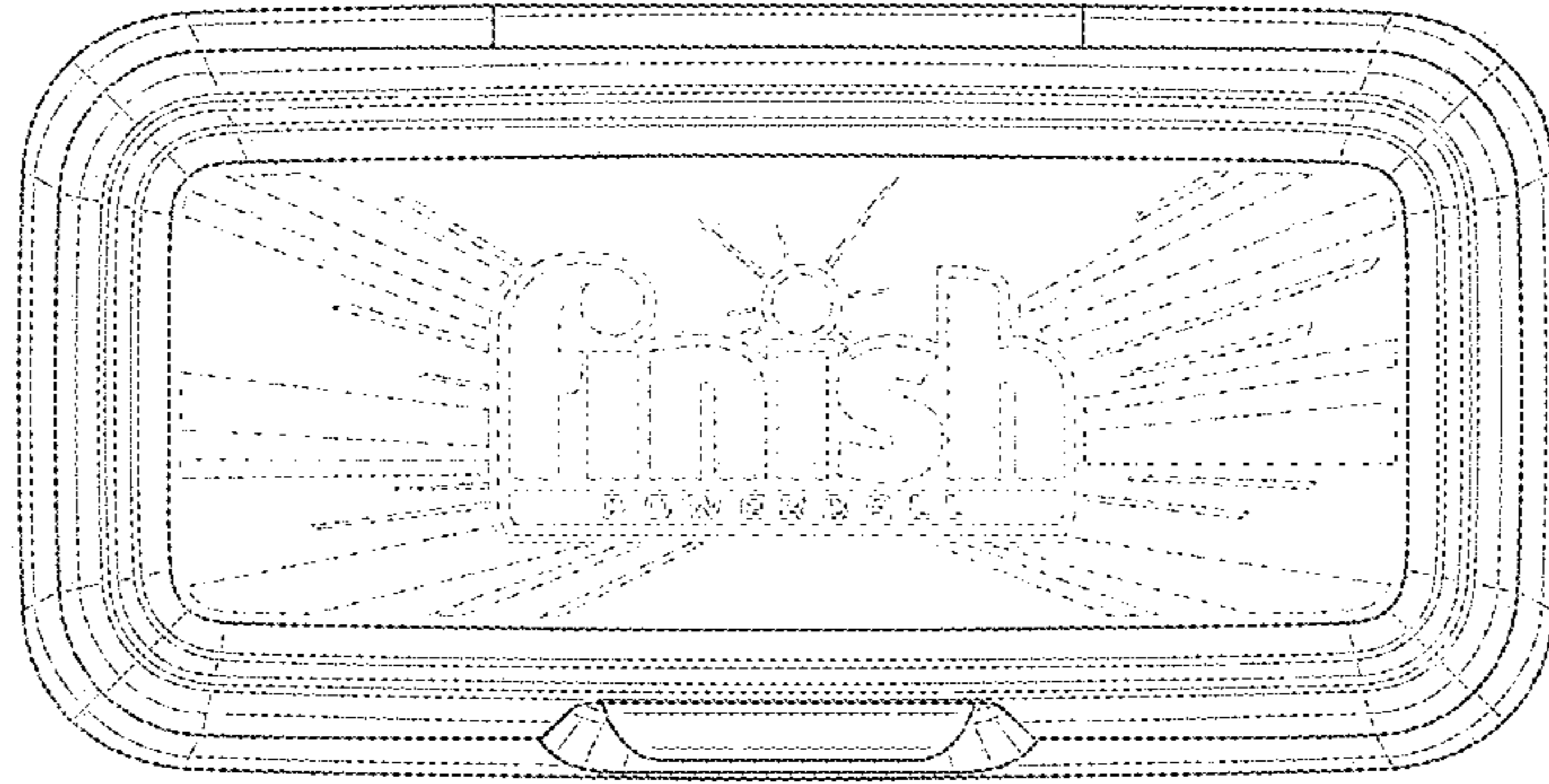


Fig. 6

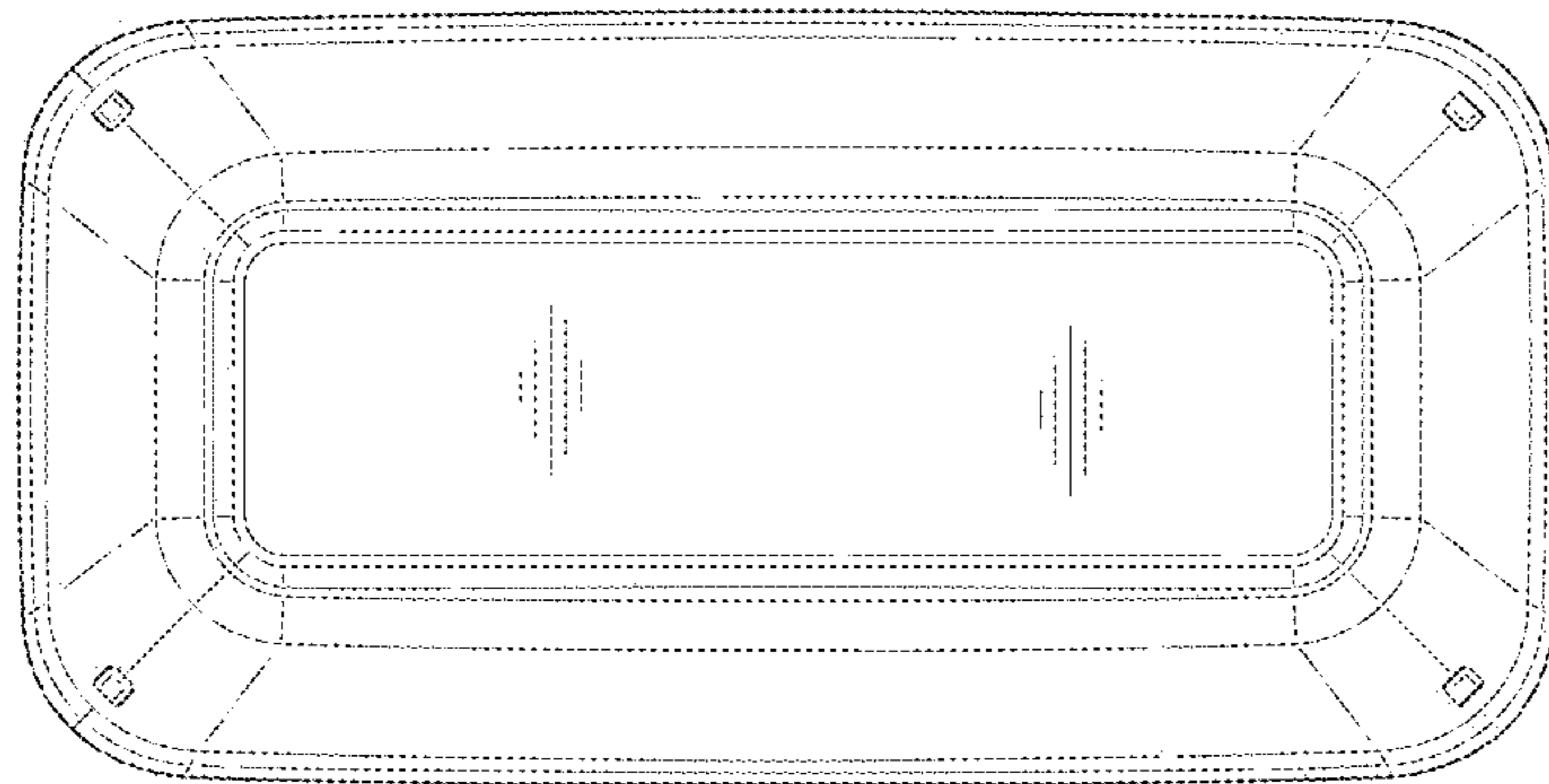


Fig. 7

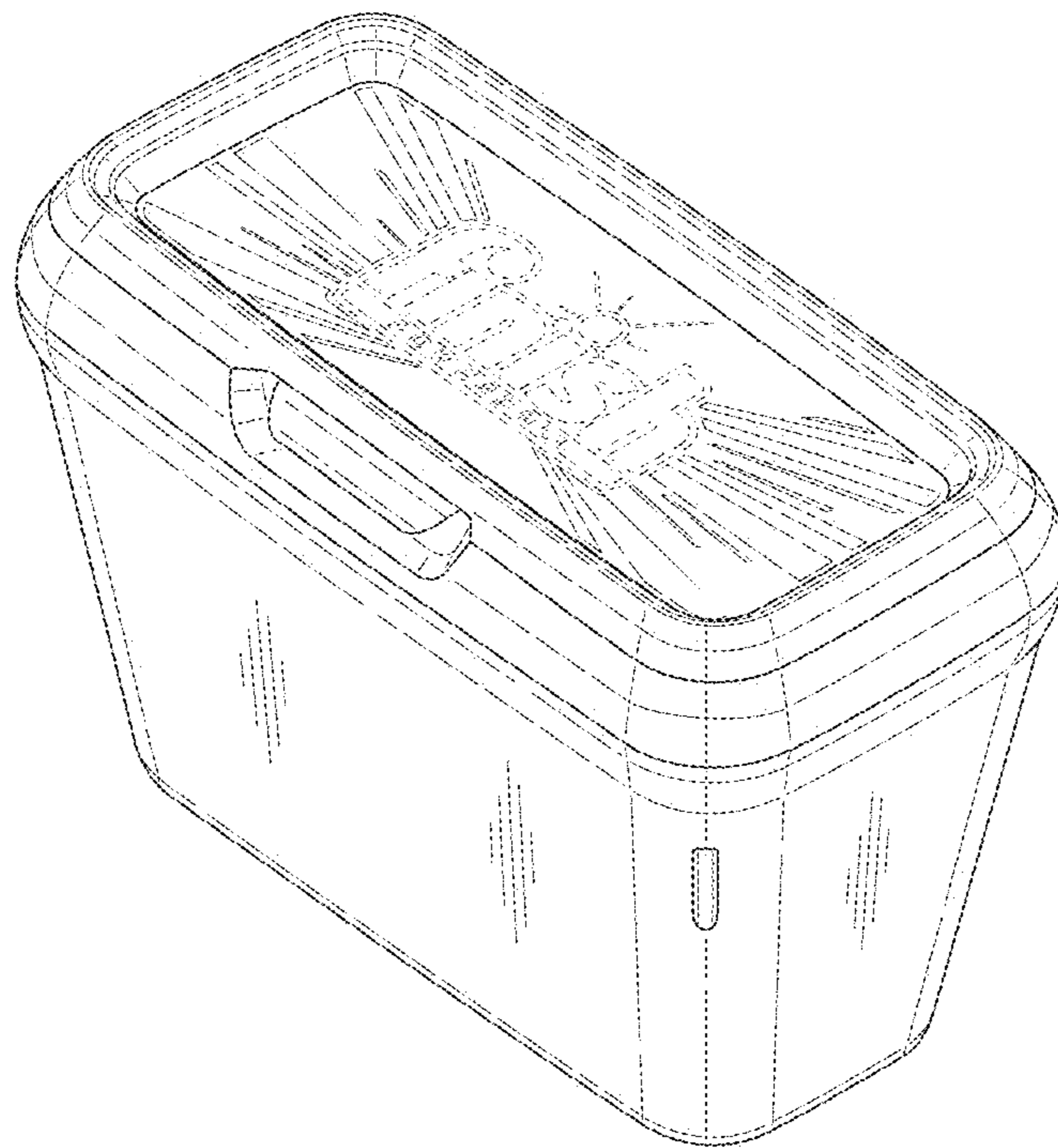


Fig. 8

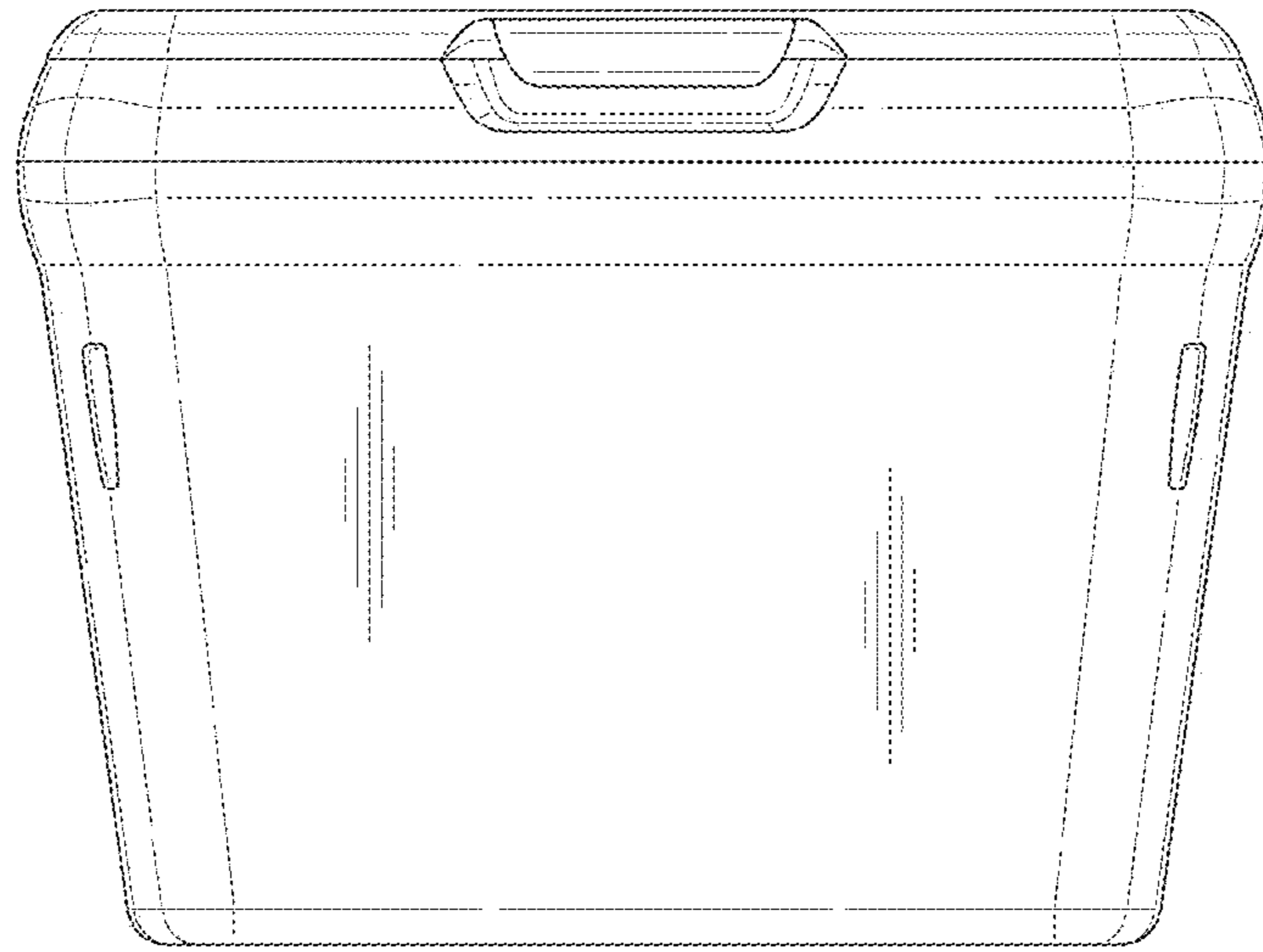


Fig. 9

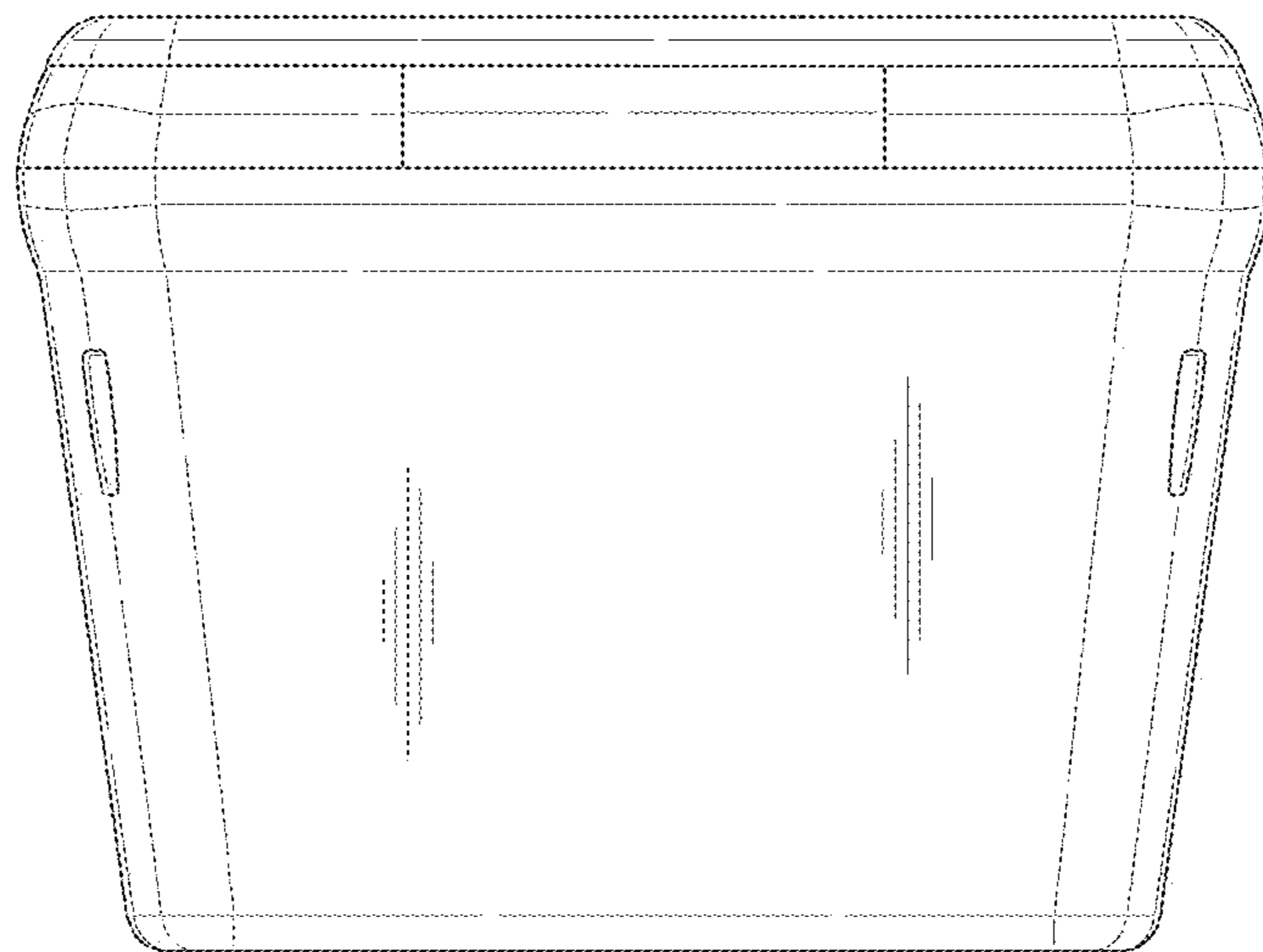


Fig. 10



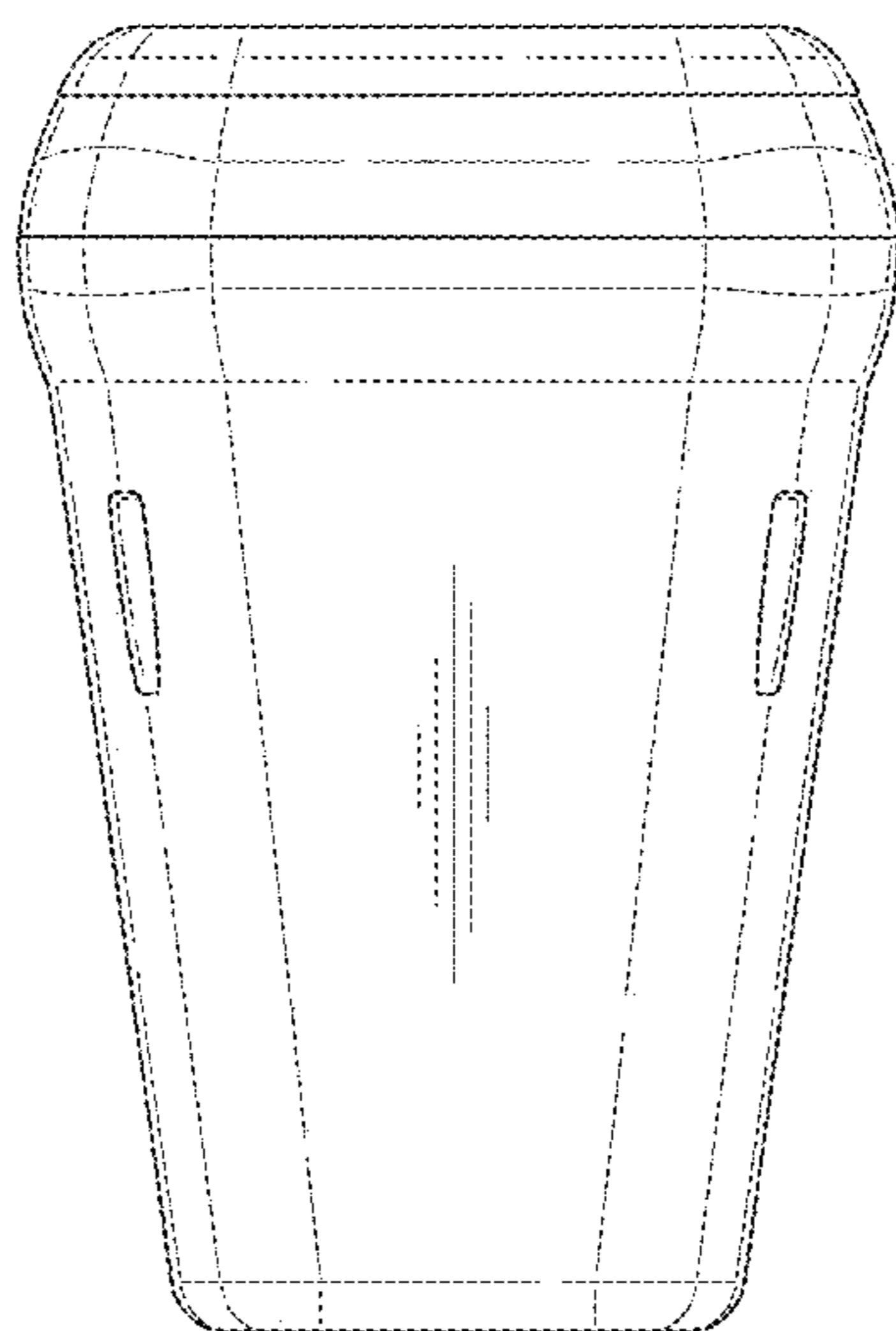


Fig. 11

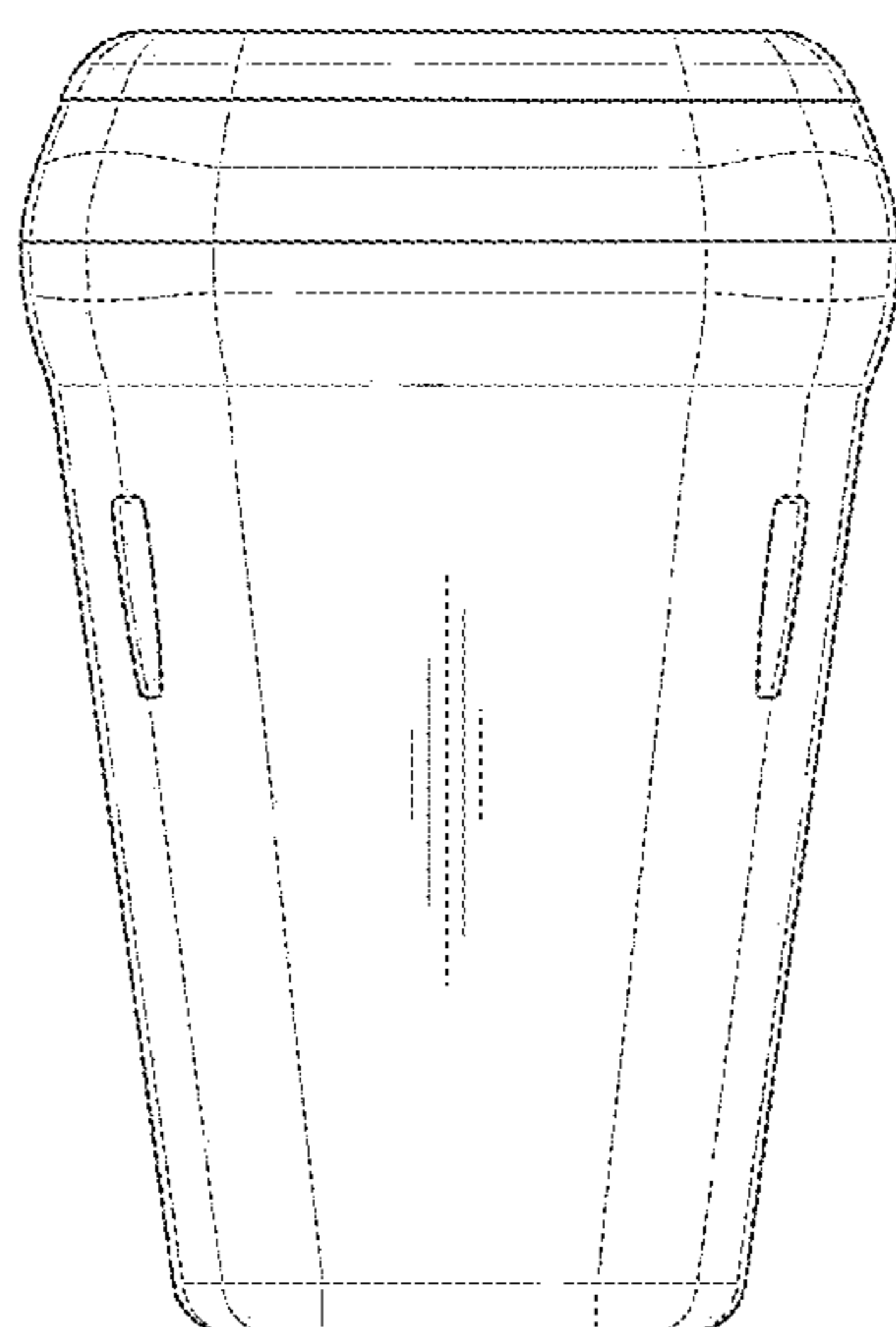


Fig. 12

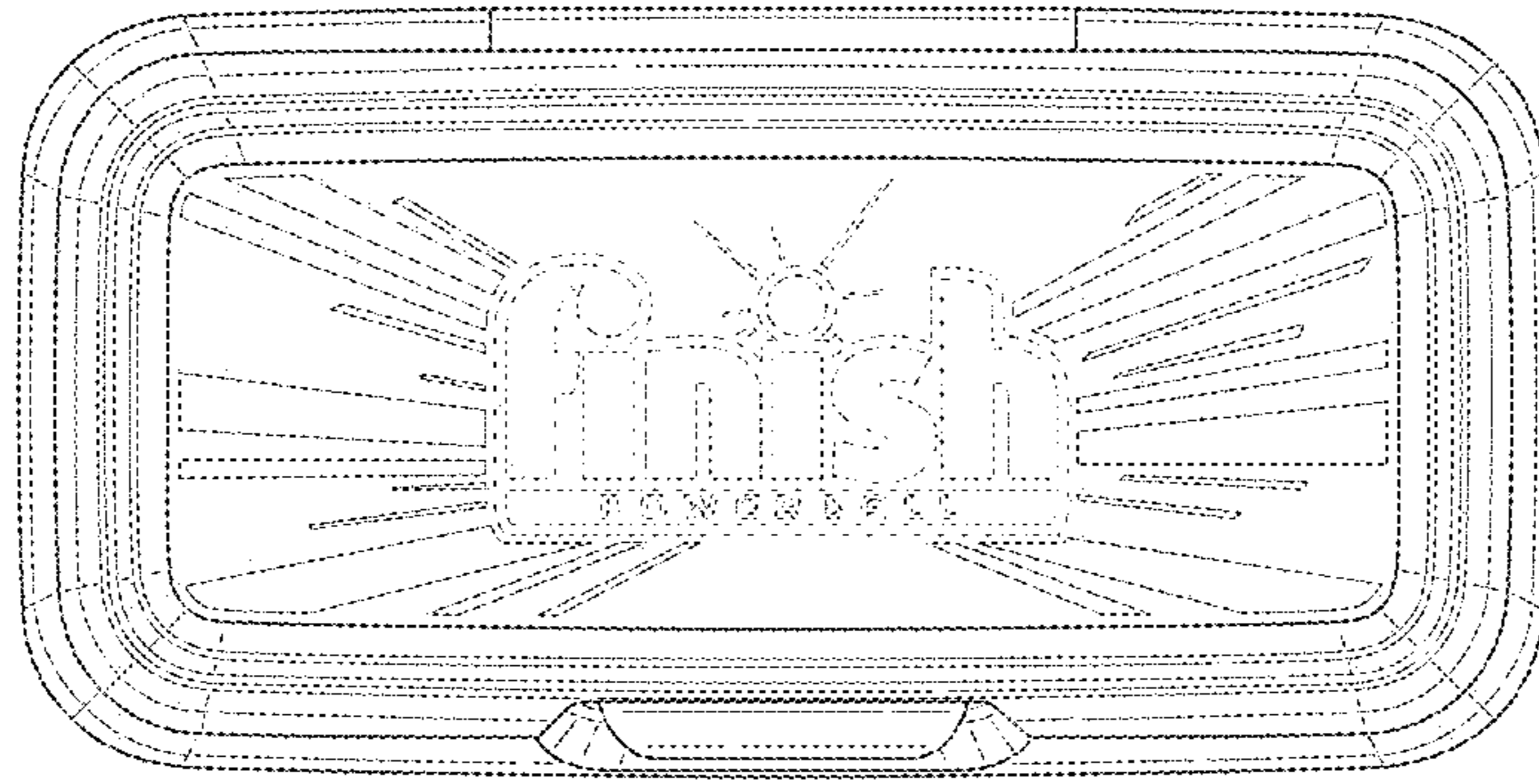


Fig. 13

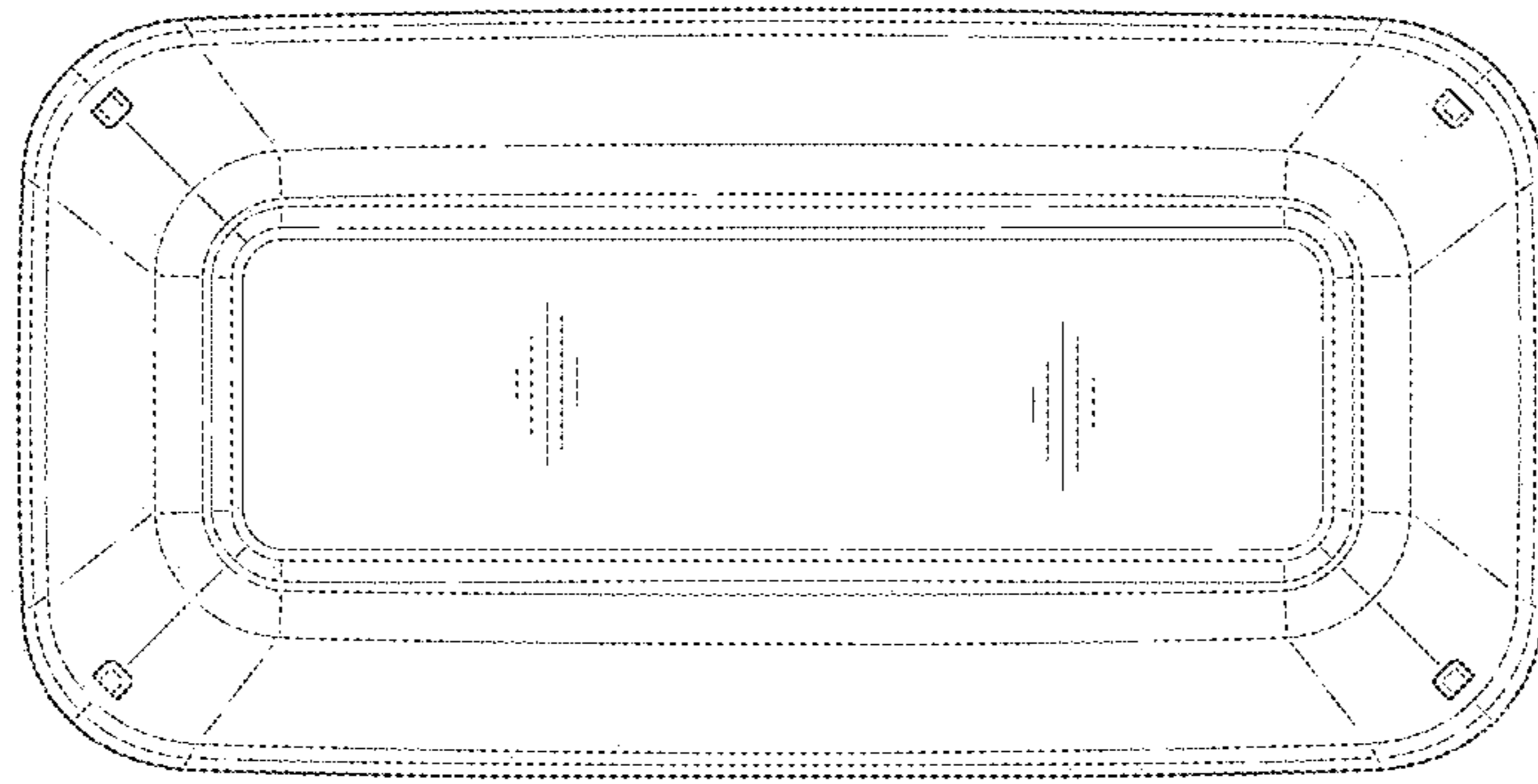


Fig. 14

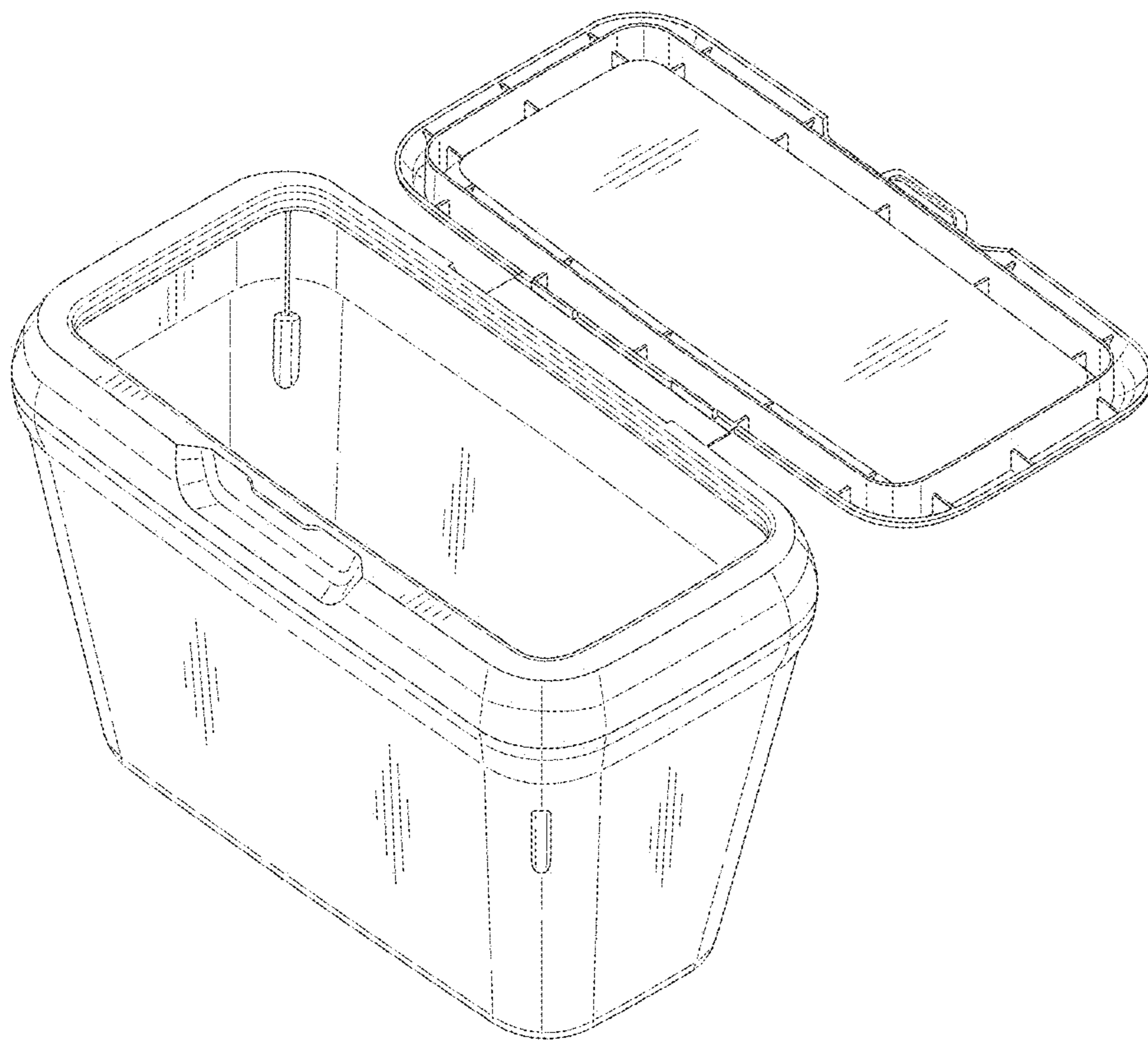


Fig. 15

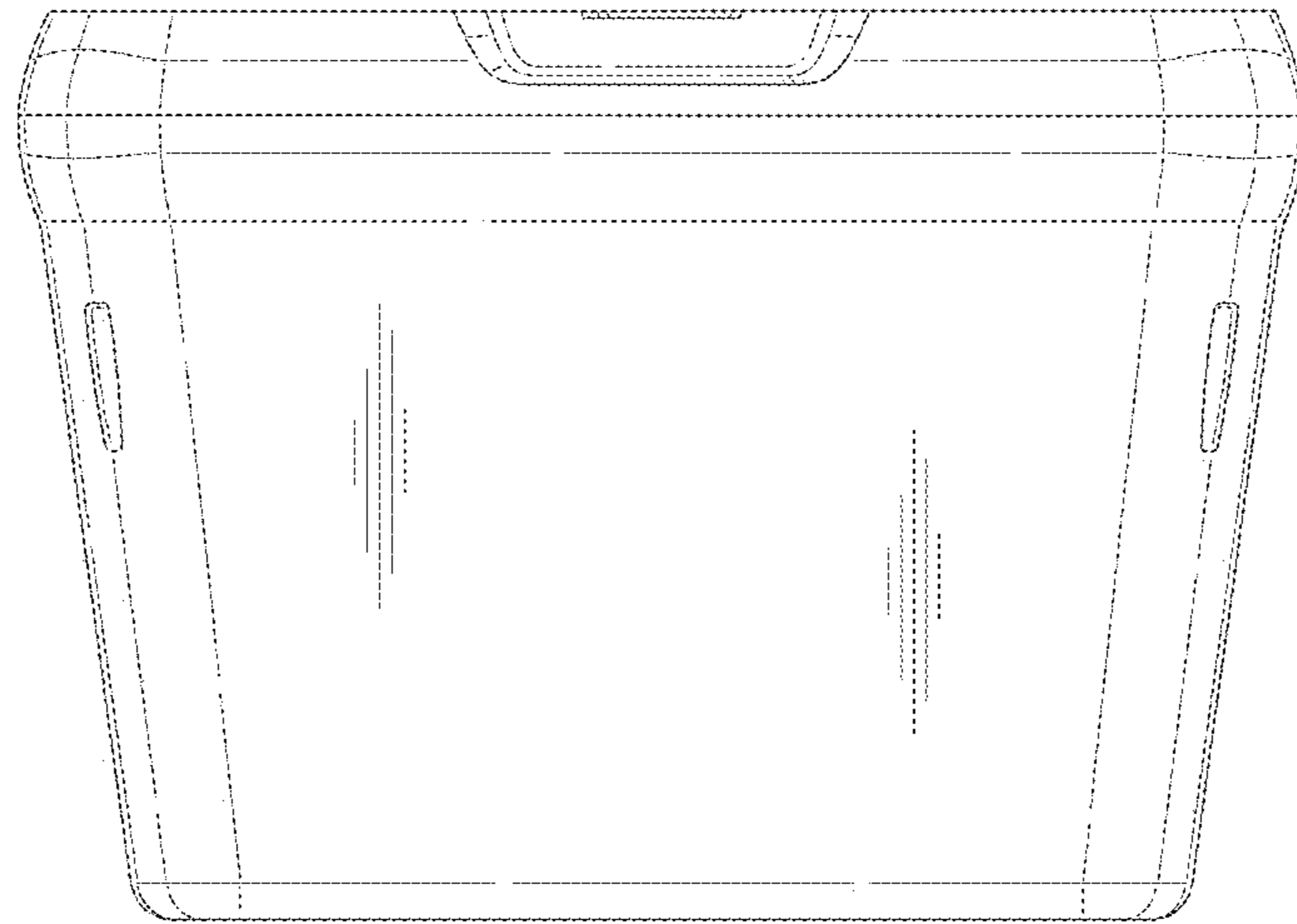


Fig. 16

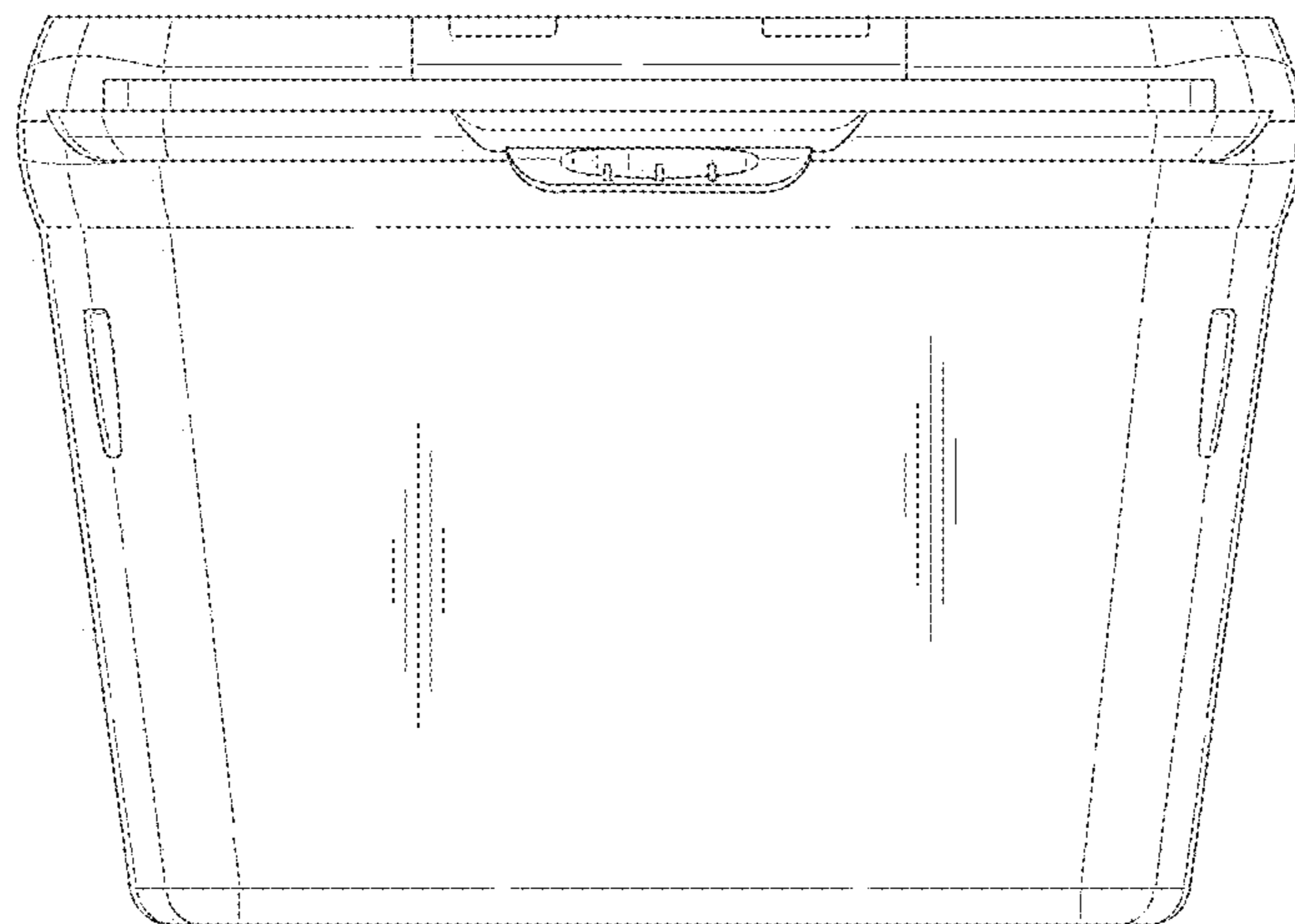


Fig. 17

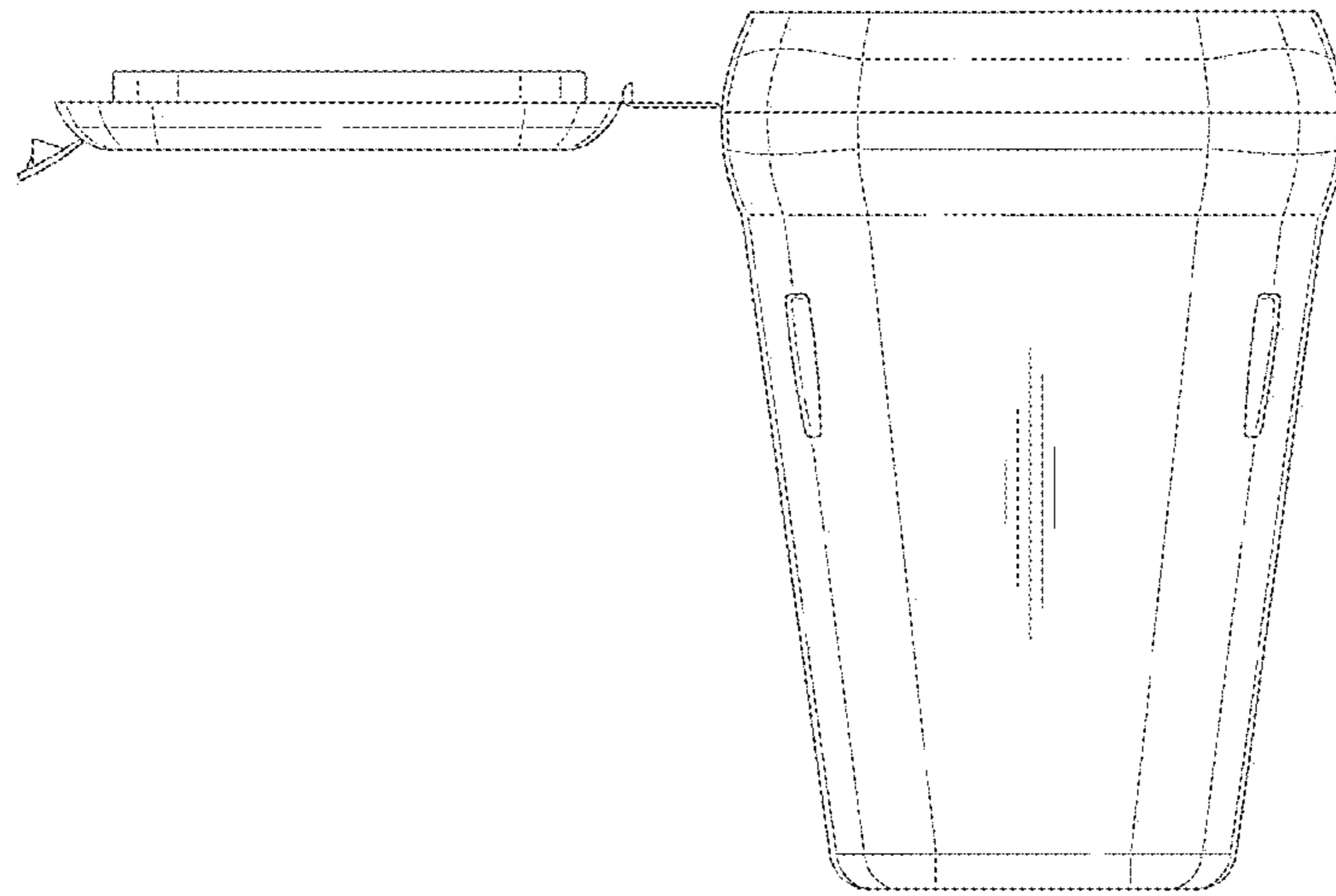


Fig. 18

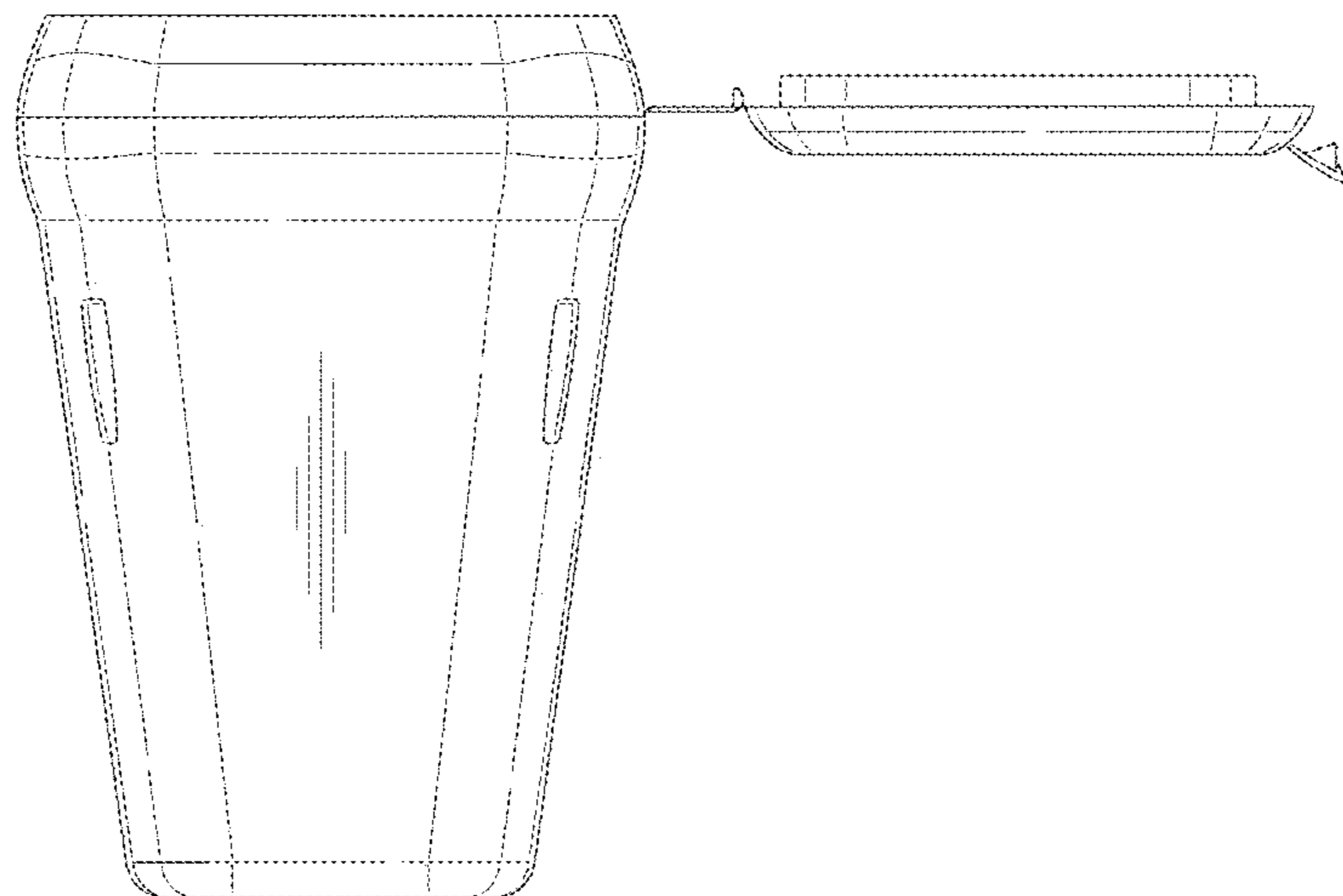


Fig. 19

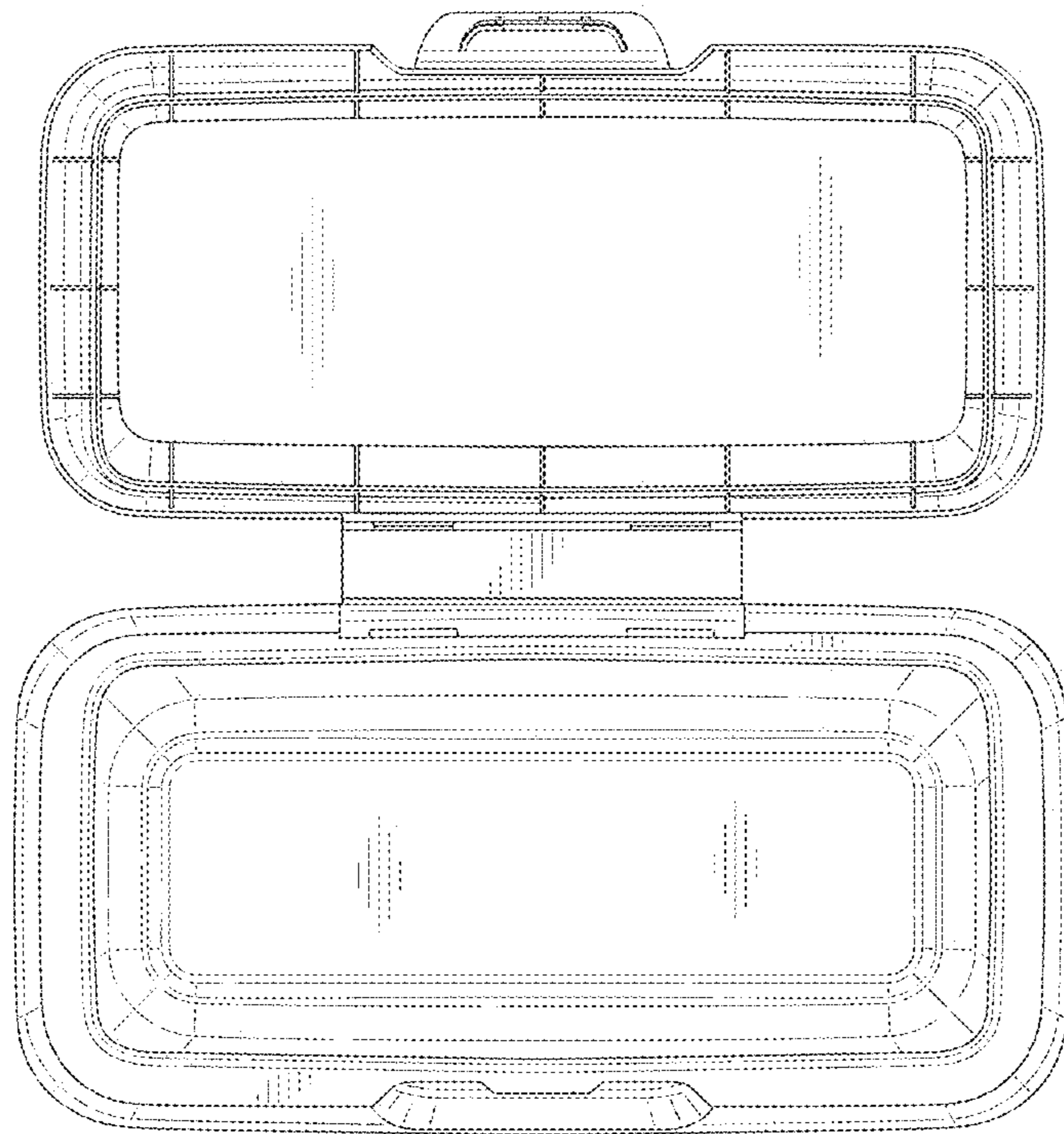


Fig. 20

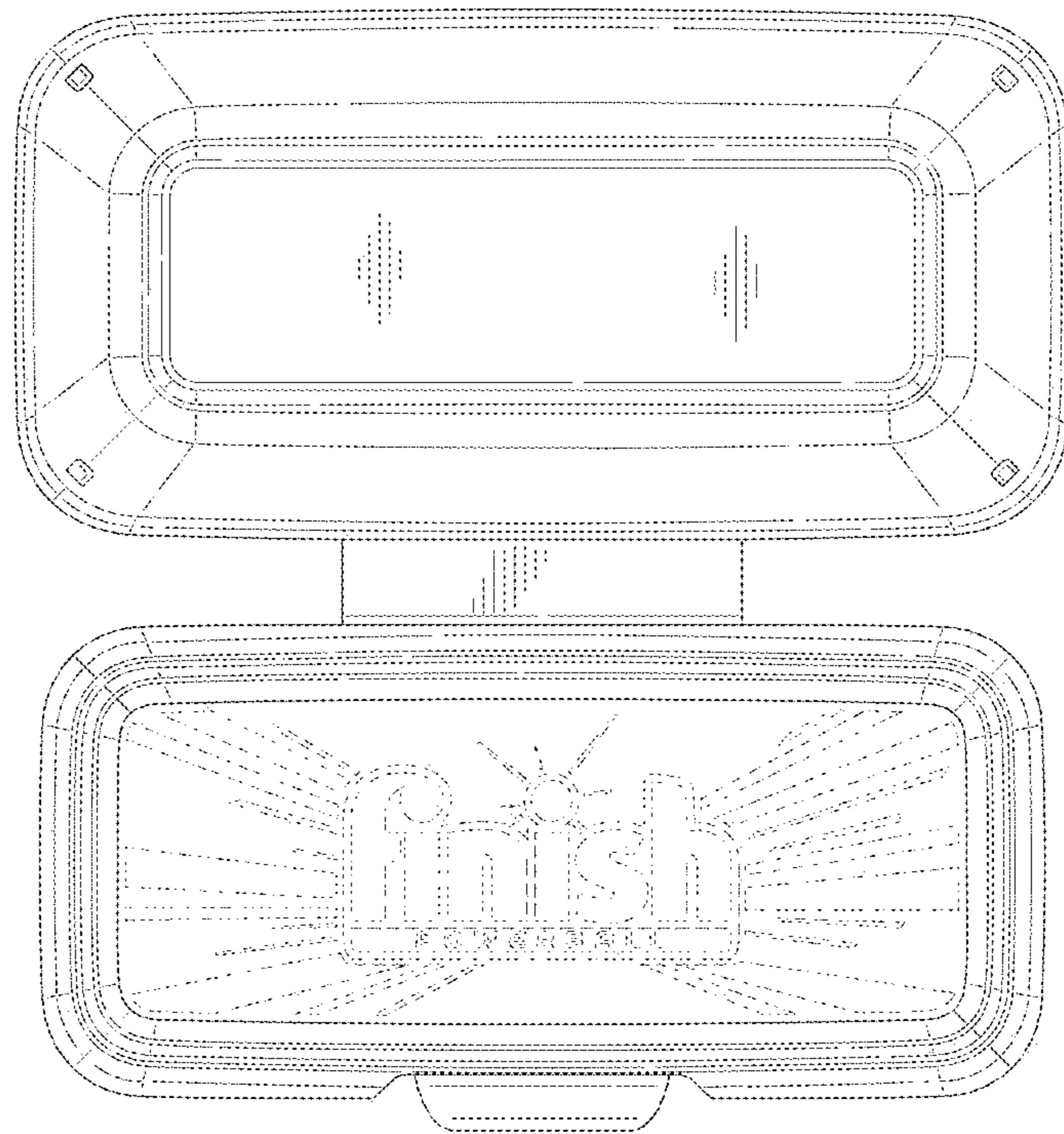


Fig. 21