



US00D876947S

(12) **United States Design Patent**
Choi

(10) **Patent No.:** **US D876,947 S**
(45) **Date of Patent:** **** Mar. 3, 2020**

- (54) **PACKAGING CONTAINER**
- (71) Applicant: **JC KOREA CORP.**, Gyeonggi-do (KR)
- (72) Inventor: **Kyoung Sik Choi**, Gyeonggi-do (KR)
- (73) Assignee: **JC KOREA CORP.**, Gyeonggi-Do (KR)
- (**) Term: **15 Years**
- (21) Appl. No.: **29/660,458**
- (22) Filed: **Aug. 21, 2018**

- (30) **Foreign Application Priority Data**
Jul. 27, 2018 (KR) 30-2018-0034863
- (51) **LOC (12) Cl.** **09-03**
- (52) **U.S. Cl.**
USPC **D9/415**; D9/418; D9/433
- (58) **Field of Classification Search**
USPC D9/414-434, 456-457, 499, 737,
D9/748-749, 756, 758-761; D28/61, 73,
D28/76
See application file for complete search history.

- (56) **References Cited**
U.S. PATENT DOCUMENTS
2,921,673 A * 1/1960 Ryan B65D 5/38
206/459.5
3,300,039 A * 1/1967 Pilger B65D 5/4204
206/772
4,140,139 A * 2/1979 Aylott B65D 5/4204
206/776
5,816,408 A * 10/1998 Indelicato B65D 75/32
206/581
5,896,996 A * 4/1999 Chuang B65D 5/4204
206/318
D419,062 S * 1/2000 Feldmeier D9/759

- D441,192 S * 5/2001 Park D9/415
- 6,230,964 B1 * 5/2001 Saito B65D 75/22
206/462
- D568,762 S * 5/2008 Keberlein D9/433
- 7,389,876 B2 * 6/2008 Hong B65D 77/003
206/581
- D711,734 S * 8/2014 Kim B65D 75/32
D9/415
- D758,191 S * 6/2016 Tu B65D 5/4204
D9/414
- D758,851 S * 6/2016 Binder A45D 31/00
D9/432
- D789,196 S * 6/2017 Waters B65D 5/38
D9/432

* cited by examiner

Primary Examiner — Sandra L Morris
(74) *Attorney, Agent, or Firm* — Duane Morris LLP; J. Rodman Steele, Jr.; Gregory M. Lefkowitz

(57) **CLAIM**
The ornamental design for a packaging container, as shown and described.

DESCRIPTION
FIG. 1 shows a perspective view of the present design. FIG. 2 shows a front view of the present design. The bilateral symmetry of FIG. 2 shows a rear view of the present design. FIG. 3 shows a left side view of the present design. FIG. 4 shows a right side view of the present design. FIG. 5 shows a plan view of the present design. FIG. 6 shows a bottom view of the present design. FIG. 7 is a perspective view of a second embodiment of the assembled package; and, FIG. 8 is a perspective view of the assembled package. The dashed lines represent fold lines. The broken lines in FIGS. 7-8 are included for the purpose of illustrating a portion of the package that forms no part of the claimed design.

1 Claim, 6 Drawing Sheets

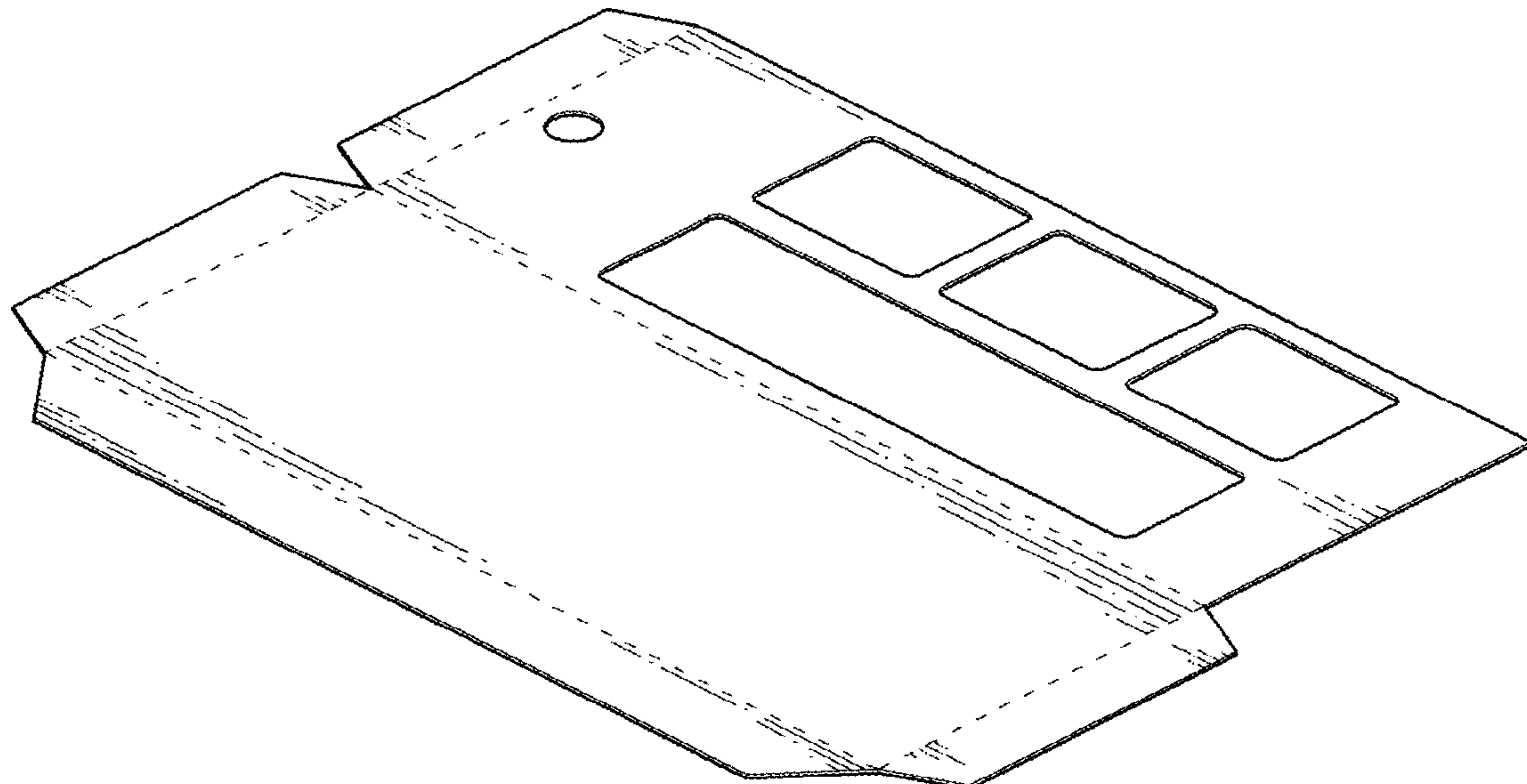


Fig. 1

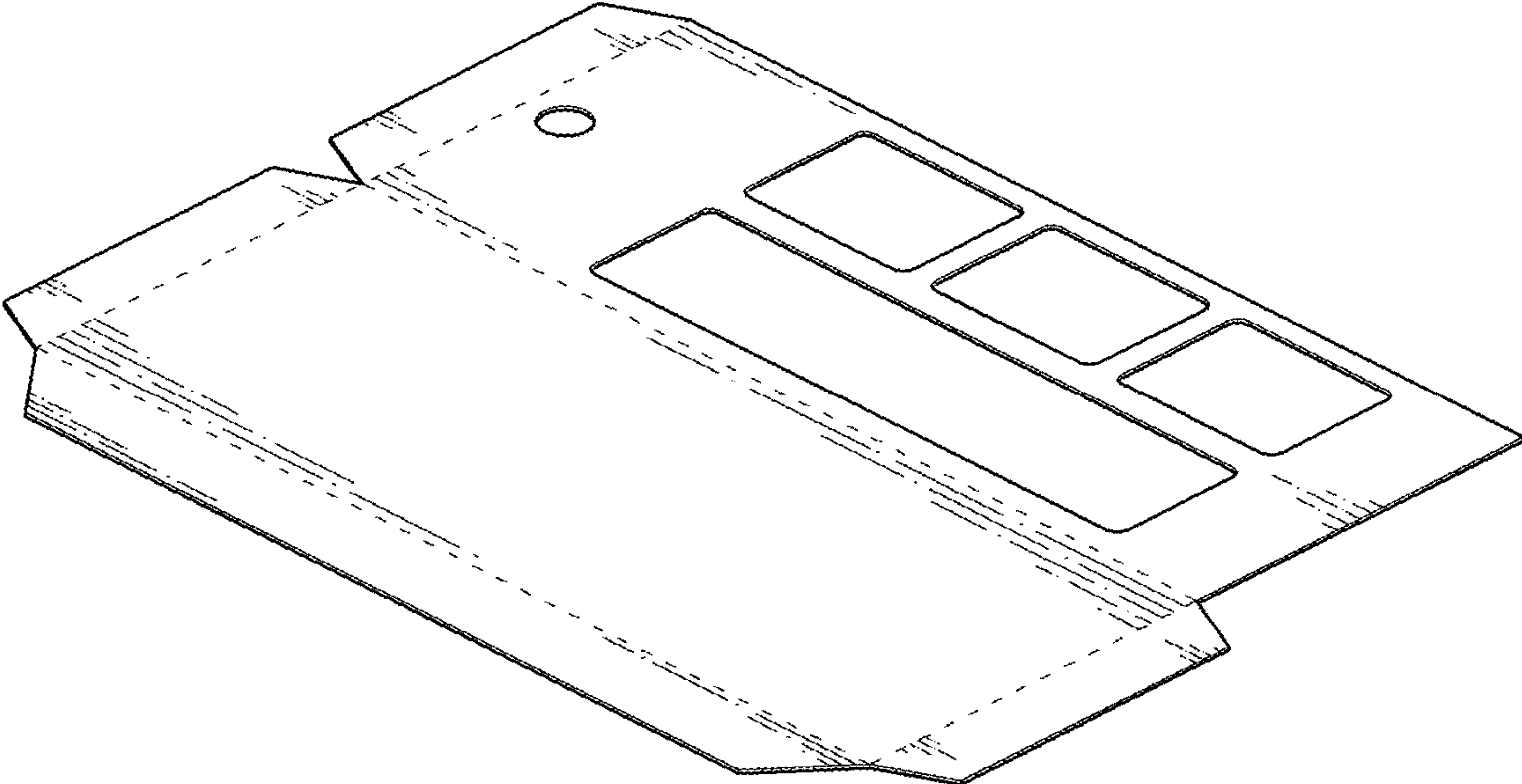


Fig. 2

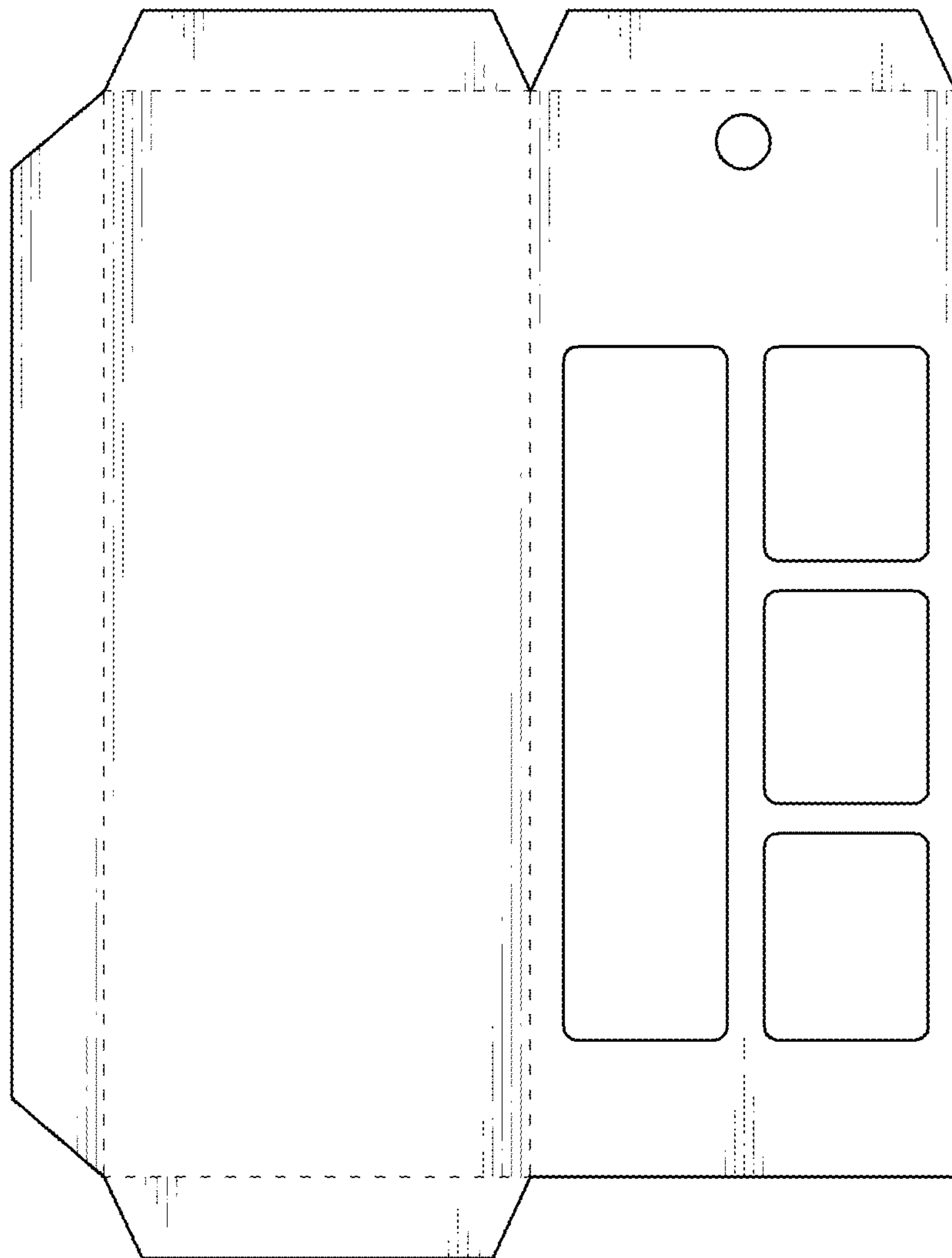


Fig. 3



Fig. 4

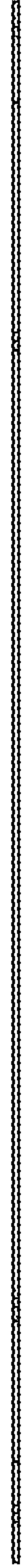


Fig. 5



Fig. 6

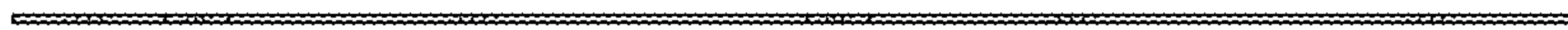


Fig. 7

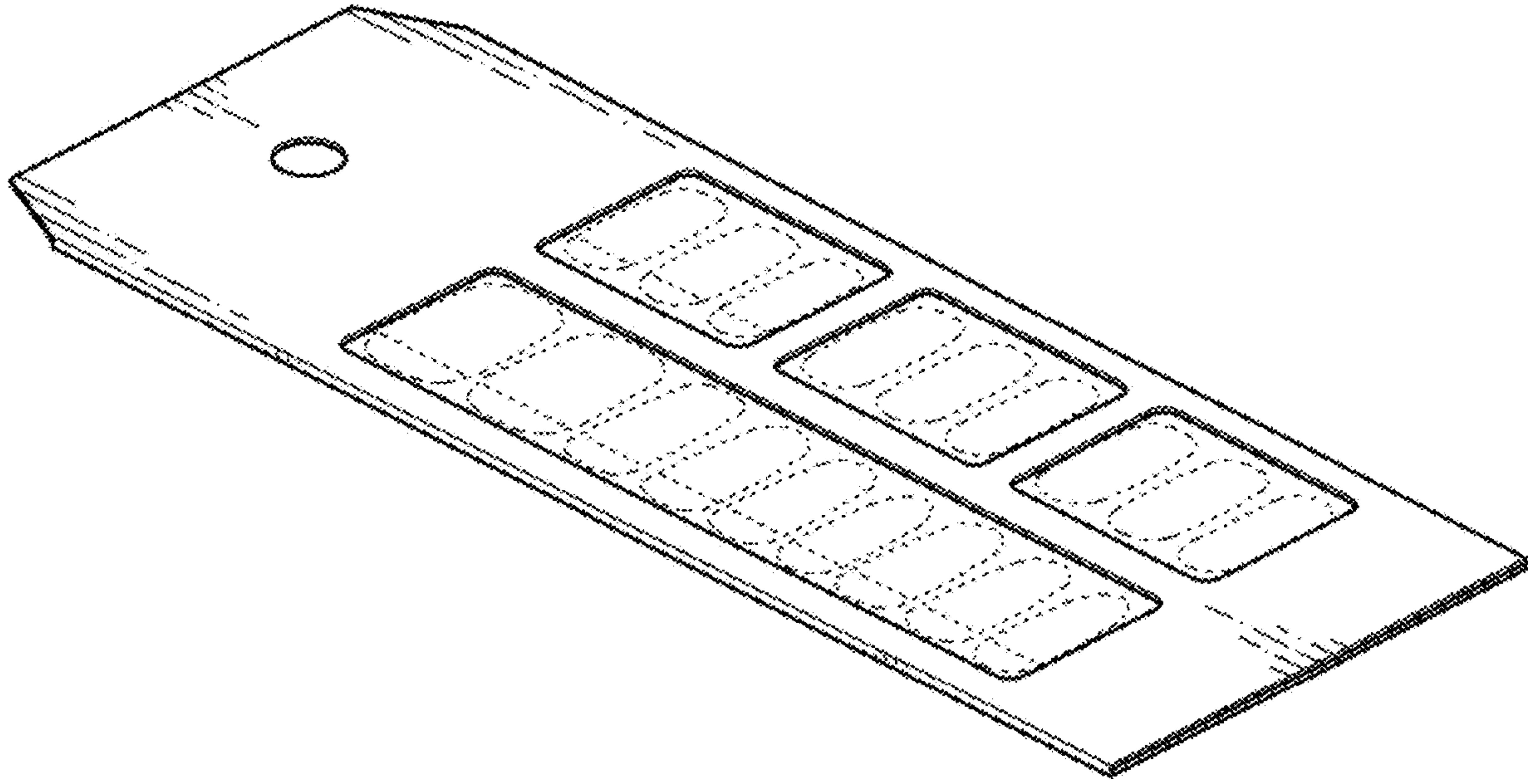


Fig. 8

