



US00D876946S

(12) **United States Design Patent**
Elman

(10) **Patent No.:** **US D876,946 S**
(45) **Date of Patent:** **** Mar. 3, 2020**

(54) **FOLD-UP CONTAINER/DISPENSER WITH A FLOOR AND A DISPERSION PLATFORM**

(71) Applicant: **Noel Elman**, Brookline, MA (US)

(72) Inventor: **Noel Elman**, Brookline, MA (US)

(**) Term: **15 Years**

(21) Appl. No.: **29/704,190**

(22) Filed: **Sep. 3, 2019**

Related U.S. Application Data

(60) Division of application No. 29/654,236, filed on Jun. 21, 2018, which is a continuation-in-part of (Continued)

(51) **LOC (12) Cl.** **09-03**

(52) **U.S. Cl.**
USPC **D9/414; D9/430; D9/433**

(58) **Field of Classification Search**
USPC D9/414-423, 424-429, 430-433, 434, D9/456, 457, 711, 713, 721-722, 737; D3/272-274, 290, 304, 305, 315 (Continued)

(56) **References Cited**

U.S. PATENT DOCUMENTS

- 880,952 A * 3/1908 Yarnall B65D 3/22
229/4.5
- 2,016,863 A * 10/1935 La Grua B65D 5/12
229/5.5
- 3,929,271 A * 12/1975 Meyers B65D 3/22
229/4.5
- D416,796 S * 11/1999 Smith D7/629
- 6,170,740 B1 * 1/2001 Clark B65D 5/0209
229/104

(Continued)

OTHER PUBLICATIONS

KJ's Kraft Cardboard Powder Shakers. [online] Retrieved Sep. 30, 2019 from URL: https://www.amazon.com/KJs-Kraft-Cardboard-Powder-Shakers/dp/B07RLS5R84/ref=sr_1_45?keywords=KJ%27s+Krafts&qid=1569851745&s=gateway&sr=8-45.*

Primary Examiner — Vy N Koenig
(74) *Attorney, Agent, or Firm* — QuickPatents, LLC; Kevin Prince

(57) **CLAIM**

I claim the ornamental design for a fold-up container/dispenser with a floor and a dispersion platform, as shown and described.

DESCRIPTION

FIG. 1 is a top perspective view of a fold-up container with a floor and a dispersion screen, showing a first embodiment of my new design in an assembled configuration with a lid in a closed configuration;

FIG. 2 is a top perspective view thereof, illustrated with the lid in an open configuration;

FIG. 3 is a top perspective view thereof, illustrated with the lid in an open configuration and the dispersion screen folded away from the container;

FIG. 4 is a front elevational view of FIG. 1;

FIG. 5 is a rear elevational view of FIG. 1;

FIG. 6 is a left-side elevational view of FIG. 1;

FIG. 7 is a right-side elevational view of FIG. 1;

FIG. 8 is a top plan view of FIG. 1;

FIG. 9 is a bottom plan view of FIG. 1;

FIG. 10 is a top plan view thereof, illustrated in a flat configuration;

FIG. 11 is a top perspective view of a second embodiment thereof in the assembled configuration with the lid in the closed configuration;

FIG. 12 is a top perspective view thereof, illustrated with the lid in the open configuration;

FIG. 13 is a top perspective view thereof, illustrated with the lid in the open configuration and the dispersion screen folded away from the container;

FIG. 14 is a front elevational view of FIG. 11;

FIG. 15 is a rear elevational view of FIG. 11;

FIG. 16 is a left-side elevational view of FIG. 11;

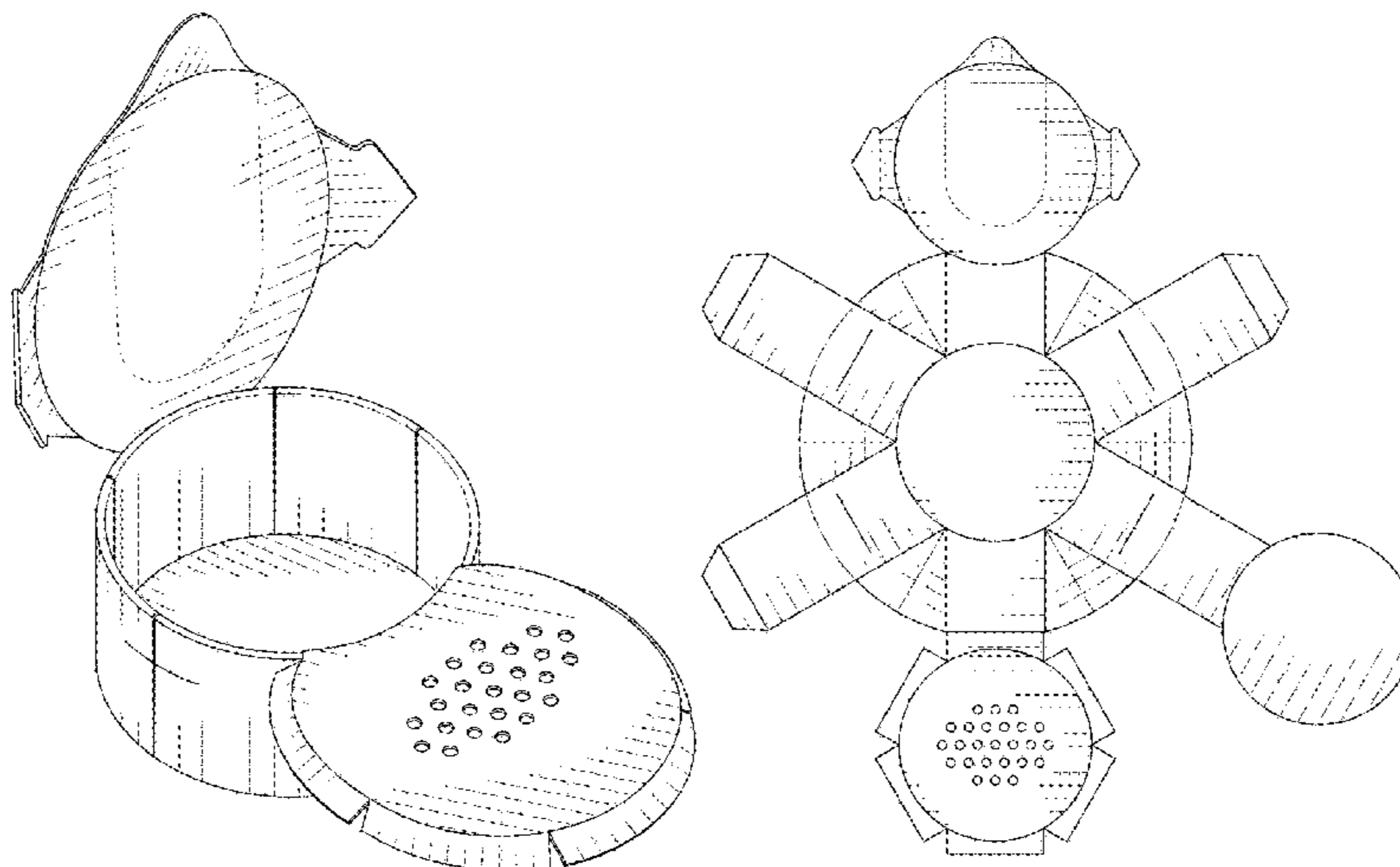
FIG. 17 is a right-side elevational view of FIG. 11;

FIG. 18 is a top plan view of FIG. 11;

FIG. 19 is a bottom plan view of FIG. 11; and,

FIG. 20 is a top plan view thereof, illustrated in the flat configuration.

(Continued)



The broken lines in the figures depict portions of the fold-up container that form no part of the claimed design.

1 Claim, 15 Drawing Sheets

Related U.S. Application Data

application No. 29/633,676, filed on Jan. 15, 2018,
now Pat. No. Des. 857,495.

(58) **Field of Classification Search**

CPC ... B65D 5/00; B65D 5/02; B65D 5/18; B65D
5/20

See application file for complete search history.

(56) **References Cited**

U.S. PATENT DOCUMENTS

D535,556	S *	1/2007	Broderick	D9/416
D537,343	S *	2/2007	Cassettari	D9/455
D548,598	S *	8/2007	Fillingham	D9/430
7,866,536	B2 *	1/2011	Calendrille, Jr.	B65D 3/12 206/407
D645,339	S *	9/2011	Oakes	D9/420
D717,163	S *	11/2014	Paulsen	D9/431
9,090,371	B2 *	7/2015	Hallam	B65D 5/0209
10,287,082	B2 *	5/2019	Sharman	B65D 3/20
D857,495	S *	8/2019	Elman	D9/430
D860,779	S *	9/2019	Sutton	D9/420

* cited by examiner

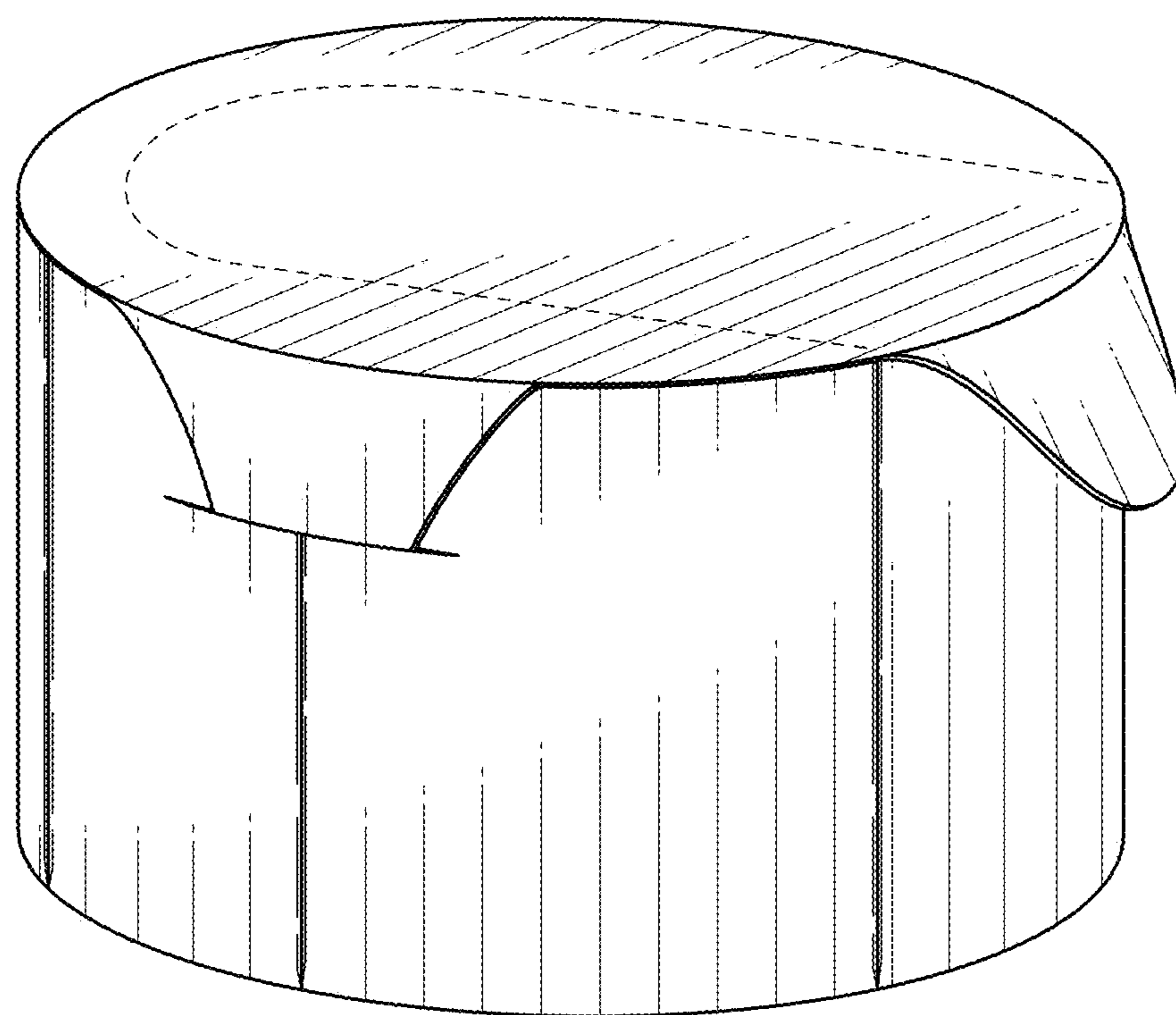


FIG. 1

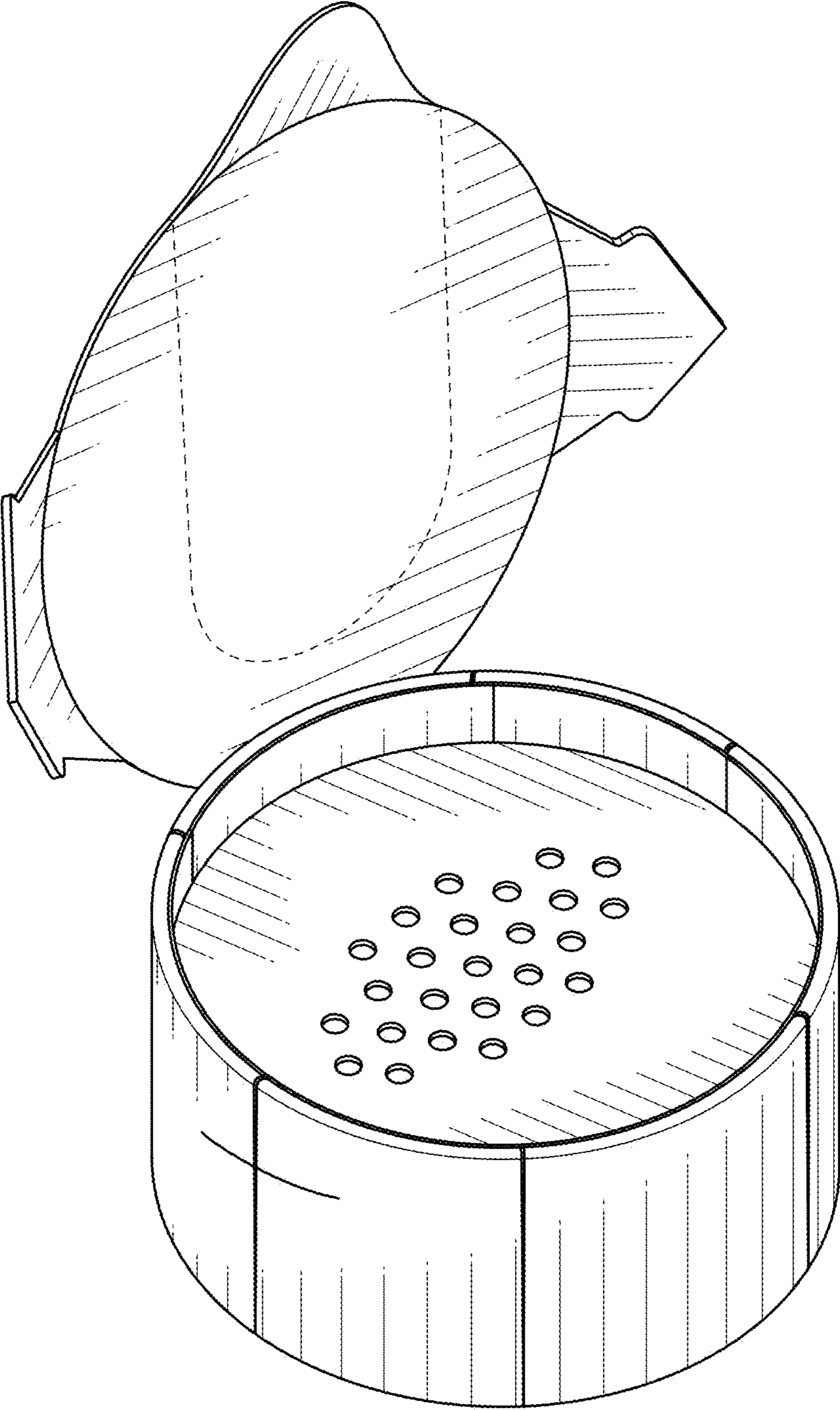


FIG. 2

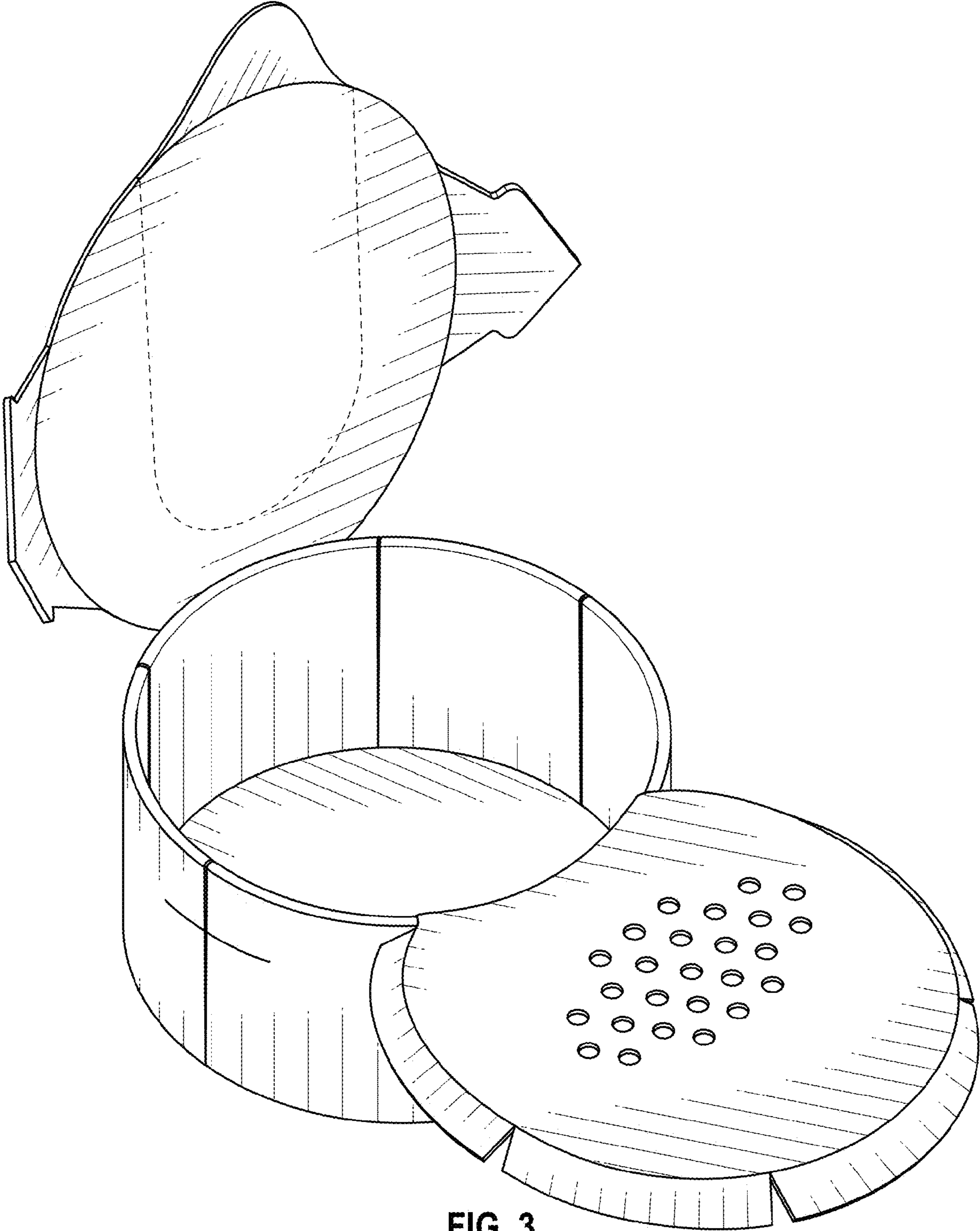


FIG. 3

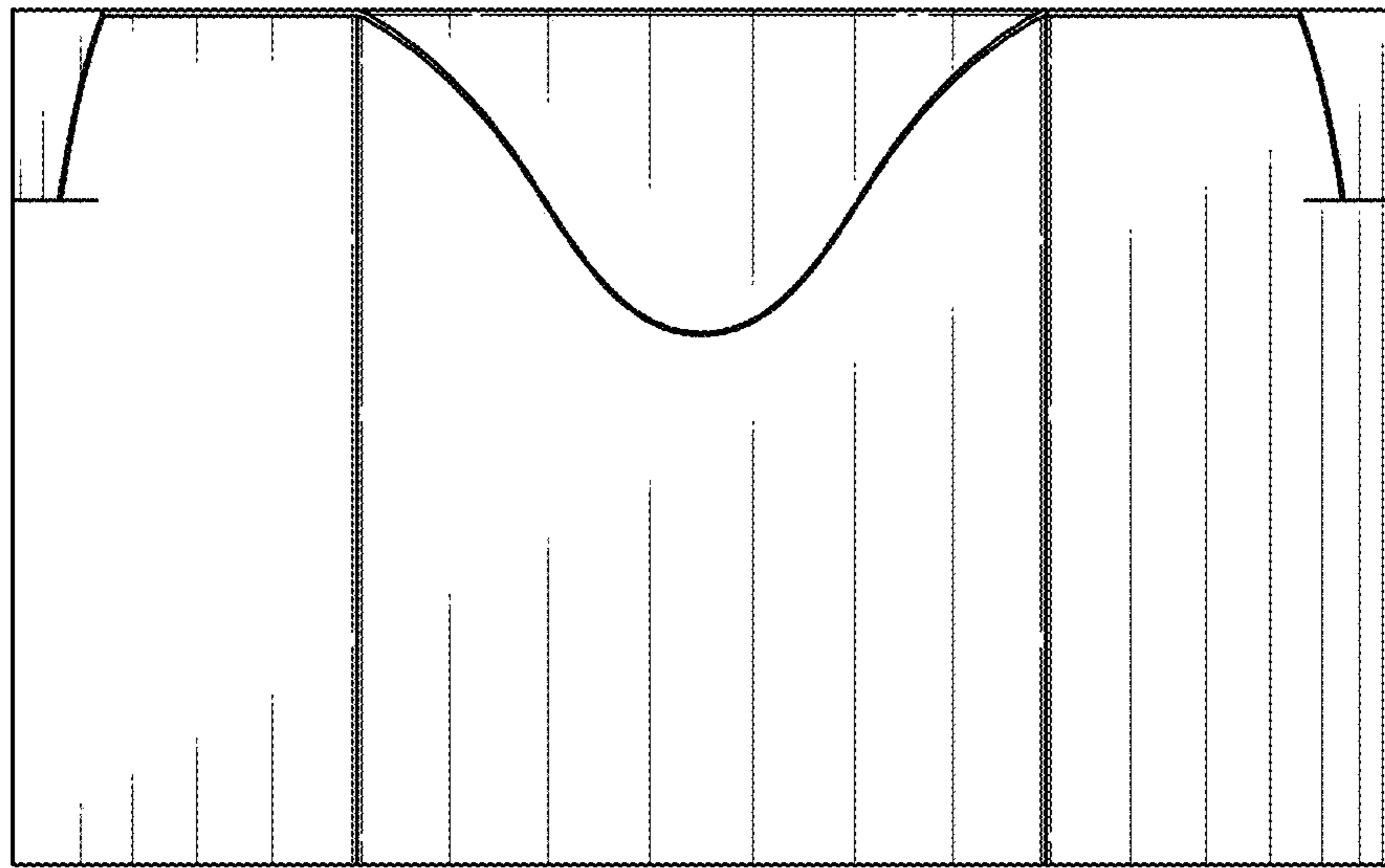


FIG. 4

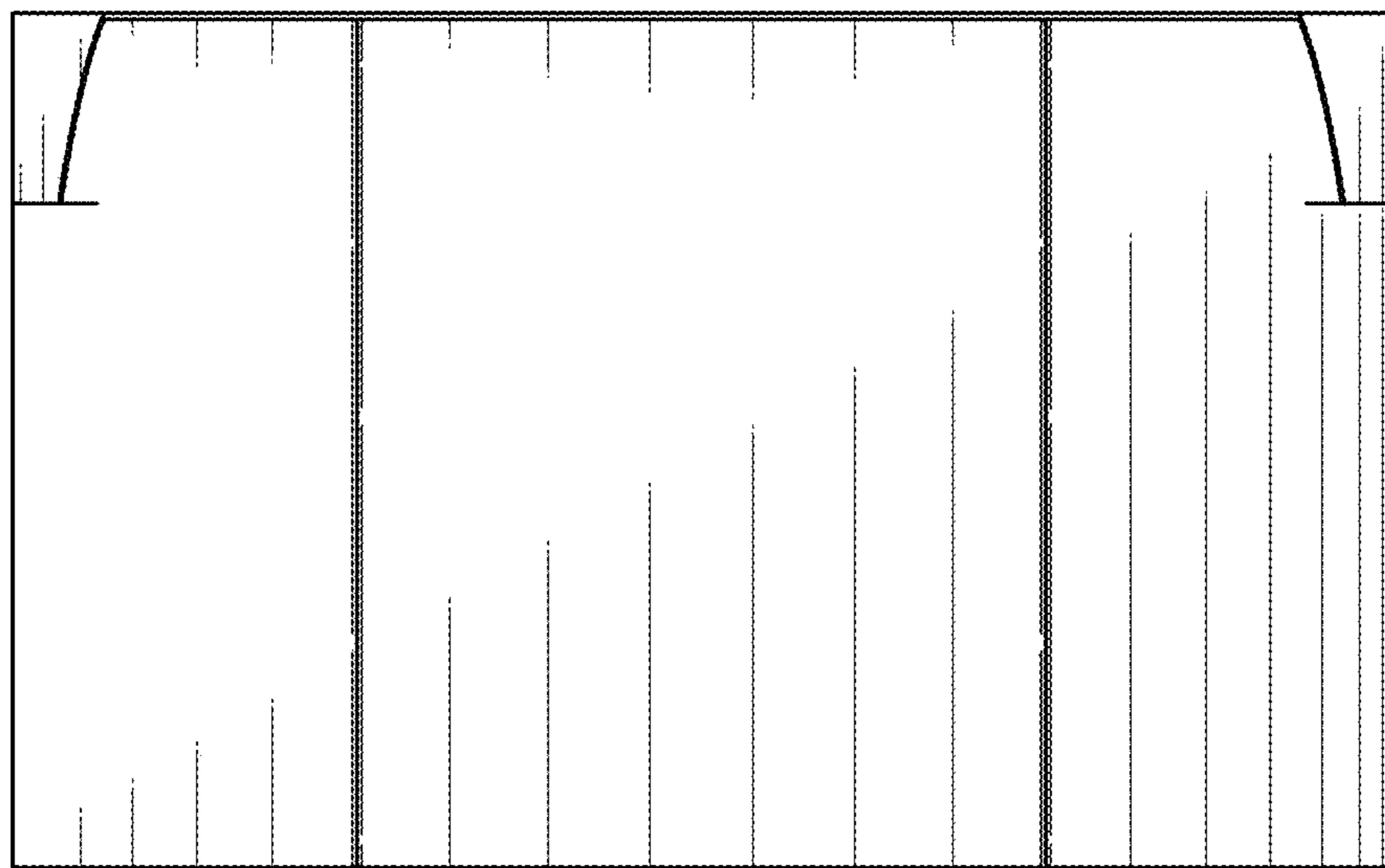


FIG. 5

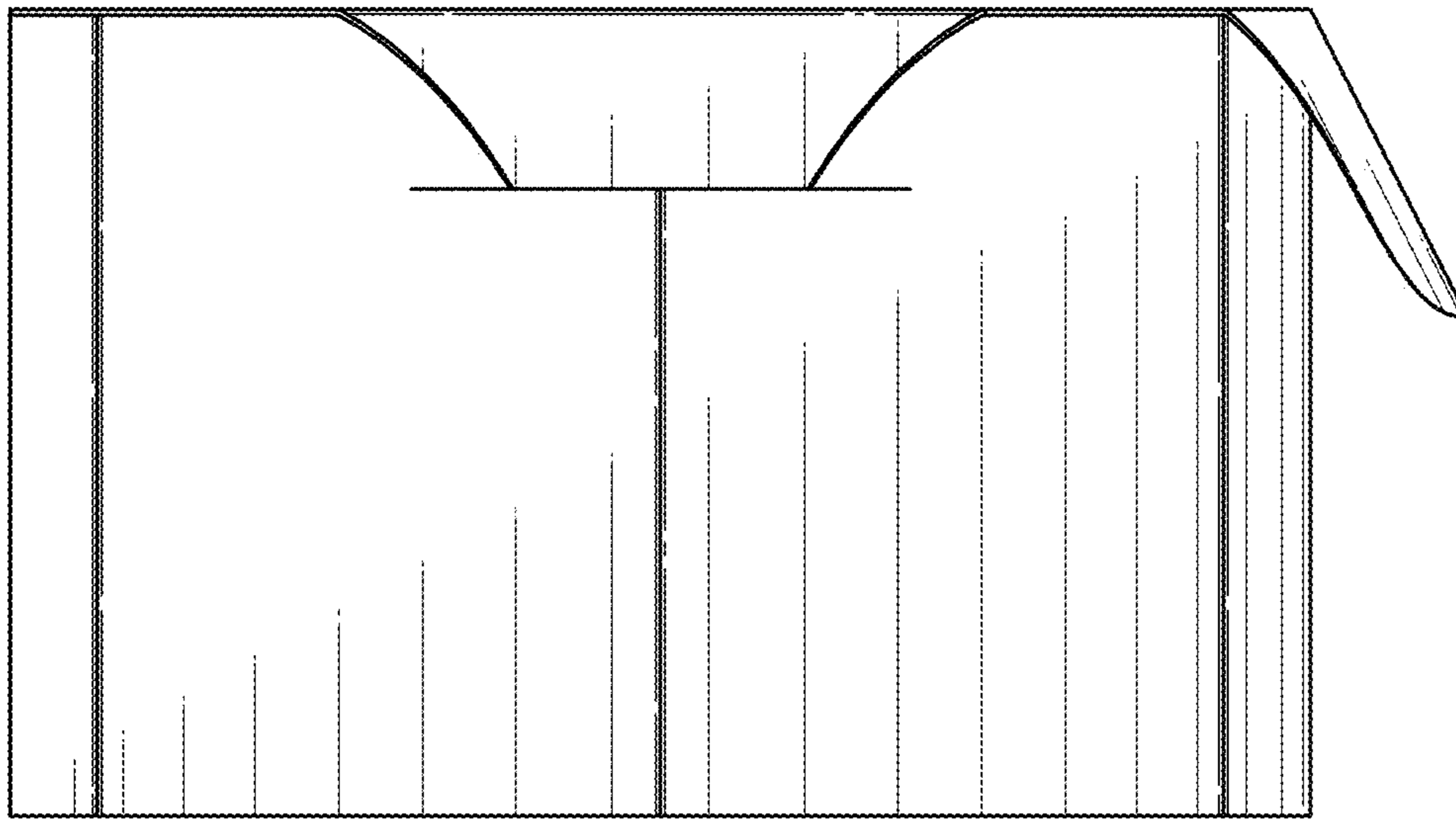


FIG. 6

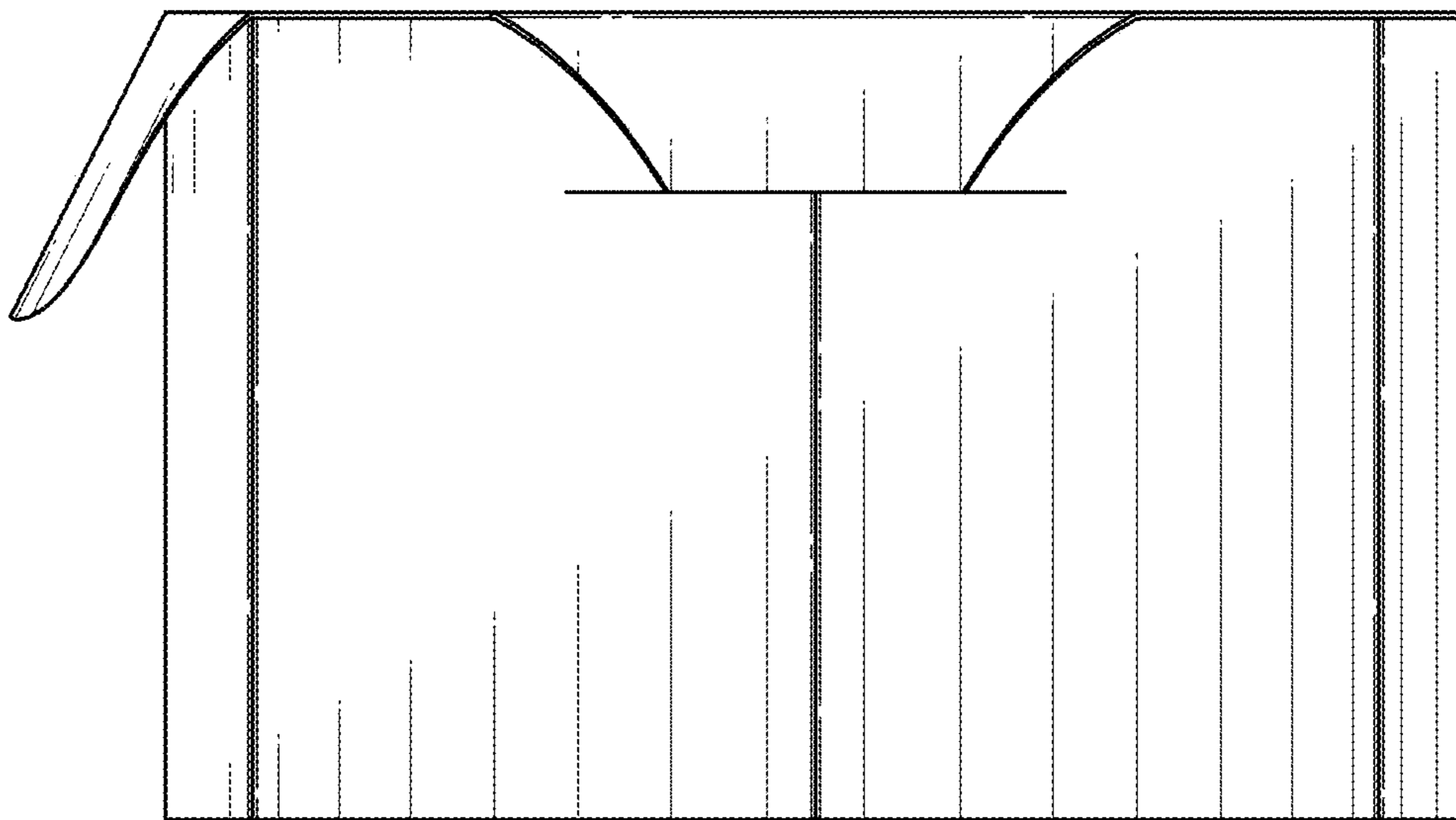


FIG. 7

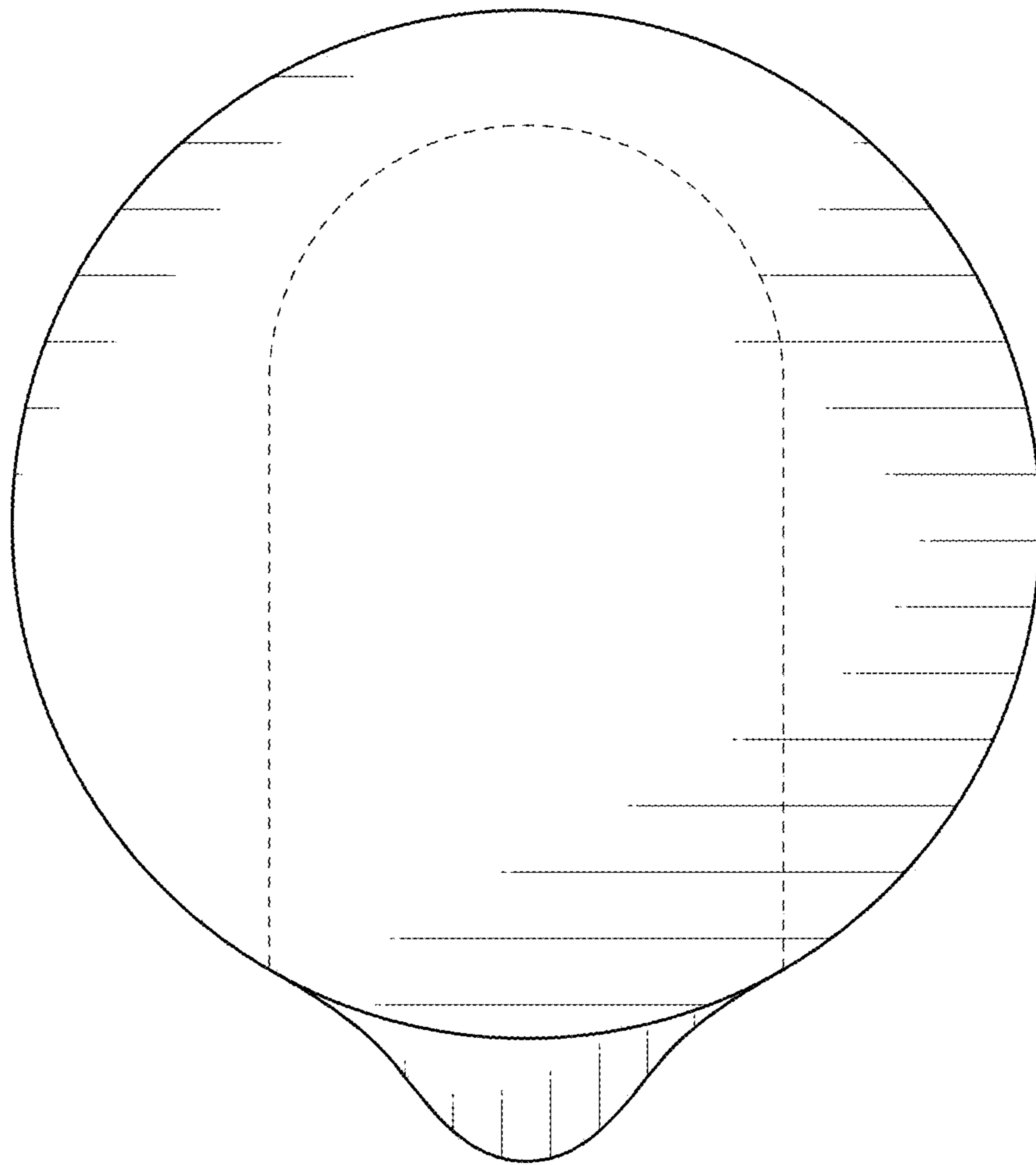


FIG. 8

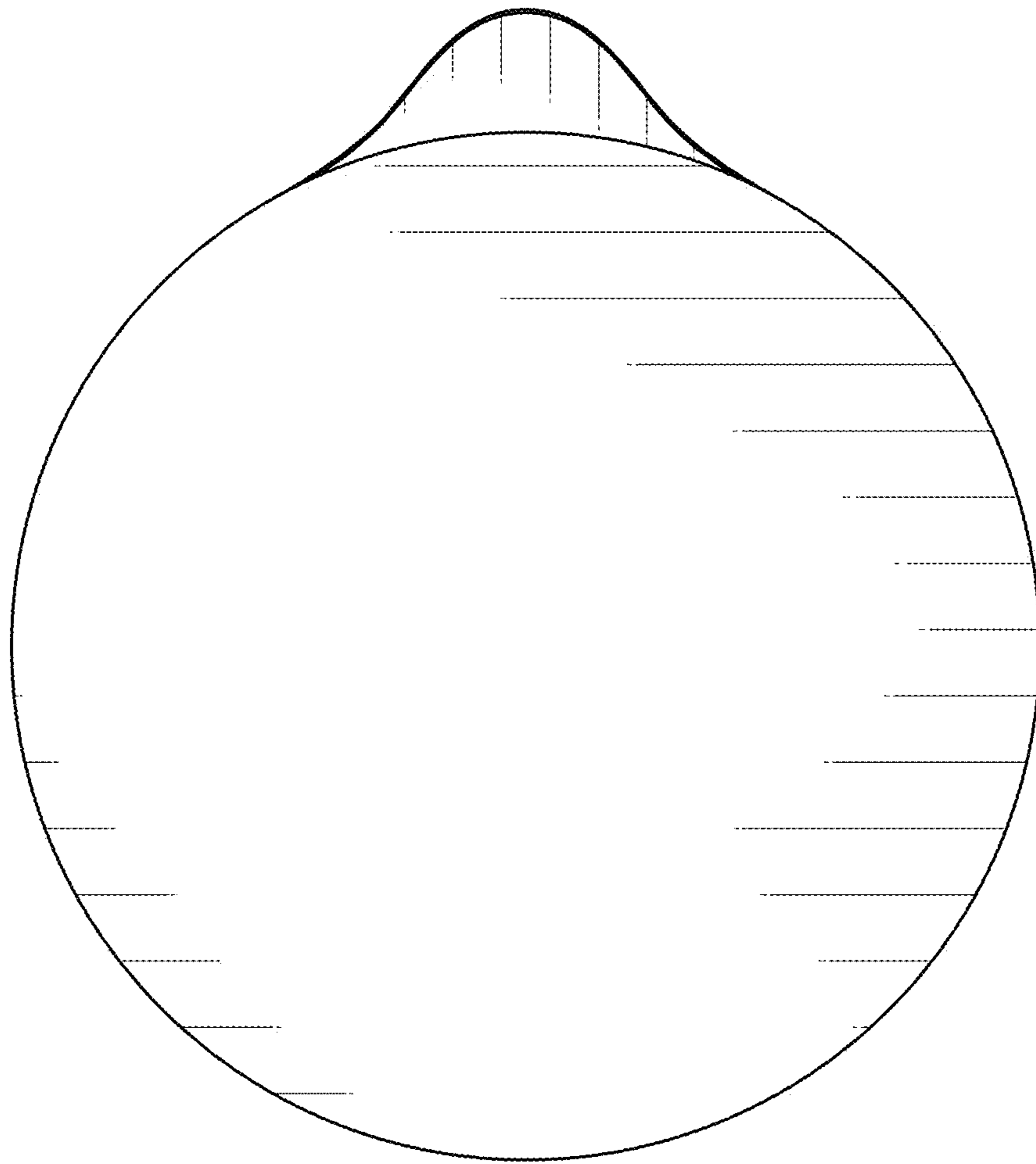


FIG. 9

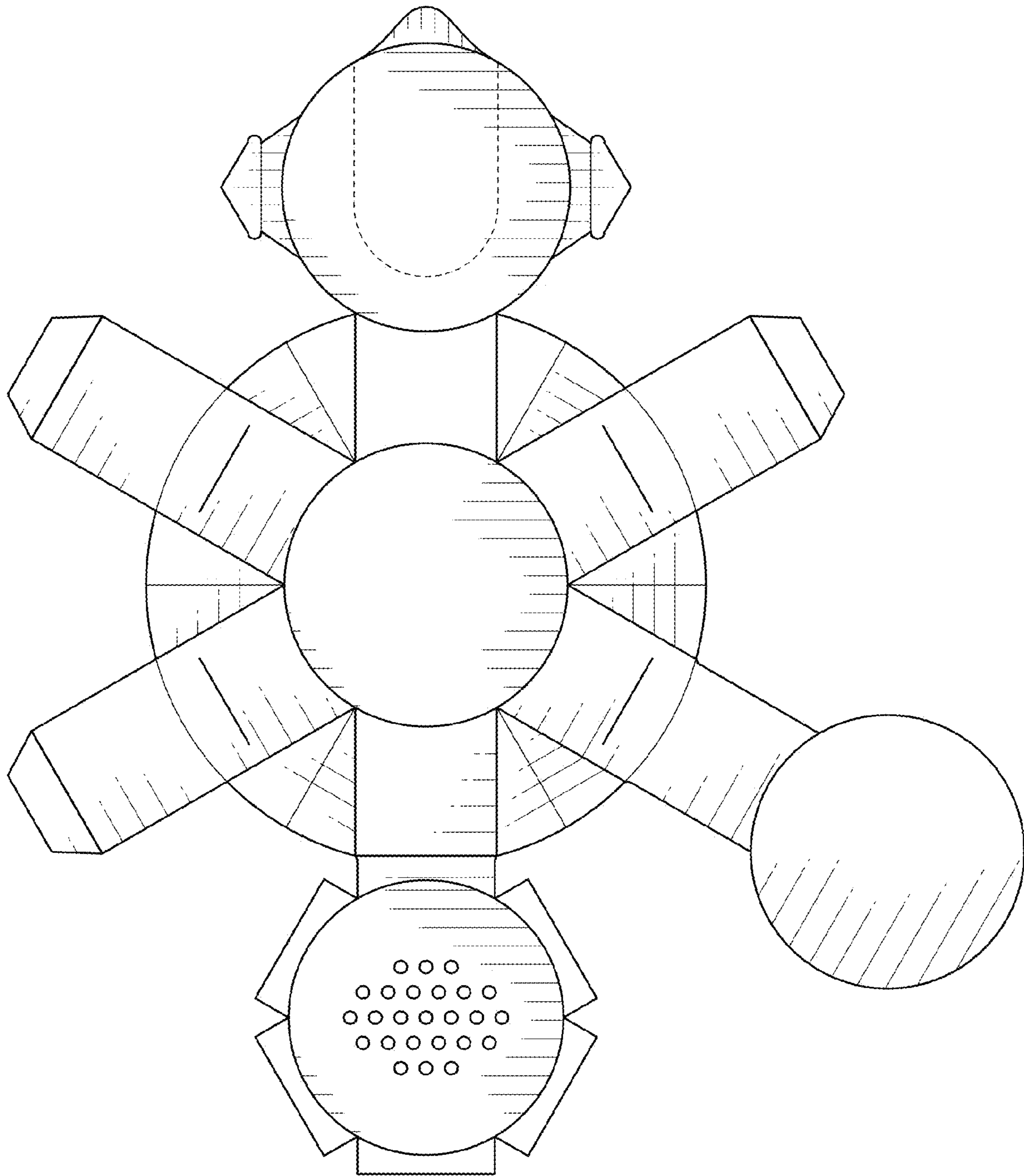


FIG. 10

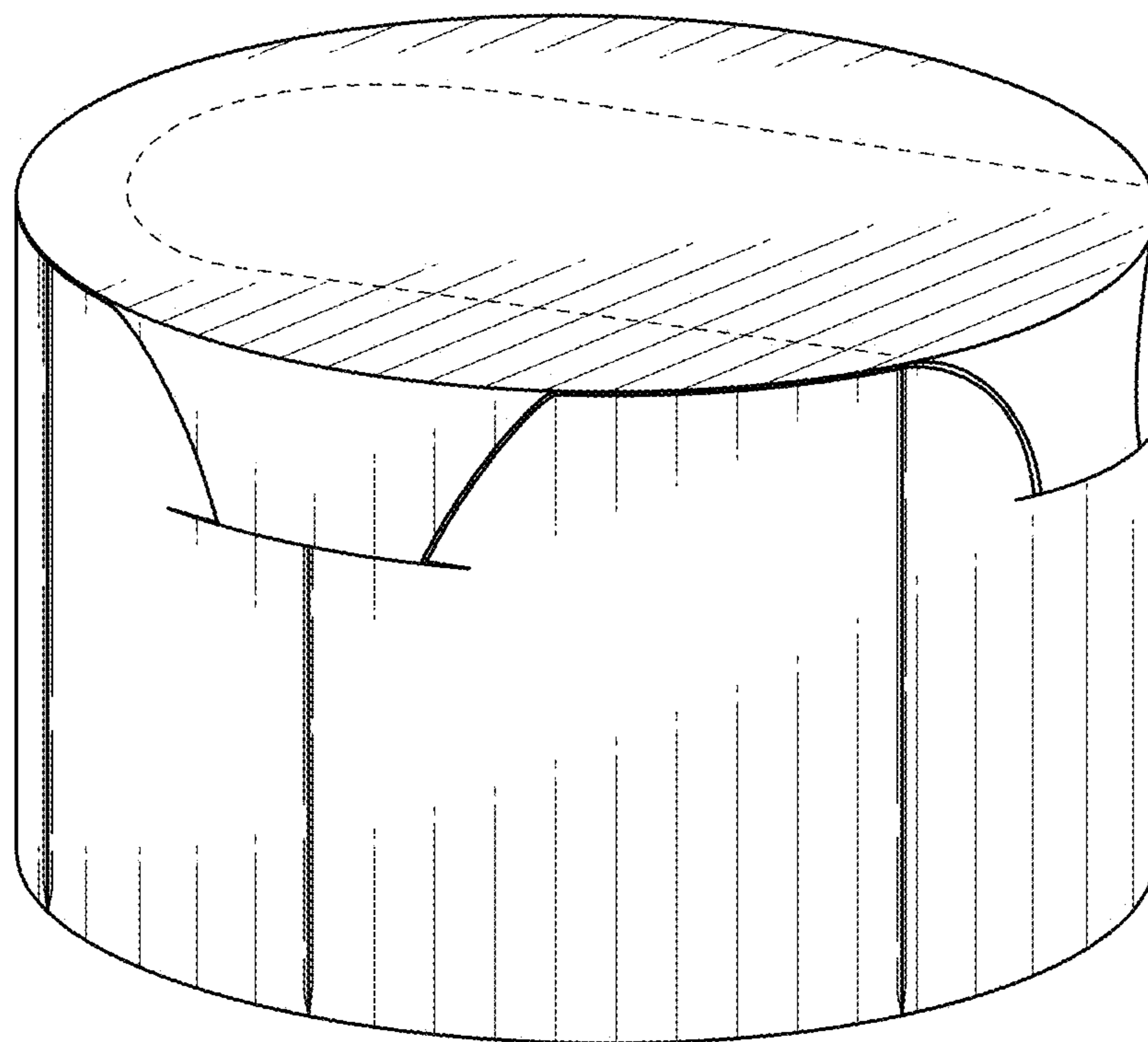


FIG. 11

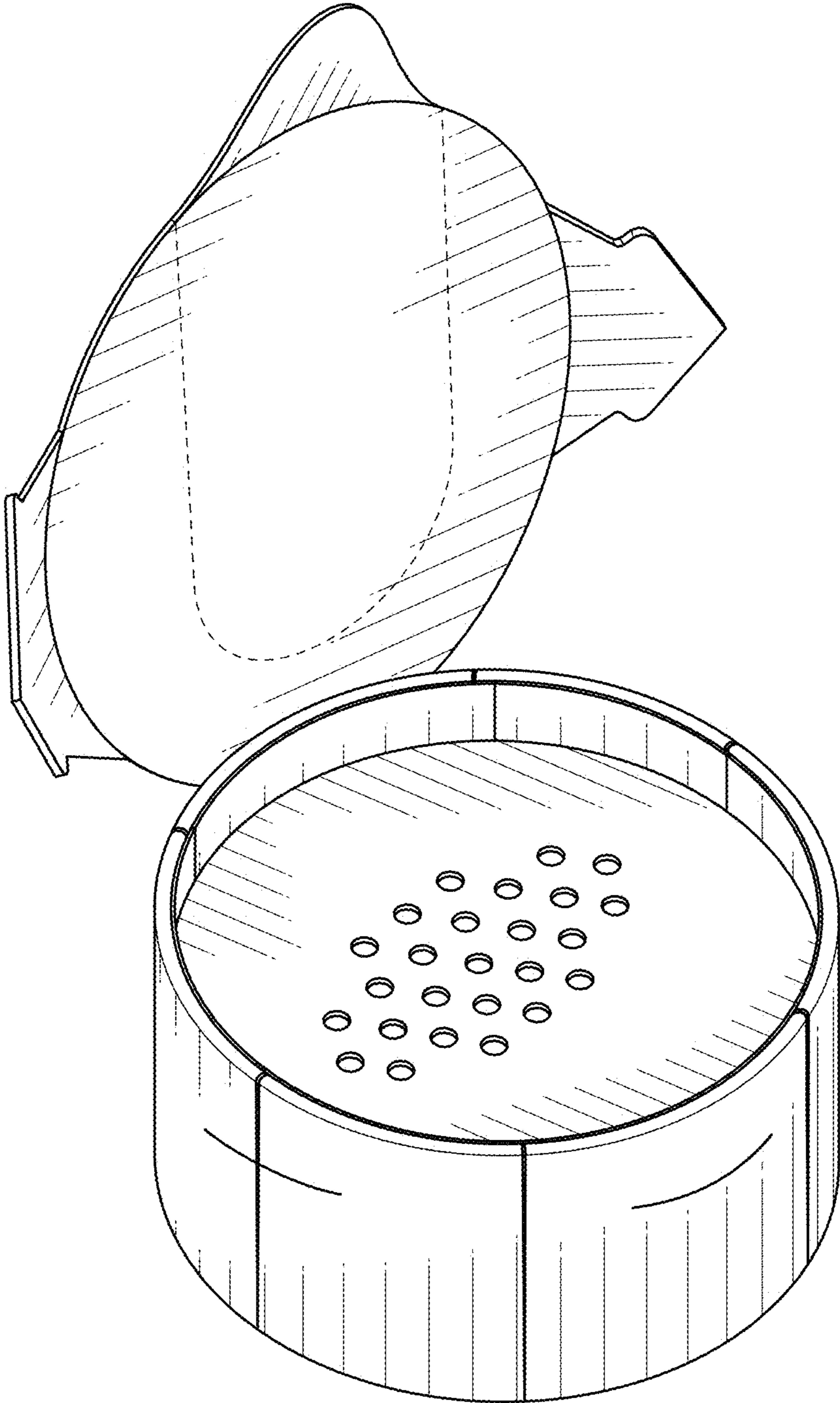


FIG. 12

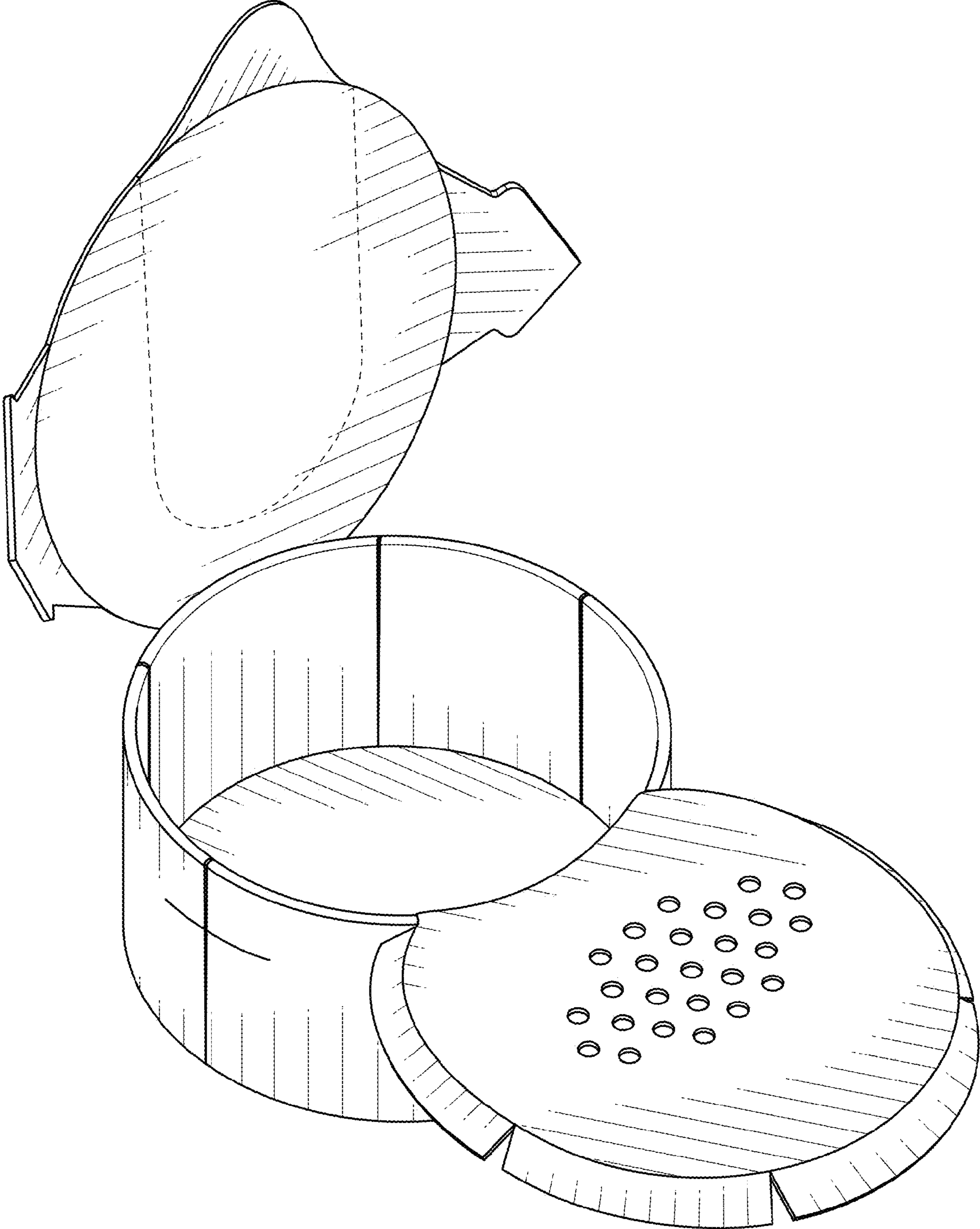


FIG. 13

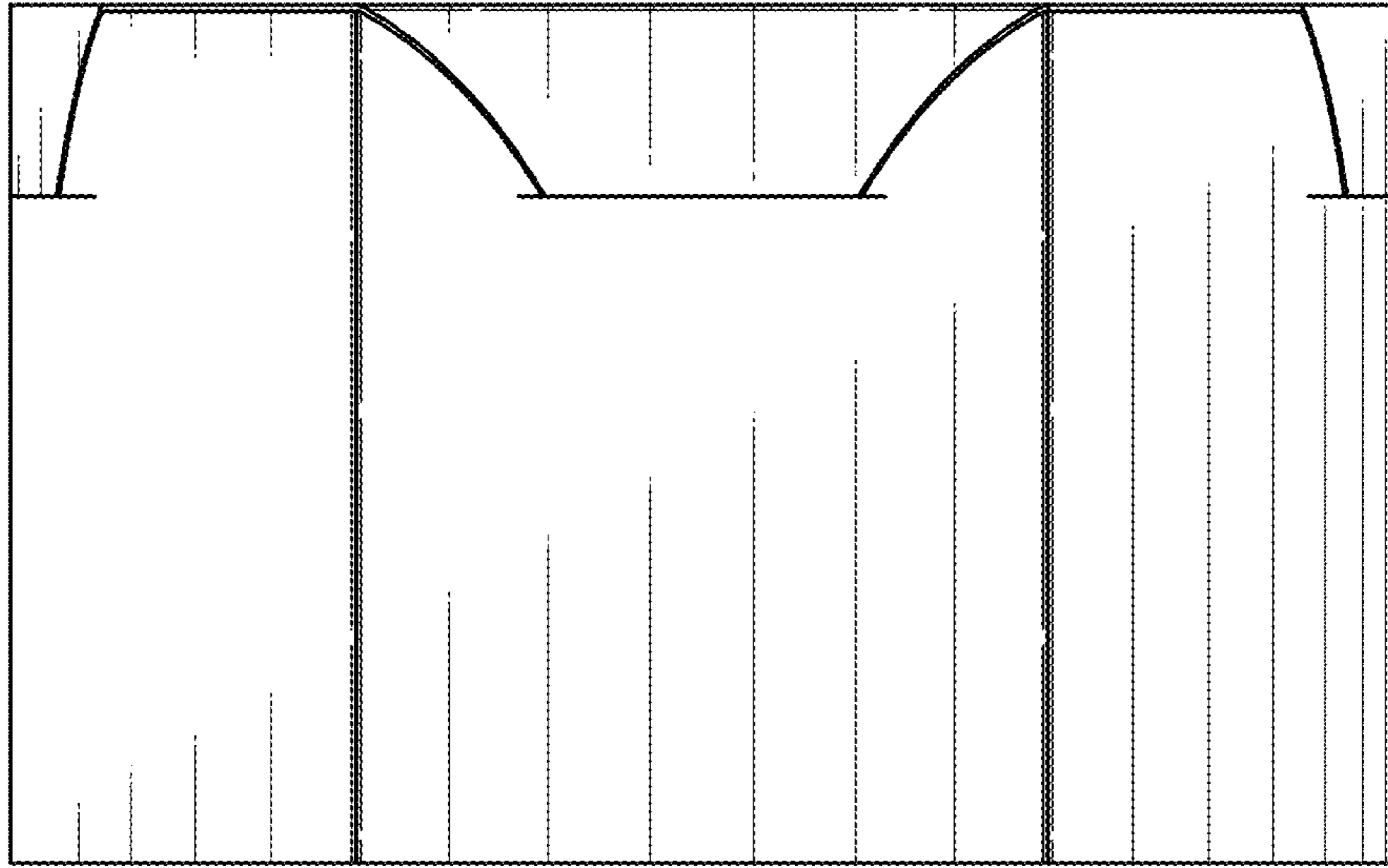


FIG. 14

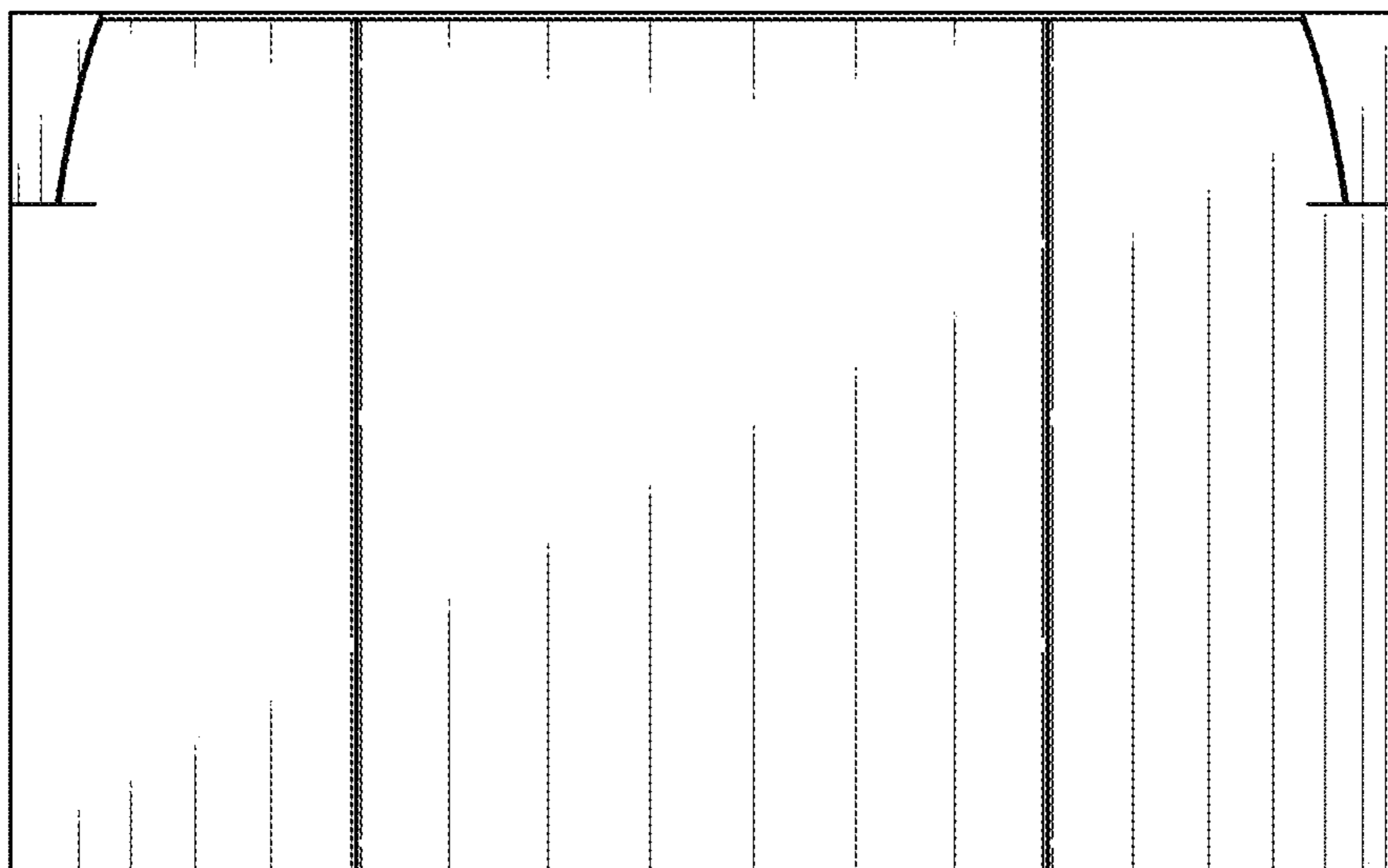


FIG. 15

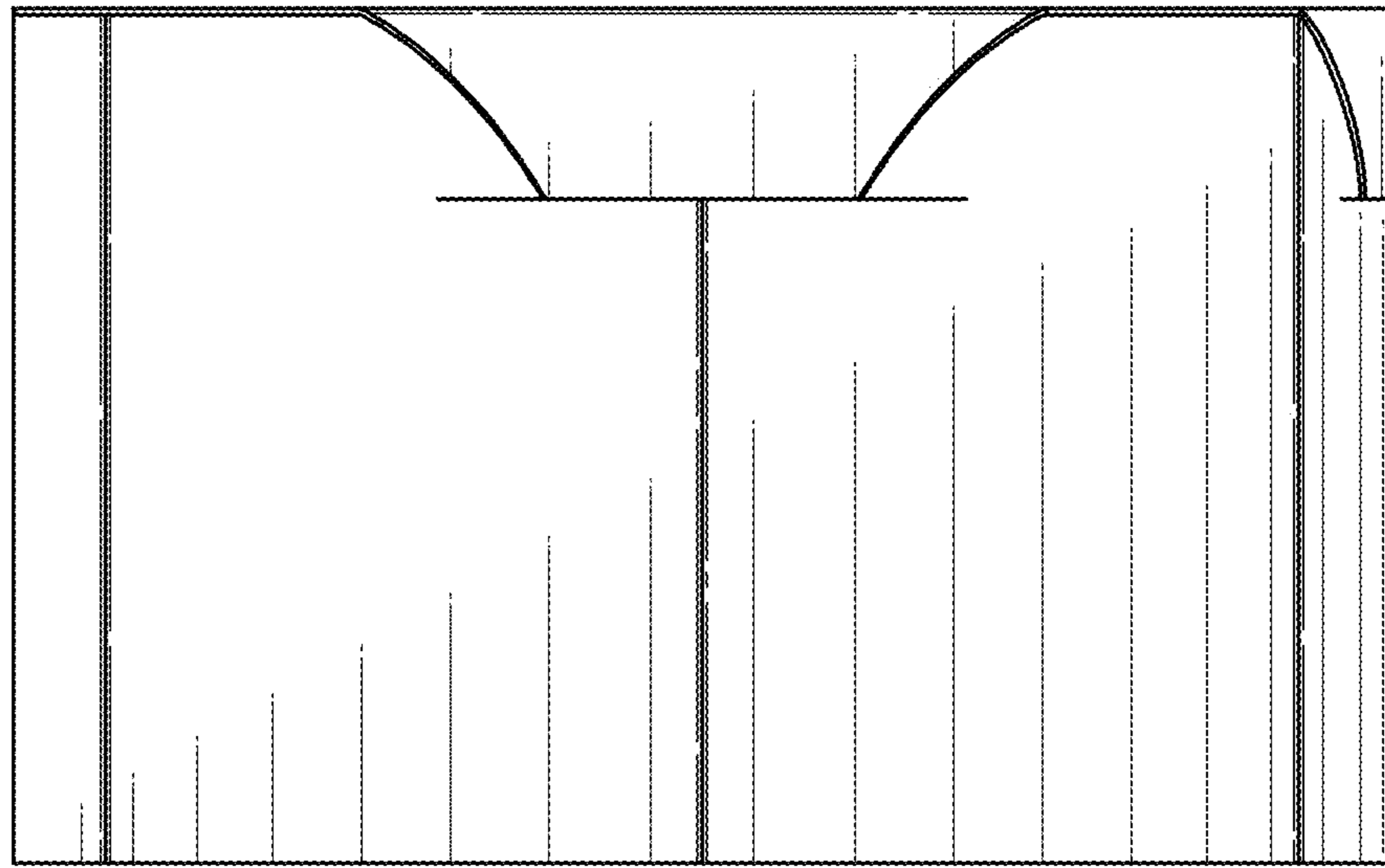


FIG. 16

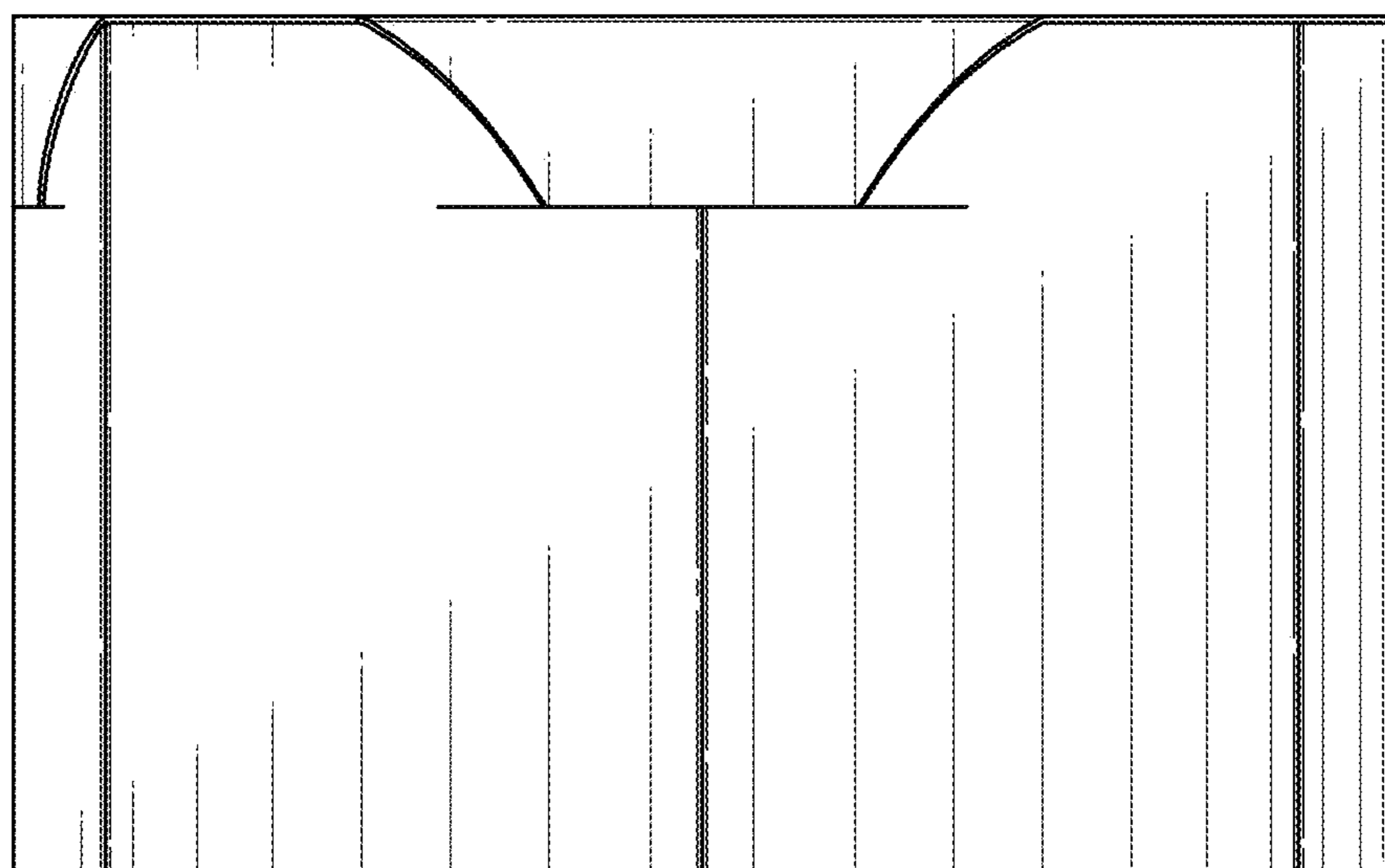


FIG. 17

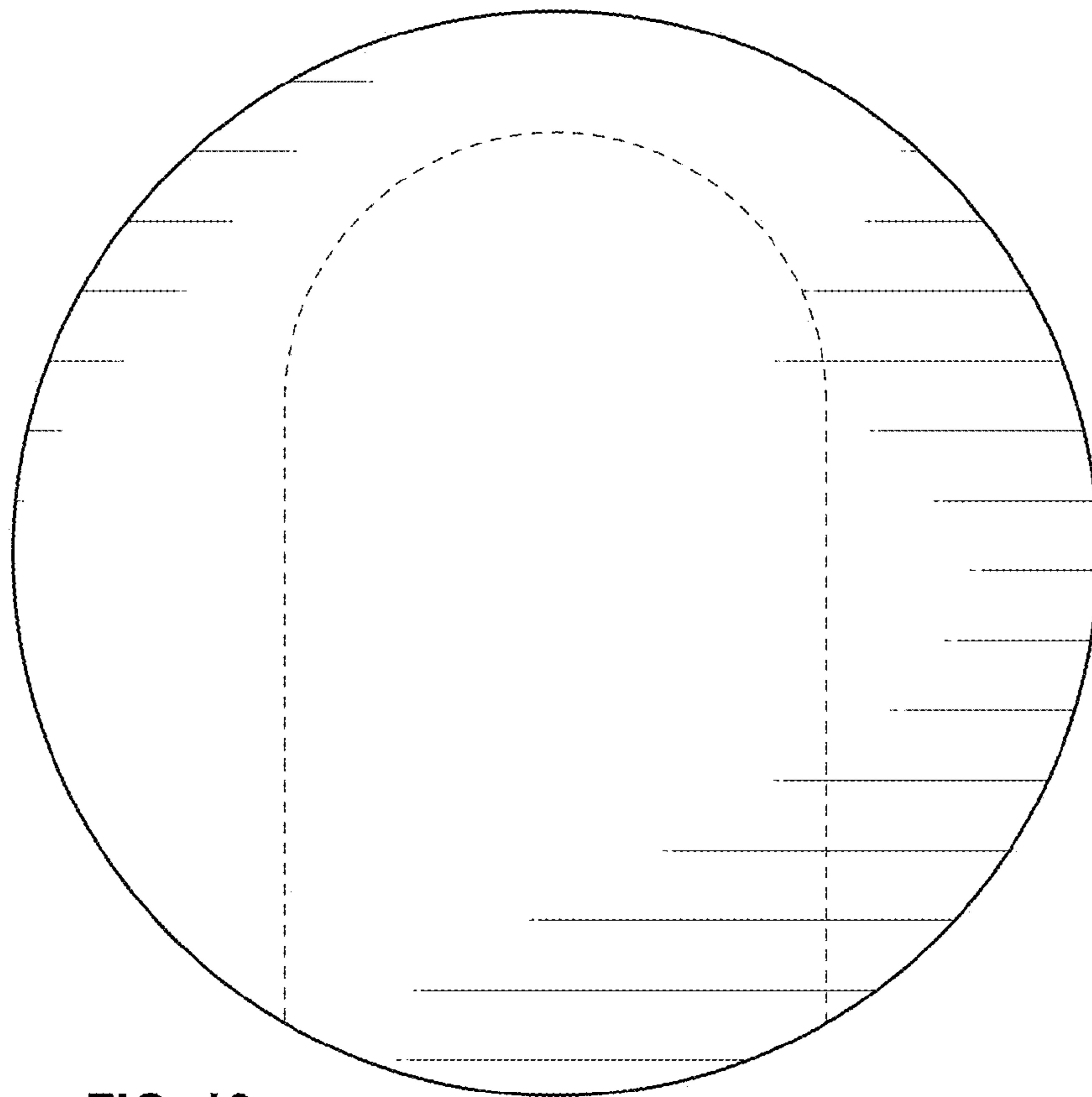


FIG. 18

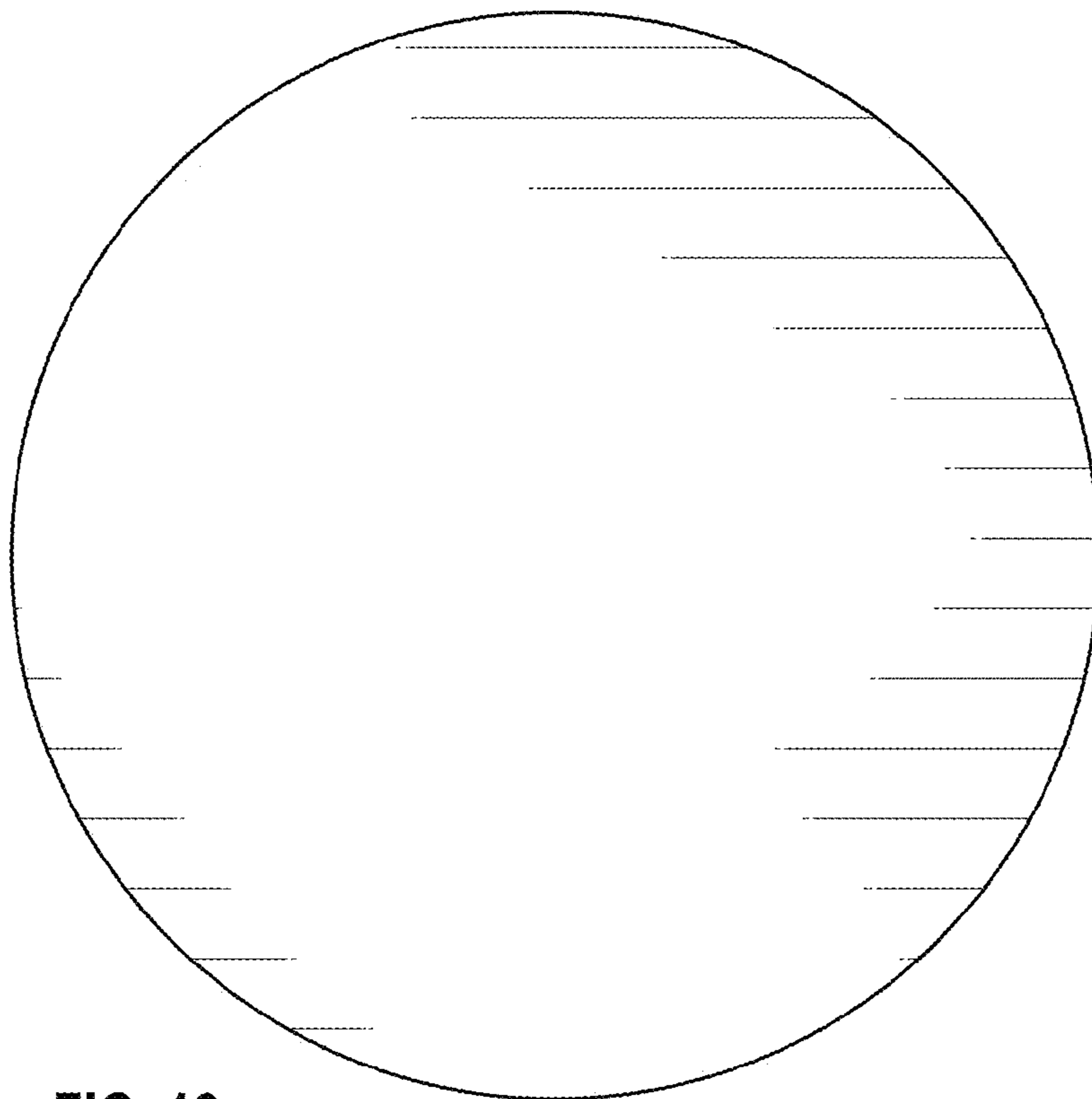


FIG. 19

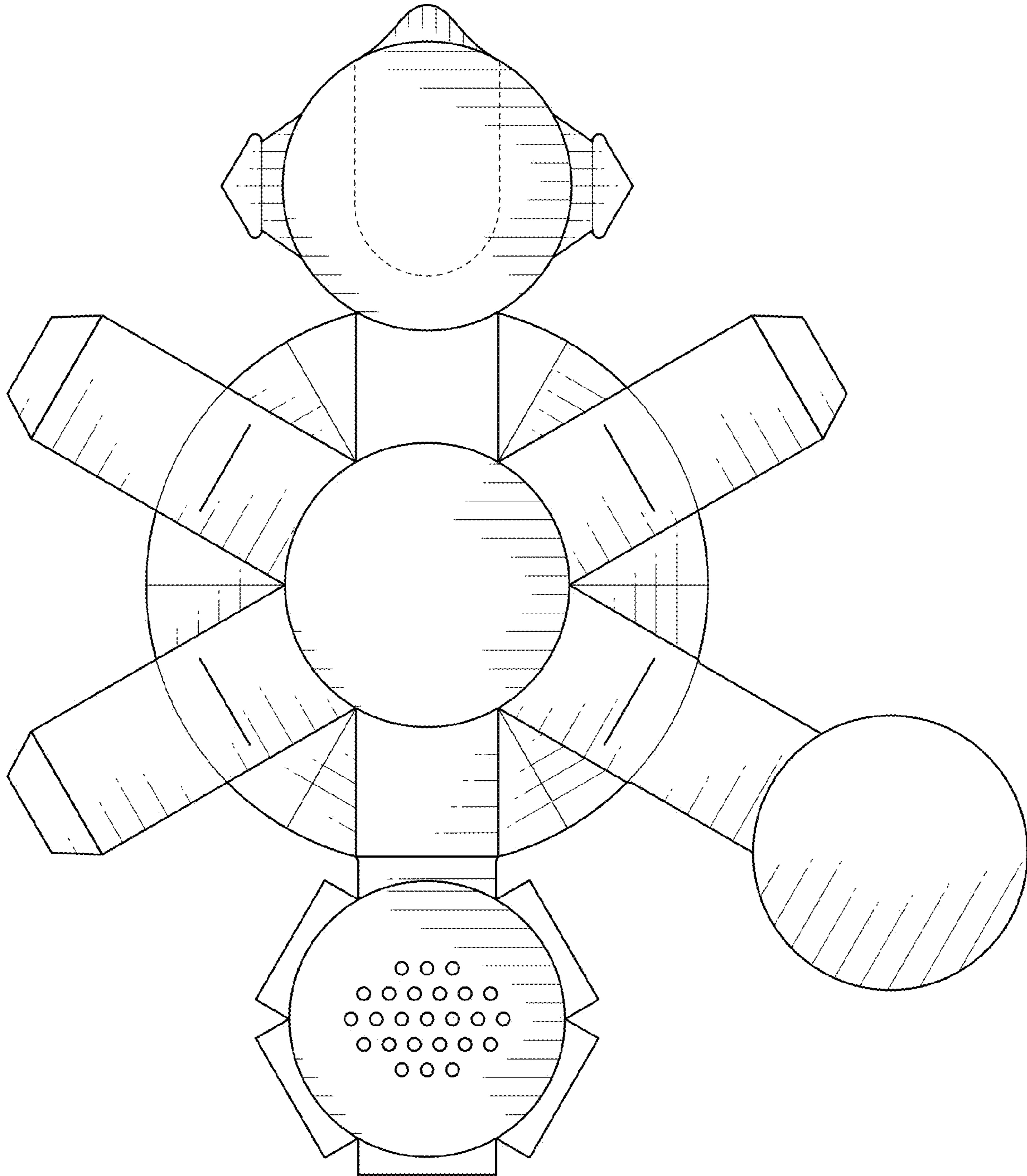


FIG. 20