

US00D876945S

(12) **United States Design Patent** (10) **Patent No.:** **US D876,945 S**
Smith et al. (45) **Date of Patent:** **** Mar. 3, 2020**

(54) **CONTAINER** 1,628,330 A 5/1927 Peck et al.
1,646,702 A 10/1927 Moyer
(71) Applicants: **William Thomas Smith**, Fair Oaks, CA 1,743,520 A * 1/1930 Baron A47F 3/145
(US); **Cheryl Ann Smith**, Fair Oaks, CA (US) 215/235
1,883,806 A 10/1932 Martin
D141,059 S 7/1944 Siegel
(72) Inventors: **William Thomas Smith**, Fair Oaks, CA 2,409,814 A 10/1946 Vargish
(US); **Cheryl Ann Smith**, Fair Oaks, CA (US) 2,434,860 A 1/1948 Oxley
3,086,658 A 4/1963 Palmer
D205,123 S 6/1966 Giesecke
3,847,305 A 11/1974 Tobin
(73) Assignee: **All Plastic Inc.**, Gold River, CA (US) 3,853,263 A 12/1974 Otsuka
D251,426 S 3/1979 Molyneux
D284,777 S 7/1986 Anthony
(**) Term: **15 Years** D319,150 S 8/1991 Biddlecom
D329,558 S 9/1992 Keown
(21) Appl. No.: **29/695,436** D329,763 S 9/1992 Cuminale
(22) Filed: **Jun. 19, 2019** (Continued)

Related U.S. Application Data

(63) Continuation of application No. 29/623,128, filed on Oct. 23, 2017, now Pat. No. Des. 855,449.

(51) **LOC (12) Cl.** **09-03**
(52) **U.S. Cl.**
USPC **D9/414; D6/677**

(58) **Field of Classification Search**
USPC D9/414-416, 418, 428, 516, 517,
D9/737-739; D27/102, 109, 110, 172,
D27/175, 186; 312/31.1; D6/677
CPC A24F 21/00; A24F 19/00; A24F 19/007;
A47F 1/00; A47F 1/04; A47F 1/06; A47F
3/00; A47F 3/02; A47F 3/14; A47F
3/001; A47F 3/145; B65D 23/00; B65D
23/001; B65D 23/08; B65D 50/00; B65D
5/52; B65D 5/5253
See application file for complete search history.

(56) **References Cited**

U.S. PATENT DOCUMENTS

1,597,548 A 8/1926 Sharp
1,628,108 A 5/1927 Brown et al.

Primary Examiner — Wan Laymon

Assistant Examiner — Clint A Samuel

(74) *Attorney, Agent, or Firm* — Ballard Spahr LLP

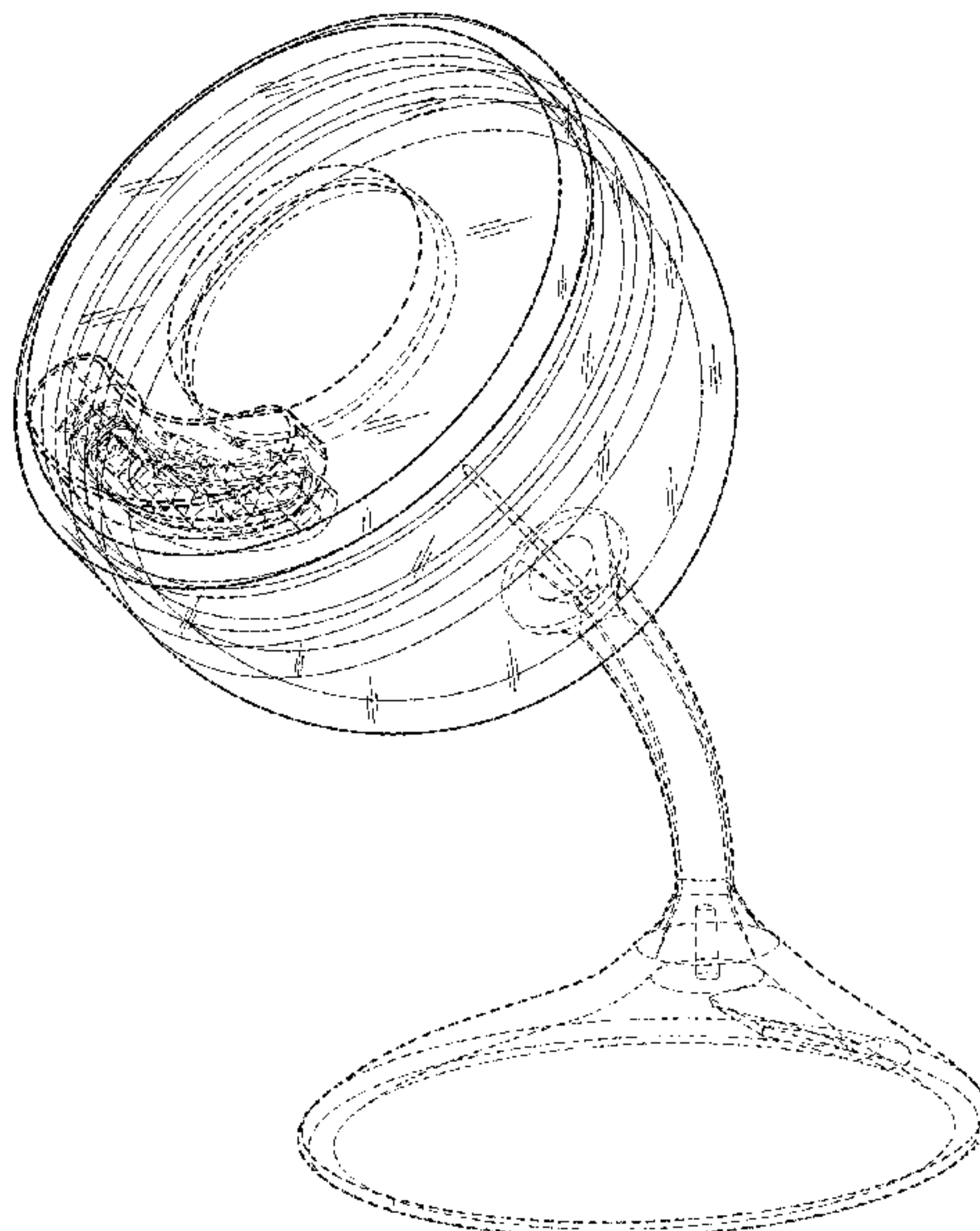
(57) **CLAIM**

We claim the ornamental design for a container, as shown and described.

DESCRIPTION

FIG. 1 is a perspective view of our design of a container according to our invention;
FIG. 2 is top view of the container shown in FIG. 1;
FIG. 3 is bottom view of the container shown in FIG. 1;
FIG. 4 is a left side elevation view of the container shown in FIG. 1;
FIG. 5 is a right side elevation view of the container shown in FIG. 1;
FIG. 6 is a front view of the container shown in FIG. 1; and,
FIG. 7 is a rear view of the container shown in FIG. 1.
The broken lines depict portions of the container that form no part of the claimed design.

1 Claim, 7 Drawing Sheets



(56)

References Cited

U.S. PATENT DOCUMENTS

D362,123 S	9/1995	Johnston et al.	D682,045 S	5/2013	Myoung	
D367,560 S	3/1996	Kwan	D683,141 S	5/2013	Symons	
D370,355 S	6/1996	Kenney	D690,137 S	9/2013	Kikkert et al.	
D372,131 S	7/1996	Perkins, Jr.	D690,138 S	9/2013	Kikkert et al.	
D396,562 S	8/1998	Kenney	D693,607 S	11/2013	Johnson et al.	
5,794,771 A	8/1998	Krawee et al.	D730,091 S	5/2015	Chan	
D421,074 S	2/2000	Resich	D782,853 S	4/2017	Foster	
D424,330 S	5/2000	DeWitt	D784,737 S	4/2017	Kroll	
D426,205 S	6/2000	Knoop	D785,977 S	5/2017	Kroll	
6,132,123 A	10/2000	Gueret	D786,668 S	5/2017	Cornaglia	
6,205,688 B1	3/2001	Grosser-Samuels	D787,840 S	5/2017	Spigler	
D457,011 S	5/2002	Wenner et al.	D789,348 S	6/2017	Kim	
D473,721 S	4/2003	Chu	RE46,460 E	7/2017	Kroll	
D475,930 S	6/2003	Chang	D806,450 S	1/2018	Seong	
D482,493 S	11/2003	Lillelund et al.	D813,576 S	3/2018	Schwalbach et al.	
D499,890 S	12/2004	Peck	D827,923 S	9/2018	Whetsel et al.	
D500,640 S	1/2005	Lawson et al.	D830,744 S	10/2018	Kroll	
D502,338 S	3/2005	Zanghi et al.	D850,165 S	6/2019	Eads et al.	
D540,068 S	4/2007	Zhang	D855,449 S *	8/2019	Smith D9/414	
D581,681 S	12/2008	Goolrick	D856,045 S	8/2019	Schwalbach et al.	
D607,666 S	1/2010	Isbell	D856,046 S	8/2019	Akana et al.	
D628,020 S	11/2010	Lim	2010/0282924 A1	11/2010	Boies	
D643,231 S	8/2011	Huang	2013/0306516 A1	11/2013	Dougherty et al.	
D646,904 S	10/2011	Feldstein et al.	2014/0106608 A1	4/2014	Howarth et al.	
D649,153 S	11/2011	Symons	2016/0223126 A1	8/2016	Mireles	
D649,594 S	11/2011	Yi et al.	2018/0134447 A1	5/2018	Zimmer	
			2018/0160828 A1	6/2018	Turner et al.	
			2018/0282011 A1	10/2018	Evans	

* cited by examiner

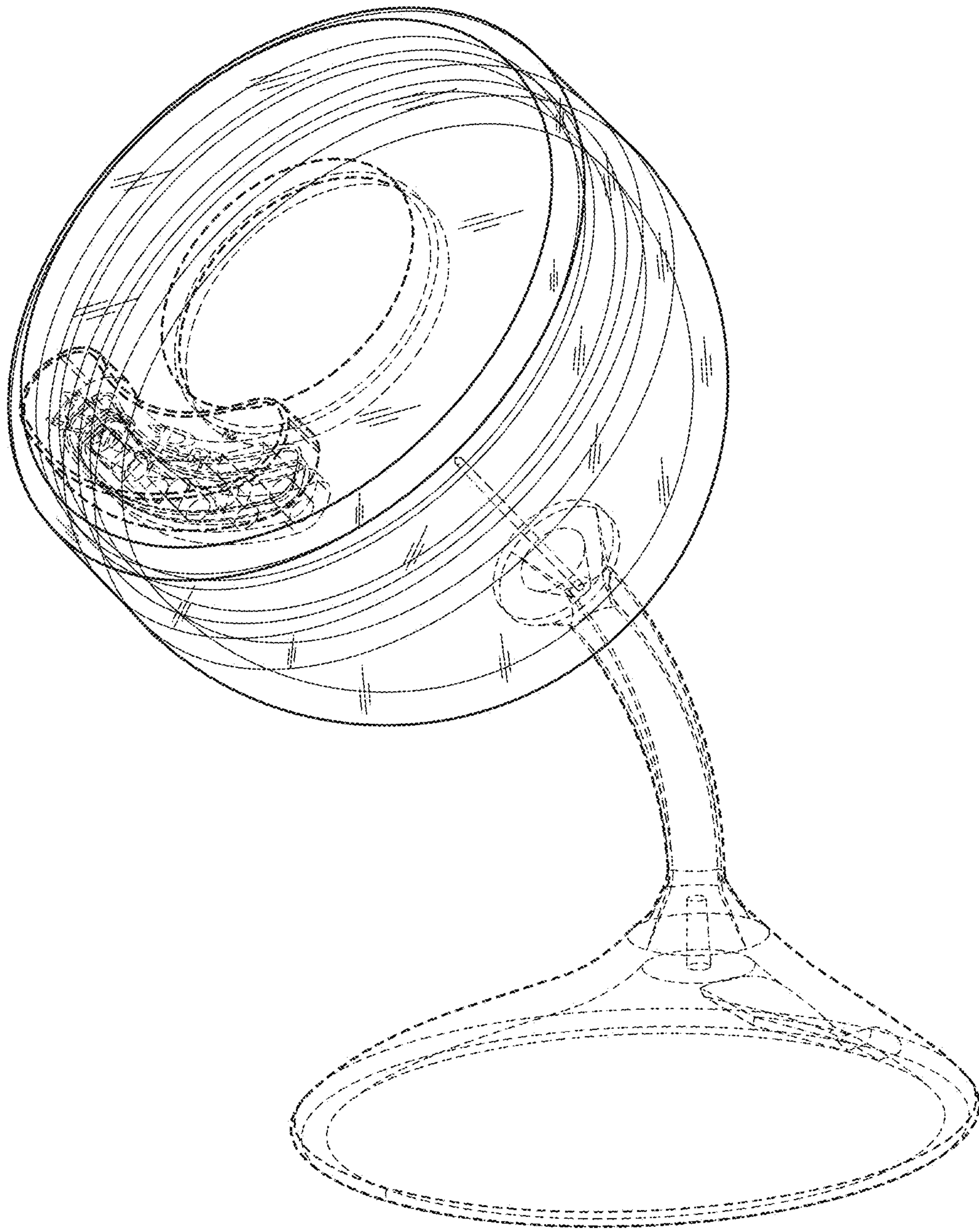


Fig. 1

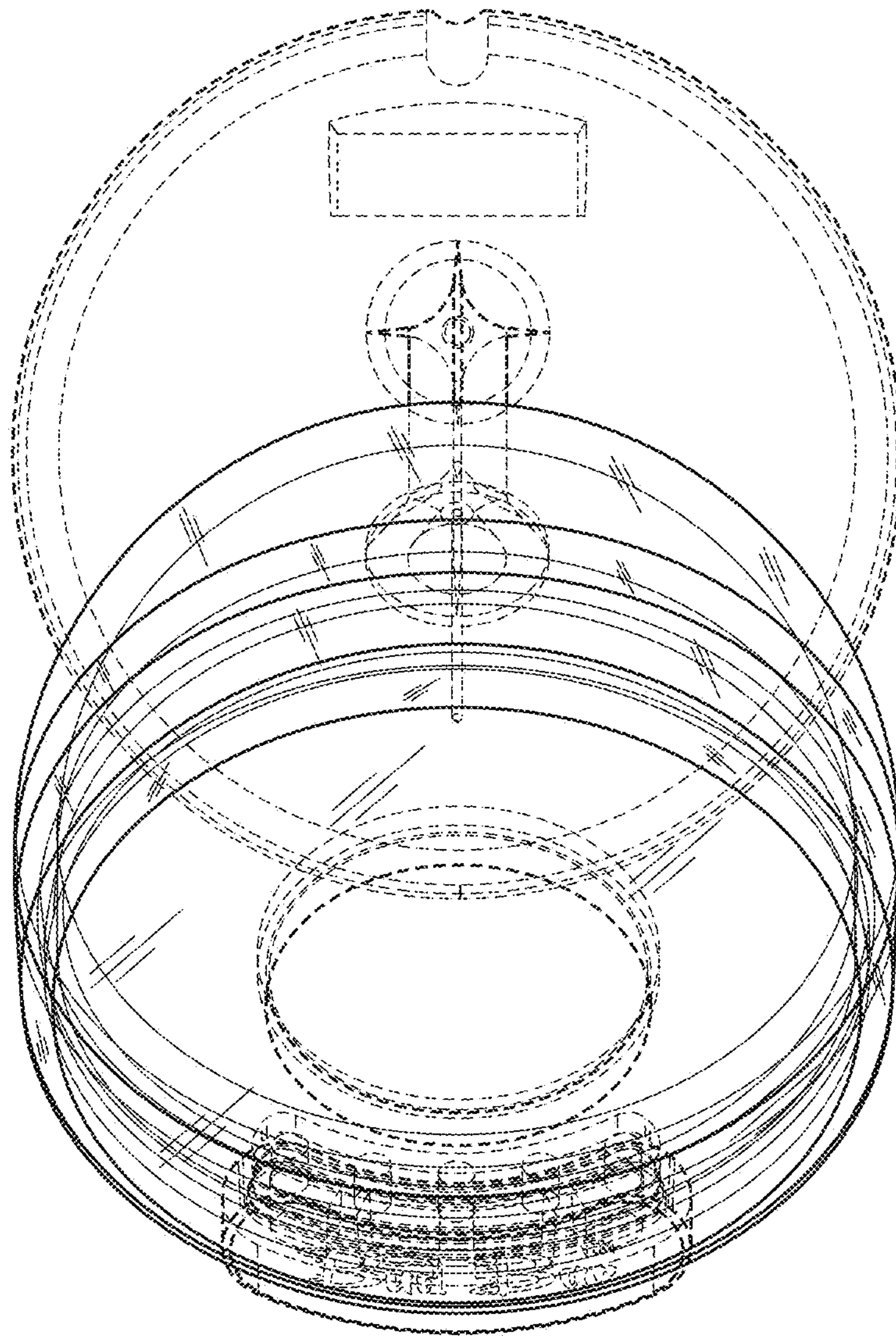


Fig. 2

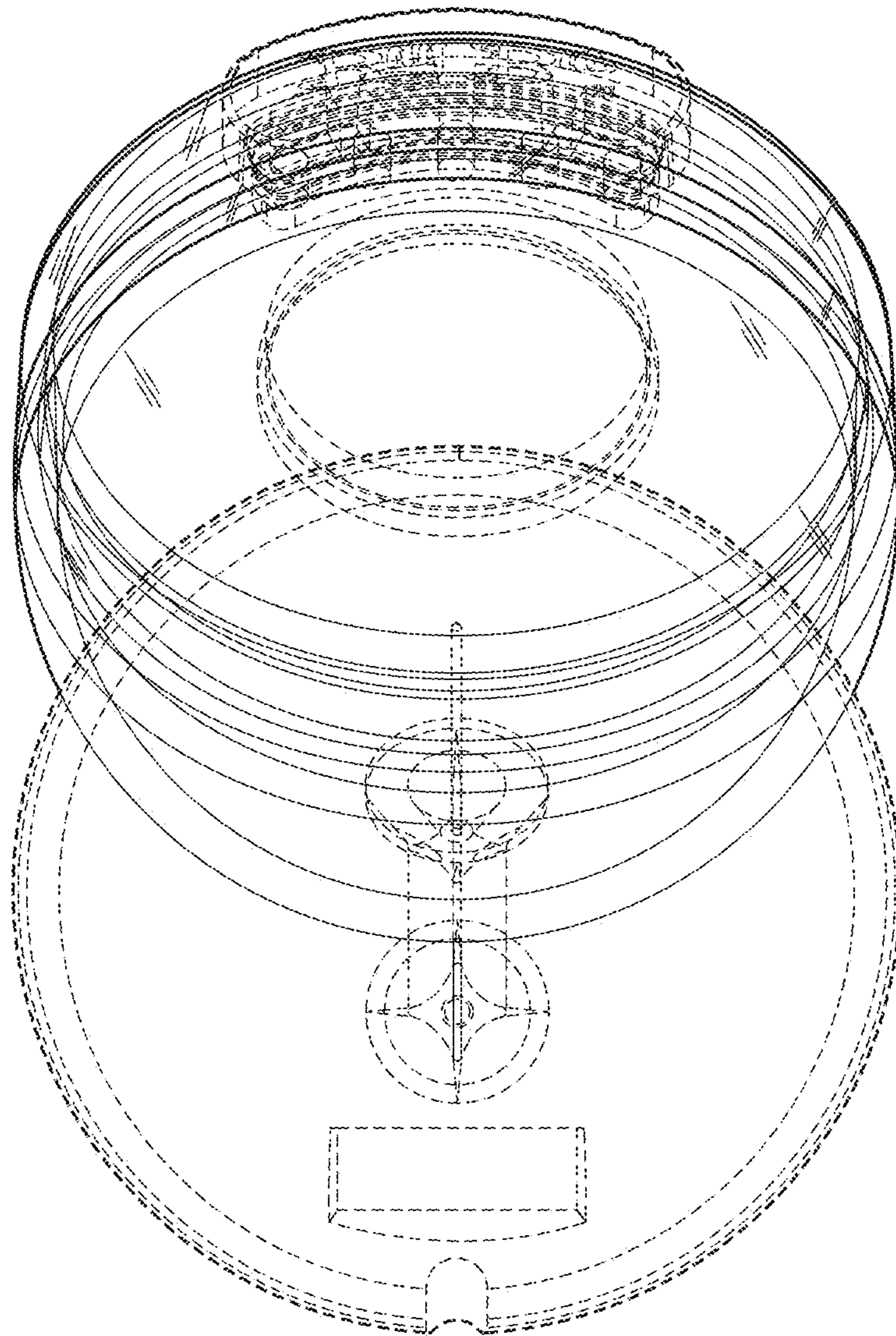


Fig. 3

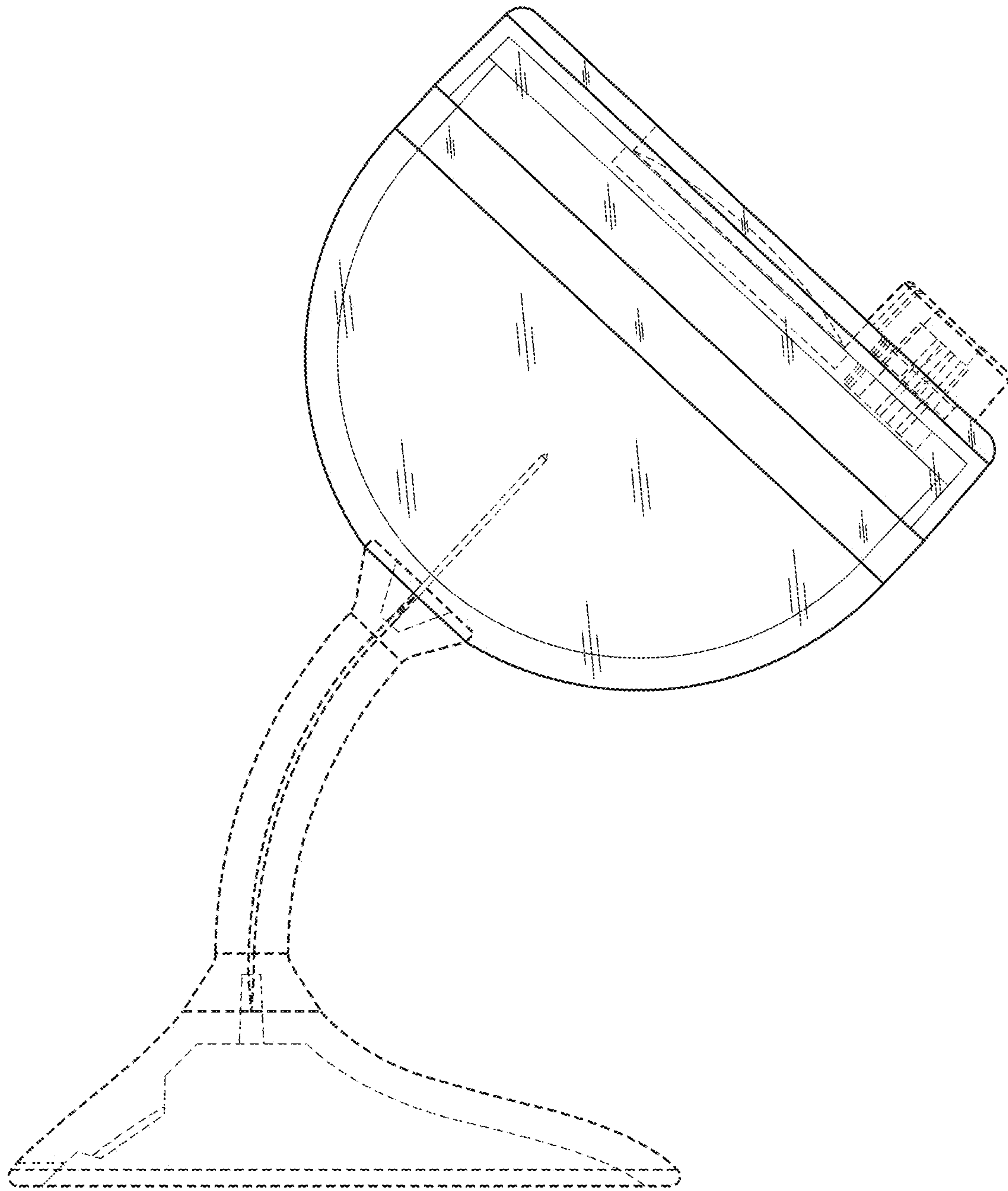


Fig. 4

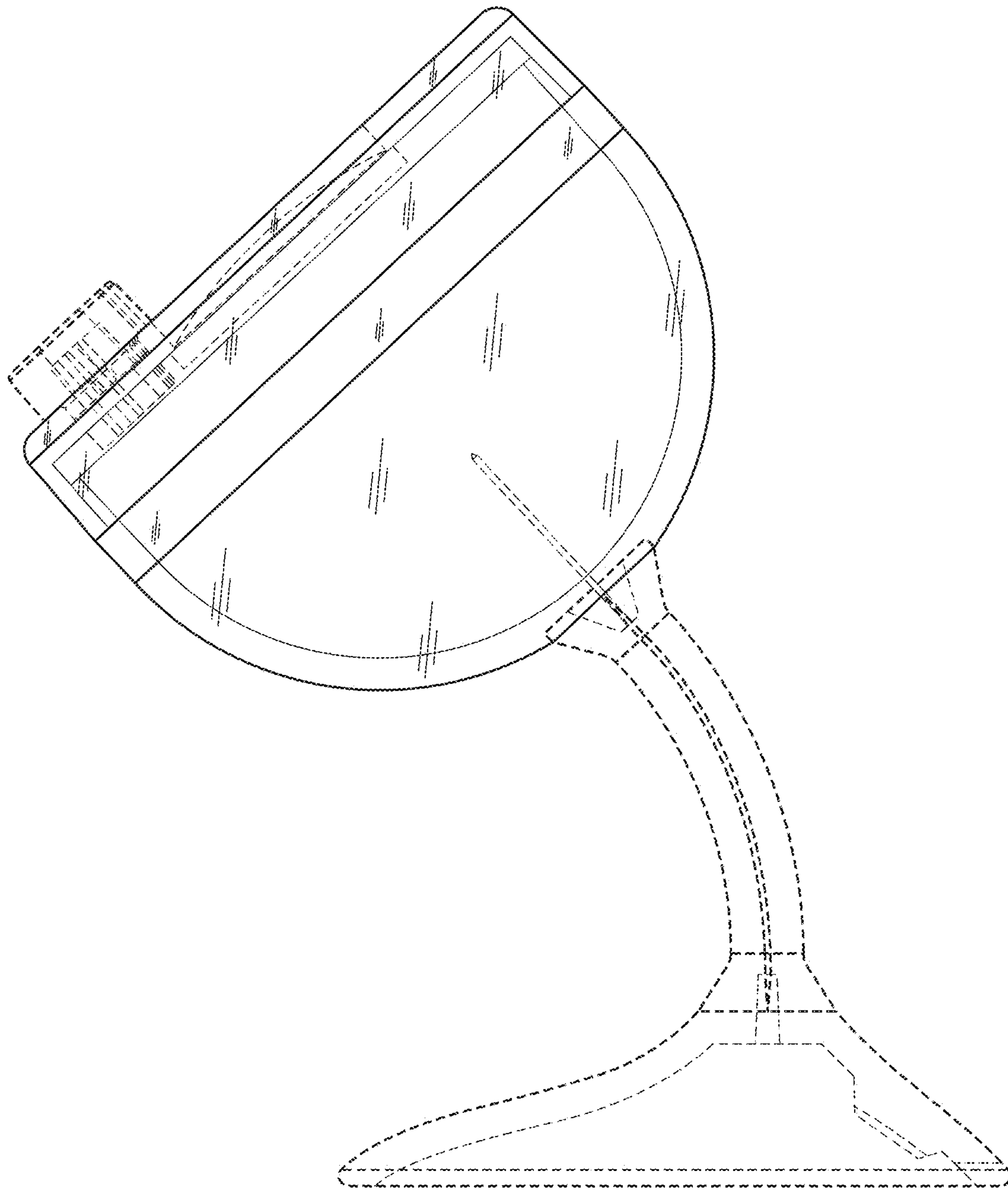


Fig. 5

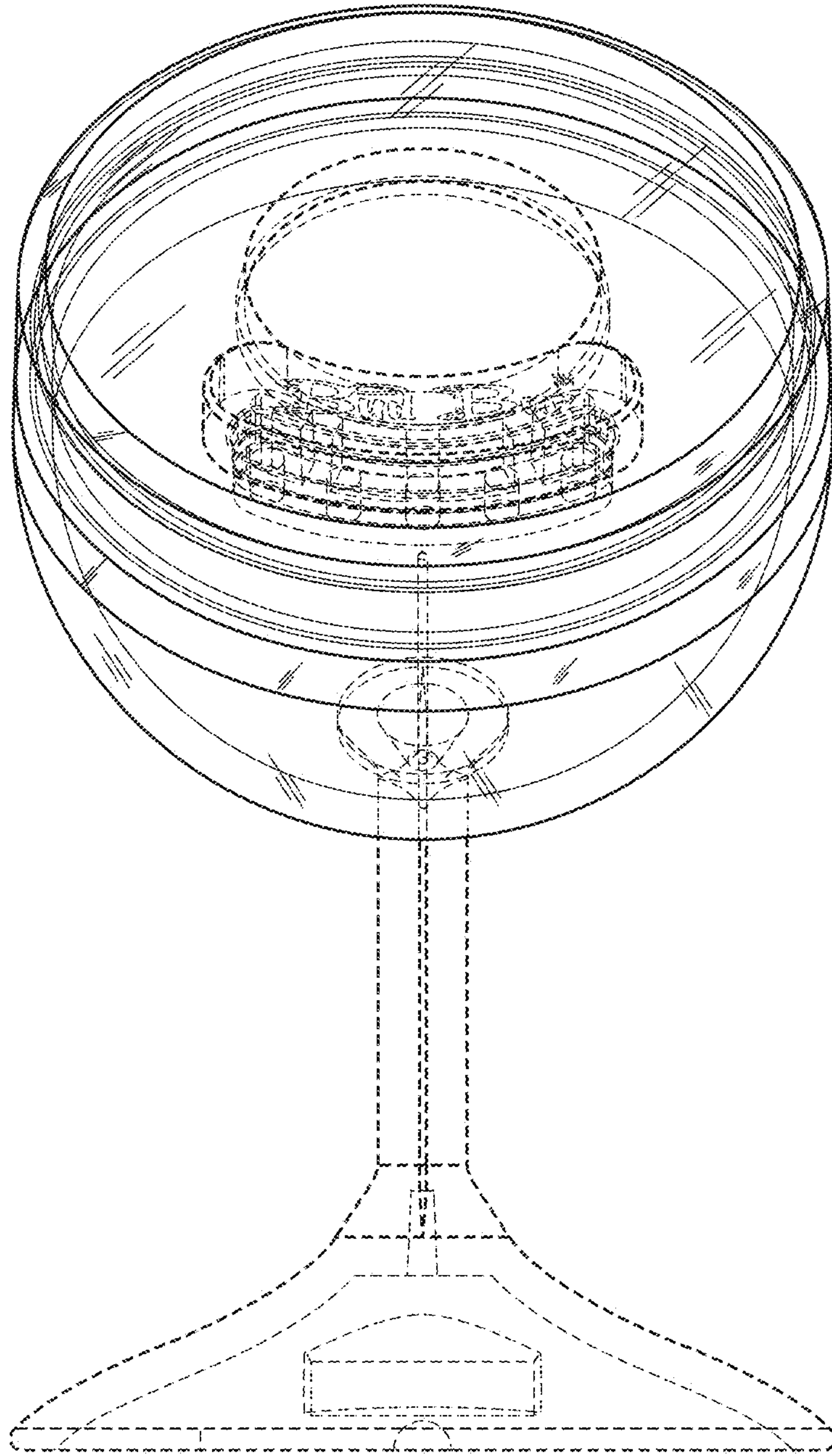


Fig. 6

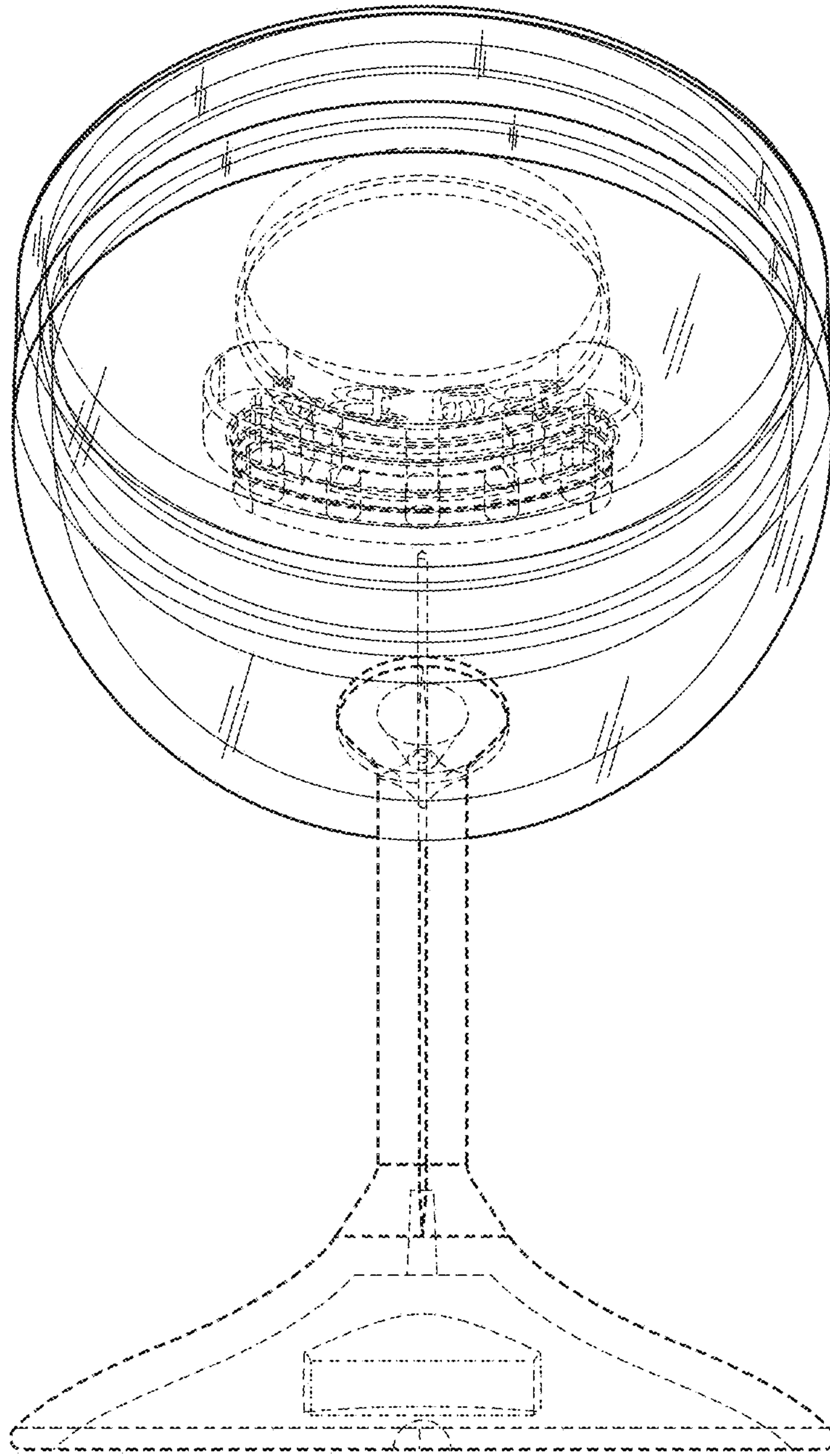


Fig. 7