



US00D876944S

(12) **United States Design Patent**
Fleck et al.

(10) **Patent No.:** **US D876,944 S**
(45) **Date of Patent:** **** Mar. 3, 2020**

- (54) **PIPE COUPLING**
- (71) Applicant: **Victaulic Company**, Easton, PA (US)
- (72) Inventors: **Michael S. Fleck**, Easton, PA (US);
Matthew A. Bowman, Palmer, PA (US); **Philip W. Bancroft**, Belvidere, NJ (US); **Scott D. Madara**, Nazareth, PA (US); **Alan M. Yesavage**, Lenhartsville, PA (US)
- (73) Assignee: **Victaulic Company**, Easton, PA (US)
- (**) Term: **15 Years**
- (21) Appl. No.: **29/690,623**
- (22) Filed: **May 9, 2019**

Related U.S. Application Data

- (62) Division of application No. 29/643,716, filed on Apr. 11, 2018, now Pat. No. Des. 861,473.
- (51) **LOC (12) Cl.** **08-08**
- (52) **U.S. Cl.**
USPC **D8/396; D23/262**
- (58) **Field of Classification Search**
USPC D8/349, 382, 394, 395, 396; D23/262, D23/264, 265
CPC . F16L 17/00; F16L 17/04; F16L 21/06; F16L 21/08; F16L 23/00; F16L 23/08; F16L 23/036; F16L 3/13; F16L 33/04; F16L 33/06; F16L 33/08; Y10T 29/49948
See application file for complete search history.

(56) **References Cited**

U.S. PATENT DOCUMENTS

- 2,377,510 A * 6/1945 Newell F16L 17/04
285/112
- D142,057 S * 8/1945 Baxter et al. D23/265

- 4,186,947 A * 2/1980 Nixon F16L 17/04
285/112
- D283,486 S * 4/1986 Fogel D8/396
- 4,611,839 A * 9/1986 Rung F16L 17/04
24/279
- D309,094 S * 7/1990 Donis D23/265
- 4,966,395 A * 10/1990 Hendrickson F16L 17/04
285/112
- 5,359,866 A * 11/1994 Boddy F16B 2/10
24/270
- 5,620,210 A * 4/1997 Eyster F16L 21/06
24/625
- 6,170,884 B1 * 1/2001 McLennan F16L 17/04
285/112
- D438,783 S * 3/2001 Elliott F16L 23/10
D8/396
- 6,227,577 B1 * 5/2001 Ikeda F16L 17/04
285/112
- D570,458 S * 6/2008 Gibb D23/262
- D574,228 S * 8/2008 Johansson D8/396
- D577,423 S * 9/2008 Dole D23/265
- D583,444 S * 12/2008 Nagle D23/262
- D583,916 S * 12/2008 Madara D23/265
- D584,604 S * 1/2009 Baldwin D8/396

(Continued)

Primary Examiner — Steven J Cxyz

(74) *Attorney, Agent, or Firm* — Ballard Spahr LLP

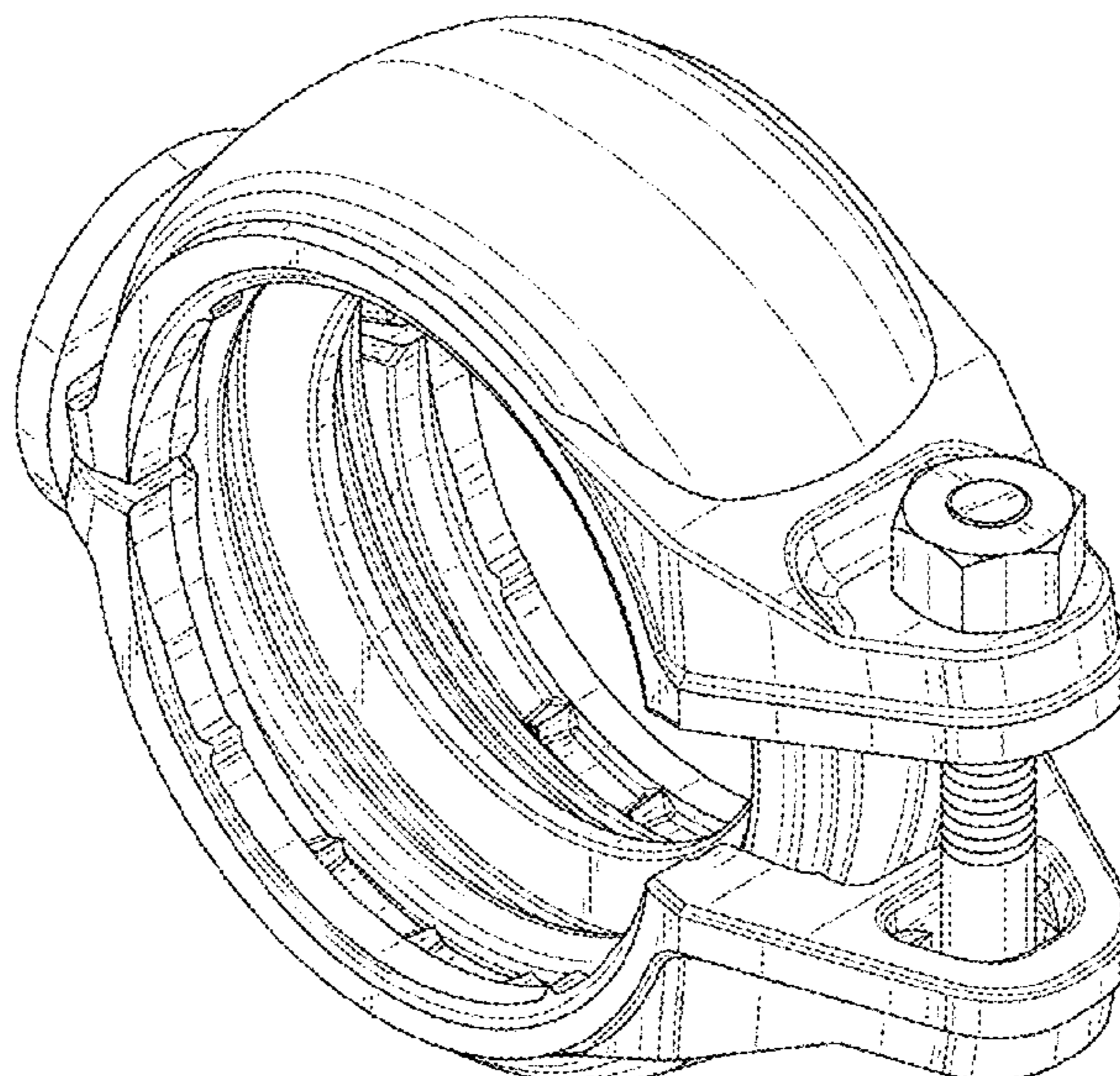
(57) **CLAIM**

We claim the ornamental design for a pipe coupling, as shown and described.

DESCRIPTION

FIG. 1 is an isometric view of another of our design for a pipe coupling;
 FIG. 2 is a right side view thereof, the left side being a mirror image thereof;
 FIG. 3 is a rear view thereof;
 FIG. 4 is a front view thereof;
 FIG. 5 is a top view thereof; and,
 FIG. 6 is a bottom view thereof.

1 Claim, 6 Drawing Sheets



(56)

References Cited

U.S. PATENT DOCUMENTS

D587,349 S * 2/2009 Madara D23/265
 D590,925 S * 4/2009 Nagle D23/262
 D595,814 S * 7/2009 Pierce D23/262
 D597,635 S * 8/2009 Dole D23/262
 D598,076 S * 8/2009 Dole D23/262
 D598,077 S * 8/2009 Gibb D23/265
 D600,325 S * 9/2009 Porter D23/262
 D600,326 S * 9/2009 Gibb D23/265
 D602,127 S * 10/2009 Shah D23/262
 D608,868 S * 1/2010 Porter D23/262
 D608,869 S * 1/2010 Porter D23/262
 D608,872 S * 1/2010 Porter D23/262
 D609,312 S * 2/2010 Porter D23/262
 D616,532 S * 5/2010 Madara D23/262
 D616,533 S * 5/2010 Bowman D23/262
 D618,312 S * 6/2010 Madara D23/262
 D618,314 S * 6/2010 Bowman D23/262
 D621,917 S * 8/2010 Madara D23/262
 D625,784 S * 10/2010 Bowman D23/262
 D625,785 S * 10/2010 Madara D23/262
 D625,786 S * 10/2010 Bowman D23/262
 D625,788 S * 10/2010 Madara D23/262
 D626,200 S * 10/2010 Bowman D23/262
 D626,202 S * 10/2010 Porter D23/262
 D629,072 S * 12/2010 Madara D23/262
 D629,074 S * 12/2010 Shah D23/262
 D629,076 S * 12/2010 Madara D23/262
 D629,078 S * 12/2010 Dole D23/262
 D629,080 S * 12/2010 Dole D23/262
 D629,082 S * 12/2010 Dole D23/262
 D629,083 S * 12/2010 Dole D23/262
 D629,496 S * 12/2010 Madara D23/262
 D674,059 S * 1/2013 Cuvo D23/262
 D674,063 S * 1/2013 Wilk, Jr. D23/262
 D674,064 S * 1/2013 Dole D23/262

D680,630 S * 4/2013 Beagen, Jr. D23/262
 8,550,502 B2 * 10/2013 Vandal F16L 17/04
 285/112
 D700,835 S * 3/2014 Langlois D8/396
 D711,730 S * 8/2014 McKiernan D8/396
 8,961,340 B2 * 2/2015 Boatwright A63B 60/28
 473/568
 9,039,046 B2 * 5/2015 Beagen, Jr. F16L 17/025
 285/367
 D794,440 S * 8/2017 Papafagos D8/396
 D813,025 S * 3/2018 Yesavage D8/395
 D813,657 S * 3/2018 Bowman D8/395
 D820,074 S * 6/2018 Huettemann D8/394
 D820,076 S * 6/2018 Ramirez D8/396
 D823,443 S * 7/2018 Bancroft D23/262
 10,074,913 B1 * 9/2018 Bussey H01R 4/2412
 D836,184 S * 12/2018 Lippka D23/262
 D836,185 S * 12/2018 Lippka D23/262
 D839,398 S * 1/2019 Lippka D23/262
 D839,399 S * 1/2019 Lippka D23/262
 D846,712 S * 4/2019 Bancroft D23/262
 D846,713 S * 4/2019 Bancroft D23/262
 D846,714 S * 4/2019 Bancroft D23/262
 D850,900 S * 6/2019 Yesavage D8/396
 D858,266 S * 9/2019 Bowman D8/395
 2007/0138351 A1 * 6/2007 Wu F16L 23/06
 248/74.2
 2012/0256415 A1 * 10/2012 Dole F16L 17/04
 285/337
 2013/0249212 A1 * 9/2013 McKiernan F16L 23/10
 285/407
 2014/0327238 A1 * 11/2014 Bowman F16L 17/04
 285/112
 2017/0328500 A1 * 11/2017 Bowman F16L 23/036
 2018/0163905 A1 * 6/2018 Ohnemus F16L 21/005
 2018/0163906 A1 * 6/2018 Ohnemus F16L 17/04

* cited by examiner

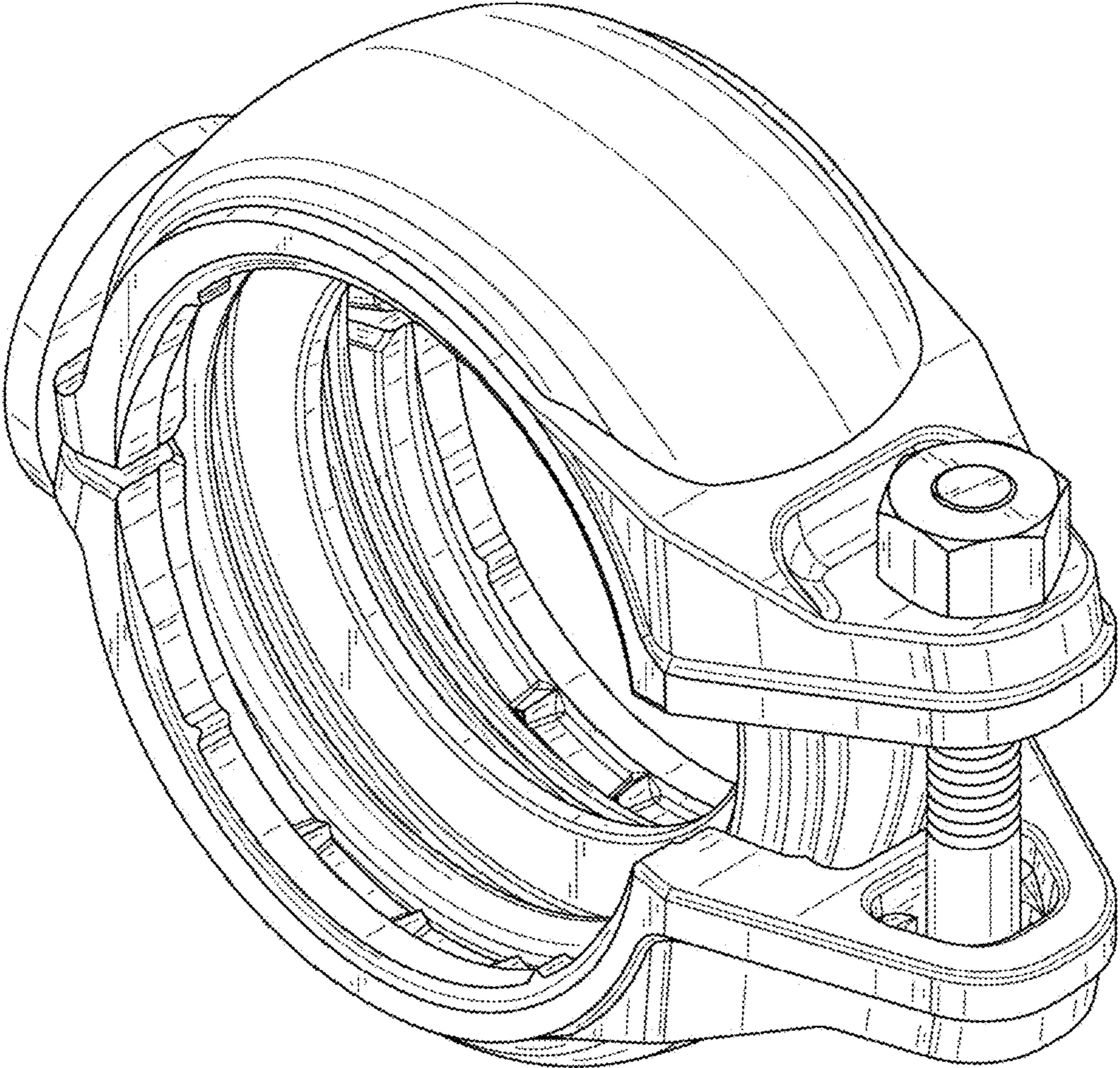


FIG. 1

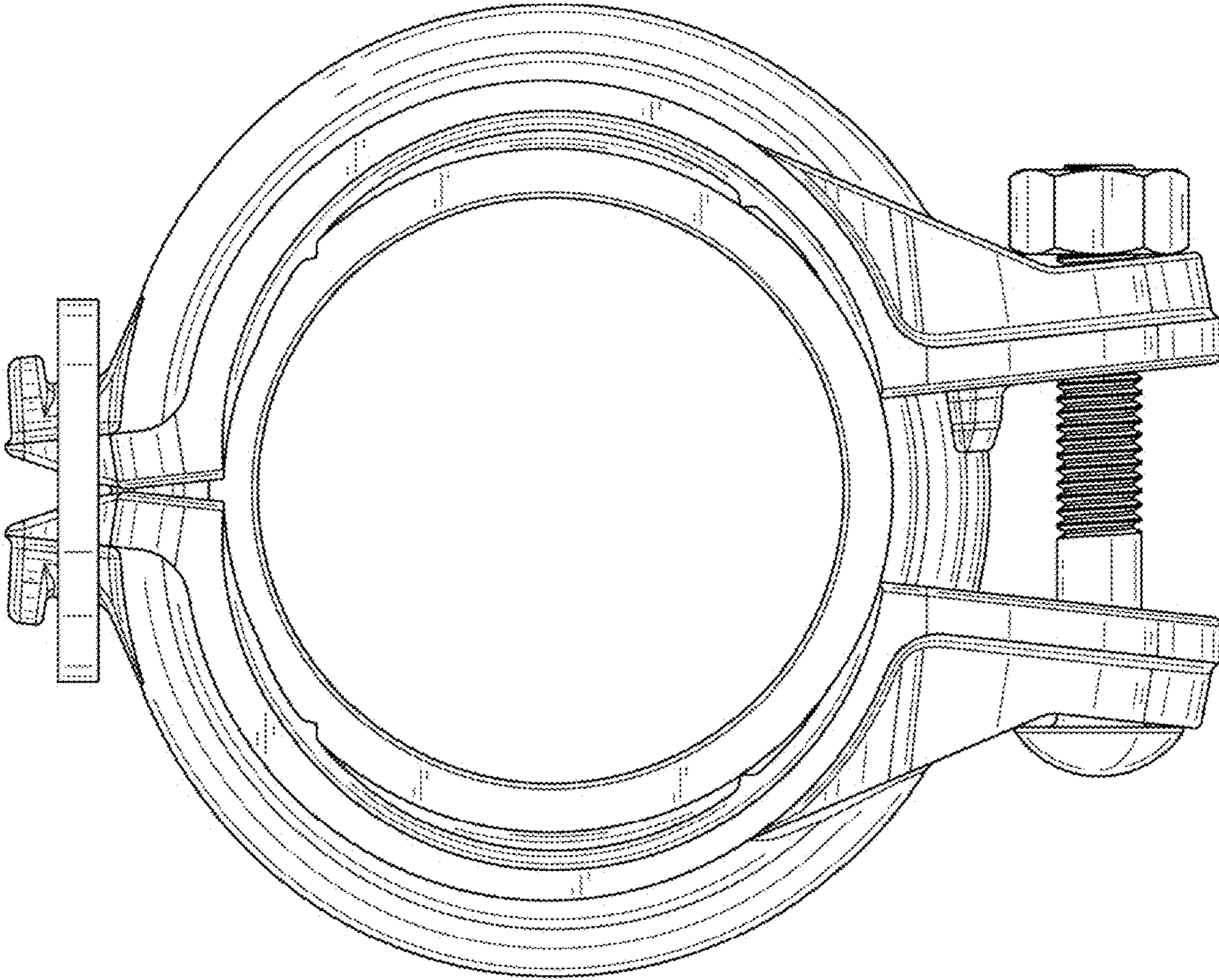


FIG. 2

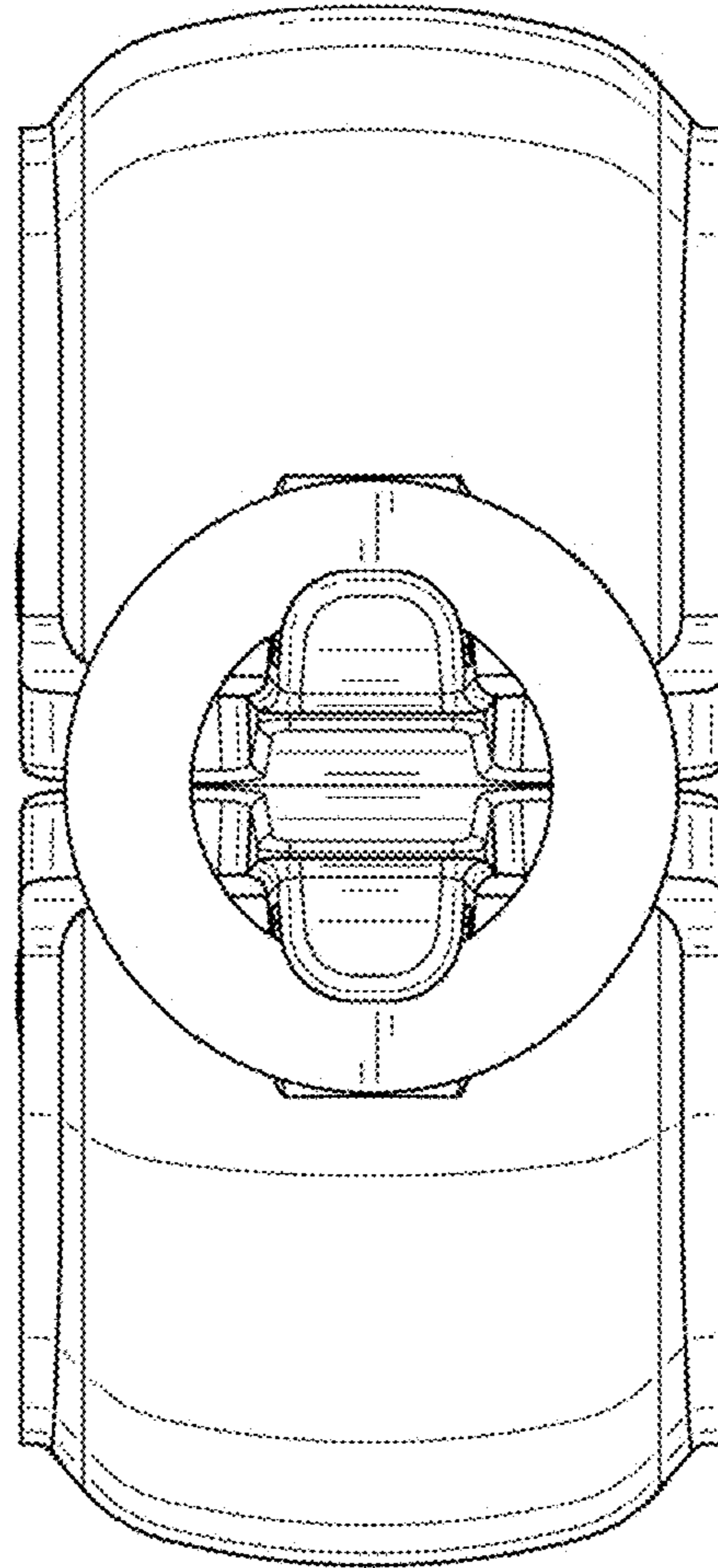


FIG. 3

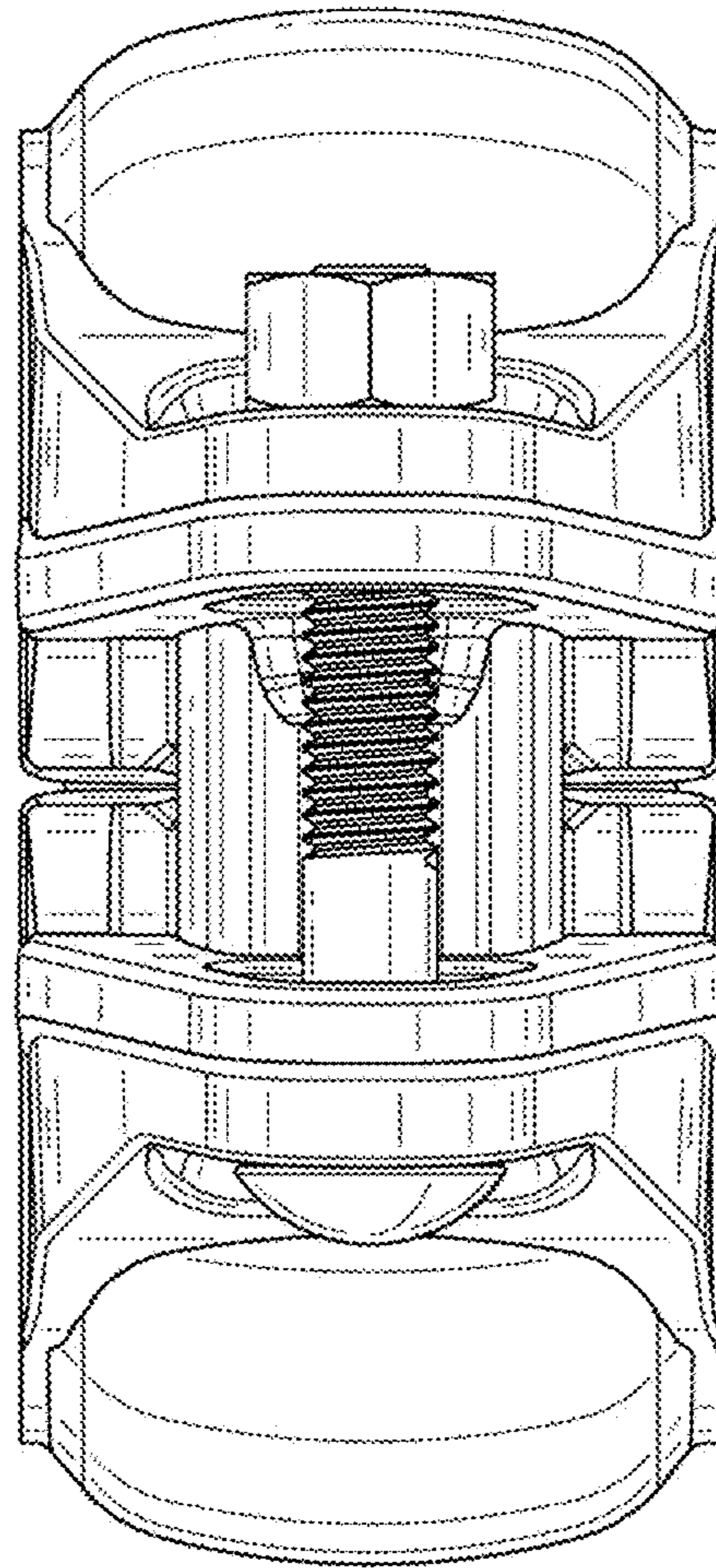


FIG. 4

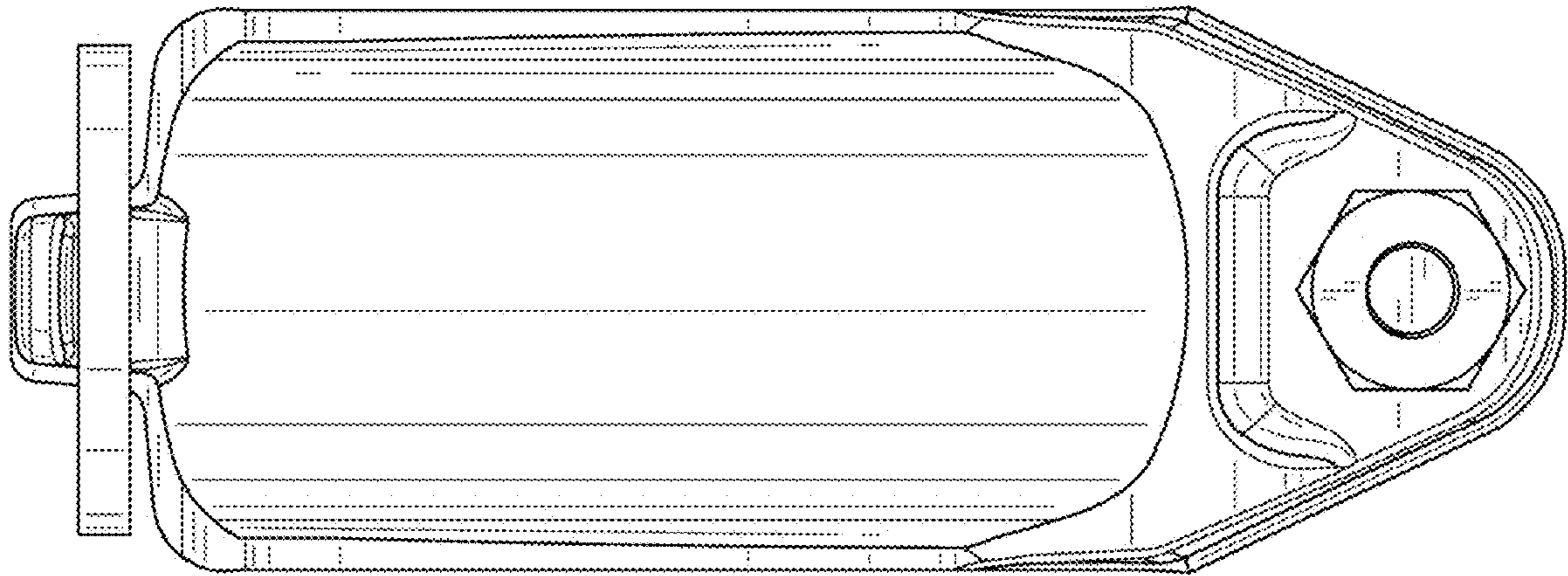


FIG. 5

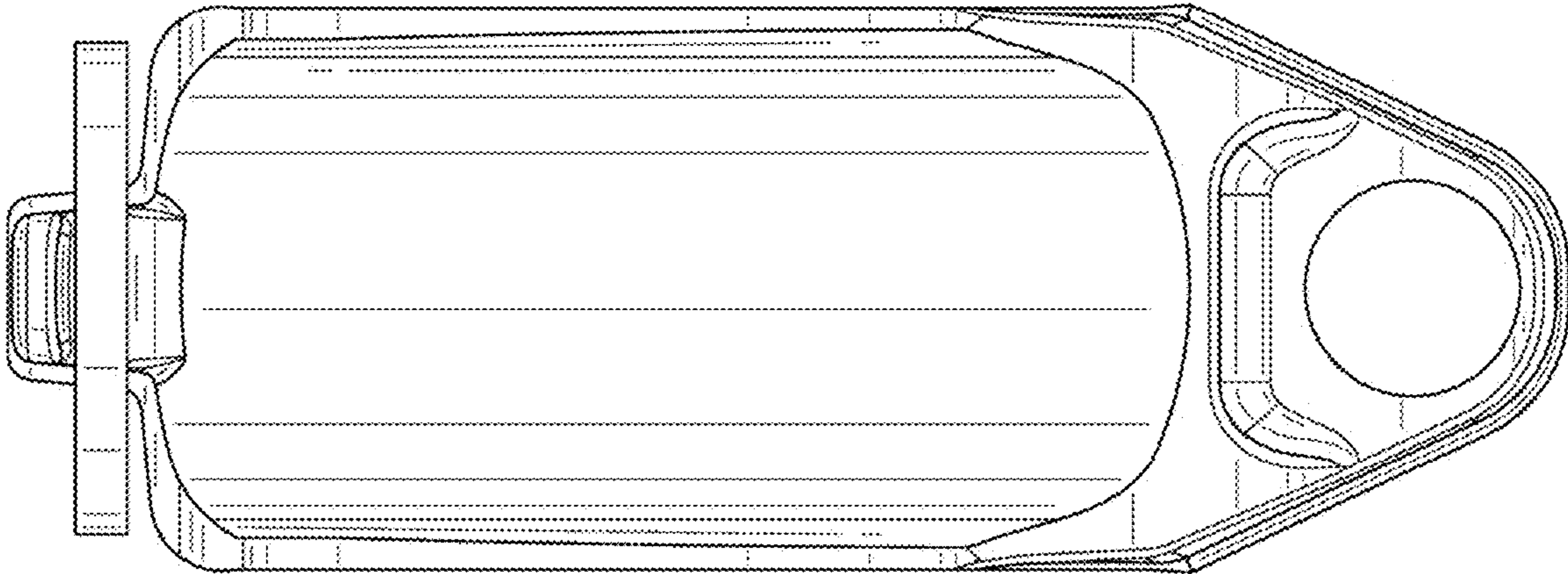


FIG. 6