



US00D876943S

(12) **United States Design Patent**
Genenbacher

(10) **Patent No.:** **US D876,943 S**

(45) **Date of Patent:** **** Mar. 3, 2020**

(54) **REMOVABLE CLAMP FOR DECORATIVE LIGHTS**

(71) Applicant: **Shawn Michael Genenbacher**,
Lubbock, TX (US)

(72) Inventor: **Shawn Michael Genenbacher**,
Lubbock, TX (US)

(**) Term: **15 Years**

(21) Appl. No.: **29/657,949**

(22) Filed: **Jul. 26, 2018**

Related U.S. Application Data

(63) Continuation of application No. 16/045,849, filed on Jul. 26, 2018.

(51) **LOC (12) Cl.** **08-08**

(52) **U.S. Cl.**
USPC **D8/396; D26/138; D8/387**

(58) **Field of Classification Search**
USPC **D8/356, 371, 373, 380, 394-396, 387; D26/138**

CPC . **E04B 9/067; E04B 9/068; E04B 9/12; E04B 9/18; E04B 9/30; E04B 2009/062; E04C 2003/0413; E04C 2003/0439; E04C 2003/046; F21V 21/0885; F21V 21/0965; F21S 4/10**

See application file for complete search history.

(56) **References Cited**

U.S. PATENT DOCUMENTS

D230,826 S * 3/1974 Menshen D8/396
4,089,087 A * 5/1978 Heitman F16L 3/2235
24/329
D260,879 S * 9/1981 Avramovich D13/146
D311,487 S * 10/1990 Platt D8/356
D377,843 S * 2/1997 Schering D26/138
D387,730 S * 12/1997 McCarthy D13/133
D409,125 S * 5/1999 Wang D12/162

D428,601 S * 7/2000 Bianco, Sr. D13/173
D440,948 S * 4/2001 Bianco, Sr. D13/173
D462,604 S * 9/2002 Denton D8/357
D546,762 S * 7/2007 Kovacs D13/134
D599,053 S * 8/2009 Scott D26/138
D676,314 S * 2/2013 Cude D8/396
D734,138 S * 7/2015 Hurrle D8/387
D735,567 S * 8/2015 Kishida D8/387
D763,060 S * 8/2016 Remmel D8/349
9,630,769 B2 4/2017 Schultz
D802,407 S * 11/2017 Foerster, Jr. D8/387

(Continued)

Primary Examiner — John Windmuller

(74) *Attorney, Agent, or Firm* — Vincent J. Allen;
Carstens & Cahoon, LLP

(57) **CLAIM**

The ornamental design for a removable clamp for decorative lights, as shown and described.

DESCRIPTION

FIG. 1 is a perspective view of a removable clamp for decorative lights;

FIG. 2 is a front view of the removable clamp for decorative lights;

FIG. 3 is a back view of the removable clamp for decorative lights;

FIG. 4 is a right side view of the removable clamp for decorative lights;

FIG. 5 is a left side view of the removable clamp for decorative lights;

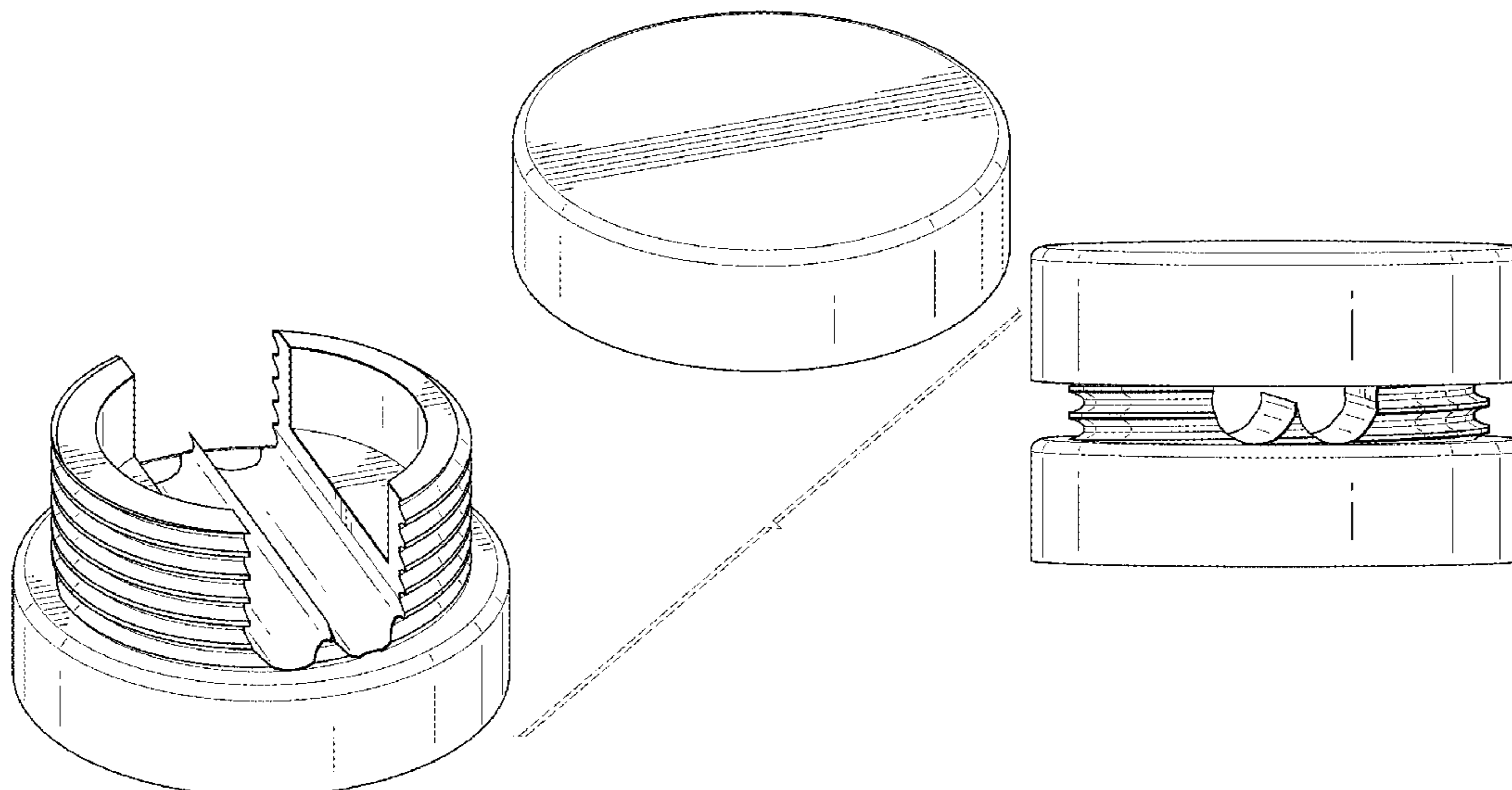
FIG. 6 is a top view of the removable clamp for decorative lights;

FIG. 7 is a bottom view of the removable clamp for decorative lights;

FIG. 8 is a perspective view of a removable clamp for decorative lights; and,

FIG. 9 is a perspective view of the removable clamp for decorative lights in a closed position.

1 Claim, 8 Drawing Sheets



(56)

References Cited

U.S. PATENT DOCUMENTS

D818,185 S *	5/2018	Wilson	D26/138
2011/0038159 A1	2/2011	Carlson	
2012/0069587 A1	3/2012	Holland	
2012/0280098 A1	11/2012	Rinck	
2016/0230966 A1	8/2016	DeFrancesco et al.	

* cited by examiner

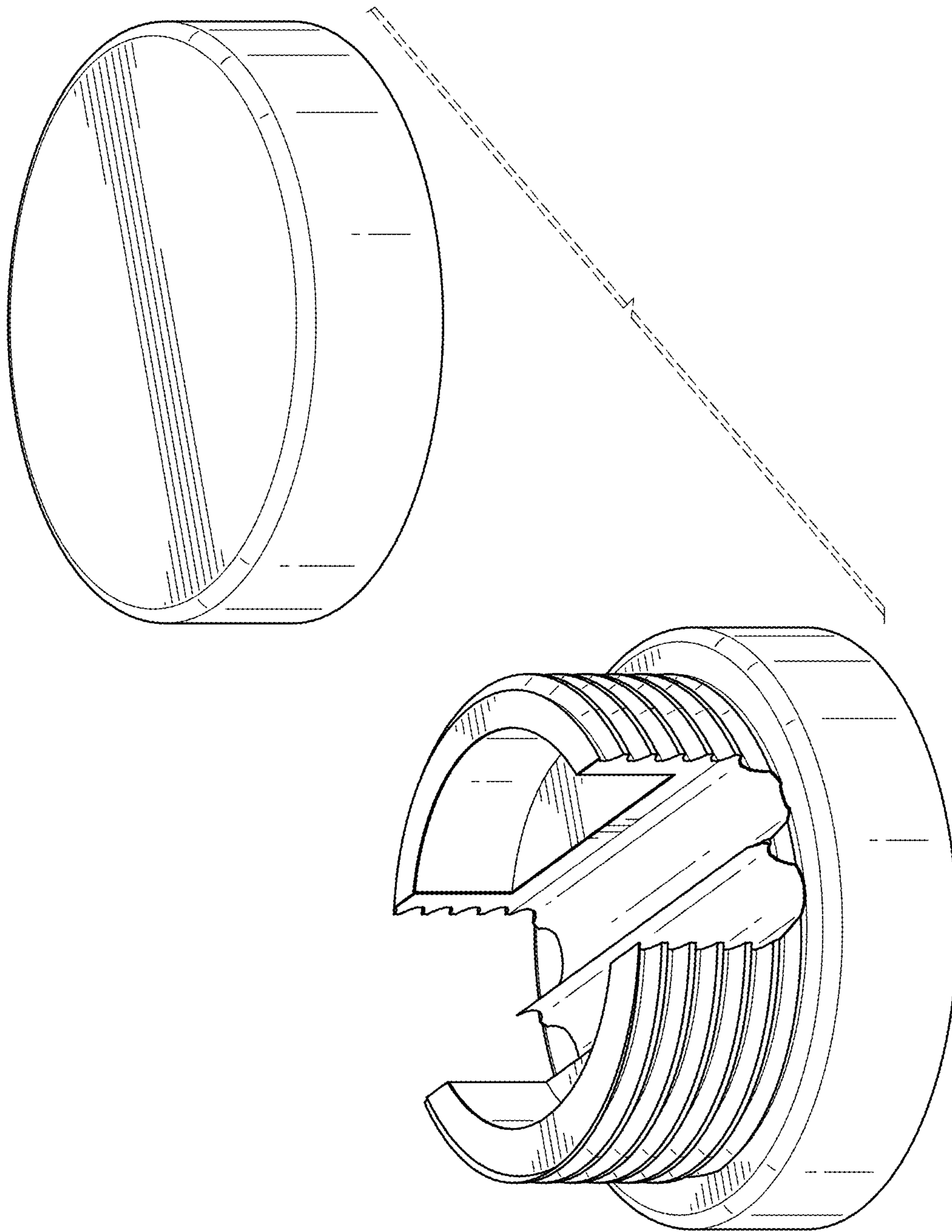


FIG. 1

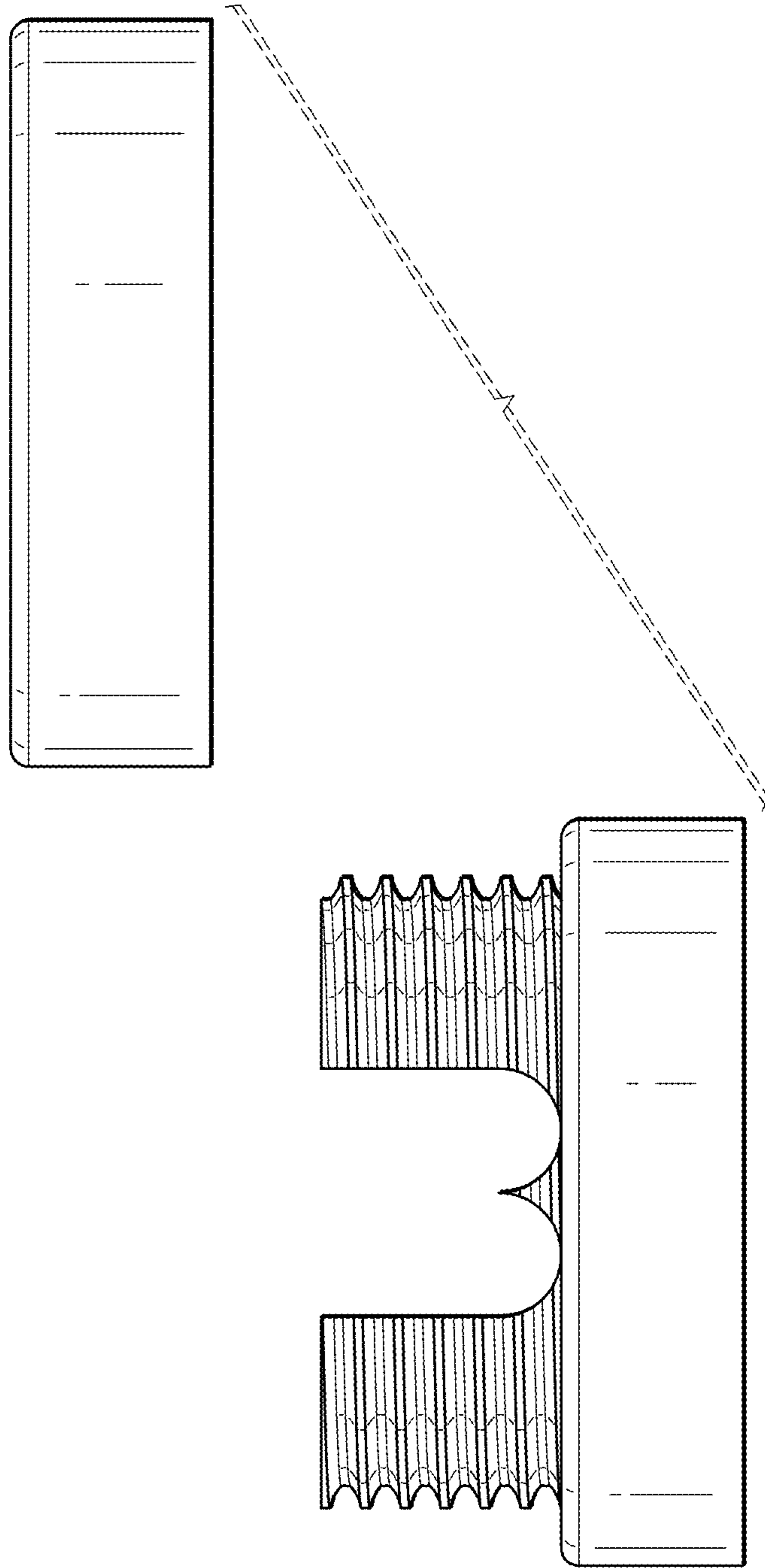


FIG. 2

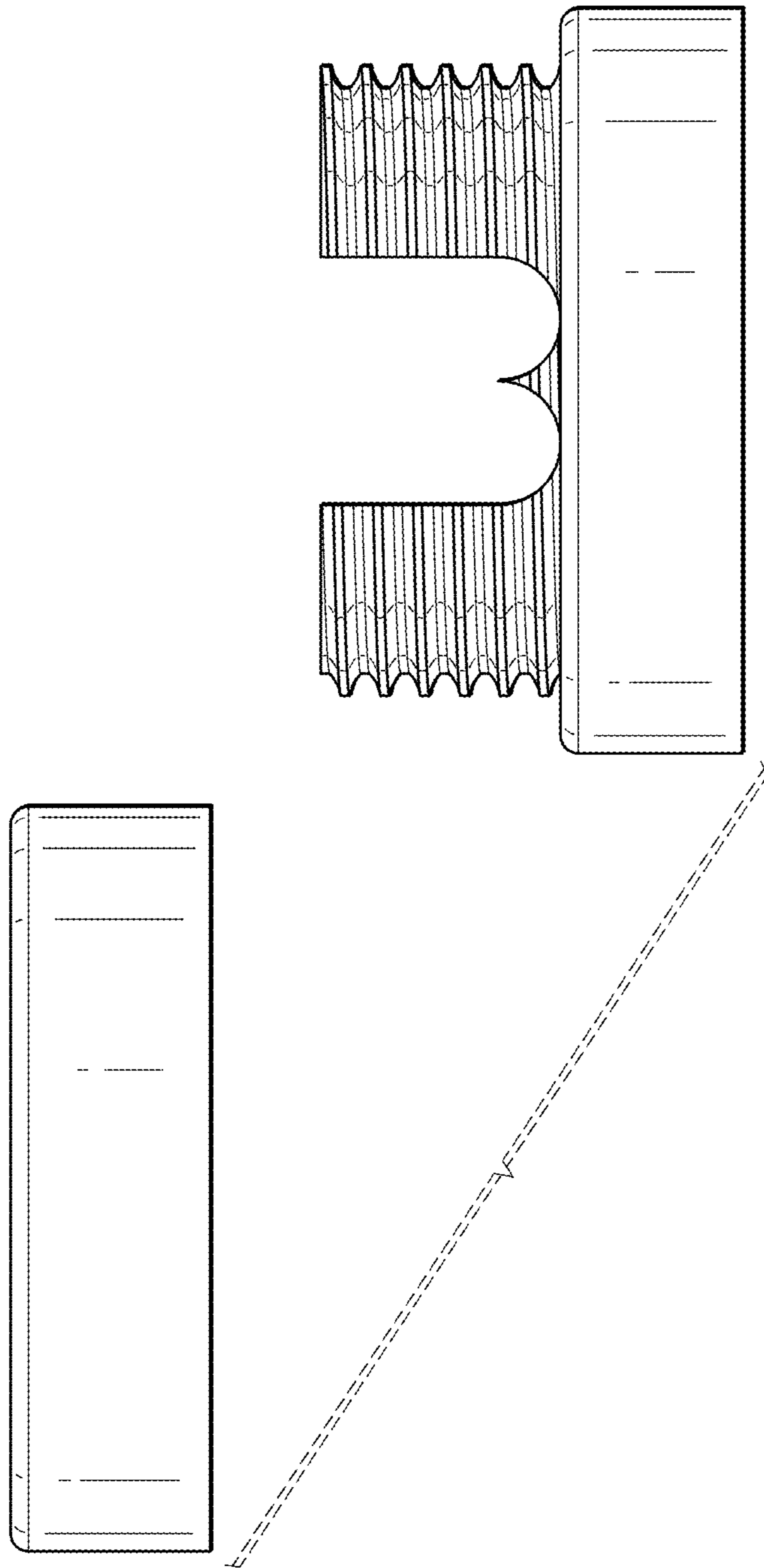


FIG. 3

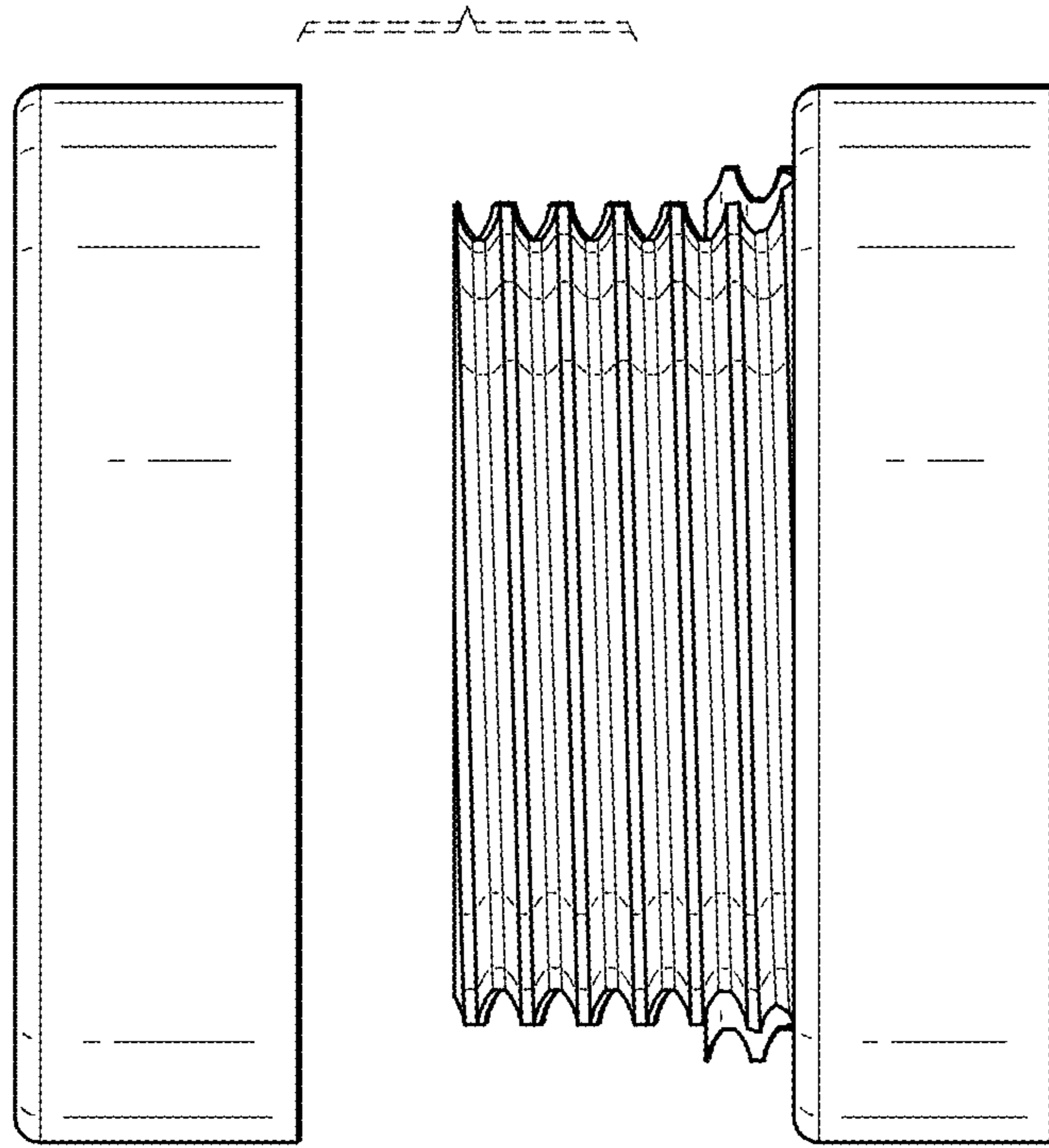


FIG. 5

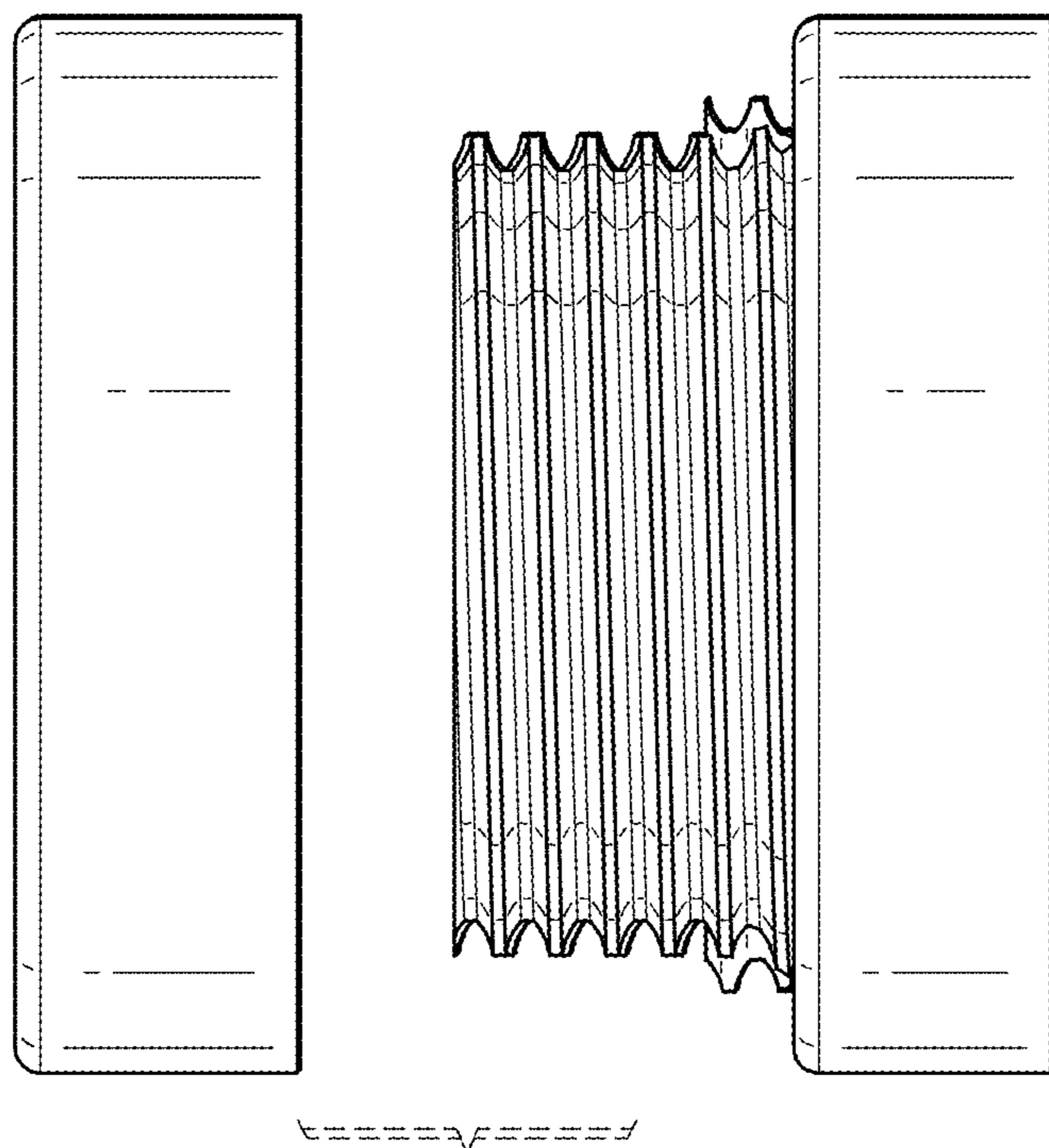


FIG. 4

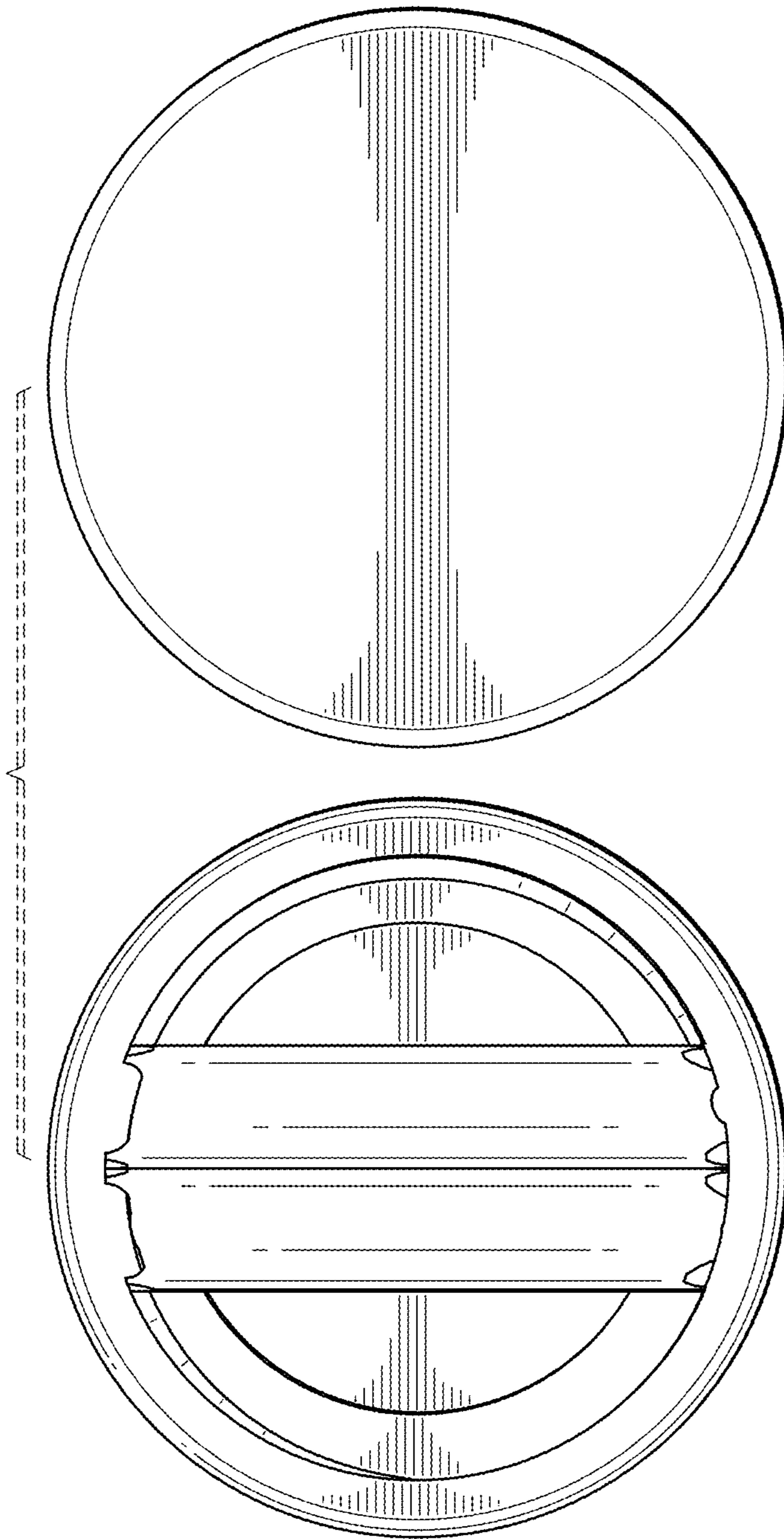


FIG. 6

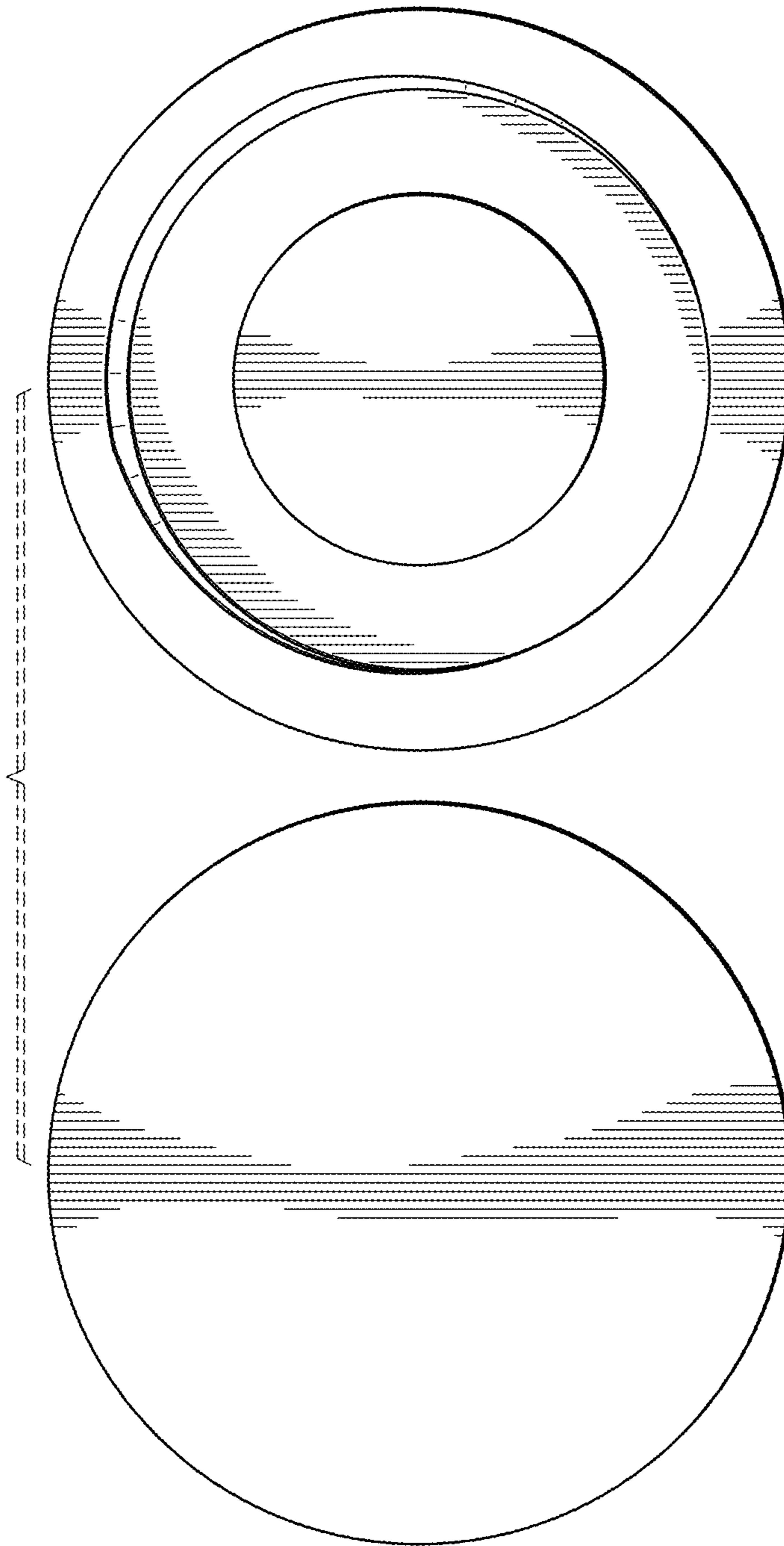


FIG. 7

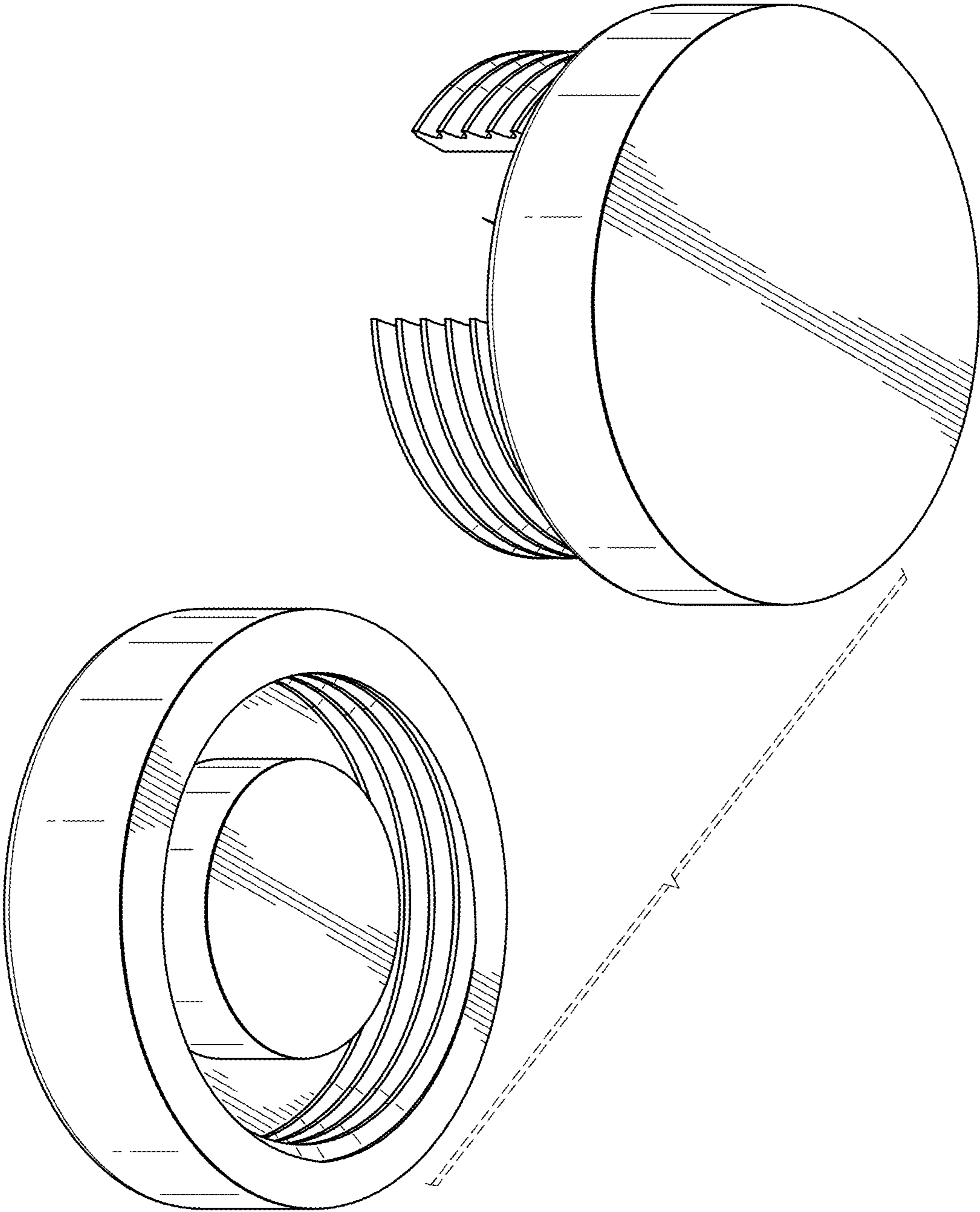


FIG. 8

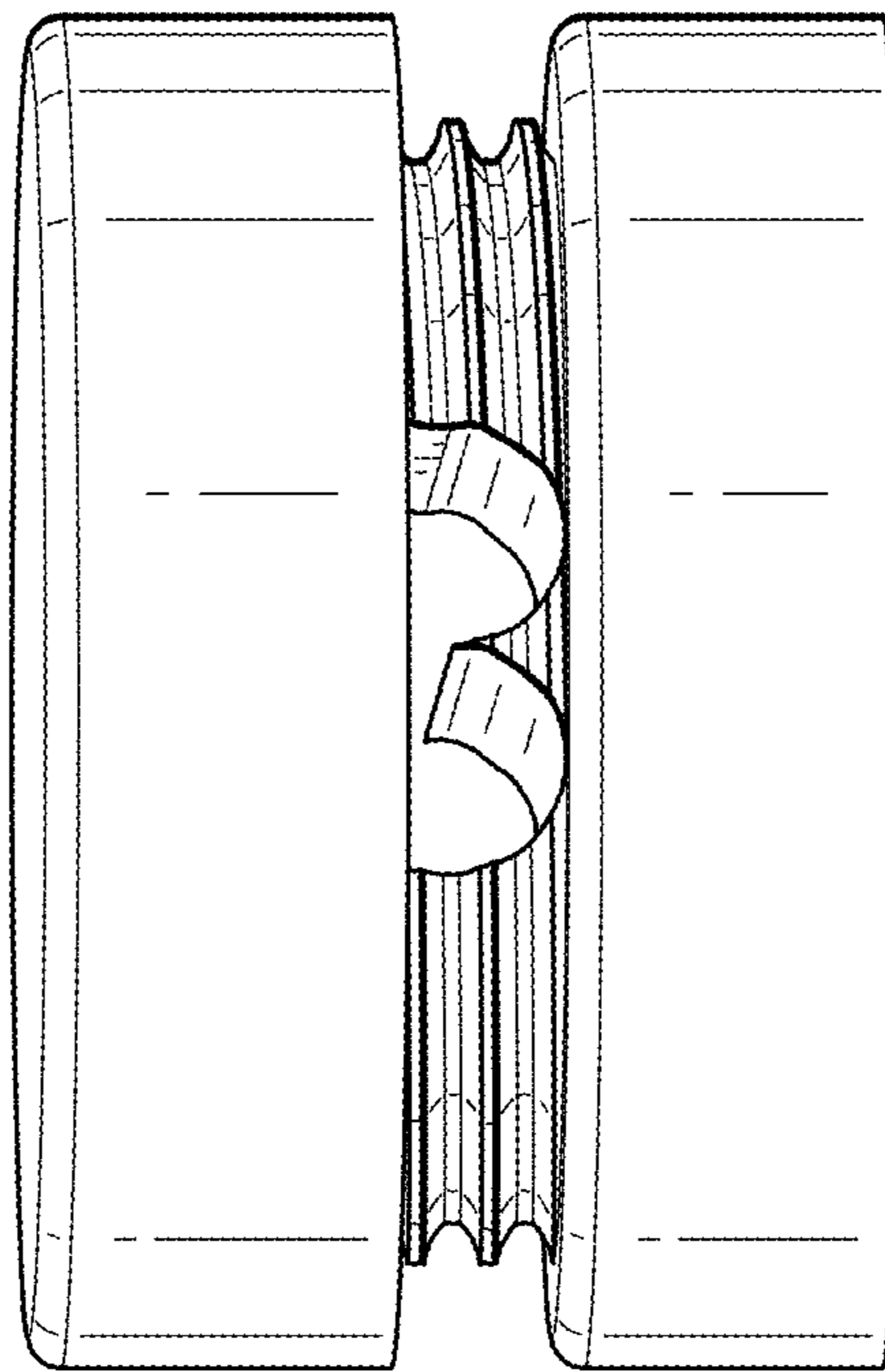


FIG. 9