



US00D876942S

(12) **United States Design Patent**
Kuhl

(10) **Patent No.:** **US D876,942 S**
(45) **Date of Patent:** **** Mar. 3, 2020**

- (54) **CLIP**
- (71) Applicant: **Steven S. Kuhl**, Hopkins, MN (US)
- (72) Inventor: **Steven S. Kuhl**, Hopkins, MN (US)
- (**) Term: **15 Years**
- (21) Appl. No.: **29/635,493**
- (22) Filed: **Jan. 31, 2018**
- (51) **LOC (12) Cl.** **08-08**
- (52) **U.S. Cl.**
USPC **D8/394**
- (58) **Field of Classification Search**
USPC D8/394-396, 367; D28/42; D26/85, 26;
D21/451-453
CPC B25B 5/16; B25B 7/14; A61F 2/46; A61M
39/28; E04H 17/16
See application file for complete search history.

- D653,940 S * 2/2012 Yasher D8/395
- D670,159 S * 11/2012 Bitarchas D8/394
- D736,612 S * 8/2015 Sickler, Jr. D8/396
- D738,713 S * 9/2015 Volin D8/394
- D769,707 S * 10/2016 Roentz D8/396
- D781,571 S * 3/2017 Moerer D3/215
- D789,778 S * 6/2017 White, Sr. D26/138
- D806,529 S * 1/2018 Olenick D8/399
- D811,869 S * 3/2018 Gallion D8/394
- D820,664 S * 6/2018 Allen D8/354
- D839,994 S * 2/2019 Cole D23/249
- D847,623 S * 5/2019 Caron D8/396
- D861,471 S * 10/2019 Ild D8/394

(56) **References Cited**

U.S. PATENT DOCUMENTS

- D222,430 S * 10/1971 Millar D8/373
- D261,775 S * 11/1981 Valigura D27/161
- 4,363,432 A * 12/1982 Warthen A45F 5/02
206/87
- D303,159 S * 8/1989 Heath D27/172
- D317,252 S * 6/1991 Rumpel D8/395
- D340,183 S * 10/1993 Rumpel D8/349
- D350,216 S * 8/1994 Heaton D27/144
- D354,677 S * 1/1995 Troyer D26/138
- D370,559 S * 6/1996 Arndt D3/229
- D393,923 S * 4/1998 Dimonekas D27/183
- D443,387 S * 6/2001 Torres D27/161
- D513,171 S * 12/2005 Richardson D25/133
- D521,232 S * 5/2006 Andre D3/218
- D526,743 S * 8/2006 Battista, III D19/197
- 7,568,250 B2 * 8/2009 Menard-Flanagan
B25H 3/006
24/3.12
- D603,781 S * 11/2009 Jimenez B60R 11/00
D12/223
- D603,898 S * 11/2009 Rommel D19/172

OTHER PUBLICATIONS

Erico Caddy Combination Box/Conduit Hanger, Rexel USA, www.rexelusa.com/...eam/Erico-Caddy-812MB18-Combination-Box-Conduit-Hanger%2C-Drop-Wire-Rod-Beam%2C-1-2%22-or-3-4%22/p/113318?prevPageNumber=2, site visited Nov. 5, 2019.*

* cited by examiner

Primary Examiner — Lilyana Bekic

Assistant Examiner — John R Yeh

(74) *Attorney, Agent, or Firm* — Vidas Arrett & Steinkraus P.A.

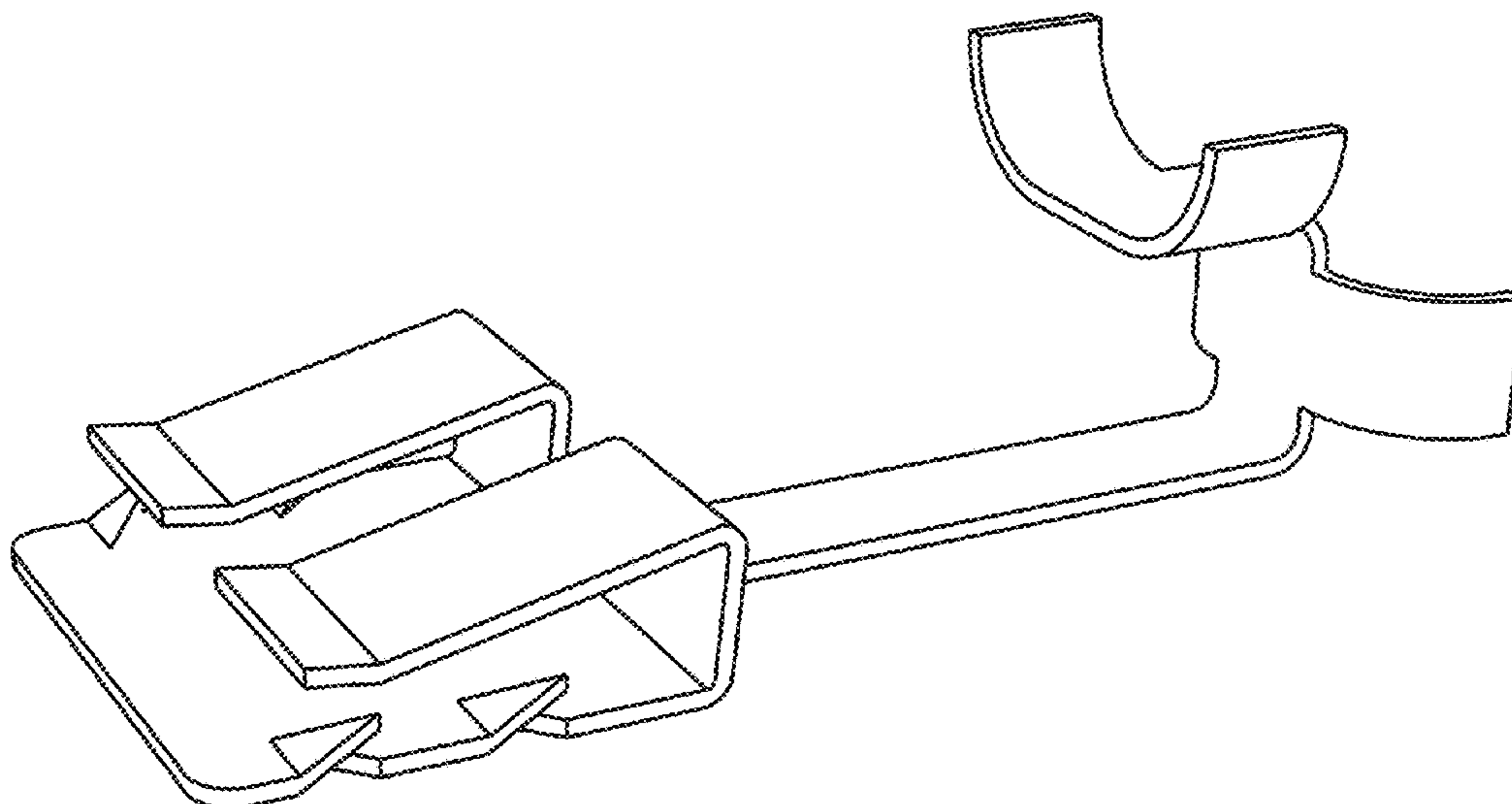
(57) **CLAIM**

The ornamental design for a clip, as shown and described.

DESCRIPTION

FIG. 1 is a top view of my design for a clip;
FIG. 2 is a bottom view thereof
FIG. 3 is a left view thereof
FIG. 4 is a right view thereof
FIG. 5 is a front view thereof
FIG. 6 is a back view thereof; and,
FIG. 7 is a back, right and top perspective view thereof.

1 Claim, 7 Drawing Sheets



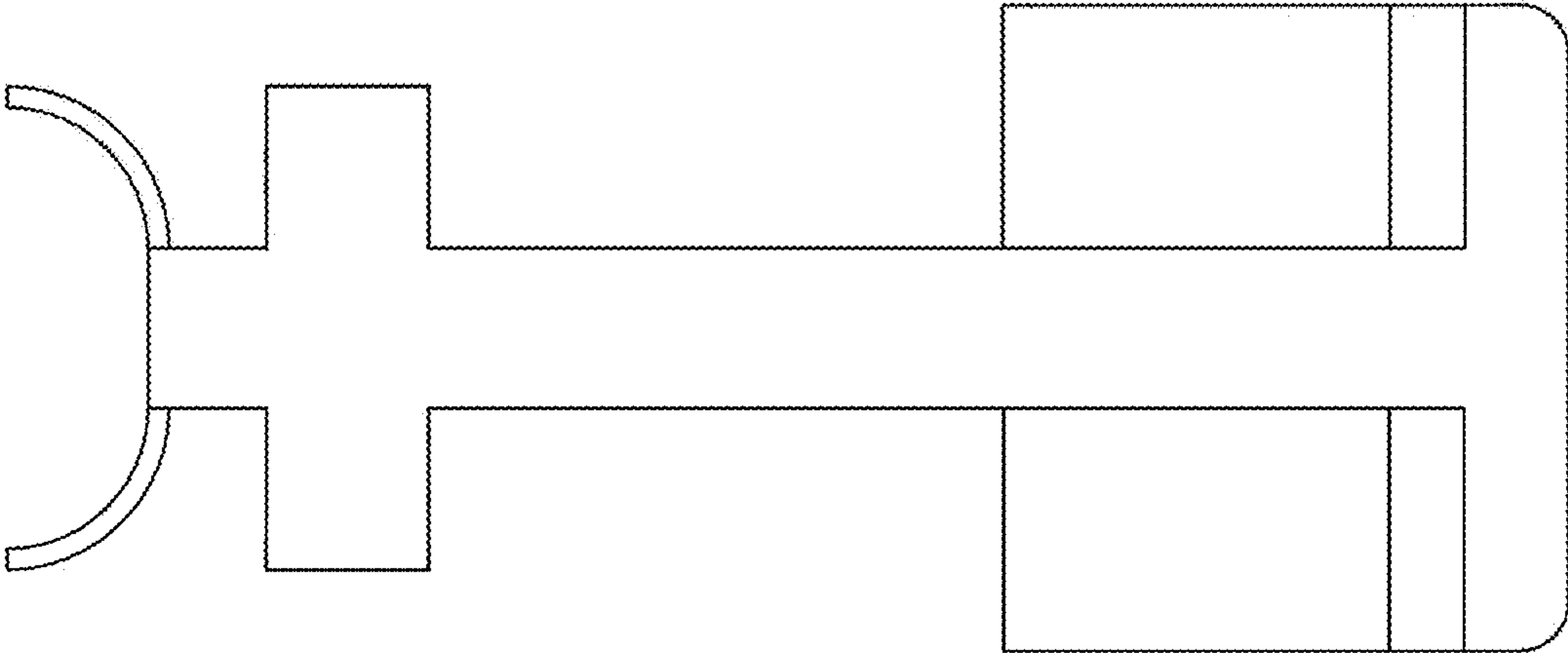


Fig. 1

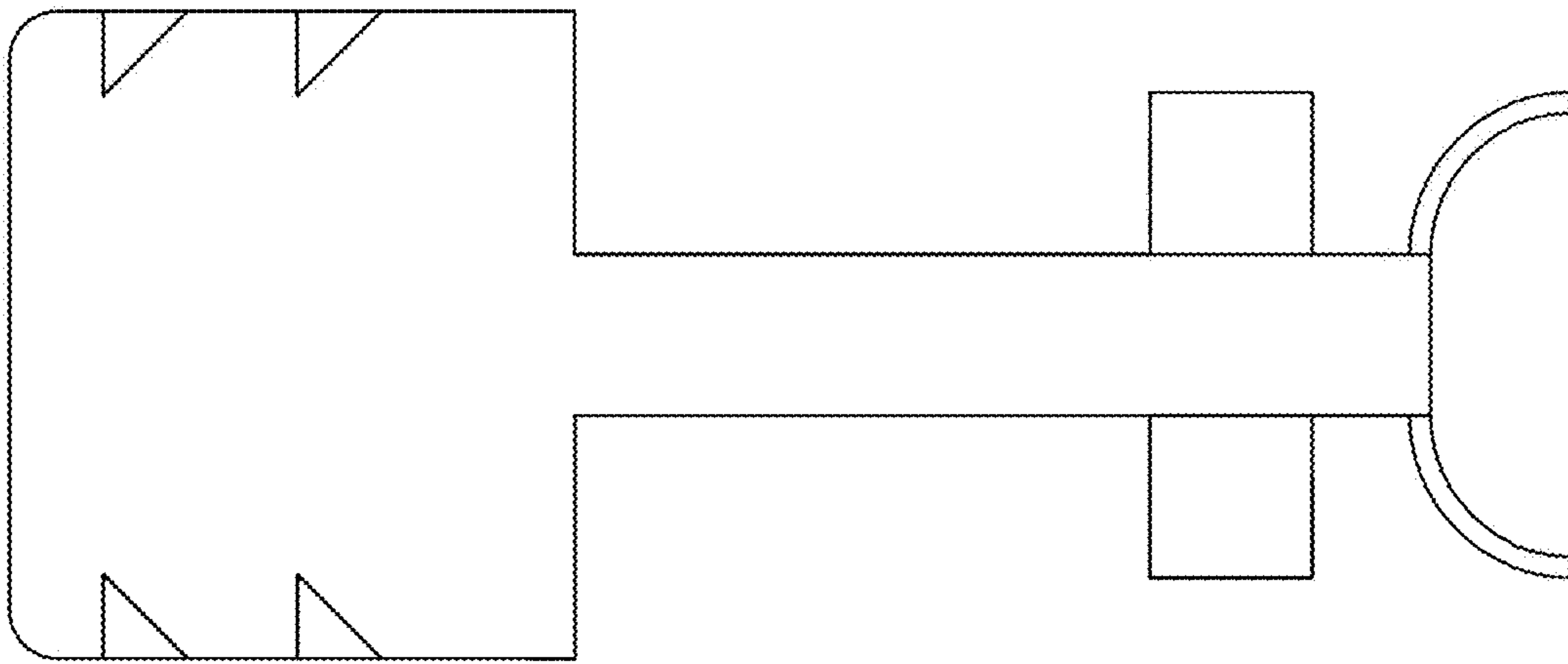


Fig. 2

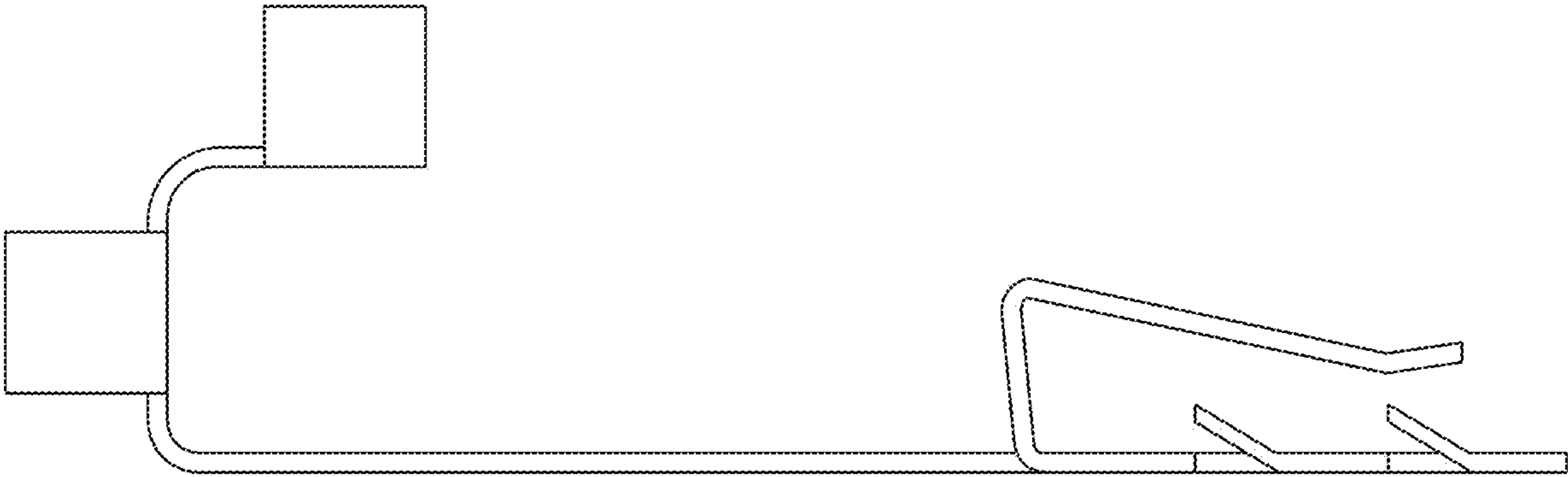


Fig. 3

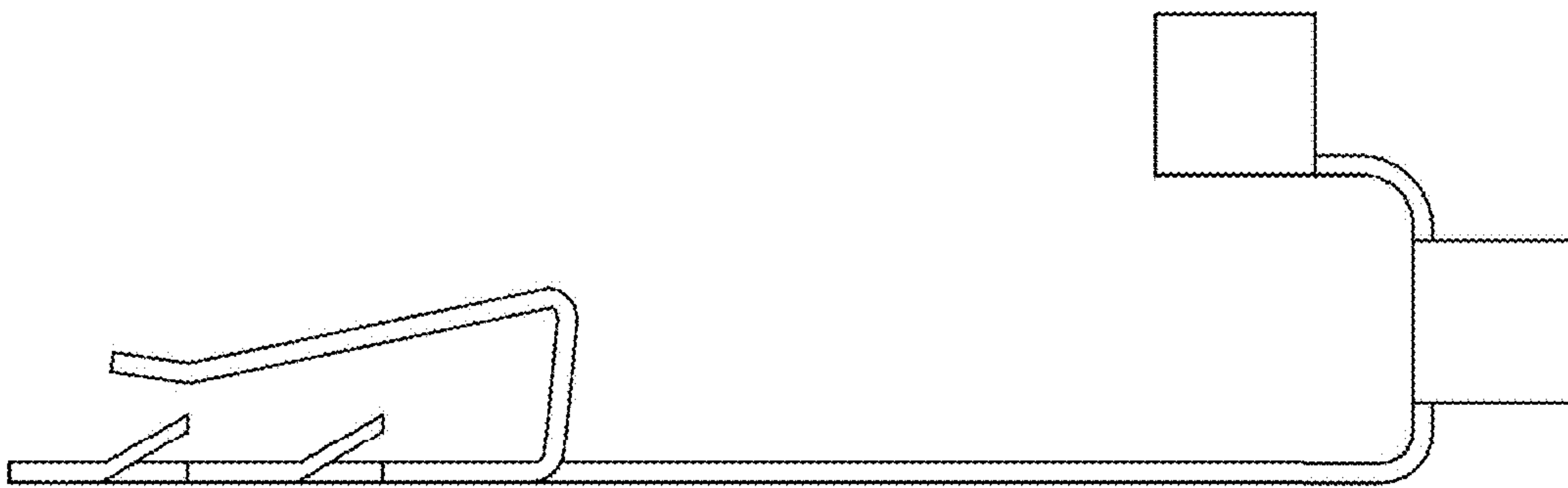


Fig. 4

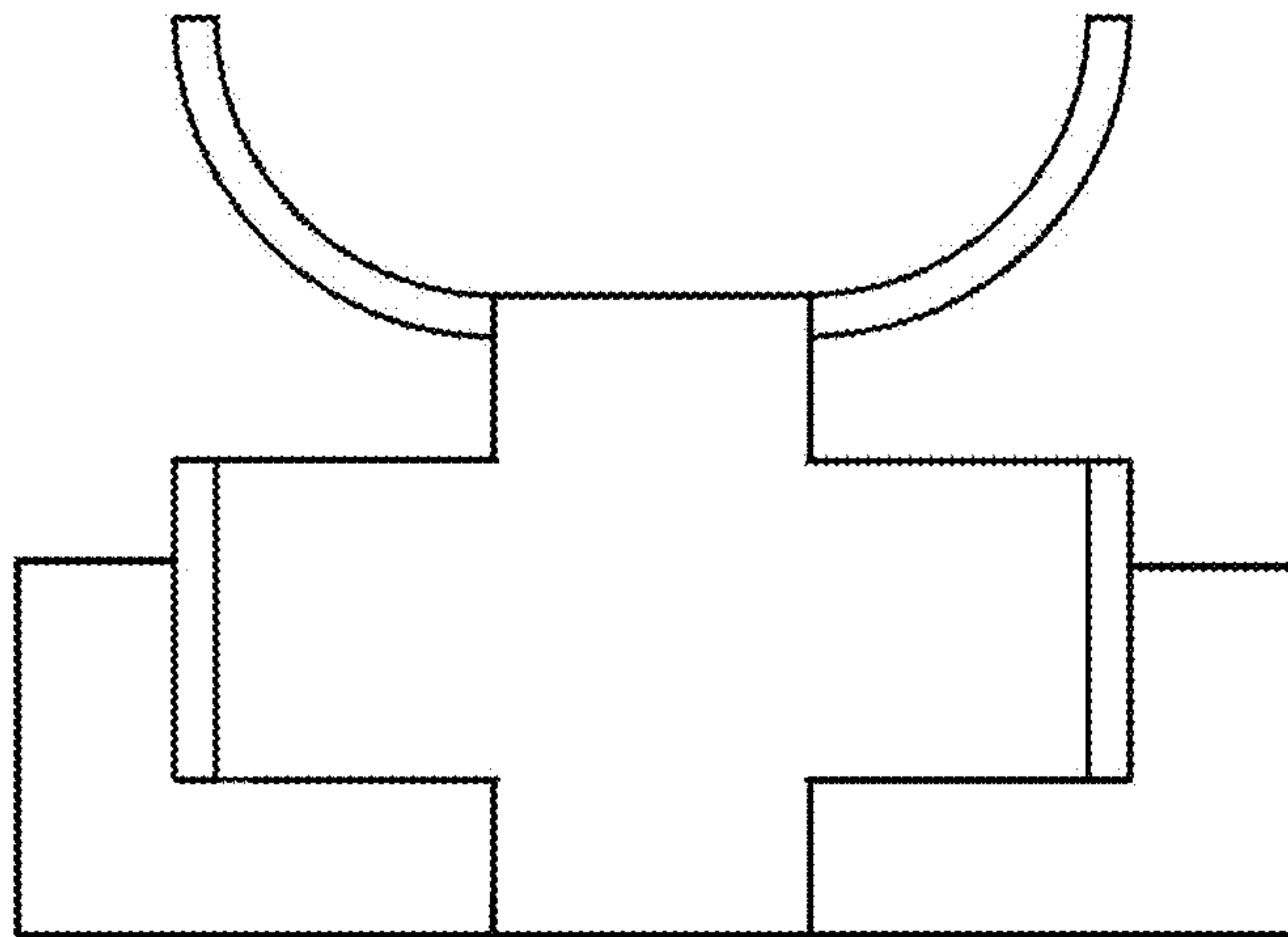


Fig. 5

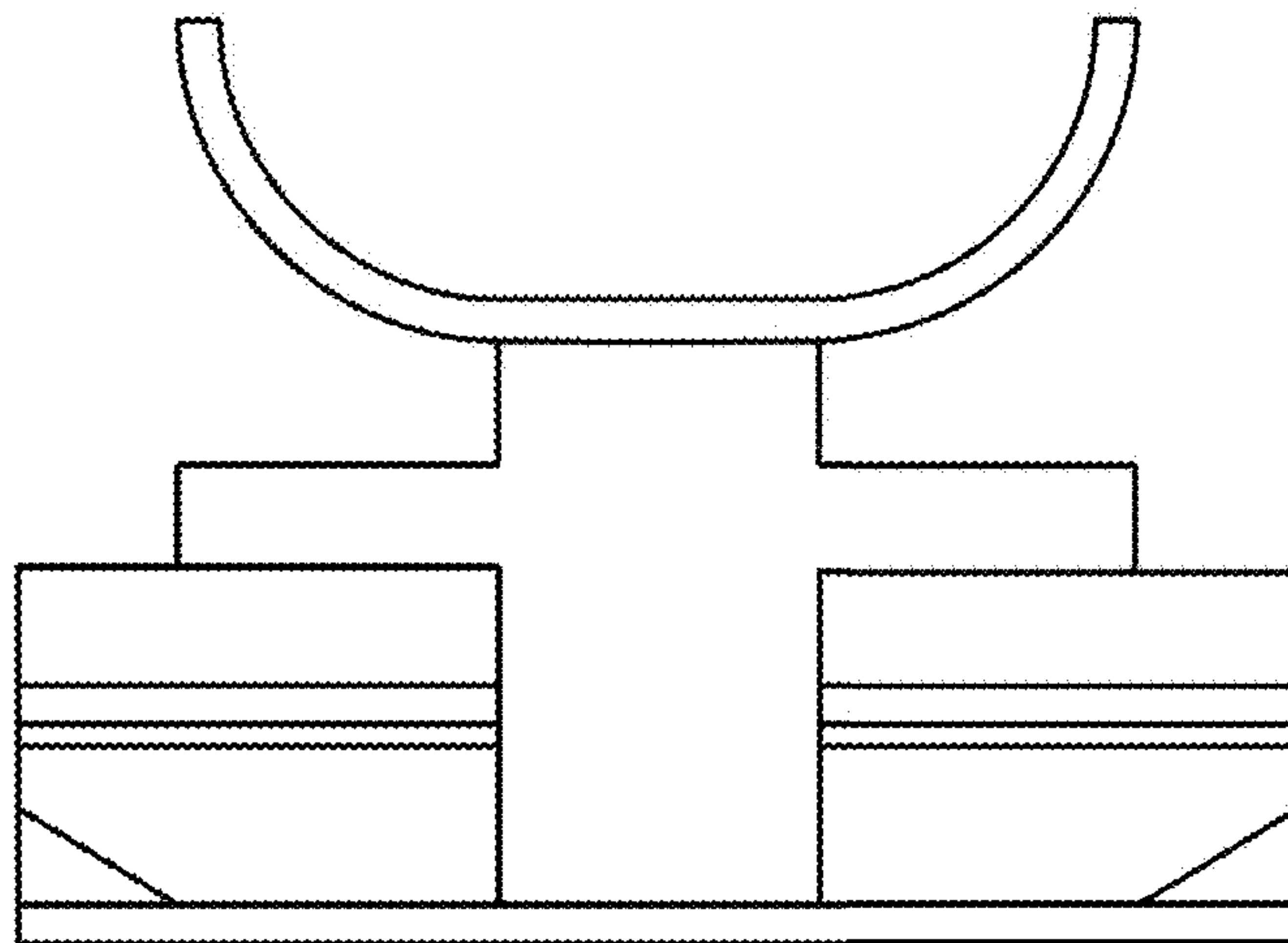


Fig. 6

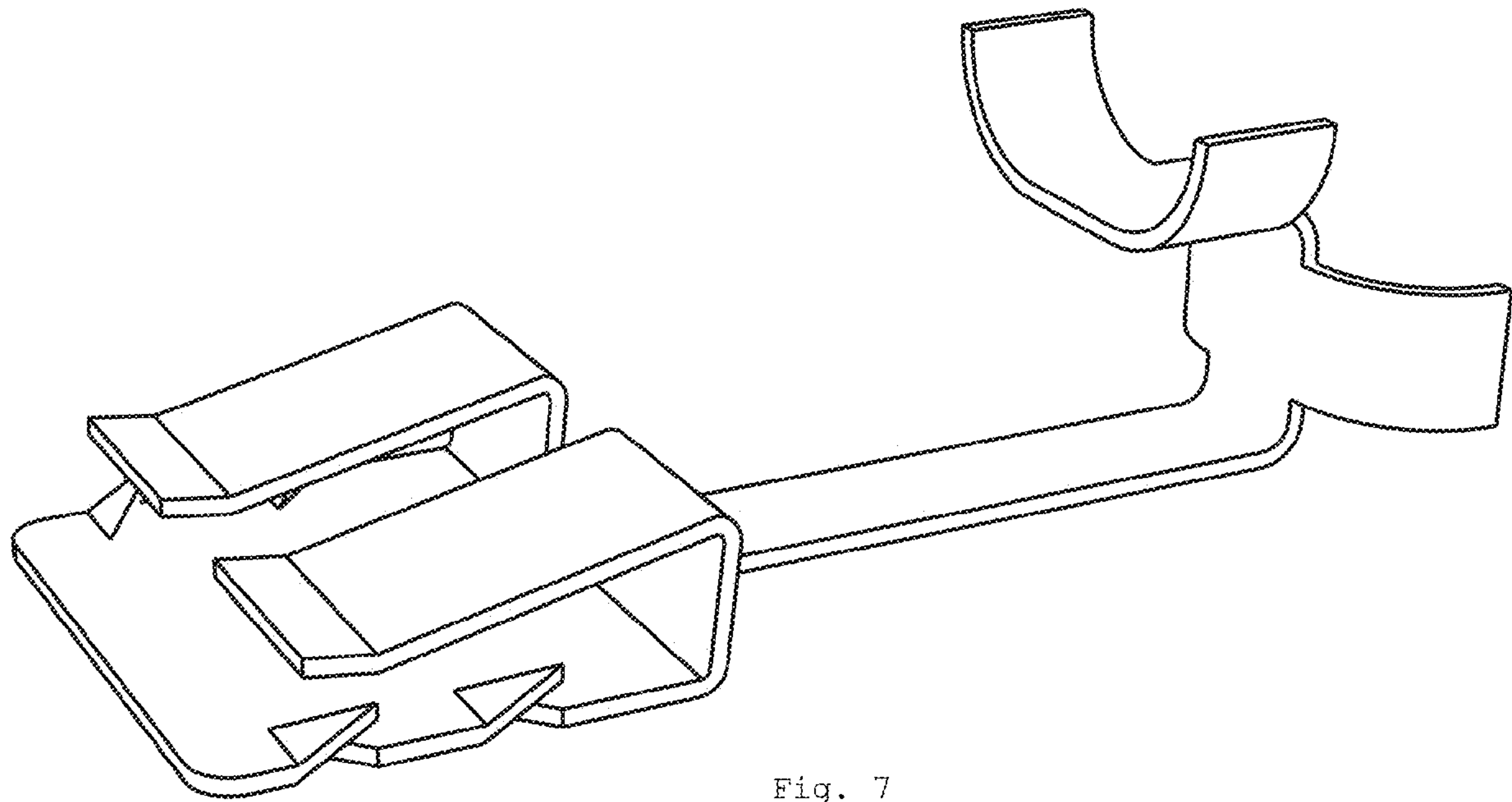


Fig. 7

UNITED STATES PATENT AND TRADEMARK OFFICE
CERTIFICATE OF CORRECTION

PATENT NO. : D876,942 S
APPLICATION NO. : 29/635493
DATED : March 3, 2020
INVENTOR(S) : Kuhl

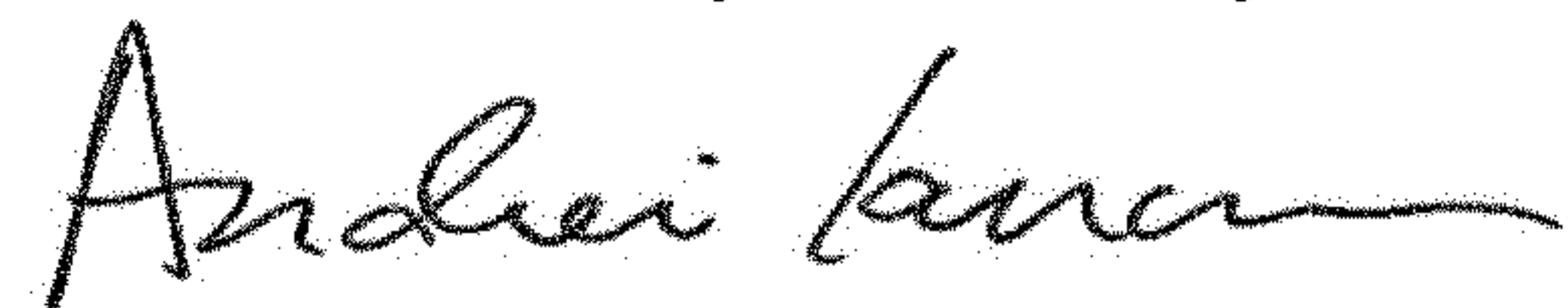
Page 1 of 2

It is certified that error appears in the above-identified patent and that said Letters Patent is hereby corrected as shown below:

In the Drawings

Sheet 1 of 7: Please delete Fig. 1 and replace with the attached Replacement Drawing.

Signed and Sealed this
Nineteenth Day of January, 2021



Andrei Iancu
Director of the United States Patent and Trademark Office

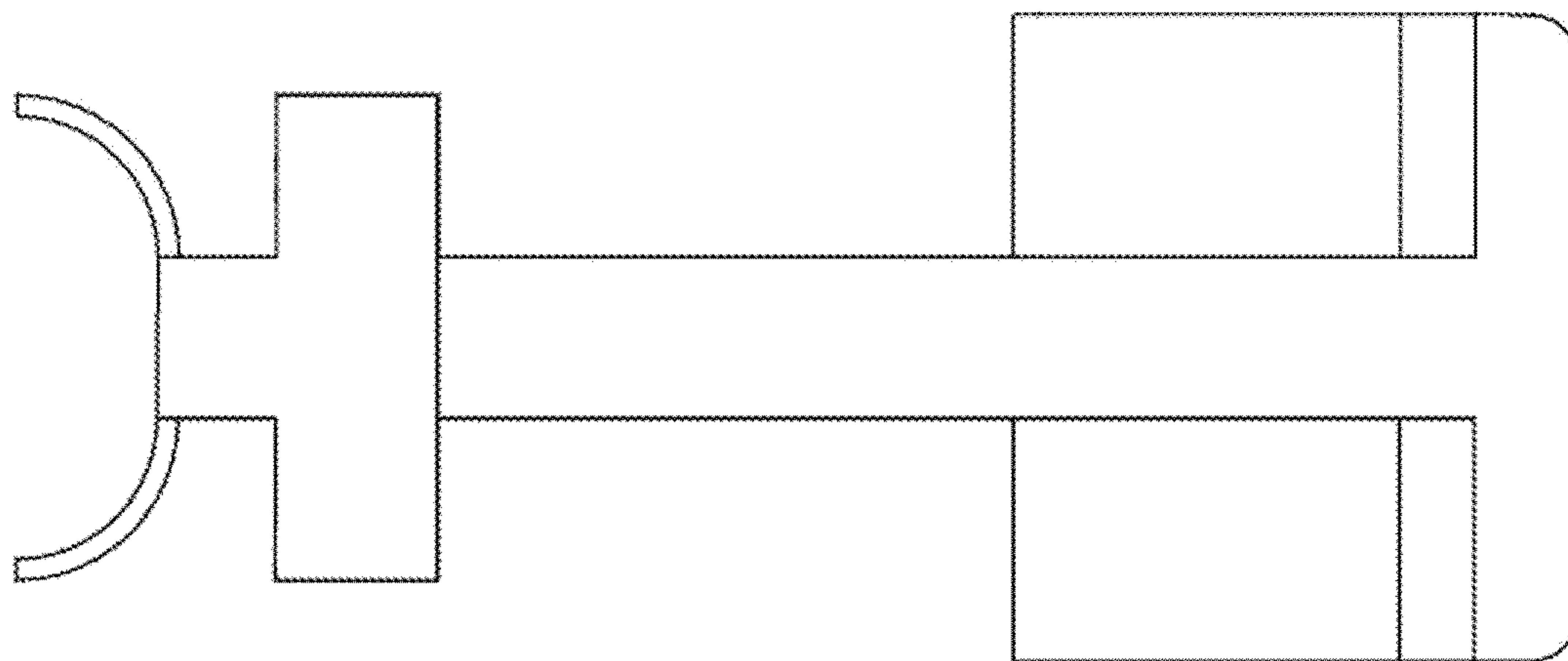


Fig. 1