



US00D876939S

(12) **United States Design Patent** (10) **Patent No.:** **US D876,939 S**  
**Spangler et al.** (45) **Date of Patent:** **\*\* Mar. 3, 2020**

- (54) **COMBINATION REBAR POSITIONER AND FASTENER**
- (71) Applicants: **Ray A. Spangler**, Anchorage, AK (US);  
**Patina L. Sidner**, Athens, GA (US)
- (72) Inventors: **Ray A. Spangler**, Anchorage, AK (US);  
**Patina L. Sidner**, Athens, GA (US)
- (\*\*) Term: **15 Years**
- (21) Appl. No.: **29/657,125**
- (22) Filed: **Jul. 19, 2018**

D330,846 S *	11/1992	Woolledge .....	D8/354
D405,682 S *	2/1999	Suher .....	D8/370
D436,026 S *	1/2001	Luther, Sr. ....	D8/395
6,802,495 B1 *	10/2004	Schmidt .....	E04H 17/10
			17/10
D599,646 S *	9/2009	Meyers .....	D8/370
D672,227 S *	12/2012	Hendricks .....	D8/394
D672,228 S *	12/2012	Hendricks .....	D8/394
D673,031 S *	12/2012	Hendricks .....	D8/394
D699,556 S *	2/2014	Hendricks .....	D8/354
D706,617 S *	6/2014	Hendricks .....	D8/354
D711,214 S *	8/2014	Spangler .....	D8/382
D746,670 S *	1/2016	Spangler .....	D8/382
D793,844 S *	8/2017	Kim .....	D8/349
D793,845 S *	8/2017	Kim .....	D8/349
D800,537 S *	10/2017	Harris .....	D8/354

(Continued)

**Related U.S. Application Data**

- (62) Division of application No. 29/608,194, filed on Jun. 20, 2017, now Pat. No. Des. 844,420.
- (51) **LOC (12) Cl.** ..... **08-08**
- (52) **U.S. Cl.**  
USPC ..... **D8/382**
- (58) **Field of Classification Search**  
USPC ..... D8/16, 21, 31, 71, 88, 349, 354, 363,  
D8/366, 367, 368, 370, 371, 382, 394,  
D8/499  
CPC ..... E04C 5/16; E04C 5/18; E04C 5/20  
See application file for complete search history.

**References Cited**

**U.S. PATENT DOCUMENTS**

D28,889 S *	6/1898	Forbes .....	D8/382
D34,533 S *	5/1901	Brockelbank .....	D8/349
3,296,670 A *	1/1967	Burnett .....	F16G 11/046
			24/131 R
4,517,864 A *	5/1985	Fratta .....	H01R 43/22
			81/436
D285,645 S *	9/1986	Fratta .....	D8/21
D310,955 S *	10/1990	Platten .....	D8/382
D330,290 S *	10/1992	Edwards .....	D6/323

**FOREIGN PATENT DOCUMENTS**

JP	D1071028	*	5/2000
JP	D1555115	*	8/2016
JP	D1555116	*	8/2016

*Primary Examiner* — Leanne Was-Englehart

(74) *Attorney, Agent, or Firm* — Michael J. Tavella

(57) **CLAIM**

The ornamental design for a combination rebar positioner and fastener, as shown and described.

**DESCRIPTION**

FIG. 1 is a perspective view of a first embodiment of a combination rebar positioner and fastener, showing my new design;

FIG. 2 is a front elevation thereof;

FIG. 3 is right side elevation view thereof;

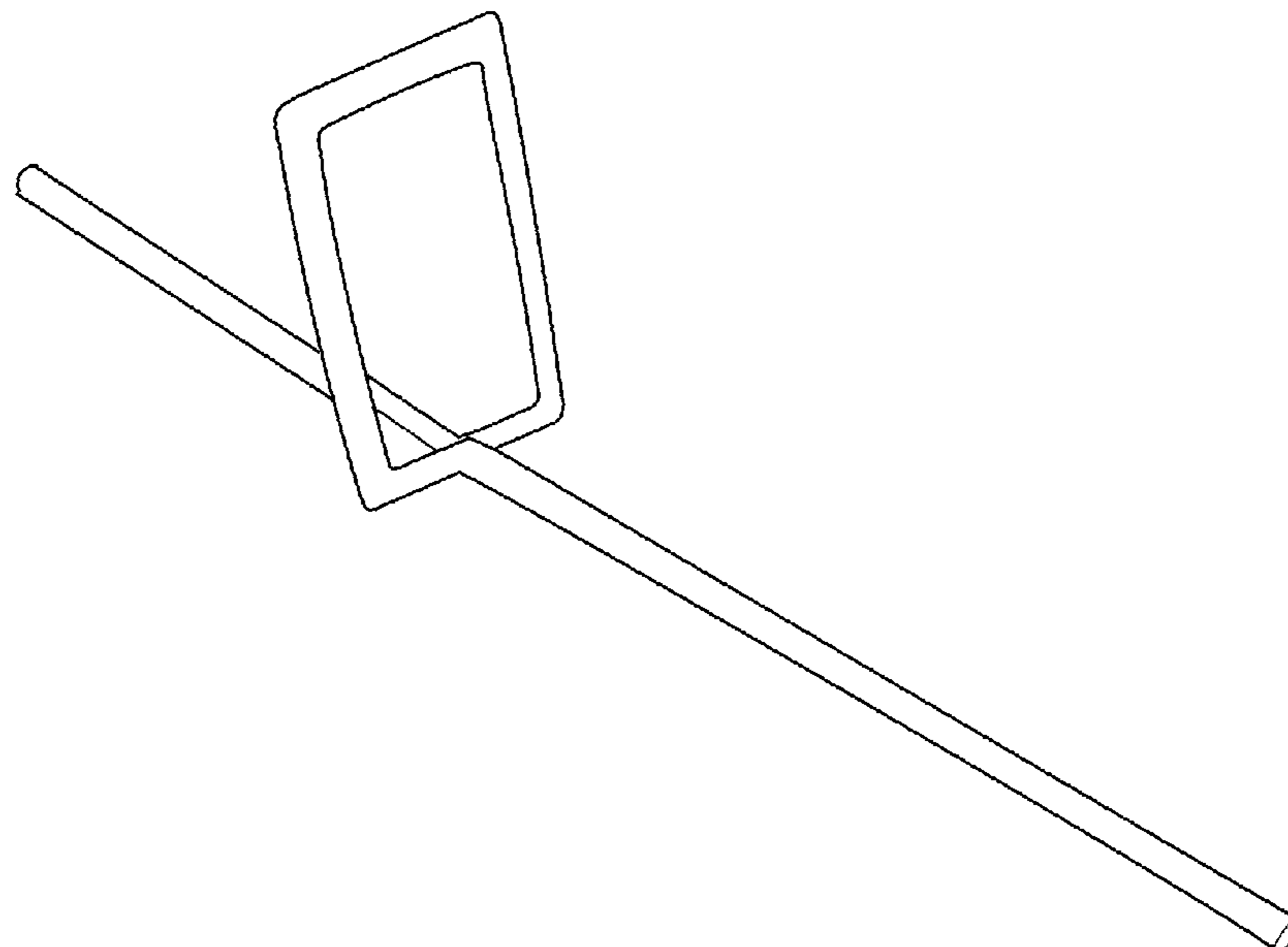
FIG. 4 is a bottom plan view thereof;

FIG. 5 is a top plan view thereof

FIG. 6 is a left side elevation view thereof; and,

FIG. 7 is a rear elevation thereof.

**1 Claim, 6 Drawing Sheets**



(56)

**References Cited**

U.S. PATENT DOCUMENTS

D801,159 S \* 10/2017 Turbenson ..... D8/367  
2017/0254086 A1 \* 9/2017 Larkin ..... E04C 5/18

\* cited by examiner

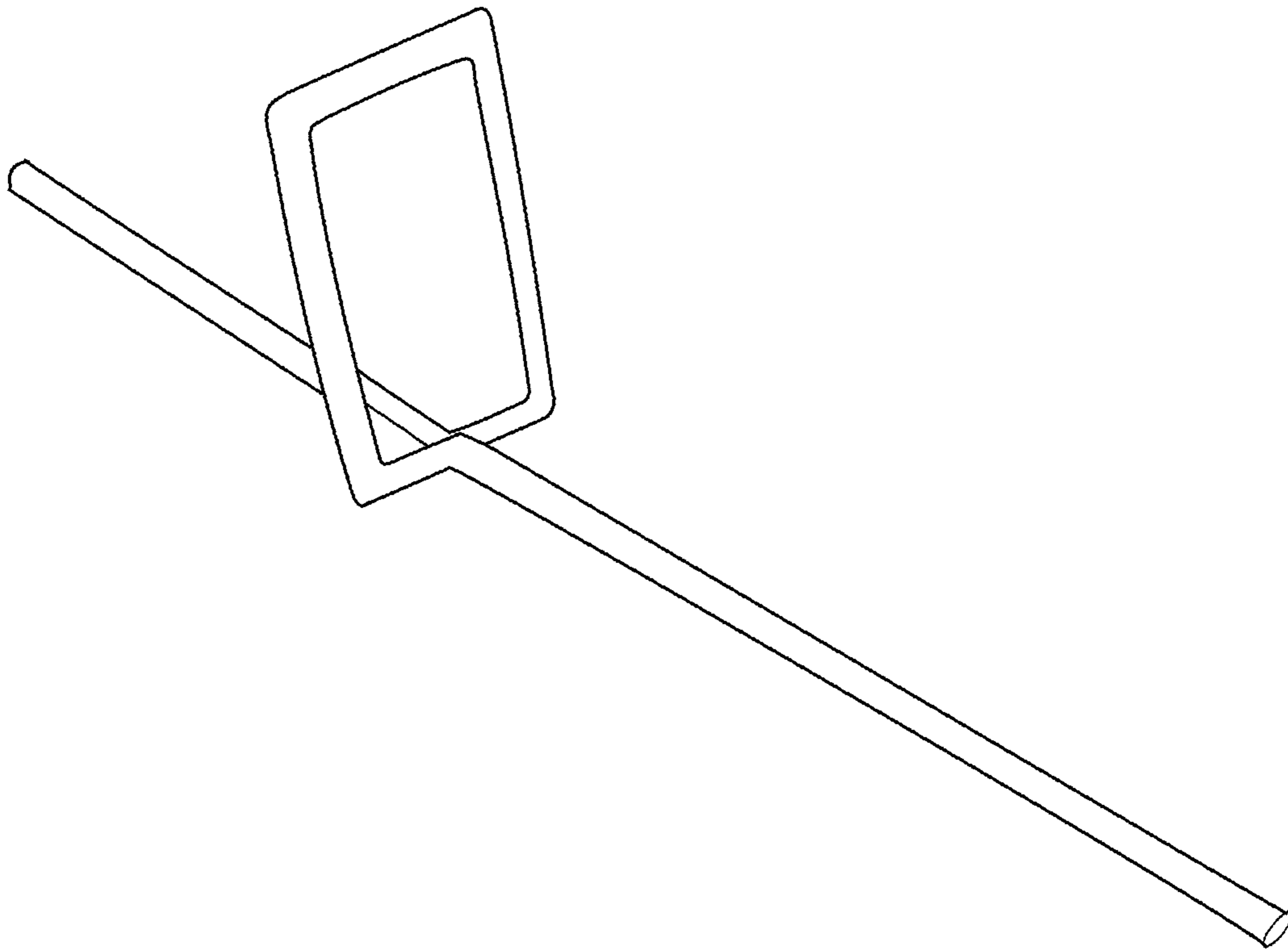


FIG. 1

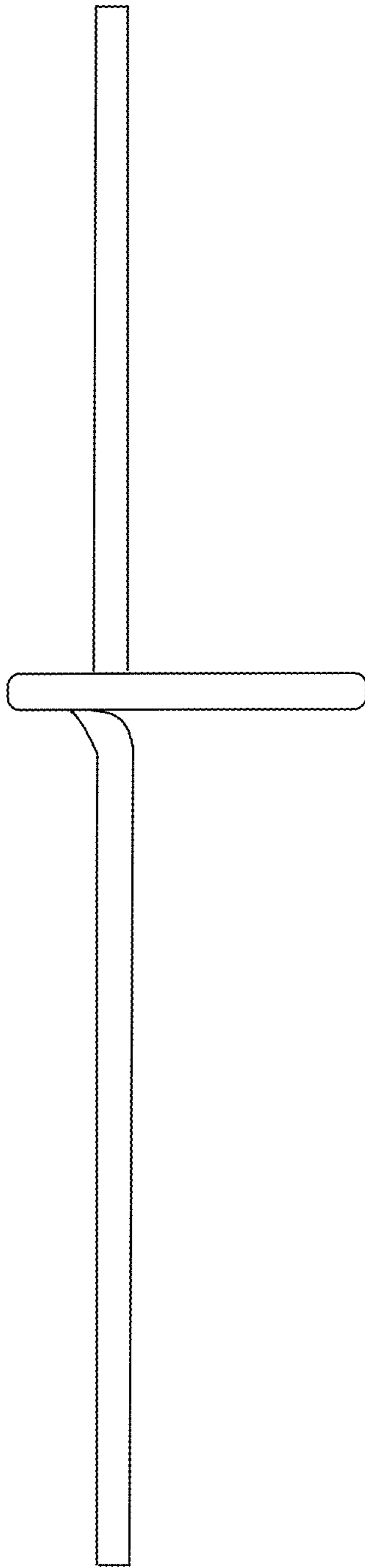


FIG. 2

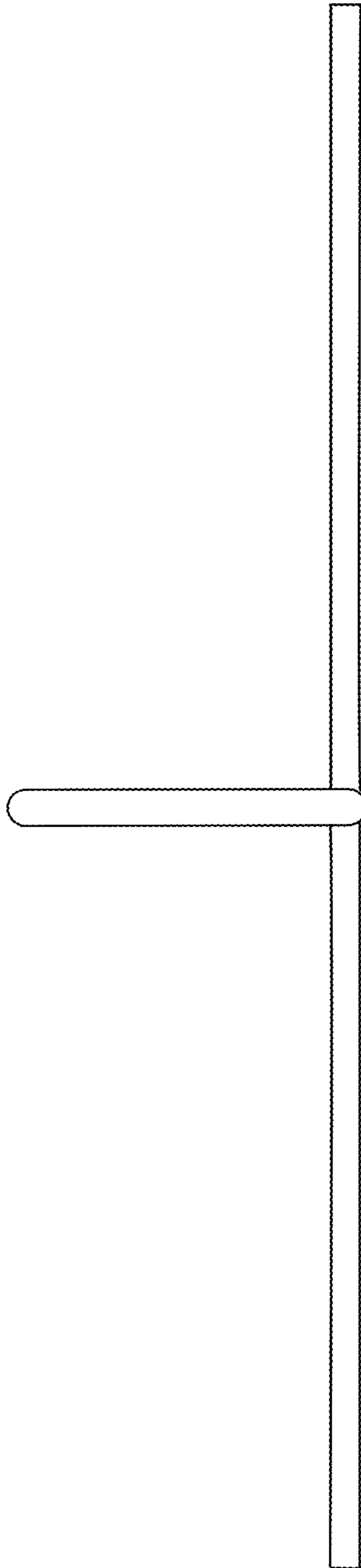


FIG. 3

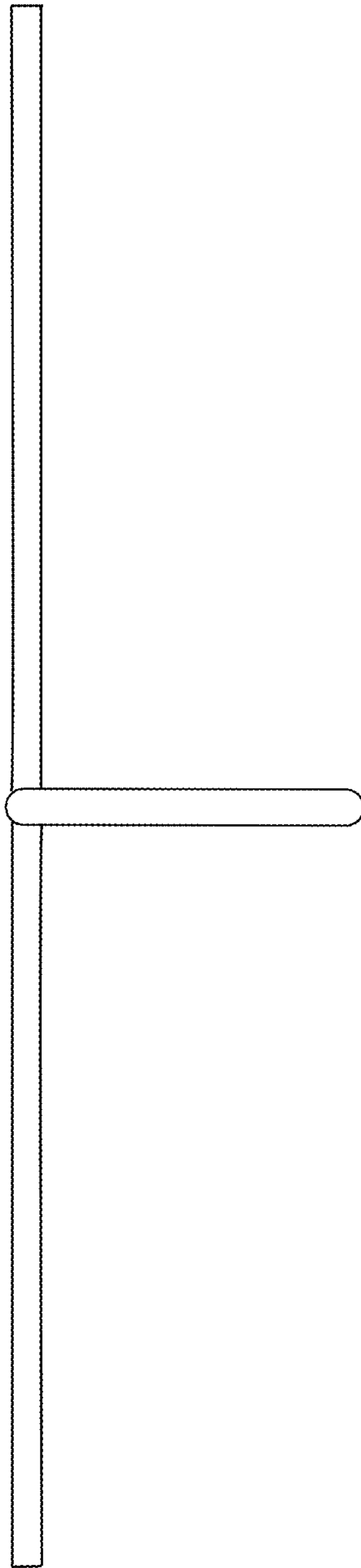


Figure 4

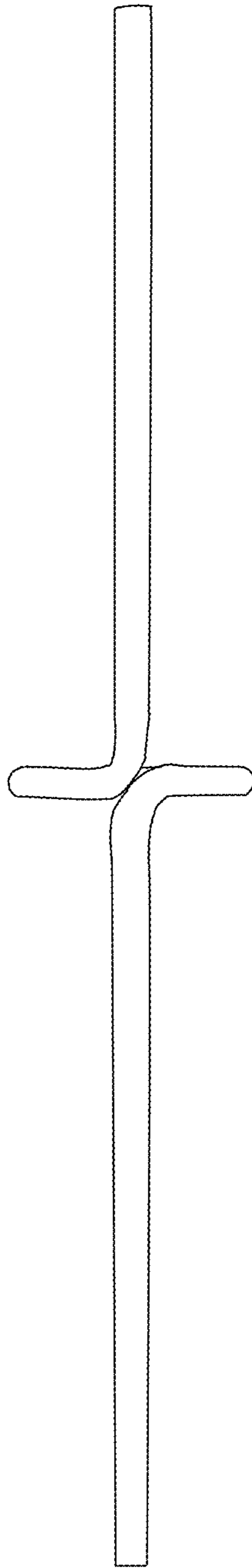


FIG. 5

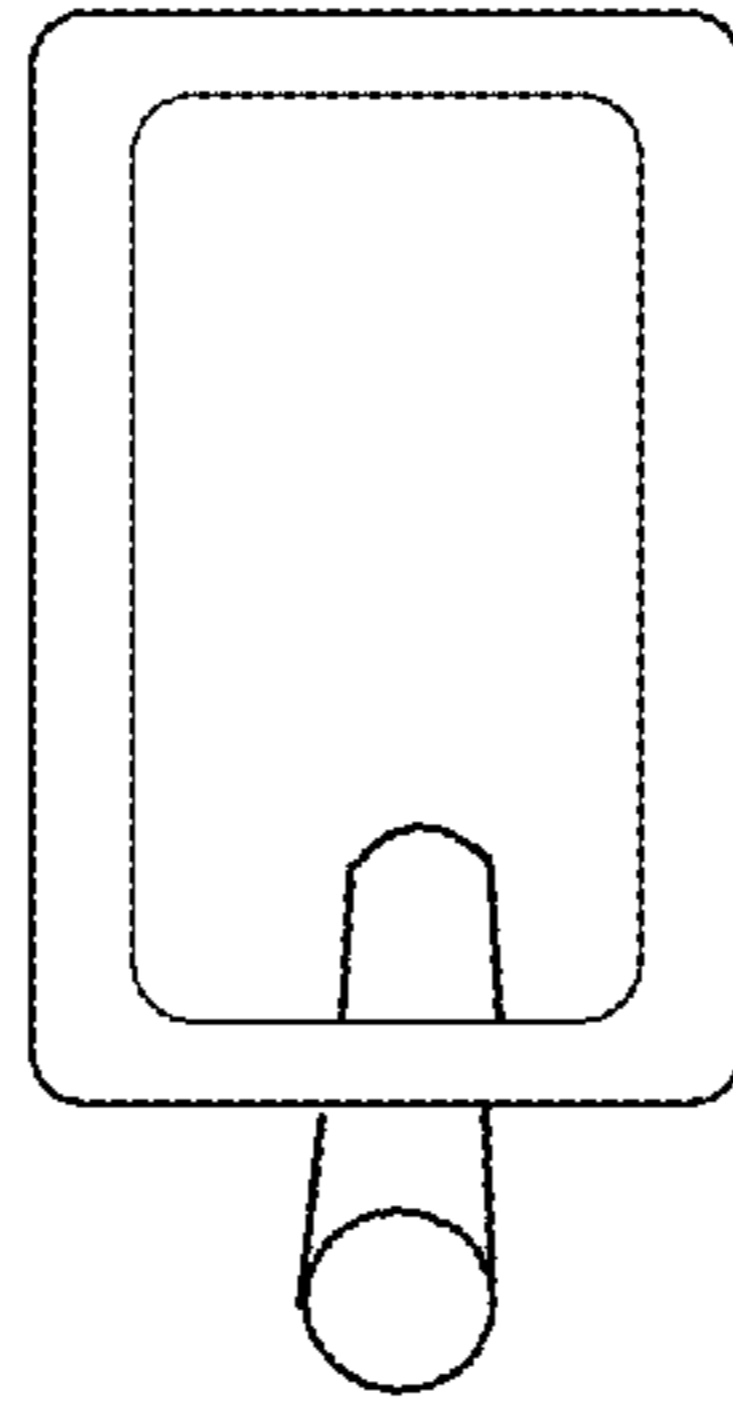


FIG. 6

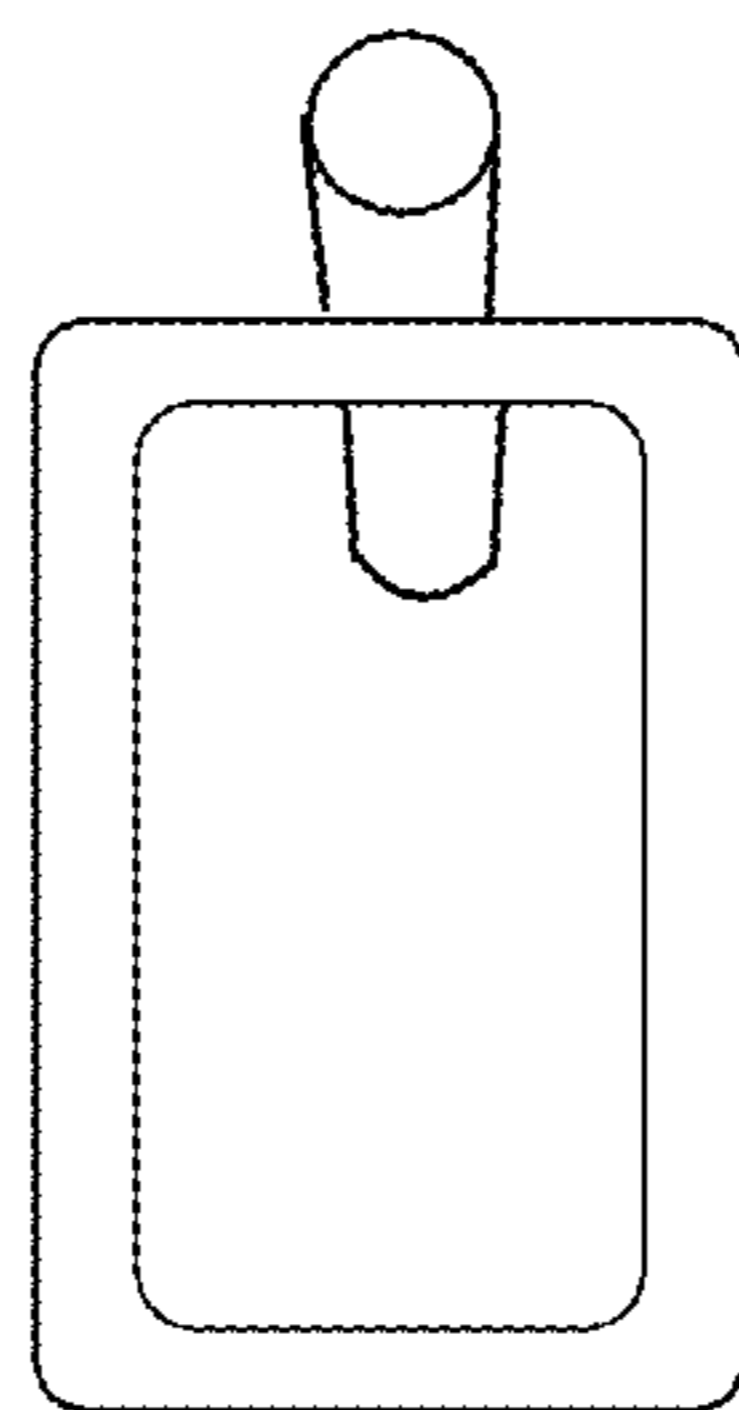


FIG. 7