



US00D876938S

(12) **United States Design Patent**
Spangler et al.

(10) **Patent No.:** **US D876,938 S**
(45) **Date of Patent:** **** Mar. 3, 2020**

(54) **COMBINATION REBAR POSITIONER AND FASTENER**

(71) Applicants: **Ray A. Spangler**, Anchorage, AK (US);
Patina L. Sidner, Athens, GA (US)

(72) Inventors: **Ray A. Spangler**, Anchorage, AK (US);
Patina L. Sidner, Athens, GA (US)

(**) Term: **15 Years**

(21) Appl. No.: **29/657,122**

(22) Filed: **Jul. 19, 2018**

D330,846 S *	11/1992	Woolledge	D8/354
D405,682 S *	2/1999	Suher	D8/370
D436,026 S *	1/2001	Luther, Sr.	D8/395
6,802,495 B1 *	10/2004	Schmidt	E04H 17/10 256/2
D599,646 S *	9/2009	Meyers	D8/370
D672,227 S *	12/2012	Hendricks	D8/394
D672,228 S *	12/2012	Hendricks	D8/394
D673,031 S *	12/2012	Hendricks	D8/394
D699,556 S *	2/2014	Hendricks	D8/354
D706,617 S *	6/2014	Hendricks	D8/354
D711,214 S *	8/2014	Spangler	D8/382
D746,670 S *	1/2016	Spangler	D8/382
D793,844 S *	8/2017	Kim	D8/349
D793,845 S *	8/2017	Kim	D8/349
D800,537 S *	10/2017	Harris	D8/354

(Continued)

Related U.S. Application Data

(62) Division of application No. 29/608,194, filed on Jun. 20, 2017, now Pat. No. Des. 844,420.

(51) **LOC (12) Cl.** **08-08**

(52) **U.S. Cl.**
USPC **D8/382**

(58) **Field of Classification Search**
USPC D8/16, 21, 31, 71, 88, 349, 354, 363,
D8/366, 367, 368, 370, 371, 382, 394,
D8/499

CPC E04C 5/16; E04C 5/18; E04C 5/20
See application file for complete search history.

(56) **References Cited**

U.S. PATENT DOCUMENTS

D28,889 S *	6/1898	Forbes	D8/382
D34,533 S *	5/1901	Brockelbank	D8/349
3,296,670 A *	1/1967	Burnett	F16G 11/046 24/131 R
4,517,864 A *	5/1985	Fratta	H01R 43/22 81/436
D285,645 S *	9/1986	Fratta	D8/21
D310,955 S *	10/1990	Platten	D8/382
D330,290 S *	10/1992	Edwards	D6/323

FOREIGN PATENT DOCUMENTS

JP	D1071028	*	5/2000
JP	D1555115	*	8/2016
JP	D1555116	*	8/2016

Primary Examiner — Leanne Was-Englehart

(74) *Attorney, Agent, or Firm* — Michael J. Tavella

(57) **CLAIM**

The ornamental design for a combination rebar positioner and fastener, as shown and described.

DESCRIPTION

FIG. 1 is a perspective view of a first embodiment of a combination rebar positioner and fastener, showing my new design;

FIG. 2 is a front elevation thereof;

FIG. 3 is right side elevation view thereof;

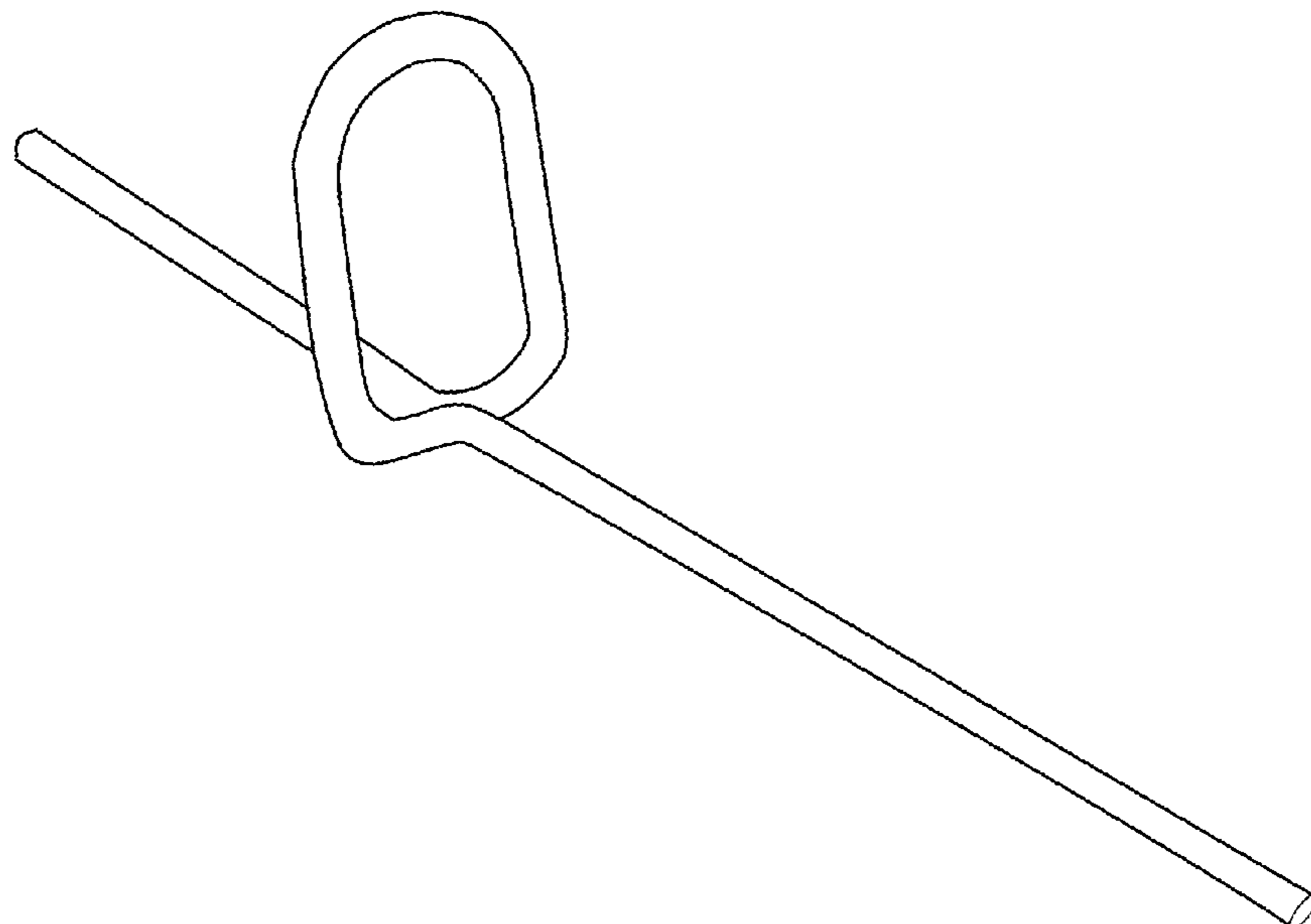
FIG. 4 is a bottom plan view thereof;

FIG. 5 is a top plan view thereof

FIG. 6 is a left side elevation view thereof; and,

FIG. 7 is a rear elevation thereof.

1 Claim, 6 Drawing Sheets



(56)

References Cited

U.S. PATENT DOCUMENTS

D801,159 S * 10/2017 Turbenson D8/367
D844,420 S * 4/2019 Spangler D8/382
2017/0254086 A1* 9/2017 Larkin E04C 5/18

* cited by examiner

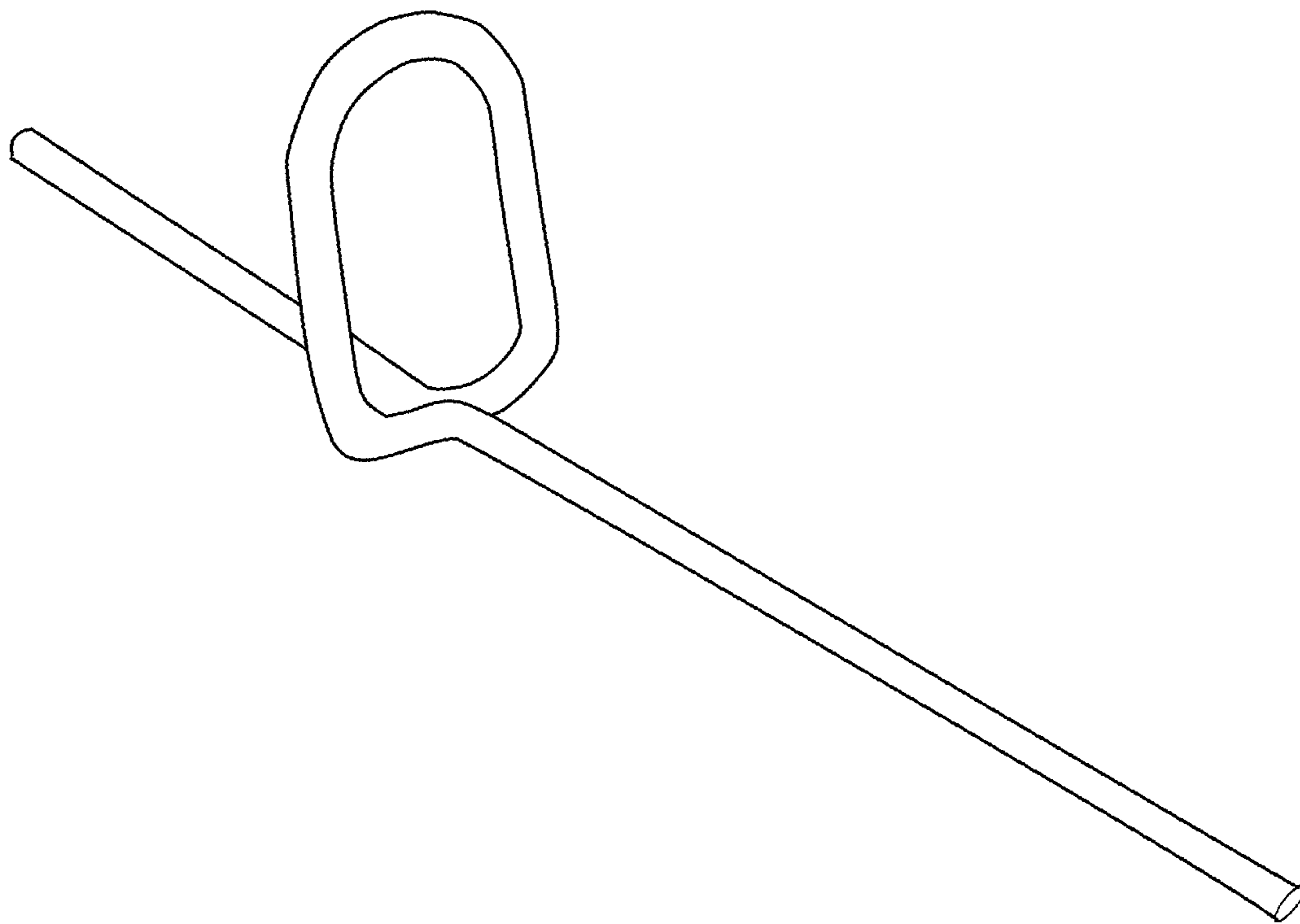


FIG. 1

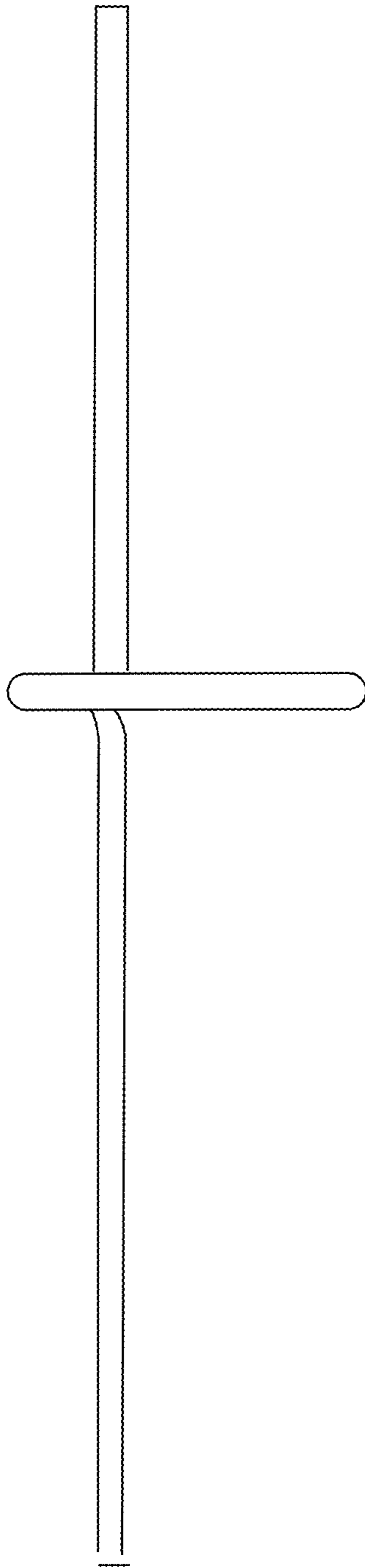


FIG. 2

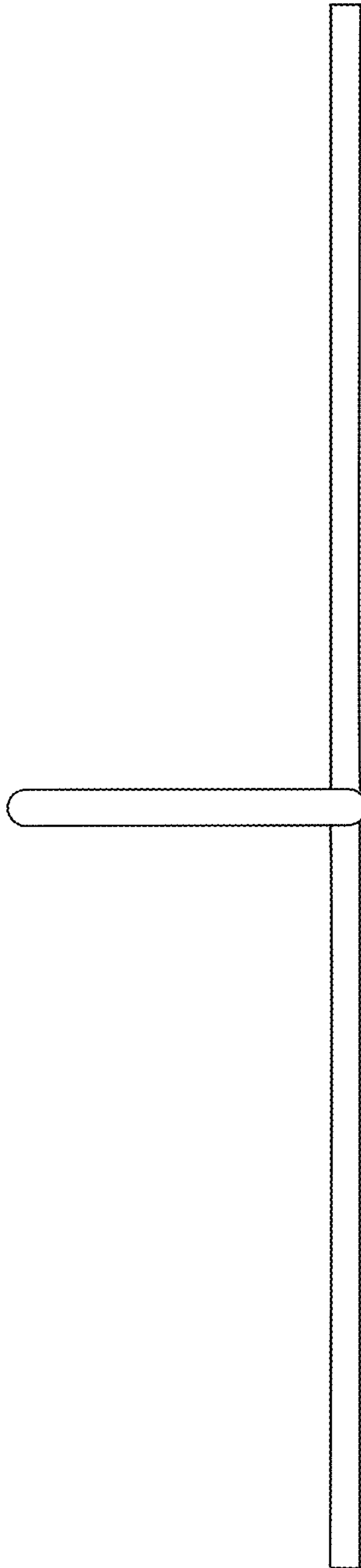


FIG. 3

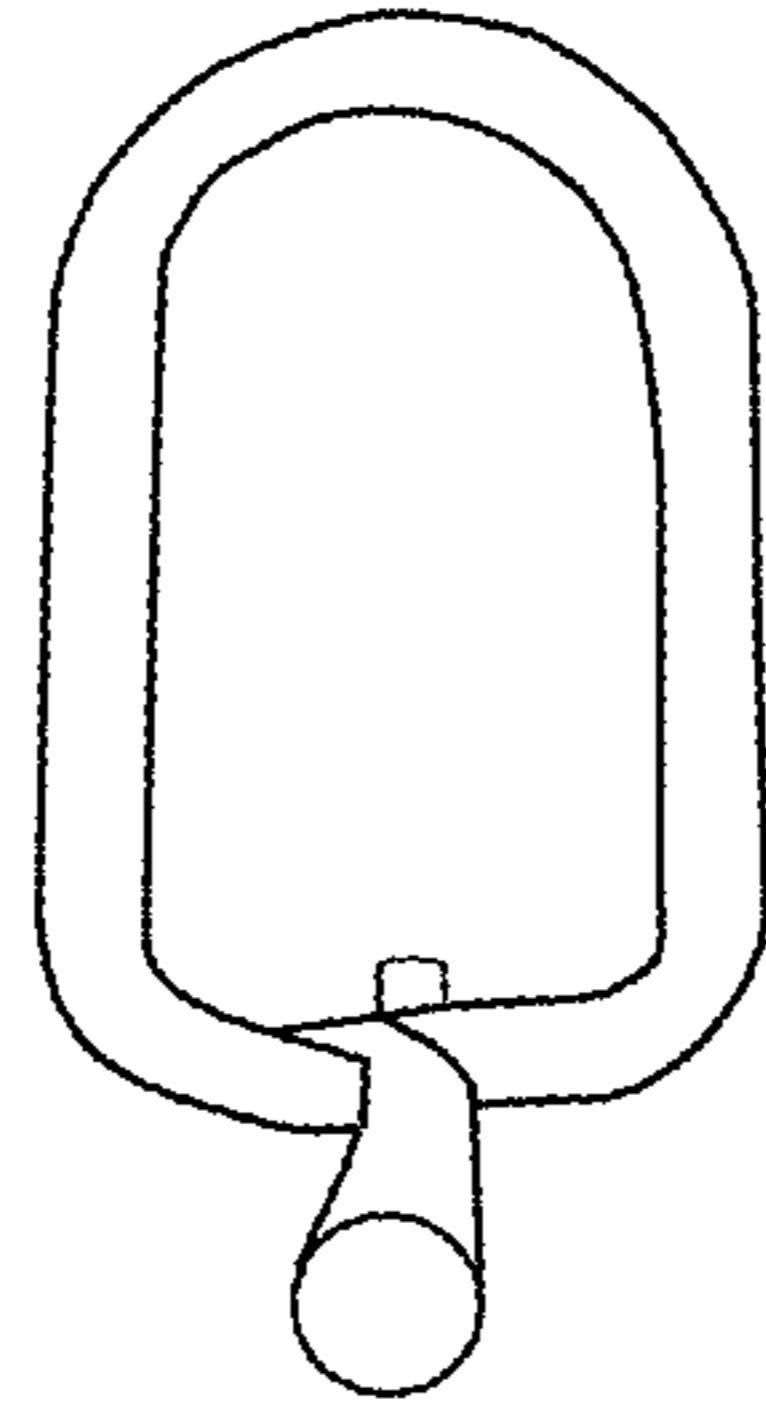


FIG. 4

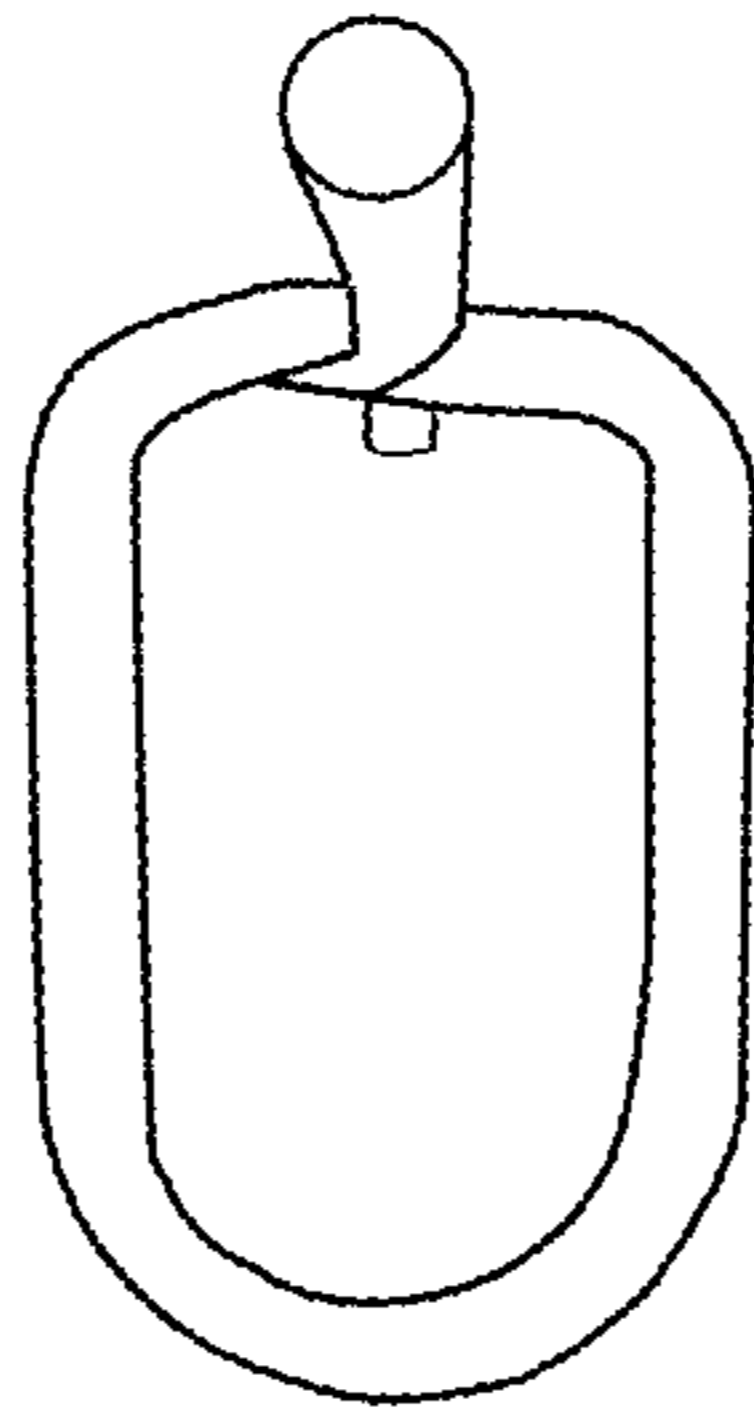


FIG. 5

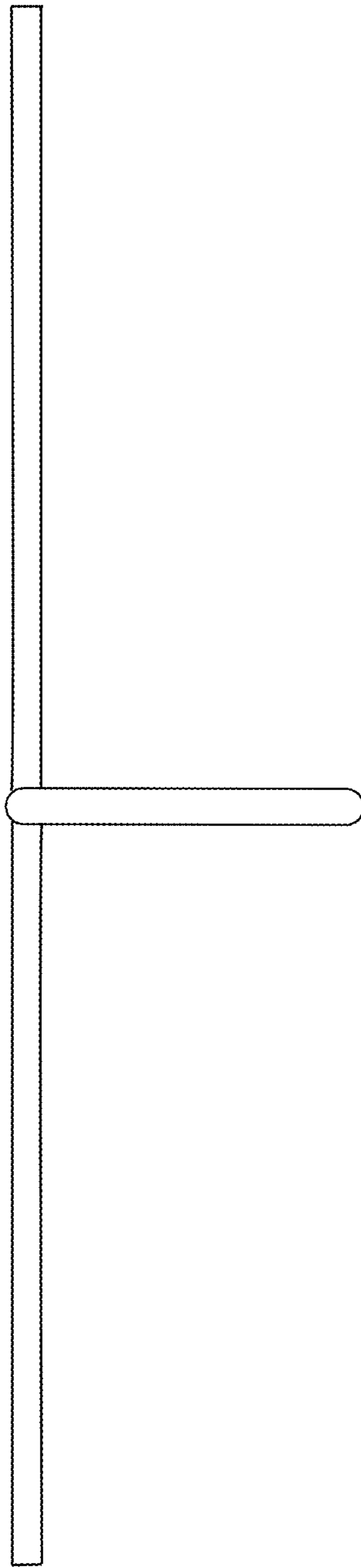


FIG. 6

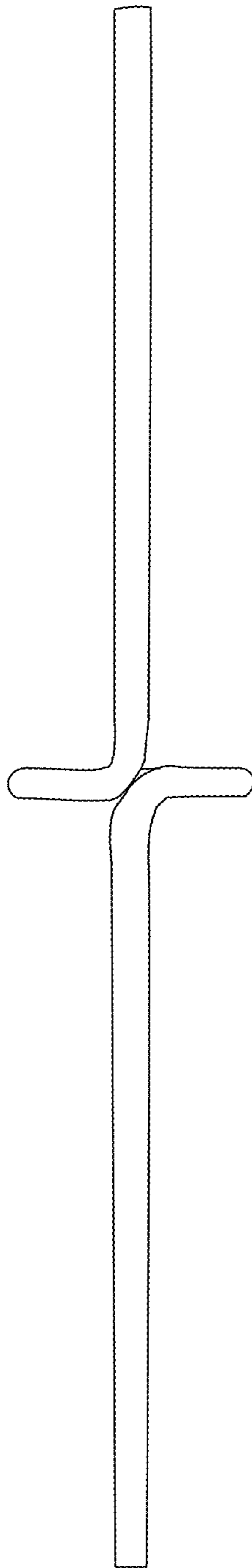


Fig. 7