



US00D876933S

(12) **United States Design Patent** (10) **Patent No.:** **US D876,933 S**  
**Elliott et al.** (45) **Date of Patent:** **\*\* Mar. 3, 2020**

(54) **CABLE RETAINER DEVICE** 6,317,937 B1 \* 11/2001 Ishihara et al. .... 24/297  
6,408,495 B2 \* 6/2002 Ida ..... A44B 13/0035  
2/219

(71) Applicant: **Wanho T Manufacturing Co., Ltd.**,  
Ilan (TW) D473,448 S \* 4/2003 Wu et al. .... D8/356  
D479,378 S \* 9/2003 Simpson ..... D34/35  
6,718,599 B2 \* 4/2004 Dickinson et al. .... 24/295  
D494,452 S \* 8/2004 Sheldon et al. .... D8/367  
6,796,006 B2 \* 9/2004 Hansen ..... F16B 5/065  
24/289

(72) Inventors: **David Robert Elliott**, Southington, CT  
(US); **Christopher Pierre Crounse**,  
Florence, AZ (US); **Arthur C Gagnon**,  
Wolcott, CT (US) 7,120,971 B2 \* 10/2006 Osterland et al. .... 24/295  
D538,137 S \* 3/2007 Dukes ..... D8/356  
D556,021 S \* 11/2007 Sexton ..... D8/356  
D570,203 S \* 6/2008 Shiomoto ..... D8/395  
7,380,692 B2 \* 6/2008 Kostal ..... A45F 5/02  
224/269

(73) Assignee: **Wanho T Manufacturing Co., Ltd.**,  
Ilan (TW) D572,129 S \* 7/2008 Keays ..... D8/395  
7,475,934 B2 \* 1/2009 Sato et al. .... 296/146.7  
7,496,994 B1 \* 3/2009 Headley ..... 24/303  
D647,389 S \* 10/2011 Gracia ..... D8/367  
D658,974 S \* 5/2012 Komeno ..... D8/356  
8,316,513 B2 \* 11/2012 DeJong ..... F16B 5/065  
24/293

(\*\*) Term: **15 Years**

(21) Appl. No.: **29/676,672**

(22) Filed: **Jan. 14, 2019**

(51) **LOC (12) Cl.** ..... **09-06**

(52) **U.S. Cl.**  
USPC ..... **D8/356**

(58) **Field of Classification Search**  
USPC ..... D13/153, 154; D11/458, 297, 303, 295,  
D11/200; 296/146.7; D8/356, 354, 349  
CPC ..... B60D 1/18; B65H 57/16  
See application file for complete search history.

(Continued)

*Primary Examiner* — Cynthia R Underwood  
(74) *Attorney, Agent, or Firm* — Charles E. Baxley

(57) **CLAIM**  
The ornamental design for a cable retainer device, as shown and described.

(56) **References Cited**

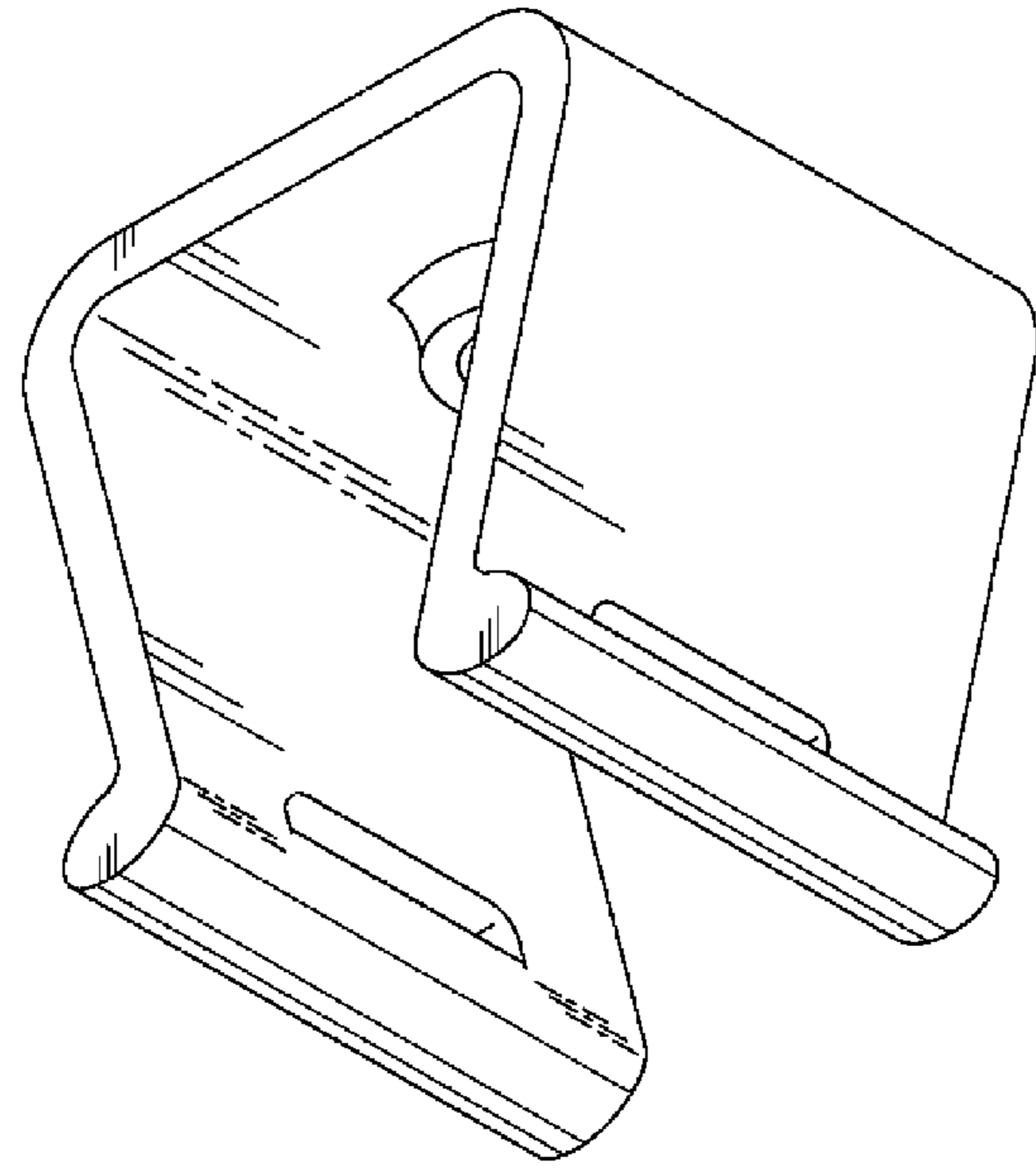
U.S. PATENT DOCUMENTS

2,069,691 A \* 2/1937 Wilson et al. .... 24/27  
D143,238 S \* 12/1945 Pfefferkorn ..... D8/321  
D194,869 S \* 3/1963 Stall ..... D8/373  
3,345,706 A \* 10/1967 Stokes ..... F16L 3/127  
403/397  
4,153,314 A \* 5/1979 Prater ..... A45C 13/26  
16/110.1  
D329,194 S \* 9/1992 Gillooly ..... D8/356  
5,207,403 A \* 5/1993 Penniman ..... 248/215  
D421,709 S \* 3/2000 Haslem et al. .... D8/354  
6,074,150 A \* 6/2000 Shinozaki et al. .... 411/508

**DESCRIPTION**

FIG. 1 is an upper perspective view of a cable retainer device showing my new design;  
FIG. 2 is a front elevational view thereof;  
FIG. 3 is a rear elevational view thereof;  
FIG. 4 is a top plan view thereof;  
FIG. 5 is a bottom plan view thereof;  
FIG. 6 is a left side elevational view thereof;  
FIG. 7 is a right side elevational view thereof; and,  
FIG. 8 is a bottom perspective view thereof.

**1 Claim, 5 Drawing Sheets**



(56)

**References Cited**

U.S. PATENT DOCUMENTS

8,359,715 B2 *	1/2013	Turner	.....	B60R 13/0206	24/289	2004/0083582 A1 *	5/2004	Dickinson et al.	.....	24/295
8,424,173 B2 *	4/2013	Shiba	.....	F16B 5/065	24/297	2004/0096272 A1 *	5/2004	Dickinson et al.	.....	403/397
8,474,110 B1 *	7/2013	Sherriff	.....	B60N 3/026	24/297	2005/0076602 A1 *	4/2005	Routhier	.....	52/698
D693,733 S *	11/2013	Fujii	.....	D11/200		2005/0105987 A1 *	5/2005	Giugliano et al.	.....	411/508
8,683,662 B2 *	4/2014	Cooley	.....	F16B 5/065	24/297	2005/0155191 A1 *	7/2005	Asano	.....	B60R 13/0206
8,944,733 B2 *	2/2015	Podsadny	.....	B60R 13/0206	24/295					
D788,254 S *	5/2017	Baehler	.....	D11/200		2005/0217082 A1 *	10/2005	Vassiliou	.....	24/294
D826,771 S *	8/2018	Ellingson	.....	D11/200		2006/0048431 A1 *	3/2006	Weir	.....	F41C 23/02
2002/0194710 A1 *	12/2002	Dickinson et al.	.....	24/295						
2003/0079316 A1 *	5/2003	Ogawa	.....	F16B 5/06	24/297	2006/0085955 A1 *	4/2006	Asano	.....	B60R 13/0206
2003/0200634 A1 *	10/2003	Hansen	.....	F16B 5/065	24/297	2007/0186389 A1 *	8/2007	Smith	.....	B60R 13/0206
						2007/0216139 A1 *	9/2007	Mazanek	.....	B60R 21/04
										280/728.2
						2012/0305616 A1 *	12/2012	Smith	.....	A45F 3/04
										224/614
						2015/0135409 A1 *	5/2015	Mongan	.....	A41F 9/00
										2/312

\* cited by examiner

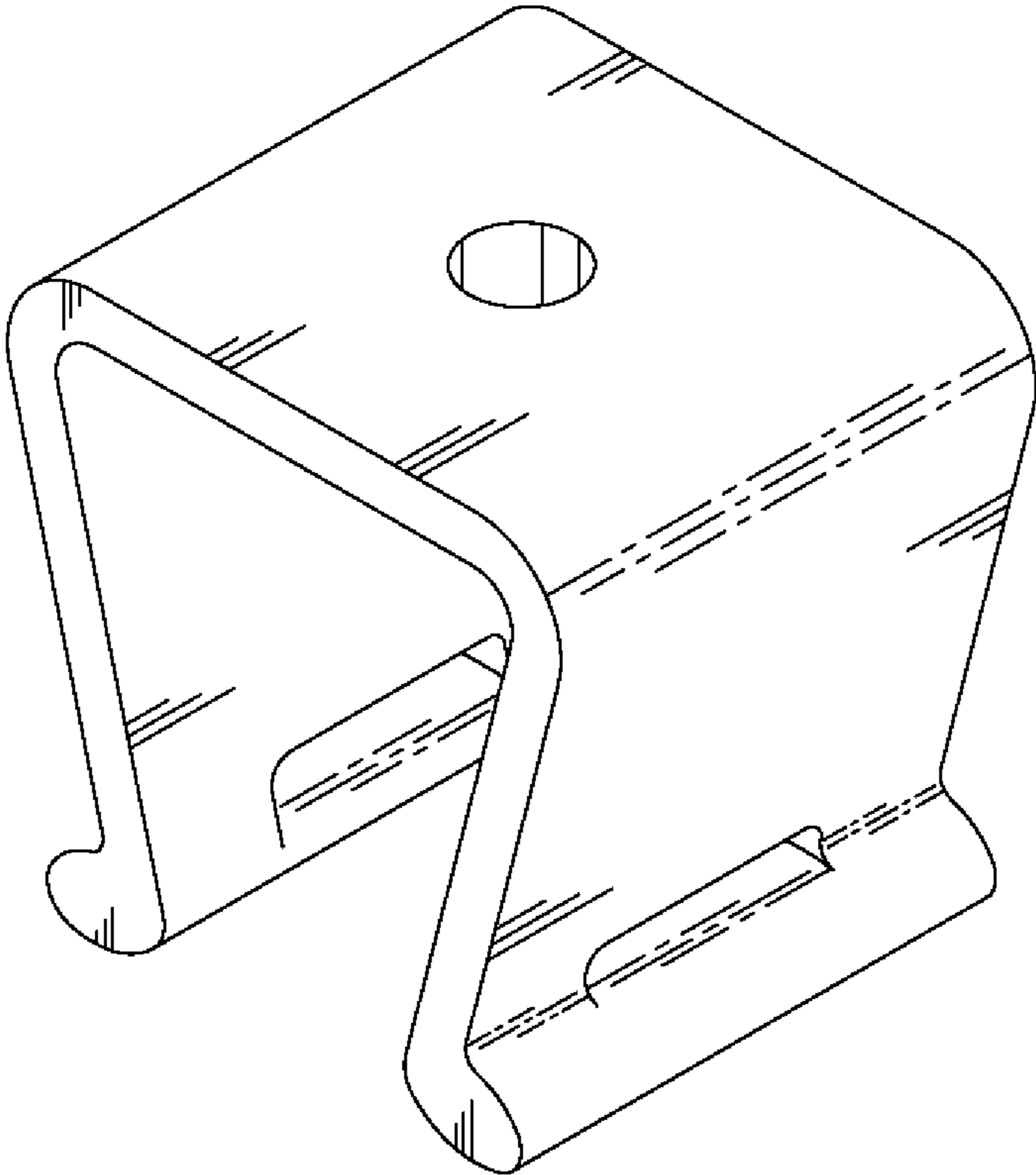


FIG. 1

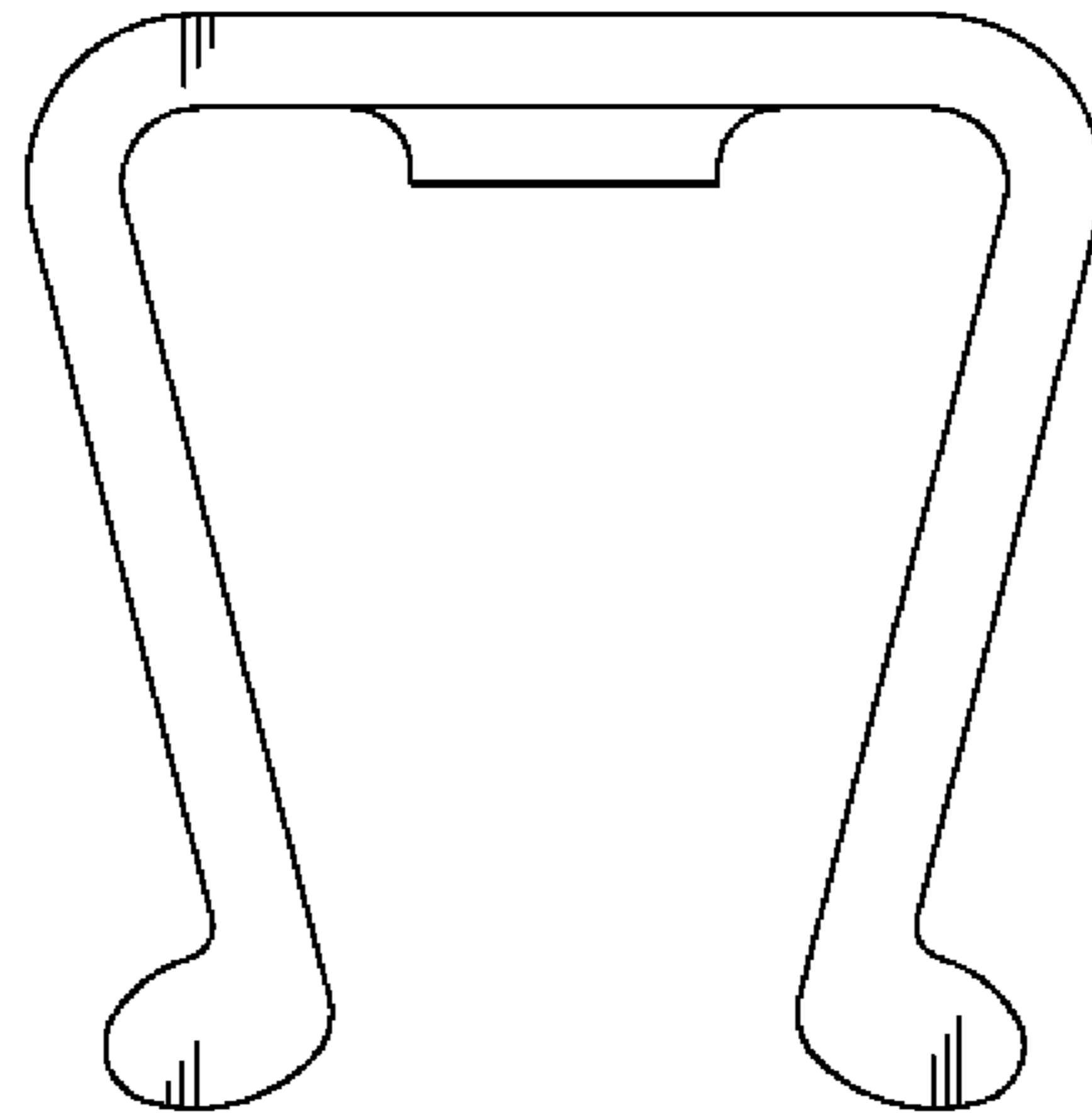


FIG. 2

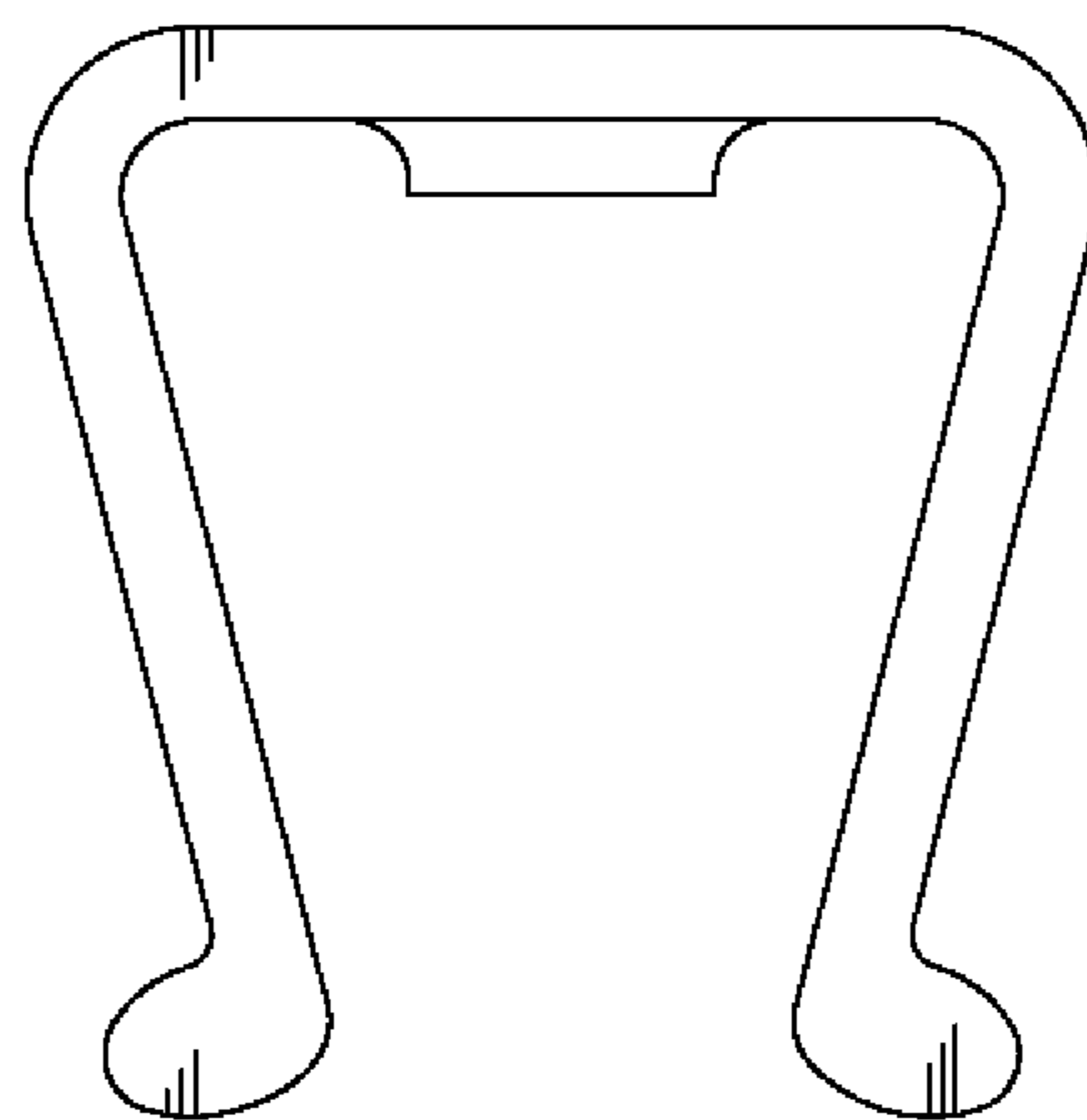


FIG. 3

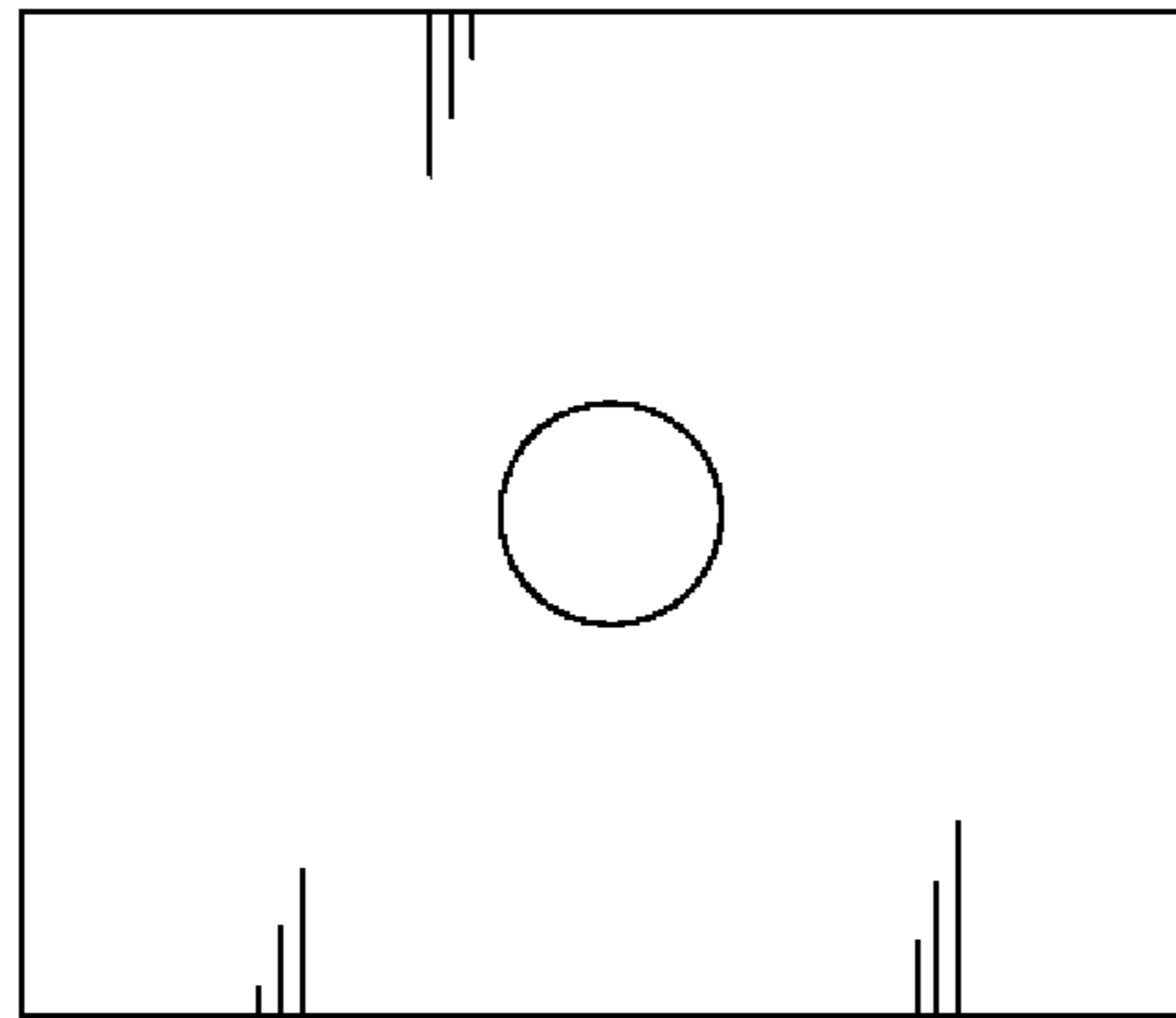


FIG. 4

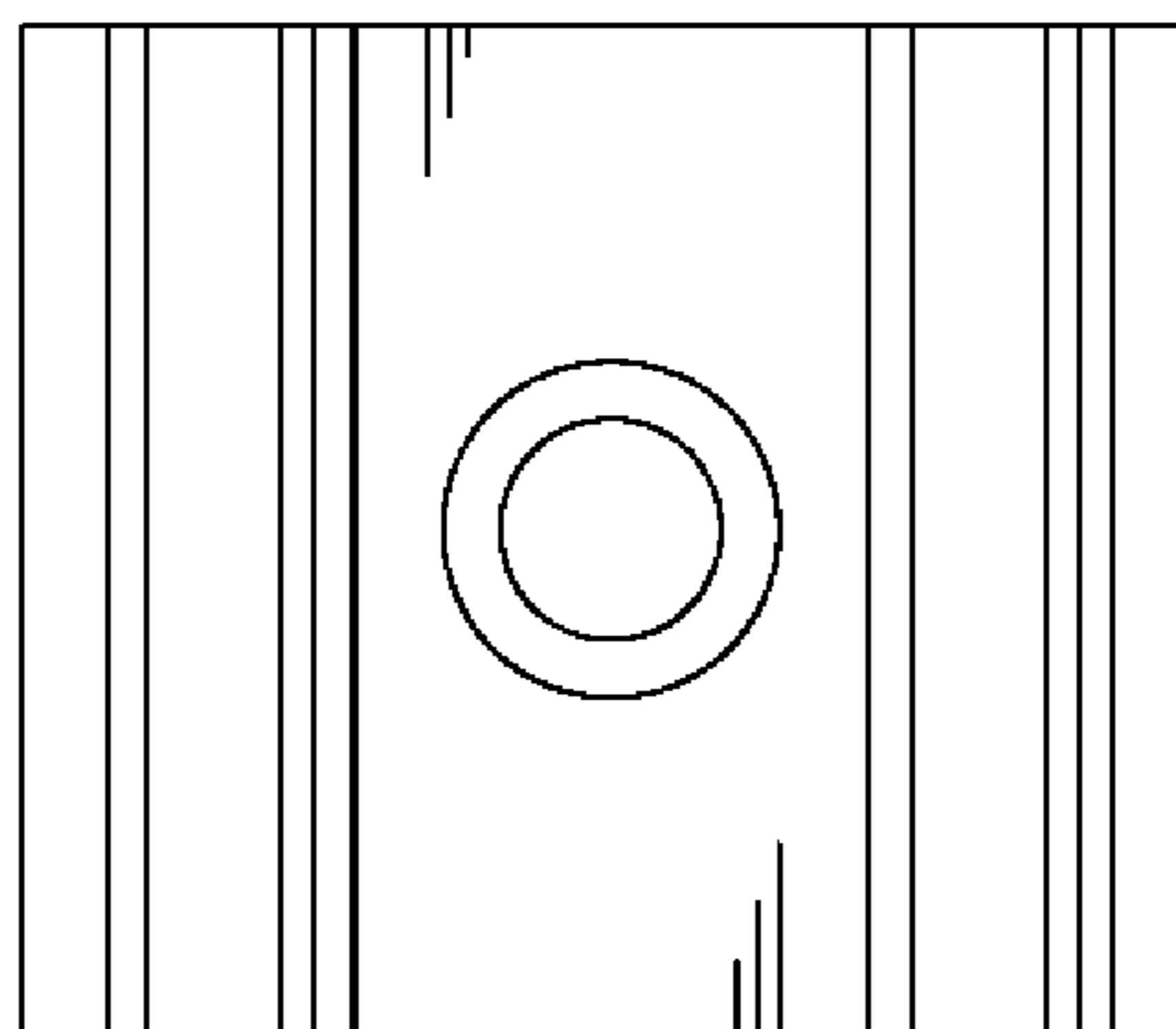


FIG. 5

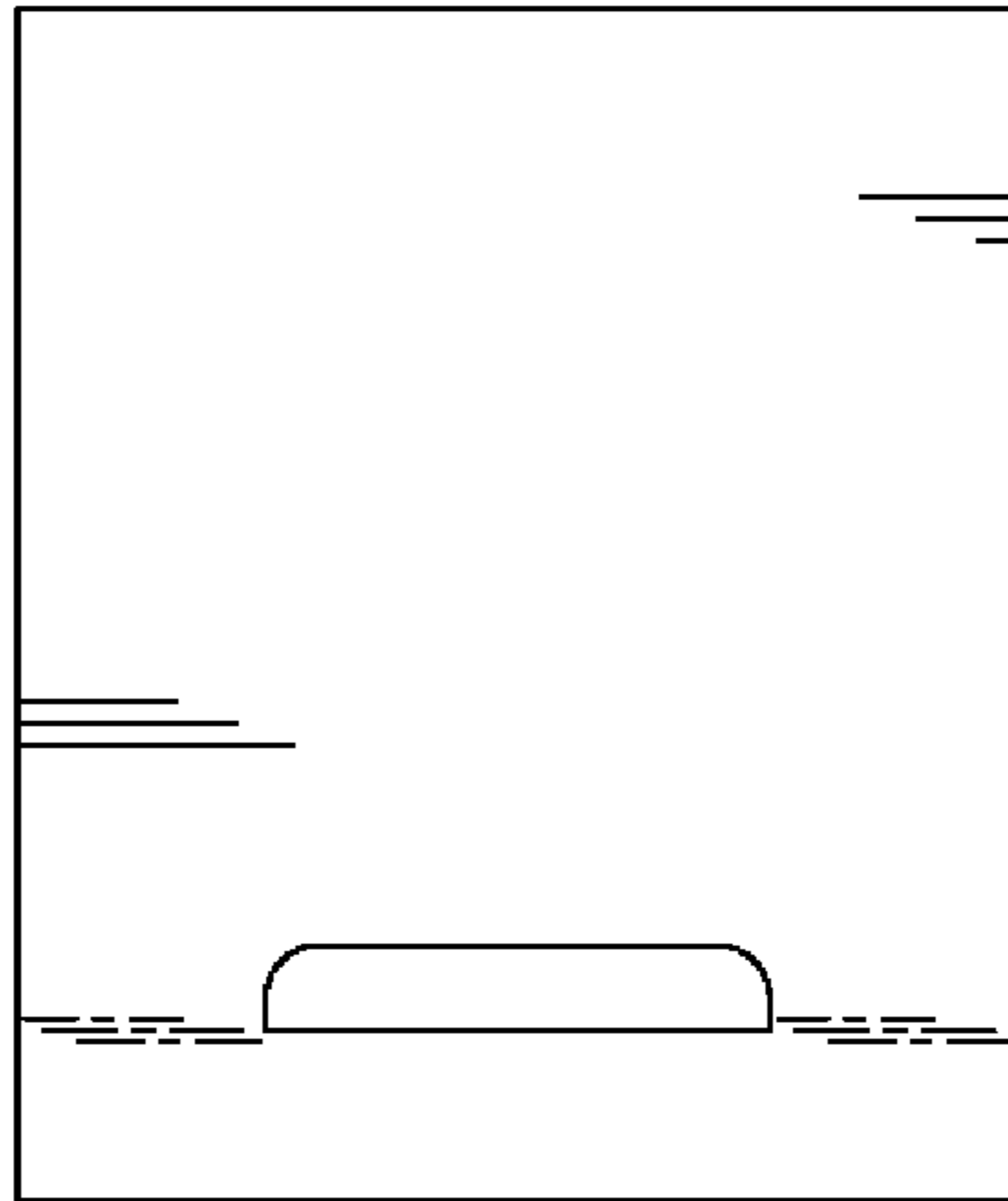


FIG. 6

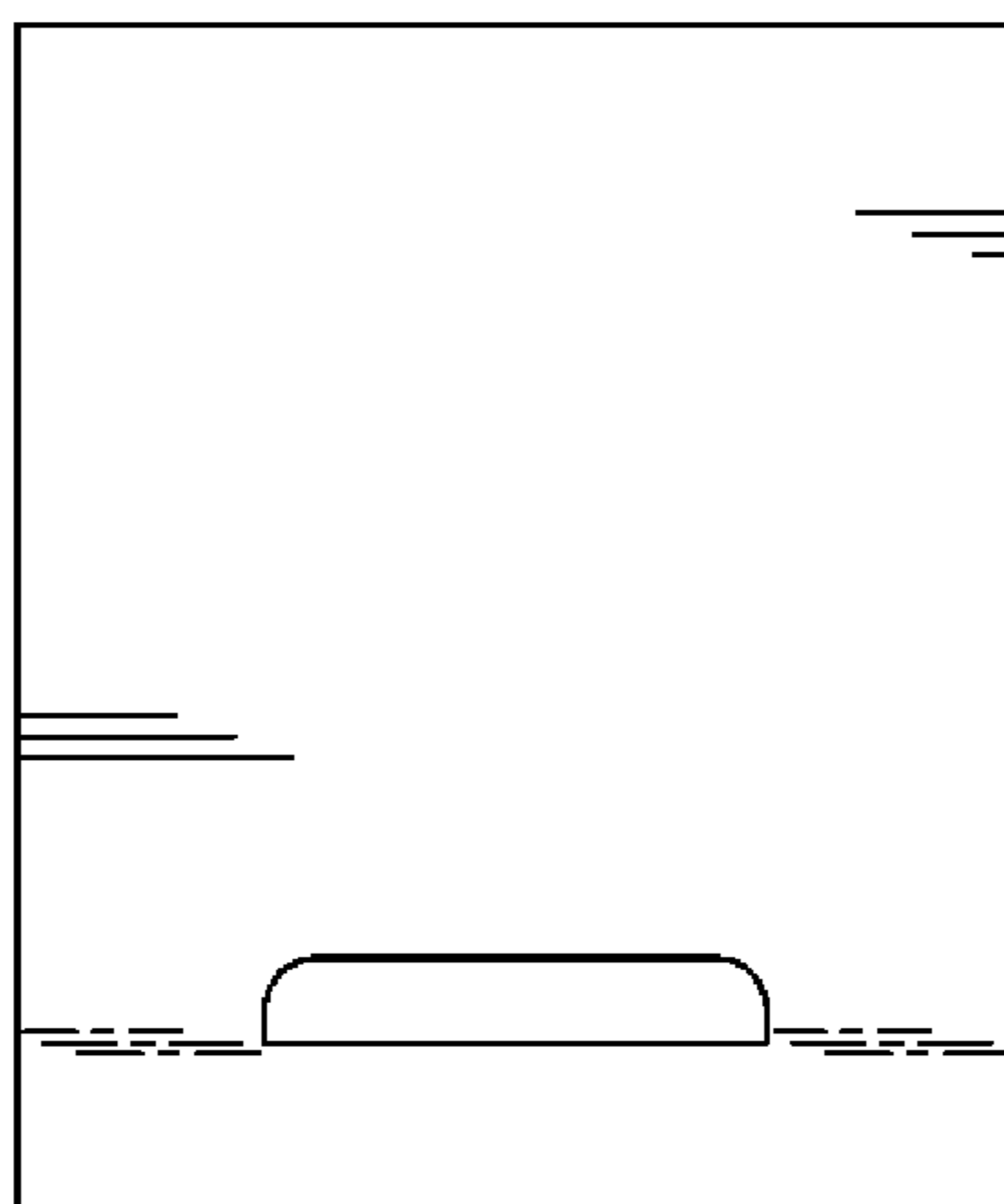


FIG. 7

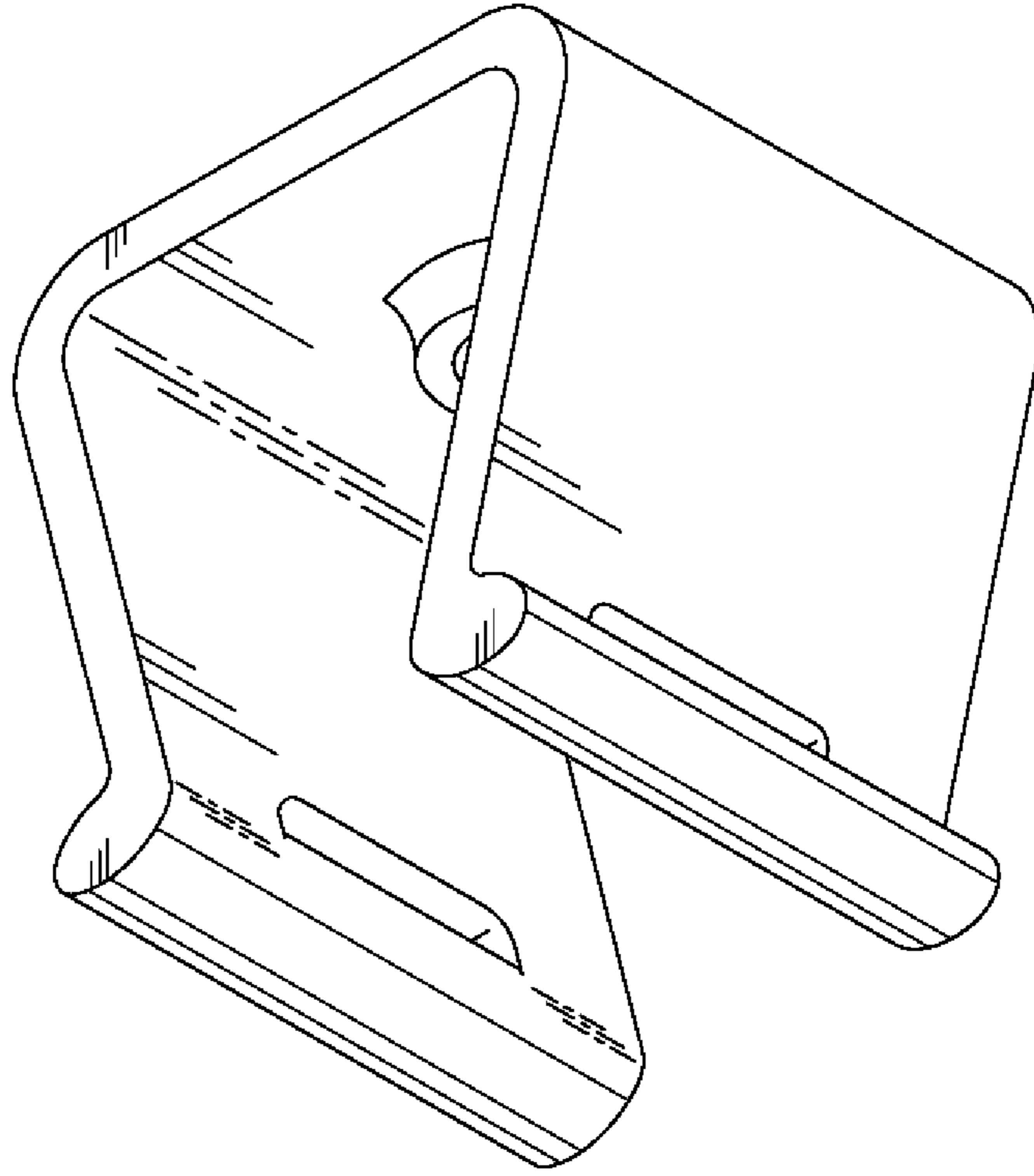


FIG. 8