



US00D876930S

(12) **United States Design Patent** (10) **Patent No.:** **US D876,930 S**
Stener (45) **Date of Patent:** **** Mar. 3, 2020**

(54) **ADAPTER FOR SUPPORTING AN ELECTRONIC DEVICE**

(71) Applicant: **Wild West Investments, LLC**, Dallas, TX (US)

(72) Inventor: **Gavin Stener**, Dallas, TX (US)

(73) Assignee: **Wild West Investments, LLC**, Dallas, TX (US)

(**) Term: **15 Years**

(21) Appl. No.: **29/713,088**

(22) Filed: **Nov. 13, 2019**

Related U.S. Application Data

(60) Continuation of application No. 29/708,370, filed on Oct. 4, 2019, which is a continuation of application No. 29/686,974, filed on Apr. 9, 2019, now Pat. No. Des. 862,213, which is a continuation of application No. 29/663,162, filed on Sep. 12, 2018, now Pat. No. Des. 845,111, which is a division of application No. (Continued)

(51) **LOC (12) Cl.** **08-05**

(52) **U.S. Cl.**
USPC **D8/354**

(58) **Field of Classification Search**
USPC D14/371-382, 125-129, 336, 337, D14/447-452, 492, 335, 376-382, 239, D14/457, 439-441, 432, 251-253, 413, D14/416; D8/349, 354, 363, 373, 376, D8/380, 356, 377, 381; D21/333, 565; D12/133, 415; D3/10, 218; 348/180, 348/184, 325, 739, 825; 248/323, 278.1, 248/286.1; D6/580; D13/122; D25/119, D25/124

CPC G06F 3/0412; G06F 3/016; G06F 3/0488; G06F 3/011; G06F 3/038; G06F 3/03543; G06F 3/0338; G06F 3/0202; G06F 3/0219; G06F 3/0213; G06F 1/1616; G06F 3/023; G06F 3/04883; G02F

1/13338; G02F 1/1313; G02F 1/1333; G02F 1/135; G02F 1/132; G02F 1/133308; G02F 1/134309; G02F 1/13718; G09G 3/3648; G06K 15/1252; B41J 2/465; G03F 7/70291; G02B 27/0172; G02B 5/30; G02B 2027/0118; G02B 27/0101; F16M 13/02; F16M 13/00; F16M 11/10; F16M 11/04; F16M 2200/08; F16M 11/2021; A47B 21/0314; A47B 88/044; A47B 2021/0335; H02G 3/126; F16B 47/00; F16B 47/006; A47G 1/17; A47K 2201/00

See application file for complete search history.

(56) **References Cited**

U.S. PATENT DOCUMENTS

D251,467 S 4/1979 Anderson
D290,719 S * 7/1987 Holloway D13/169
(Continued)

Primary Examiner — Katie Jane Stofko

(74) *Attorney, Agent, or Firm* — Dentons US LLP

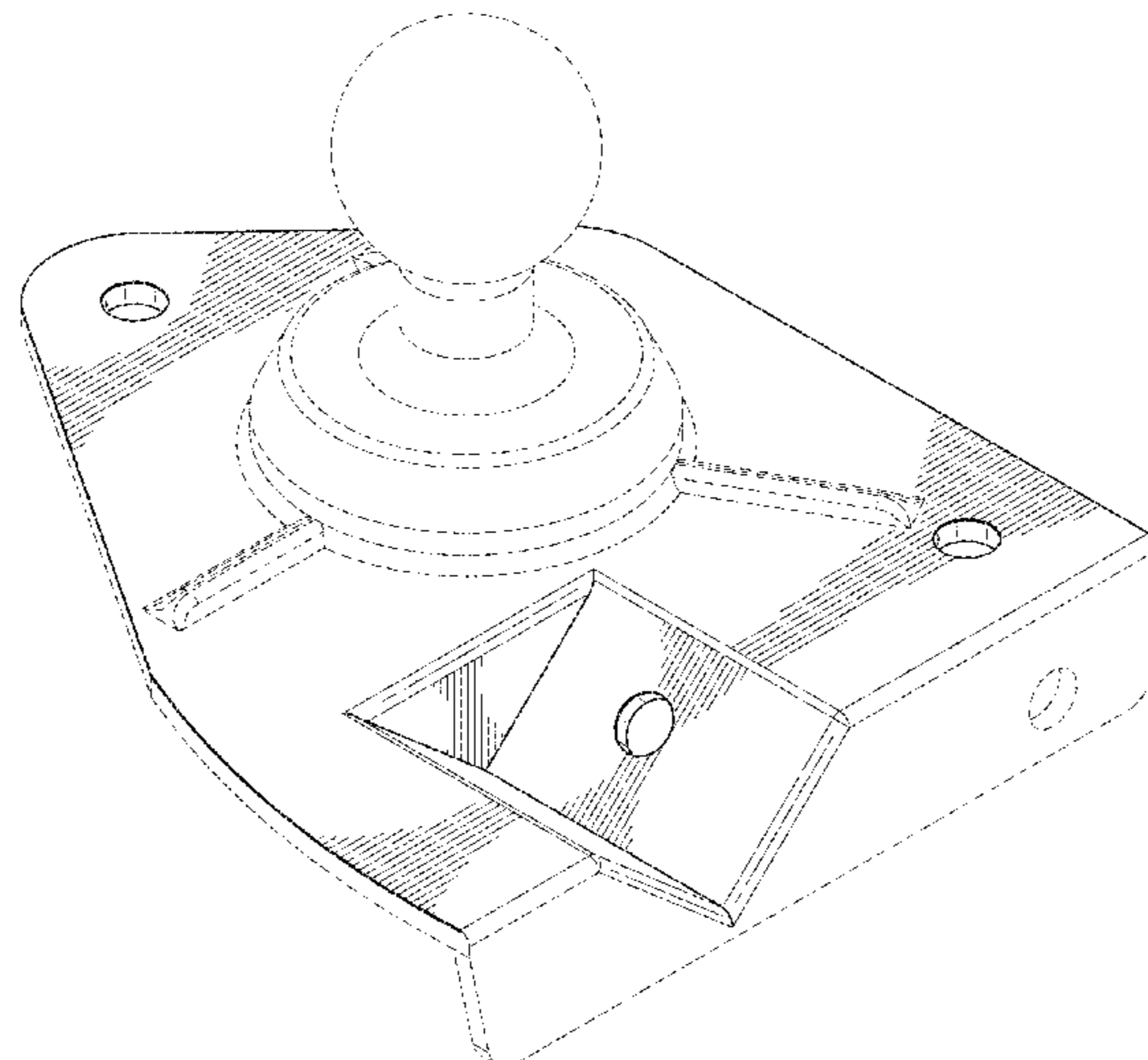
(57) **CLAIM**

An ornamental design for an adapter for supporting an electronic device, as shown and described.

DESCRIPTION

FIG. 1 is an illustration of a front perspective view of an adapter for supporting an electronic device; FIG. 2 is a front elevational view thereof; FIG. 3 is a rear elevational view thereof; FIG. 4 is a right-side elevational view thereof; FIG. 5 is a left-side elevational view thereof; FIG. 6 is a top view thereof; and, FIG. 7 is a bottom view thereof. The broken lines in FIGS. 1-7 illustrate portions of the adapter for supporting an electronic device that form no part of the claimed design.

1 Claim, 5 Drawing Sheets



Related U.S. Application Data

29/654,050, filed on Jun. 20, 2018, now Pat. No. Des. 838,759.

(56)

References Cited

U.S. PATENT DOCUMENTS

D291,785 S 9/1987 Rahme
 4,948,313 A 8/1990 Zankovich
 D336,482 S * 6/1993 Graham D15/141
 D353,547 S * 12/1994 Cattaneo D10/46
 D357,400 S 4/1995 Sachs
 D360,571 S 7/1995 Perry
 D373,761 S * 9/1996 Yu D14/451
 D374,165 S 10/1996 Marshall
 D401,496 S 11/1998 Lambert et al.
 5,855,342 A 1/1999 Hawkins et al.
 5,927,041 A 7/1999 Sedlmeier et al.
 5,984,243 A 11/1999 Pfaller et al.
 D440,845 S * 4/2001 Lackey D8/29
 D443,566 S 6/2001 Peterson
 D445,327 S * 7/2001 Emms D8/382
 7,401,995 B2 7/2008 Senakiewich, II
 7,448,822 B2 11/2008 Nebeker et al.
 7,604,444 B2 10/2009 Wu
 D615,853 S * 5/2010 Sullivan D8/380
 D673,443 S 1/2013 Elrod
 D674,681 S 1/2013 Gorman
 8,497,760 B2 7/2013 Whalen et al.
 D691,027 S 10/2013 Rainer

D699,176 S 2/2014 Salomon et al.
 D736,595 S 8/2015 Moore et al.
 D740,589 S 10/2015 Ng
 D749,405 S 2/2016 White
 D753,983 S * 4/2016 Toye D8/349
 D754,527 S * 4/2016 Green D8/349
 D759,465 S 6/2016 Reed
 D760,066 S 6/2016 Krenek
 D761,094 S * 7/2016 Hooten D8/382
 9,494,400 B1 11/2016 Allemann et al.
 9,506,600 B1 11/2016 Li
 D773,289 S * 12/2016 Green D8/349
 D780,480 S 3/2017 Prince et al.
 D784,790 S * 4/2017 Marsh D8/349
 9,671,060 B1 6/2017 Cifers
 9,717,329 B2 8/2017 Hazzard et al.
 D799,067 S 10/2017 Forsberg
 D807,152 S 1/2018 Hansen
 9,879,819 B1 * 1/2018 Cifers F16M 13/02
 D810,008 S 2/2018 Mollison et al.
 9,923,511 B2 3/2018 Xie
 D816,373 S 5/2018 Schwandt et al.
 10,027,273 B2 7/2018 West et al.
 D828,482 S 9/2018 Alldredge et al.
 2007/0120036 A1 5/2007 Olle et al.
 2010/0276558 A1 11/2010 Faust et al.
 2012/0045276 A1 2/2012 Carnevali
 2013/0248668 A1 9/2013 Lu et al.
 2015/0030386 A1 1/2015 Carnevali
 2018/0306233 A1 10/2018 Burton

* cited by examiner

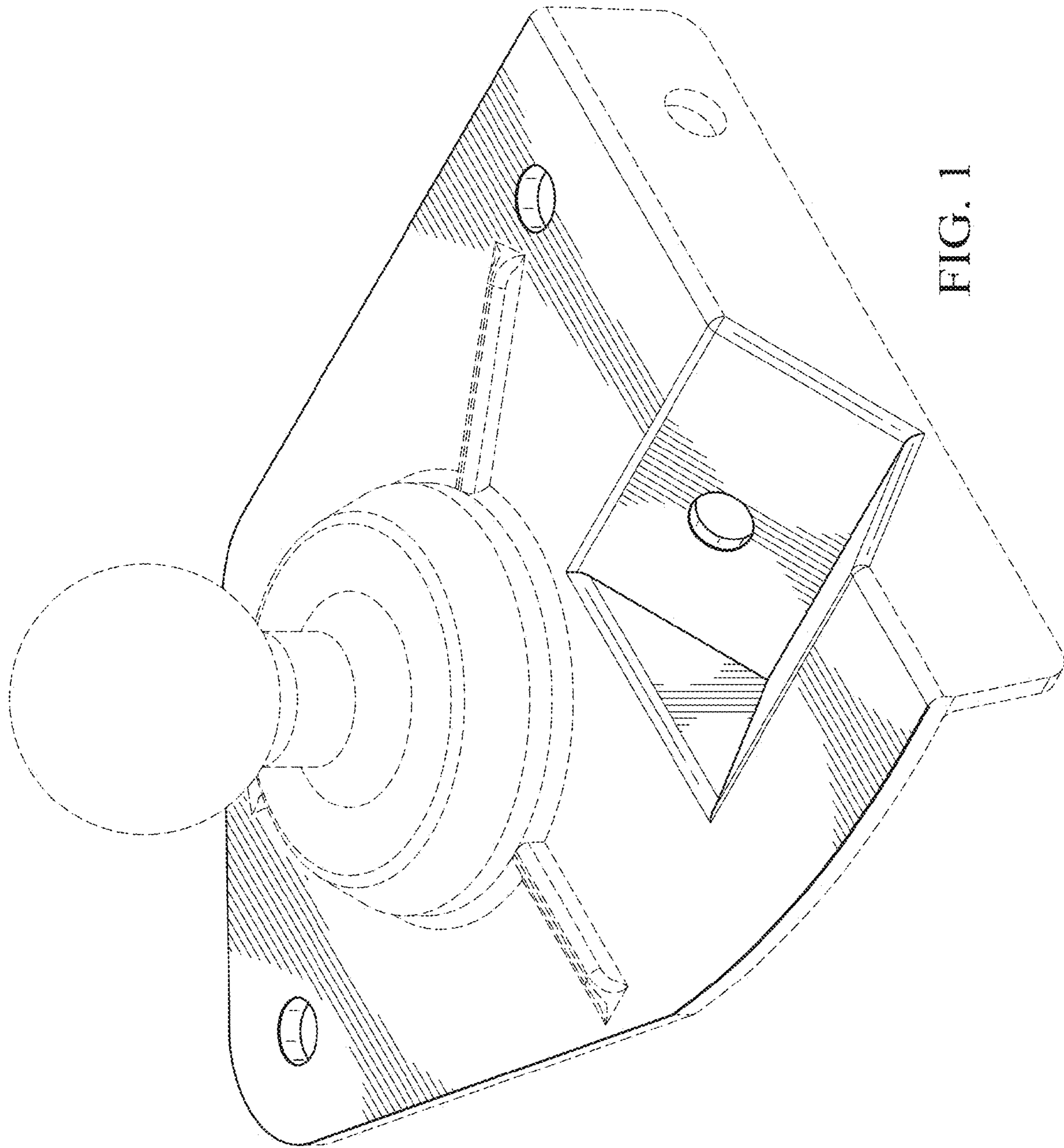


FIG. 1

FIG. 2

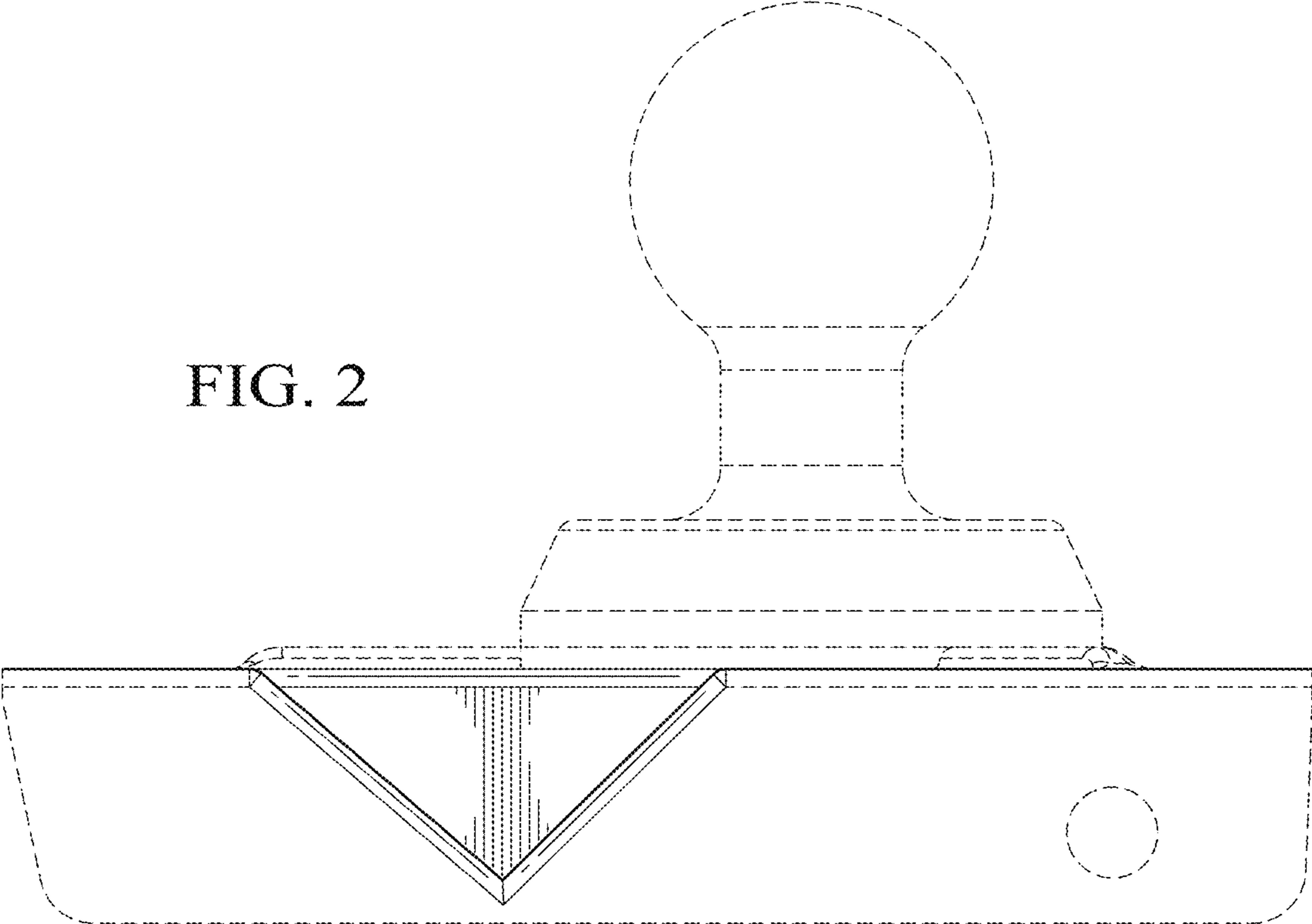


FIG. 3

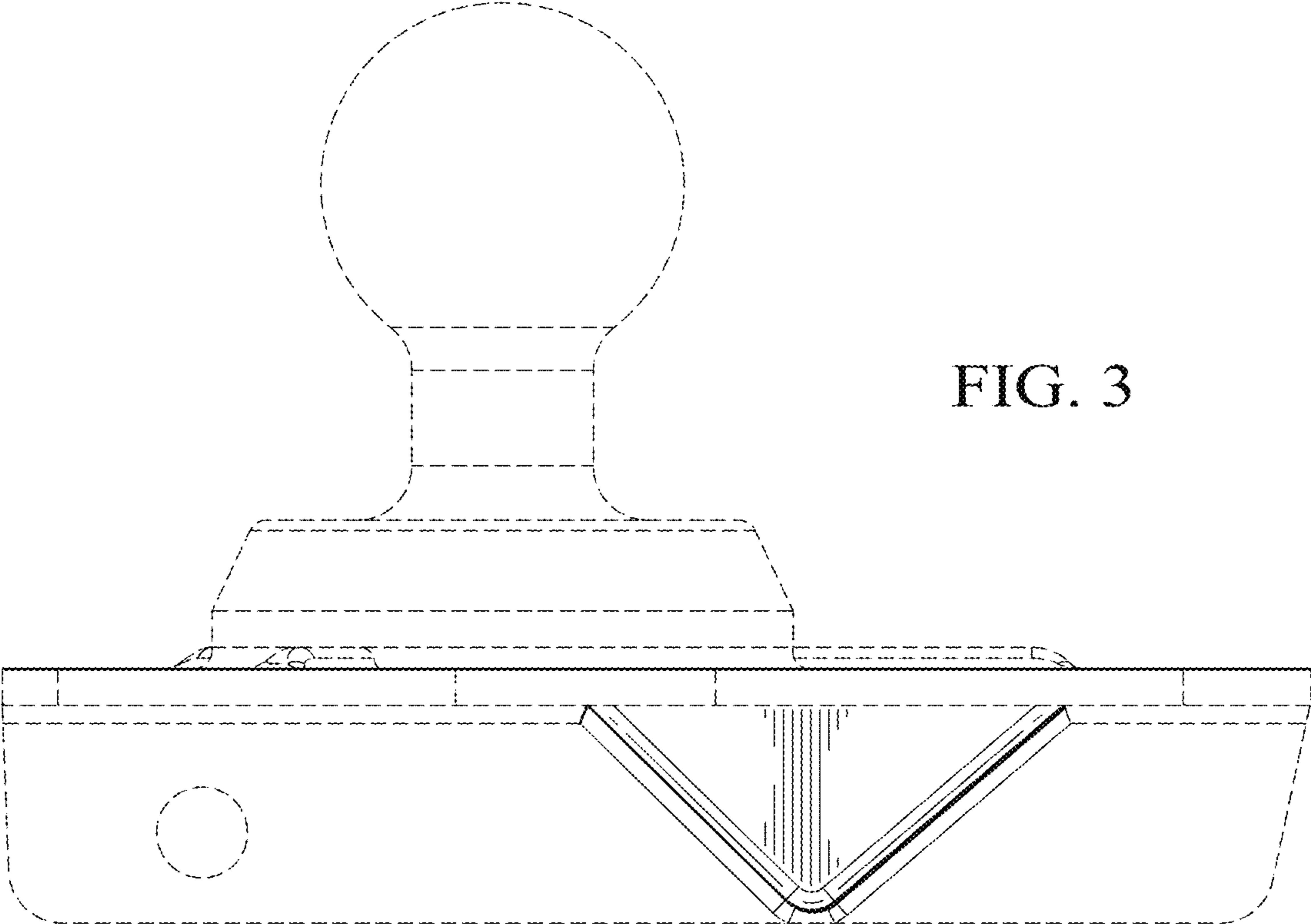


FIG. 4

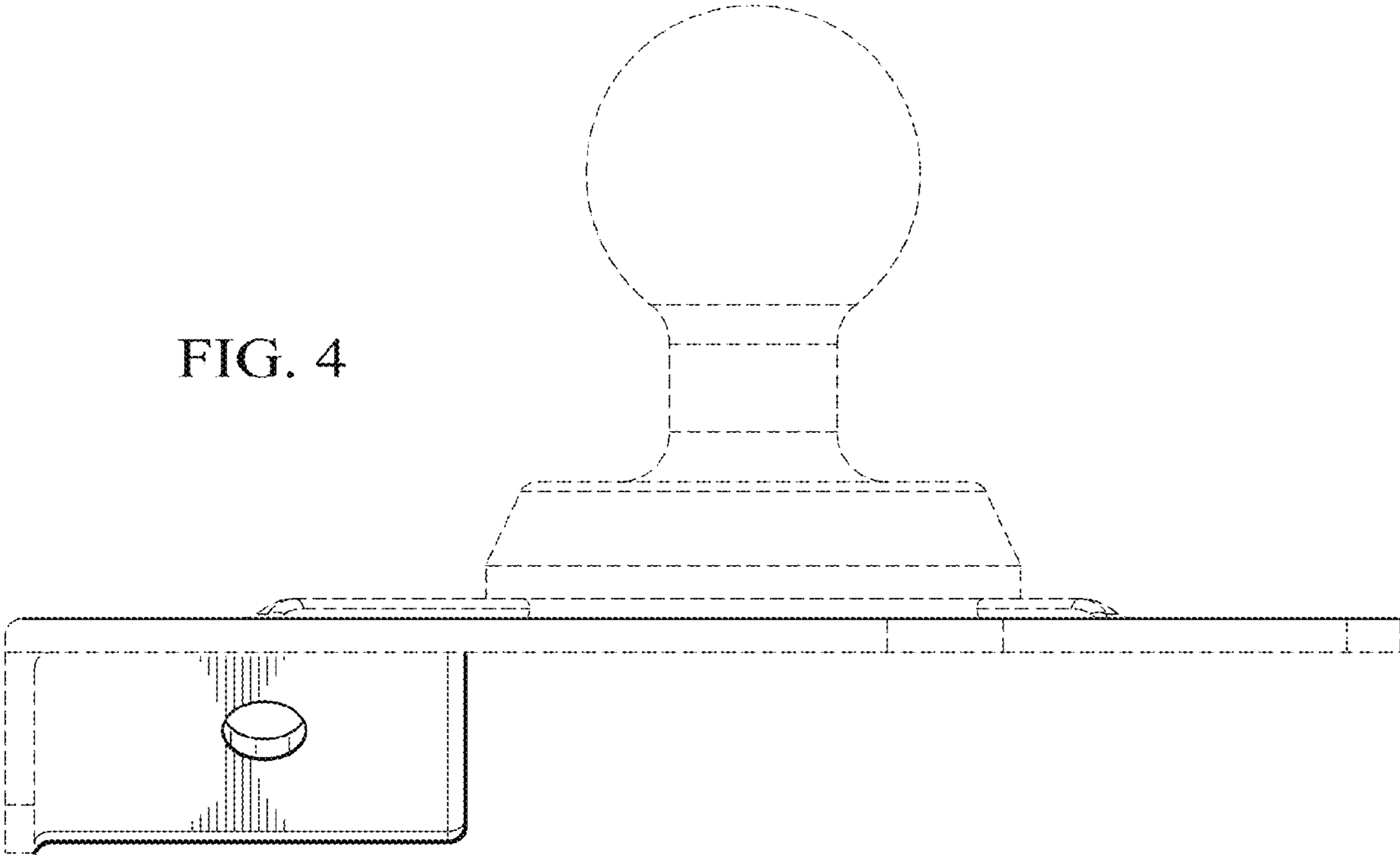
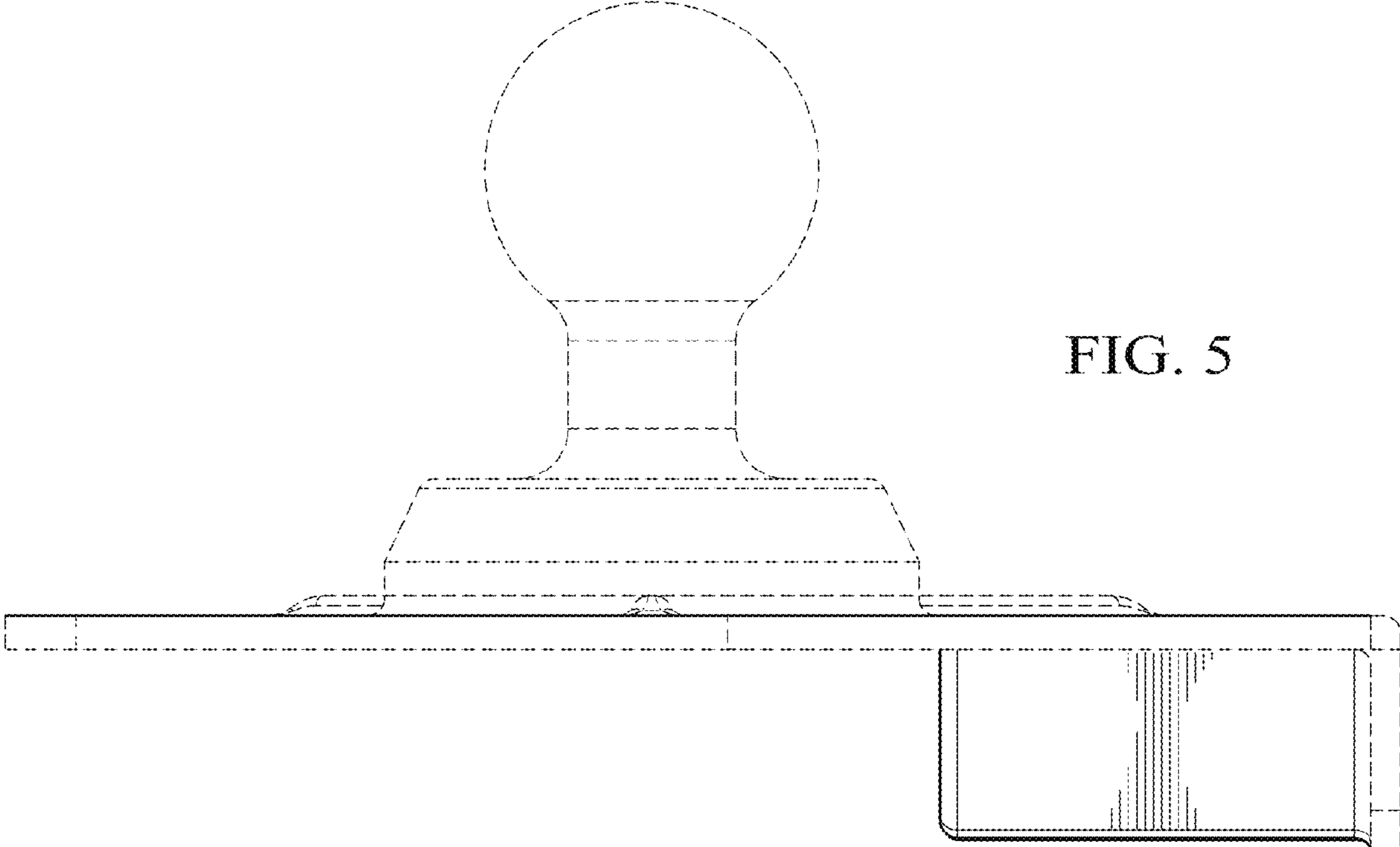


FIG. 5



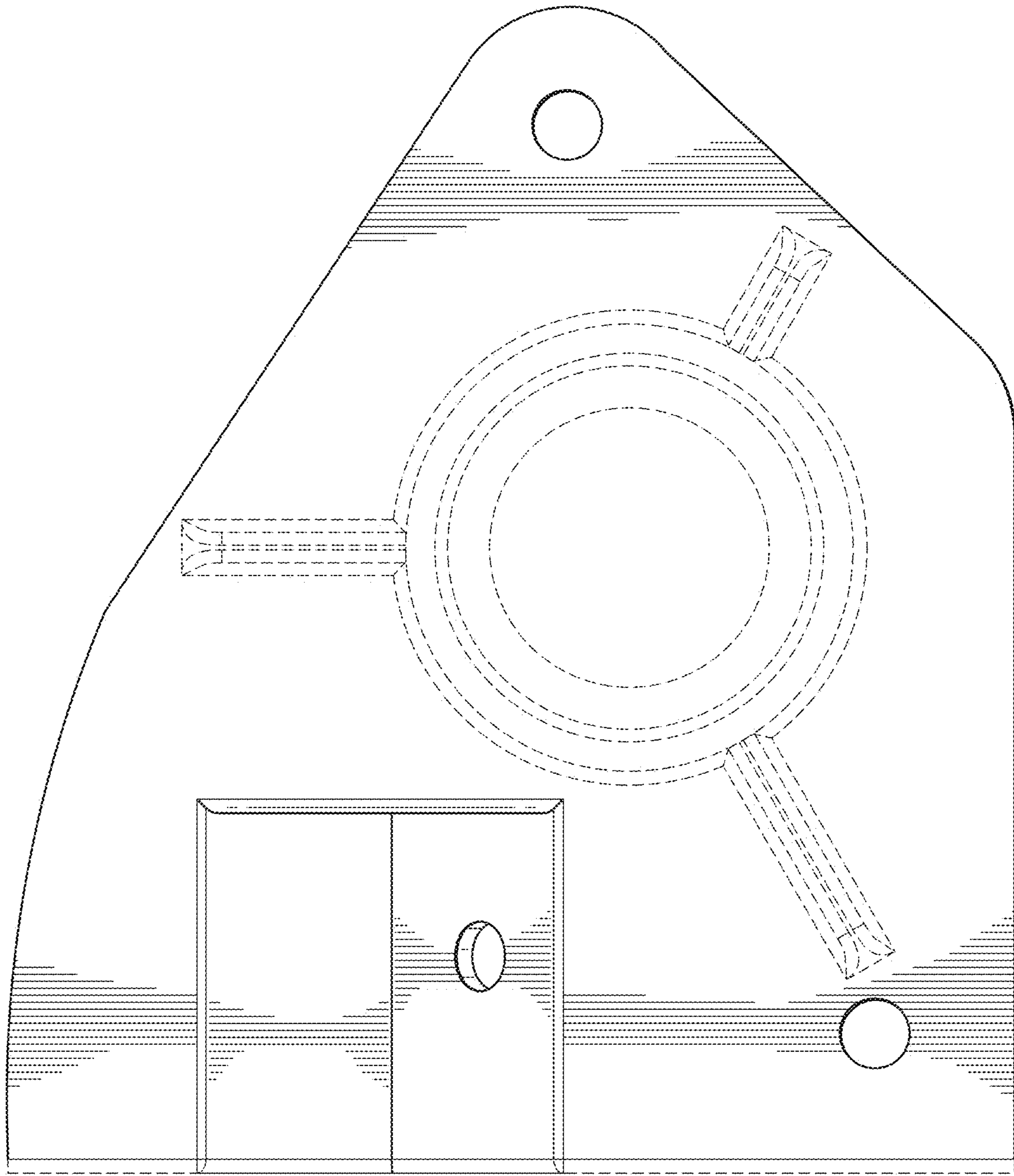


FIG. 6

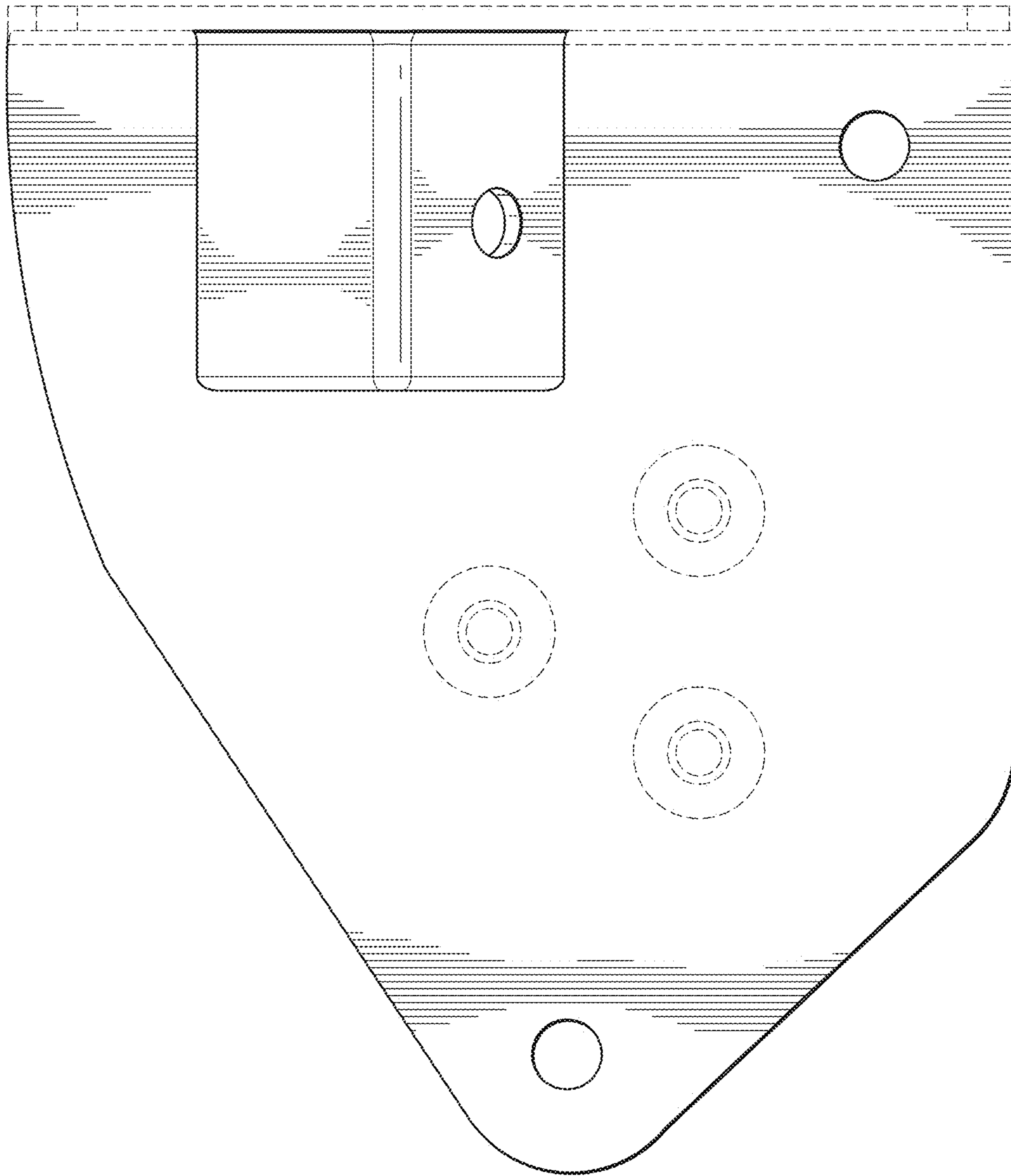


FIG. 7