



US00D876928S

(12) **United States Design Patent**  
**Cramer**

(10) **Patent No.:** **US D876,928 S**

(45) **Date of Patent:** **\*\* Mar. 3, 2020**

- (54) **LOCKING WHEEL SPACER**
- (71) Applicant: **OCM, INC.**, Vernon Hills, IL (US)
- (72) Inventor: **Andy Cramer**, Johnsburg, IL (US)
- (73) Assignee: **OCM, Inc.**, Grayslake, IL (US)
- (\*\*) Term: **15 Years**
- (21) Appl. No.: **29/663,000**
- (22) Filed: **Sep. 11, 2018**
- (51) **LOC (12) Cl.** ..... **08-05**
- (52) **U.S. Cl.**  
USPC ..... **D8/354**
- (58) **Field of Classification Search**  
USPC ..... D8/354, 349, 380, 384; 52/677, 678,  
52/679, 682, 684, 686, 687, 745.21, 688,  
52/689; D25/199  
CPC ... E04C 5/20; E04C 5/206; E04C 5/18; E04C  
5/168  
See application file for complete search history.

- 7,451,579 B2 11/2008 Azarin
- 7,726,090 B2 \* 6/2010 Verelli ..... E04C 5/203  
52/583.1
- D627,623 S \* 11/2010 Densmore ..... D8/354
- D641,611 S \* 7/2011 Minayoshi ..... D8/354
- 8,327,599 B2 12/2012 Gavin
- D822,456 S \* 7/2018 Treas ..... D8/354

\* cited by examiner

*Primary Examiner* — Randall H Gholson

(74) *Attorney, Agent, or Firm* — Liell & McNeil

(56) **References Cited**  
U.S. PATENT DOCUMENTS

- D223,701 S \* 5/1972 Lausch ..... D8/356
- 5,347,787 A 9/1994 Gavin

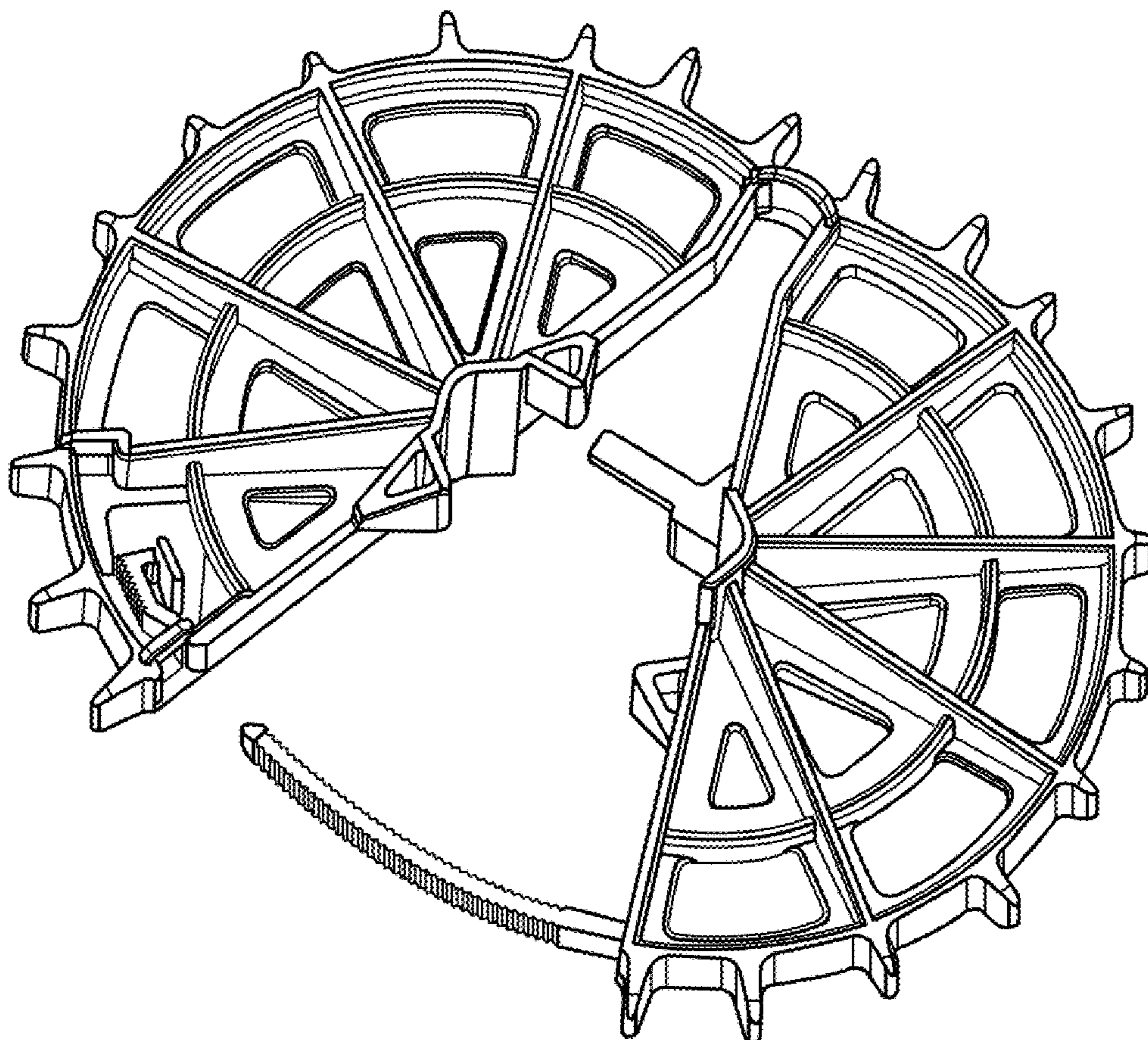
(57) **CLAIM**

The ornamental design for a locking wheel spacer, as shown and described.

**DESCRIPTION**

FIG. 1 is a top view of the locking wheel spacer according to the present design;  
FIG. 2 is a back side view of the locking wheel spacer;  
FIG. 3 is a front perspective view of the locking wheel spacer; and,  
FIG. 4 is a back perspective view of the locking wheel spacer.

**1 Claim, 1 Drawing Sheet**



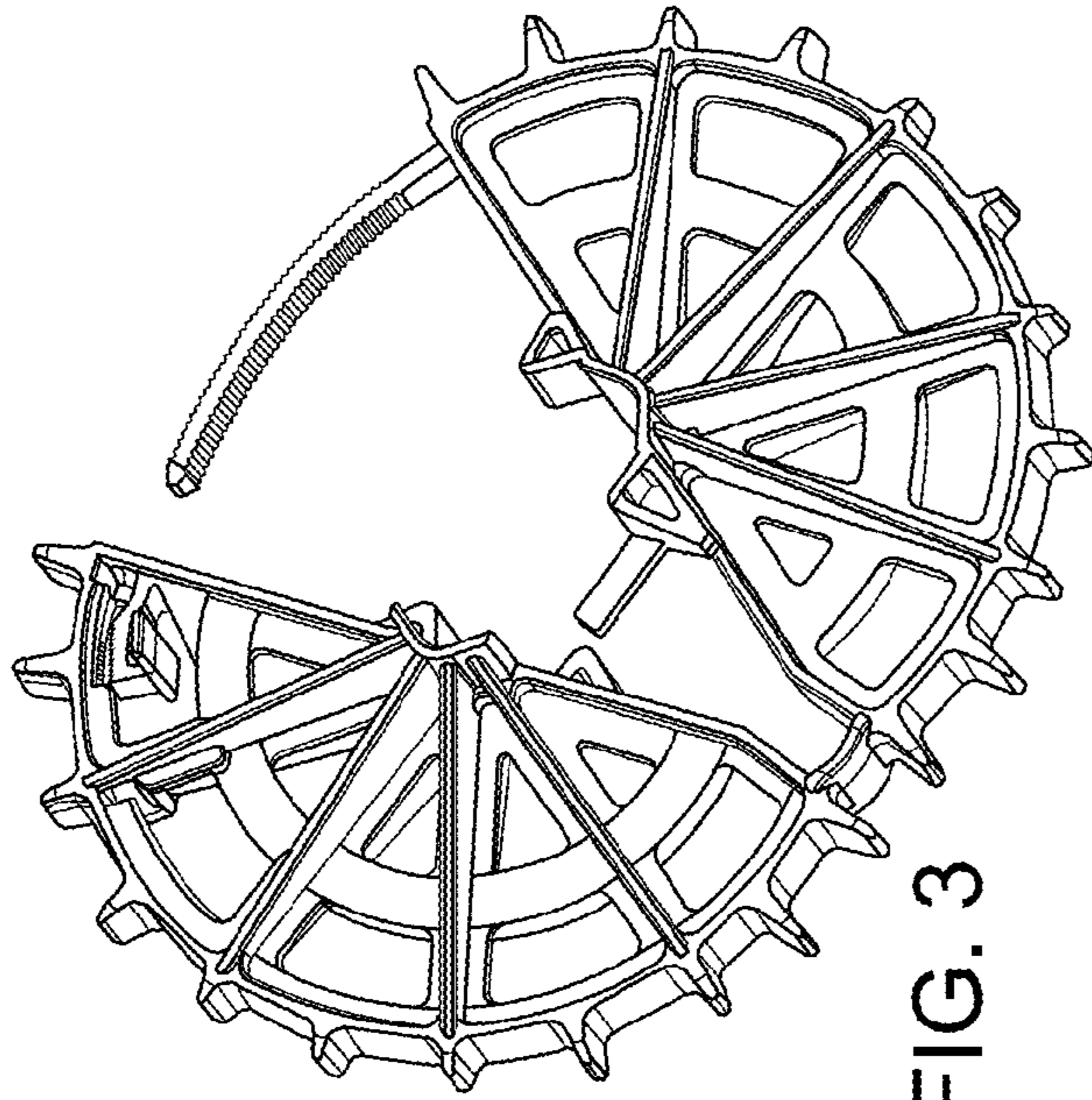


FIG. 3

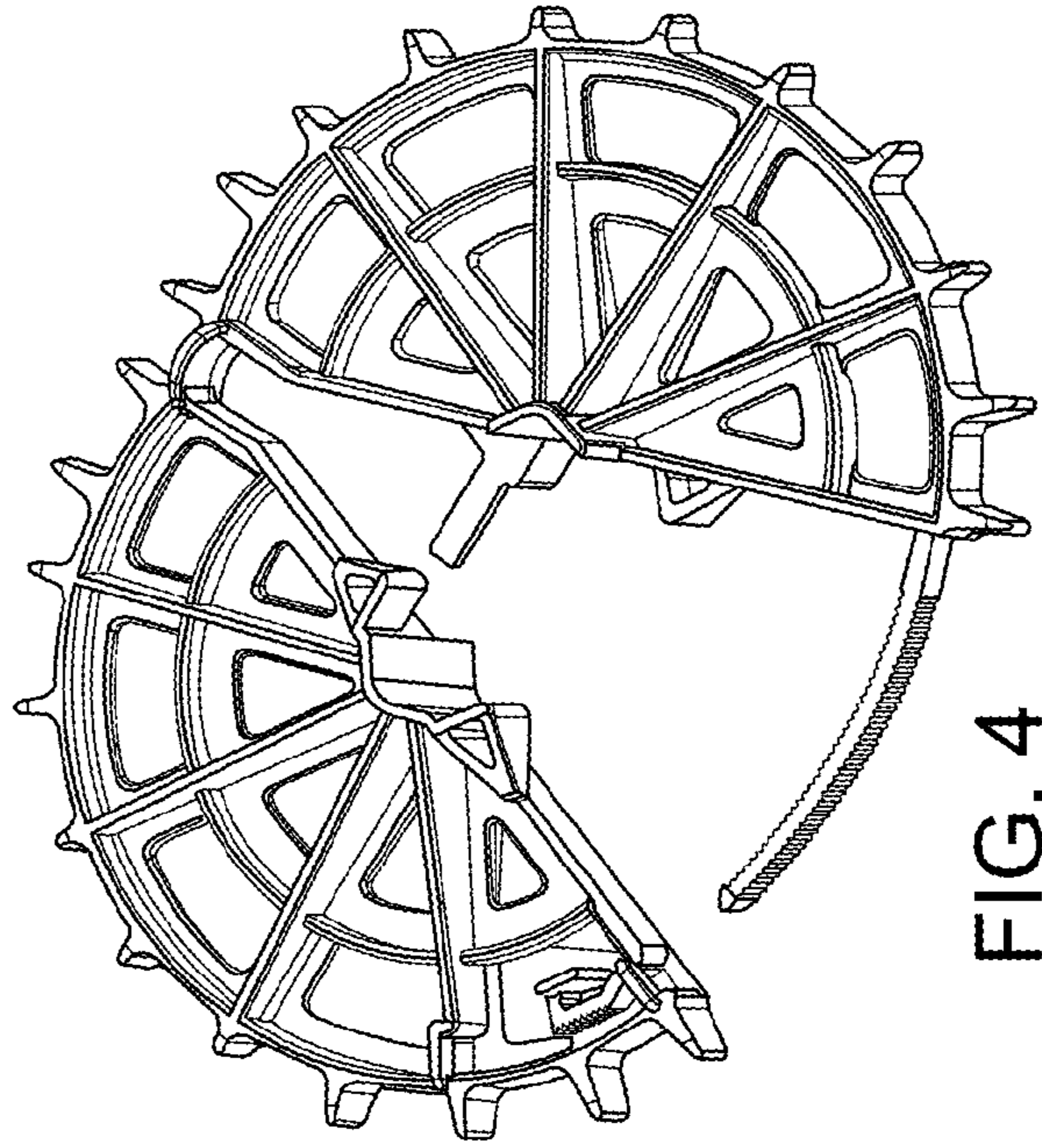


FIG. 4

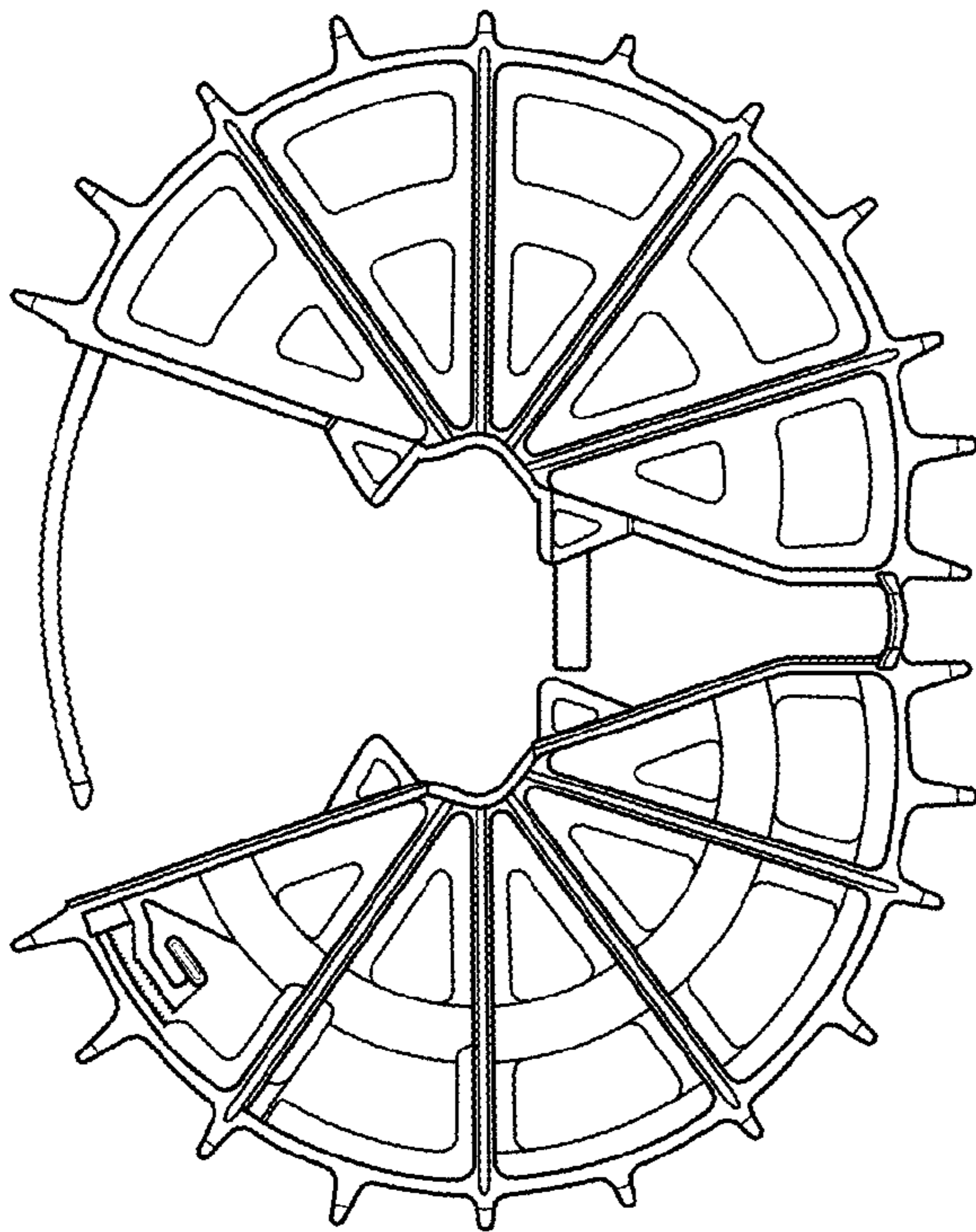


FIG. 1

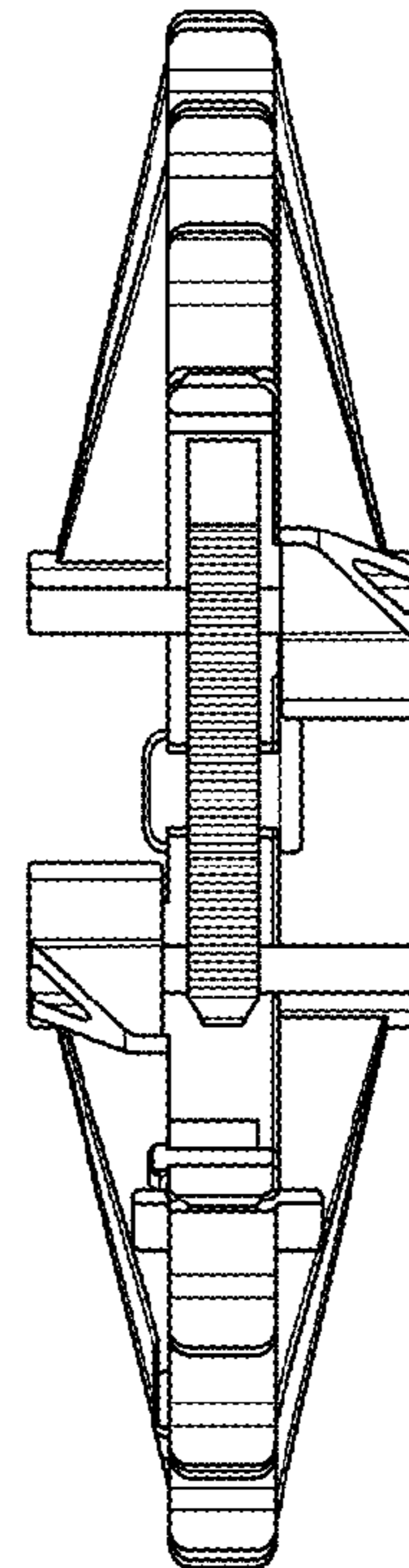


FIG. 2