



US00D876924S

(12) **United States Design Patent**  
**Xie et al.**

(10) **Patent No.:** **US D876,924 S**  
(45) **Date of Patent:** **\*\* Mar. 3, 2020**

(54) **SMART LOCK**  
(71) Applicant: **Shenzhen SeamoonCloud Technology Co., Ltd.**, Shenzhen, Guangdong Province (CN)  
(72) Inventors: **Xiao Xie**, Shenzhen (CN); **Peiji Li**, Shenzhen (CN)  
(\*\*) Term: **15 Years**  
(21) Appl. No.: **29/660,428**  
(22) Filed: **Aug. 21, 2018**  
(51) **LOC (12) Cl.** ..... **08-07**  
(52) **U.S. Cl.**  
USPC ..... **D8/331**  
(58) **Field of Classification Search**  
USPC ..... D8/330, 331, 336, 337, 338, 339, 341, D8/342, 343, 350, 352, 353  
CPC ... E05B 9/00; E05B 9/08; E05B 9/002; E05B 47/00; E05B 63/00; E05B 63/0004; E05B 63/06; E05B 51/00; E05B 55/00; E05B 47/0012; E05B 1/0007; E05B 47/068; E05B 2047/0017; E05B 2047/002; E05B 49/00; E05B 47/0657; E05B 45/06; E05B 47/0603; E05B 2047/0068; E05B 47/02; E05B 47/06; E05B 63/04; E05B 55/005; E05B 47/0043; E05B 3/00  
See application file for complete search history.

D594,311 S \* 6/2009 Stevens ..... D8/331  
D694,091 S \* 11/2013 Gartner ..... D8/330  
D709,754 S \* 7/2014 Lylyk ..... D8/331  
D720,201 S \* 12/2014 Gokcebay ..... D8/331  
D758,167 S \* 6/2016 Gartner ..... D8/331  
D758,168 S \* 6/2016 Gartner ..... D8/334  
D770,881 S \* 11/2016 Gartner ..... D8/331  
D793,205 S \* 8/2017 Ho ..... D8/300  
D795,041 S \* 8/2017 Oliva Camacho ..... D8/331  
D796,298 S \* 9/2017 Lylyk ..... D8/331  
9,874,042 B2 \* 1/2018 Gartner ..... E05B 47/026  
10,033,972 B2 \* 7/2018 Almomani ..... H04N 7/186  
D830,811 S \* 10/2018 Frantz ..... D8/330  
D837,031 S \* 1/2019 Cavanna ..... D8/331  
D843,197 S \* 3/2019 Dempsey ..... D8/343

\* cited by examiner

*Primary Examiner* — Steven J Cxyz  
(74) *Attorney, Agent, or Firm* — Novoclaims Patent Services LLC; Mei Lin Wong

(57) **CLAIM**

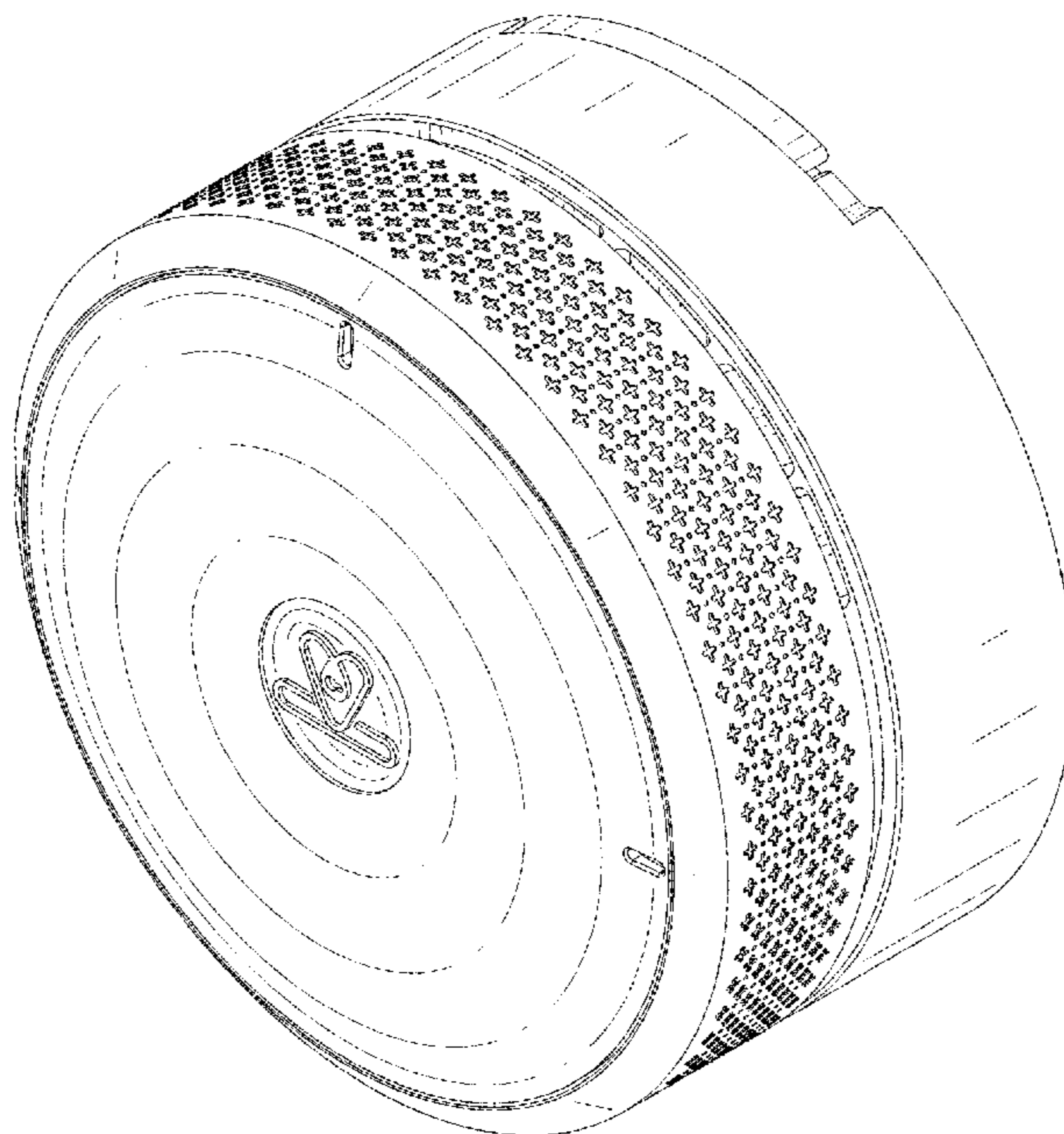
The ornamental design for a smart lock, as shown and described.

**DESCRIPTION**

FIG. 1 is a perspective view of a smart lock showing my new design;  
FIG. 2 is a rear perspective view thereof;  
FIG. 3 is a front view thereof;  
FIG. 4 is a rear view thereof;  
FIG. 5 is a left side view thereof;  
FIG. 6 is a right side view thereof;  
FIG. 7 is a top view thereof; and,  
FIG. 8 is a bottom view thereof.  
The broken lines depict portions of the article that form no part of the claimed design.

(56) **References Cited**  
U.S. PATENT DOCUMENTS  
D463,968 S \* 10/2002 LaPlume ..... D8/352  
D465,989 S \* 11/2002 Carsello ..... D8/352  
6,722,170 B2 \* 4/2004 Squier ..... E05B 9/08  
292/DIG. 53  
D561,001 S \* 2/2008 Rohde ..... D8/334

**1 Claim, 8 Drawing Sheets**



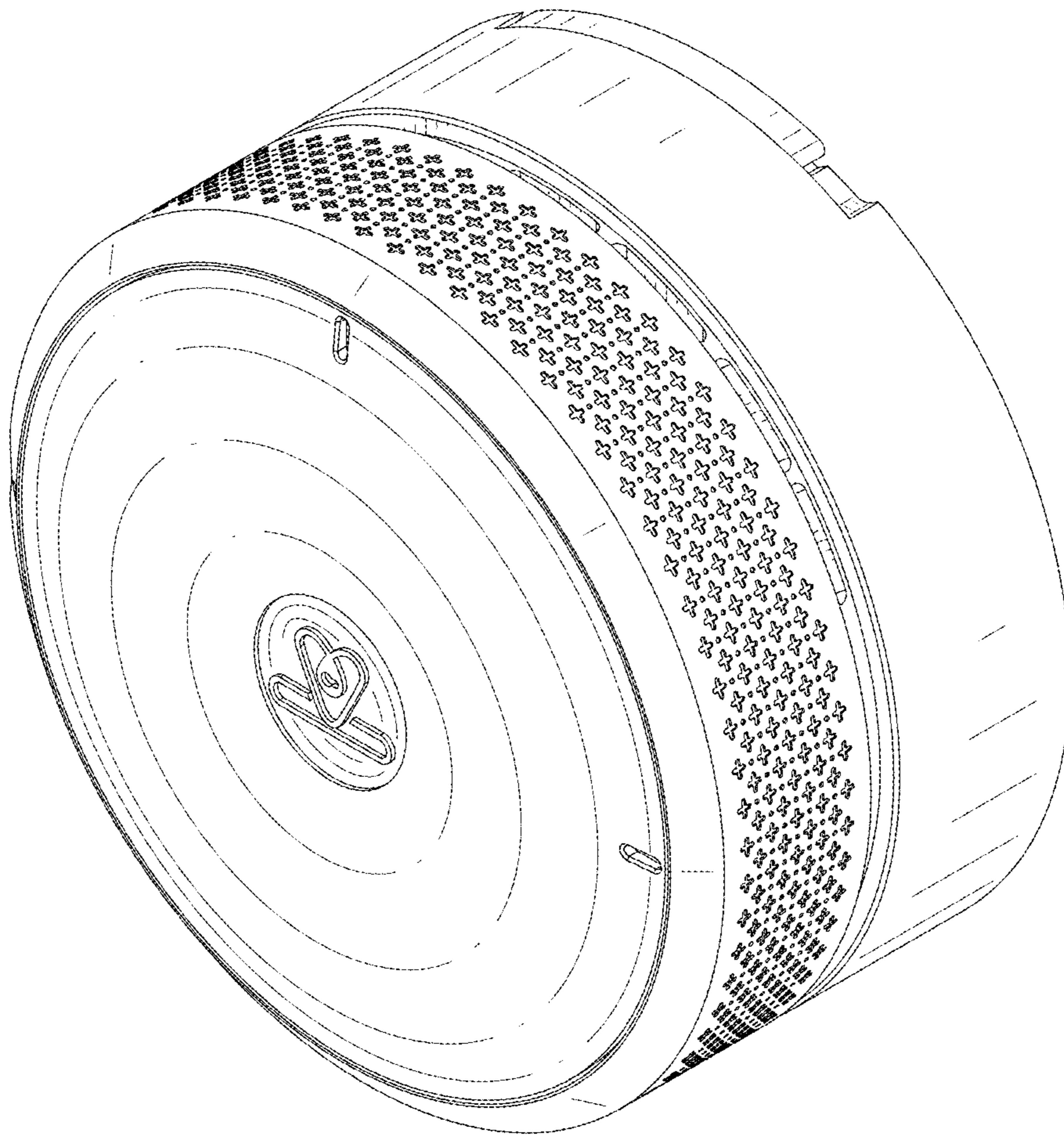


FIG.1

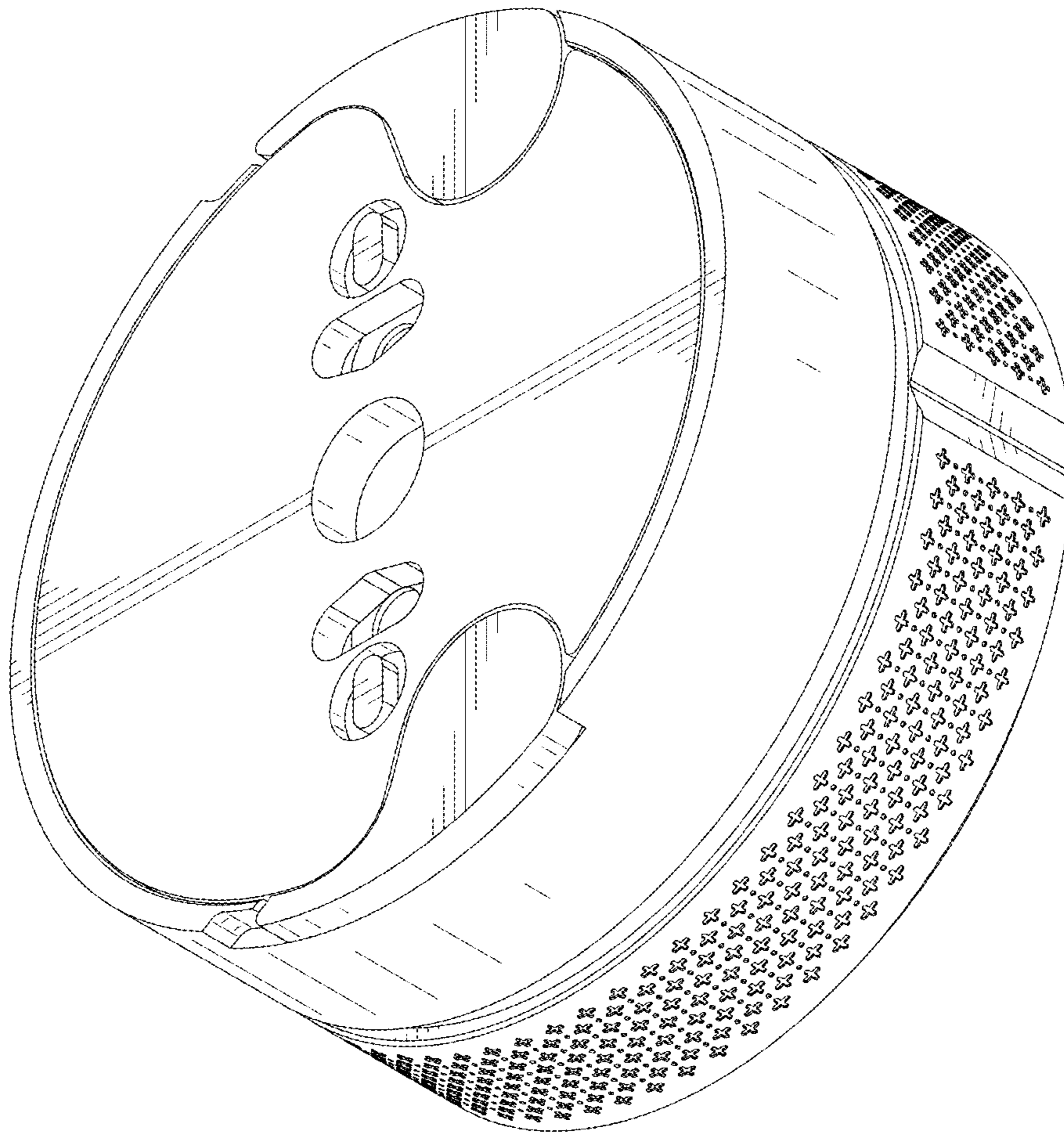


FIG.2

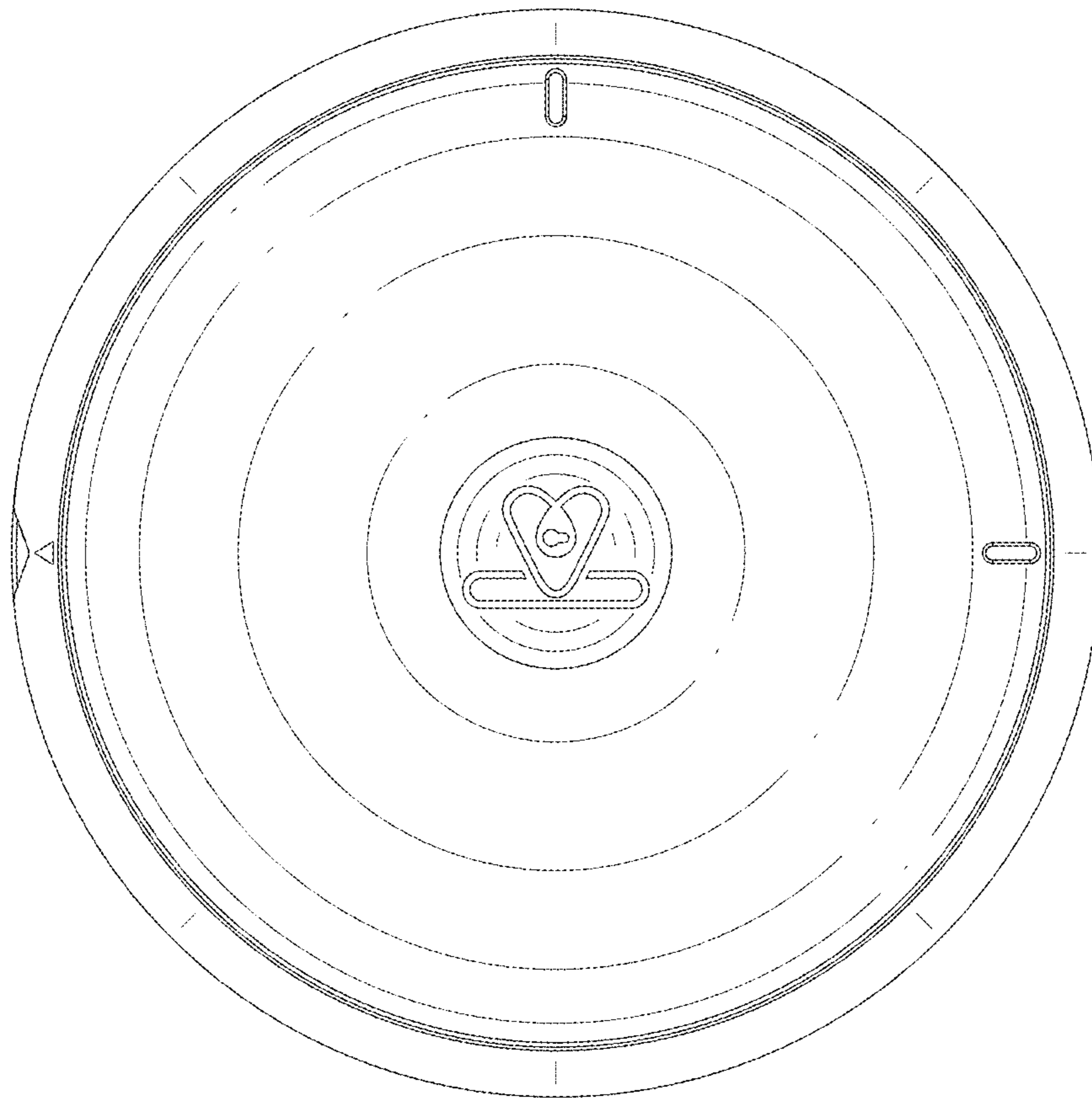


FIG.3

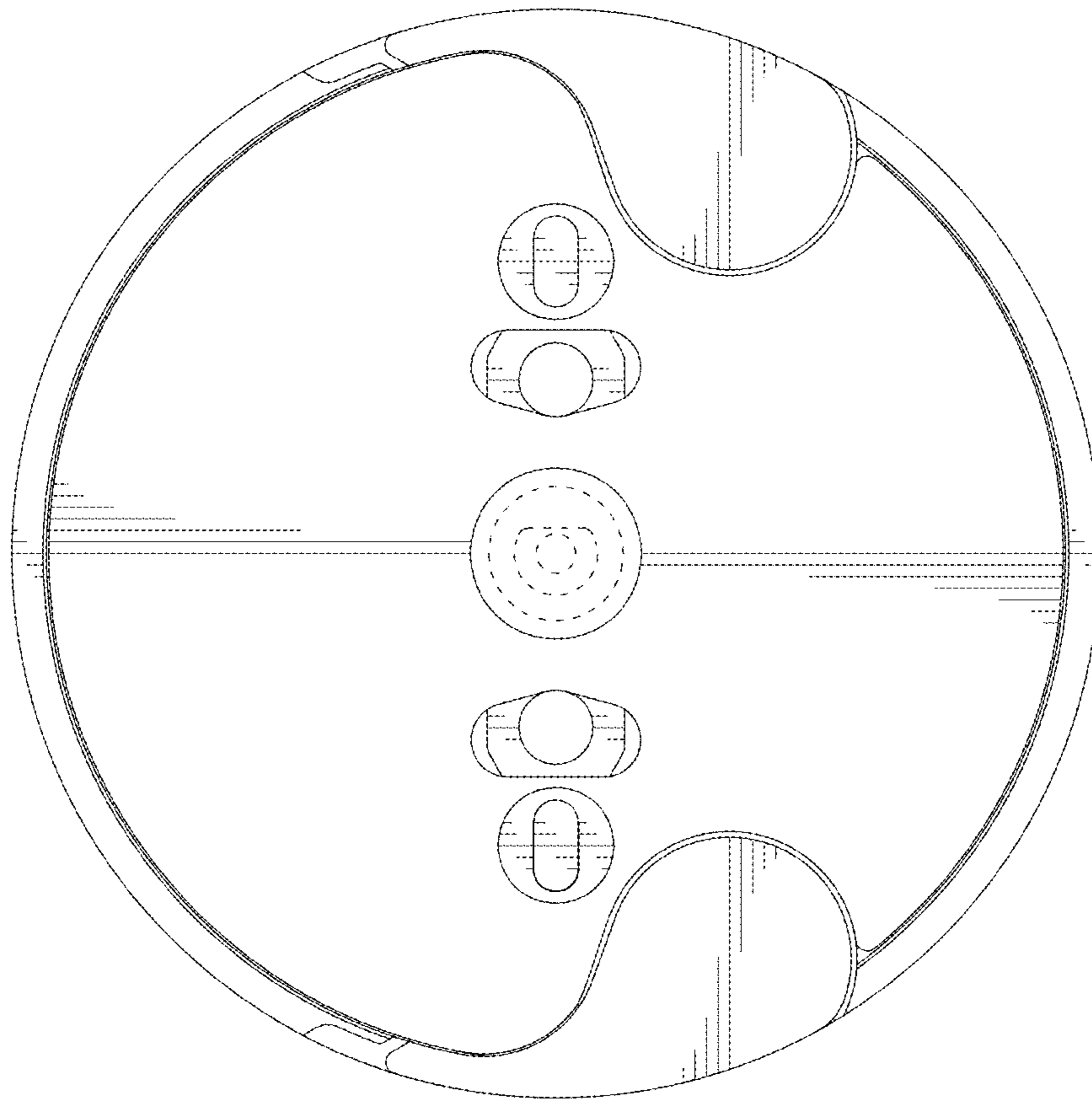


FIG.4

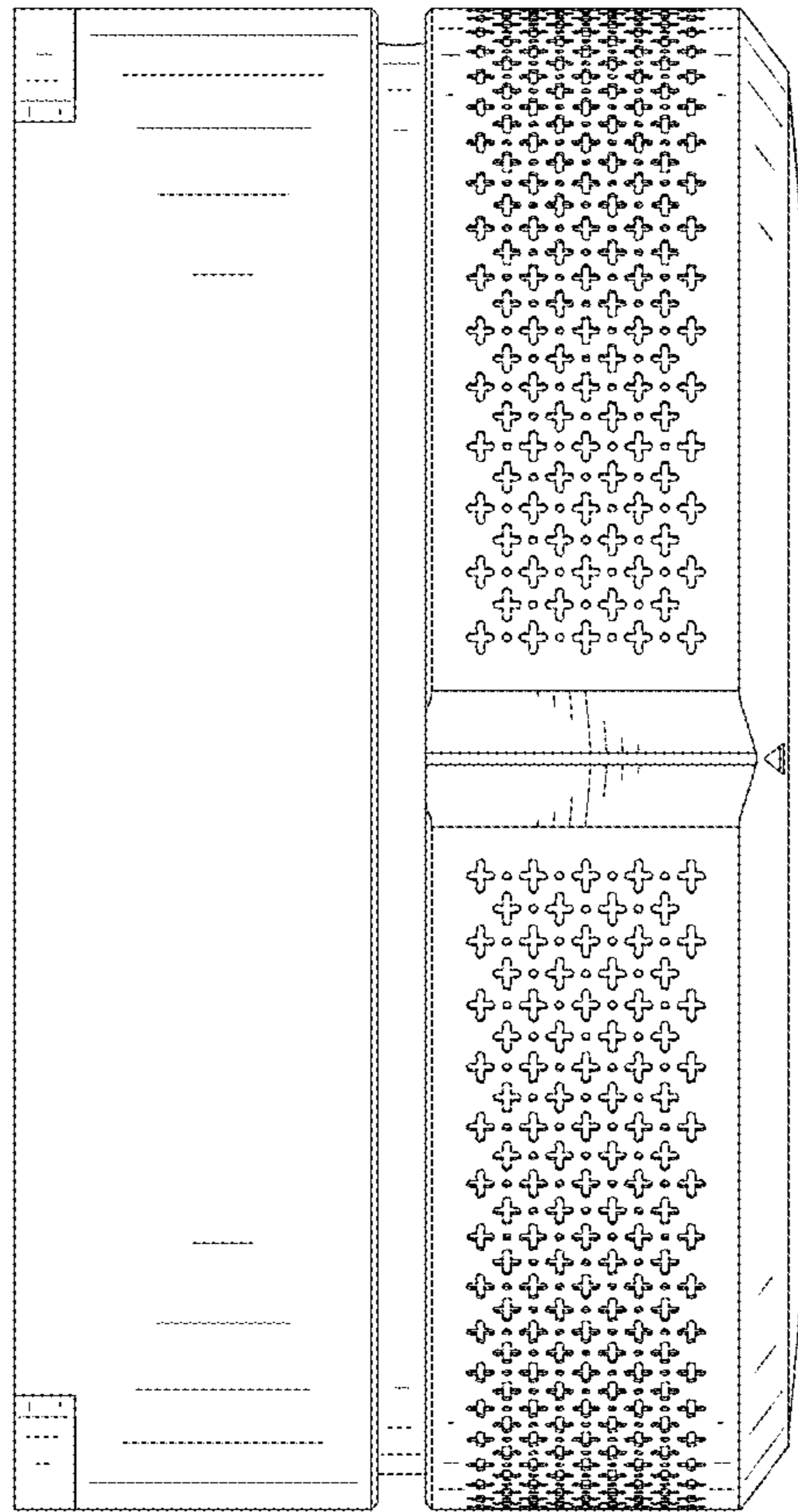


FIG.5

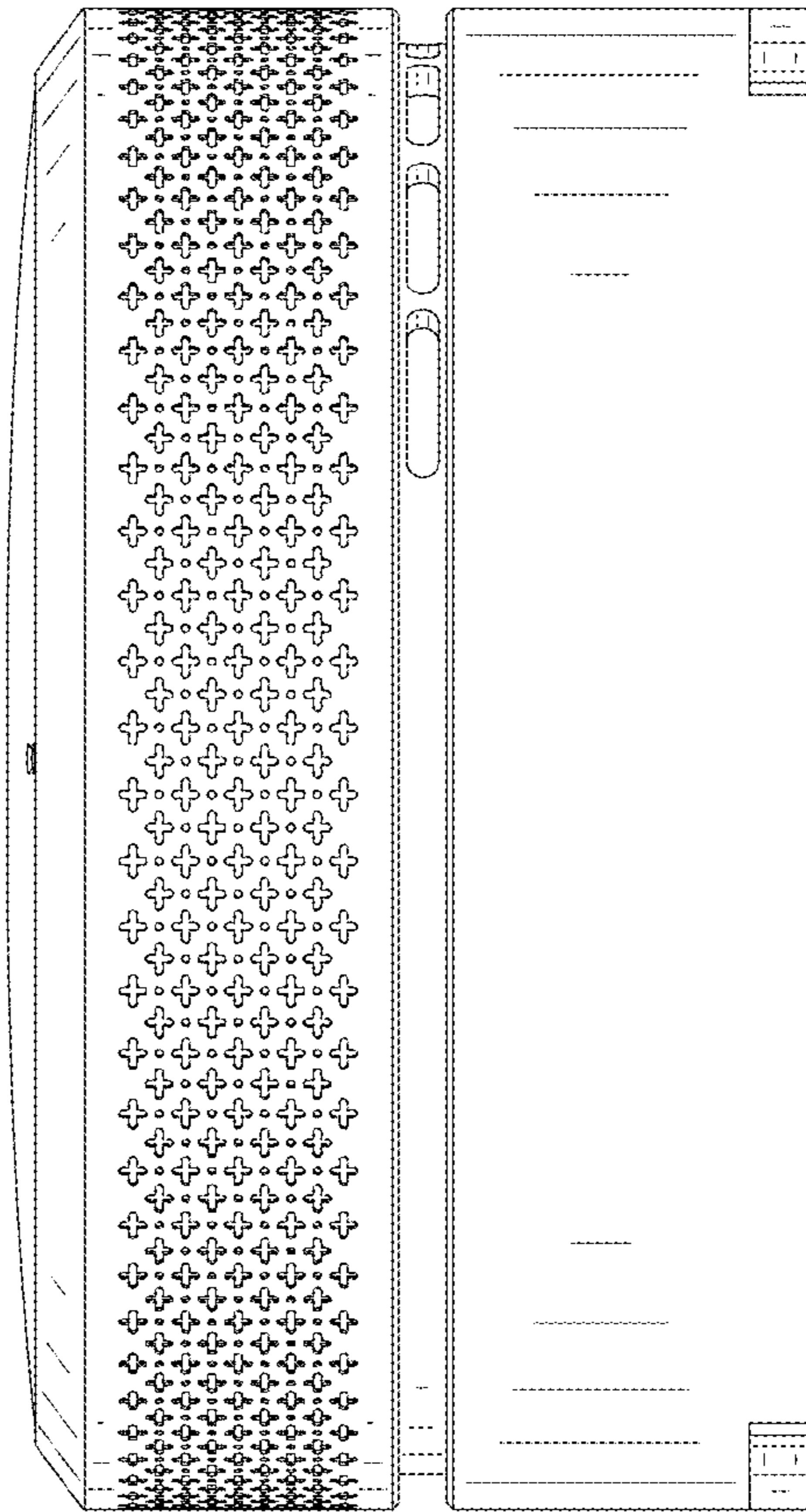


FIG.6

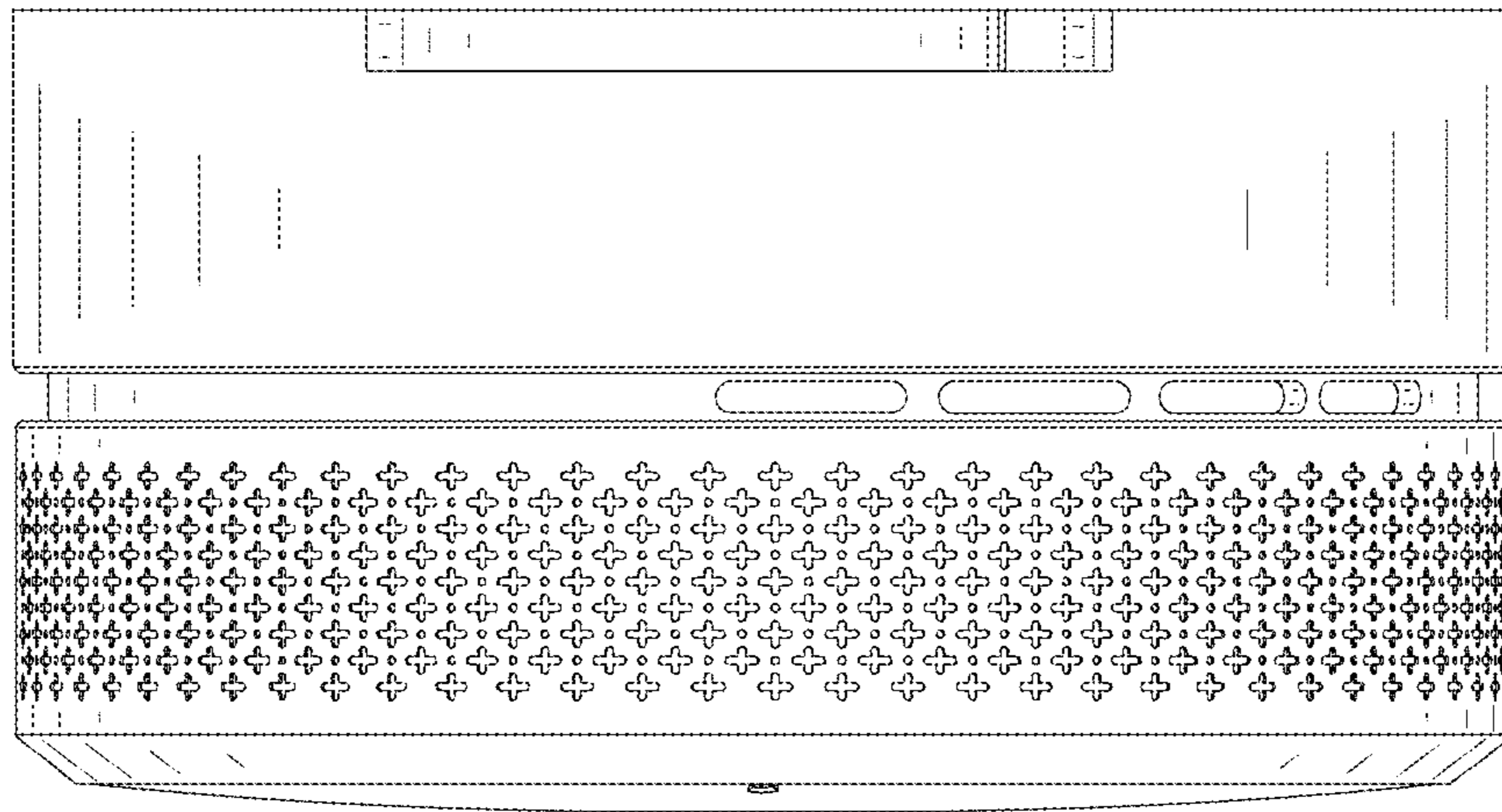


FIG. 7



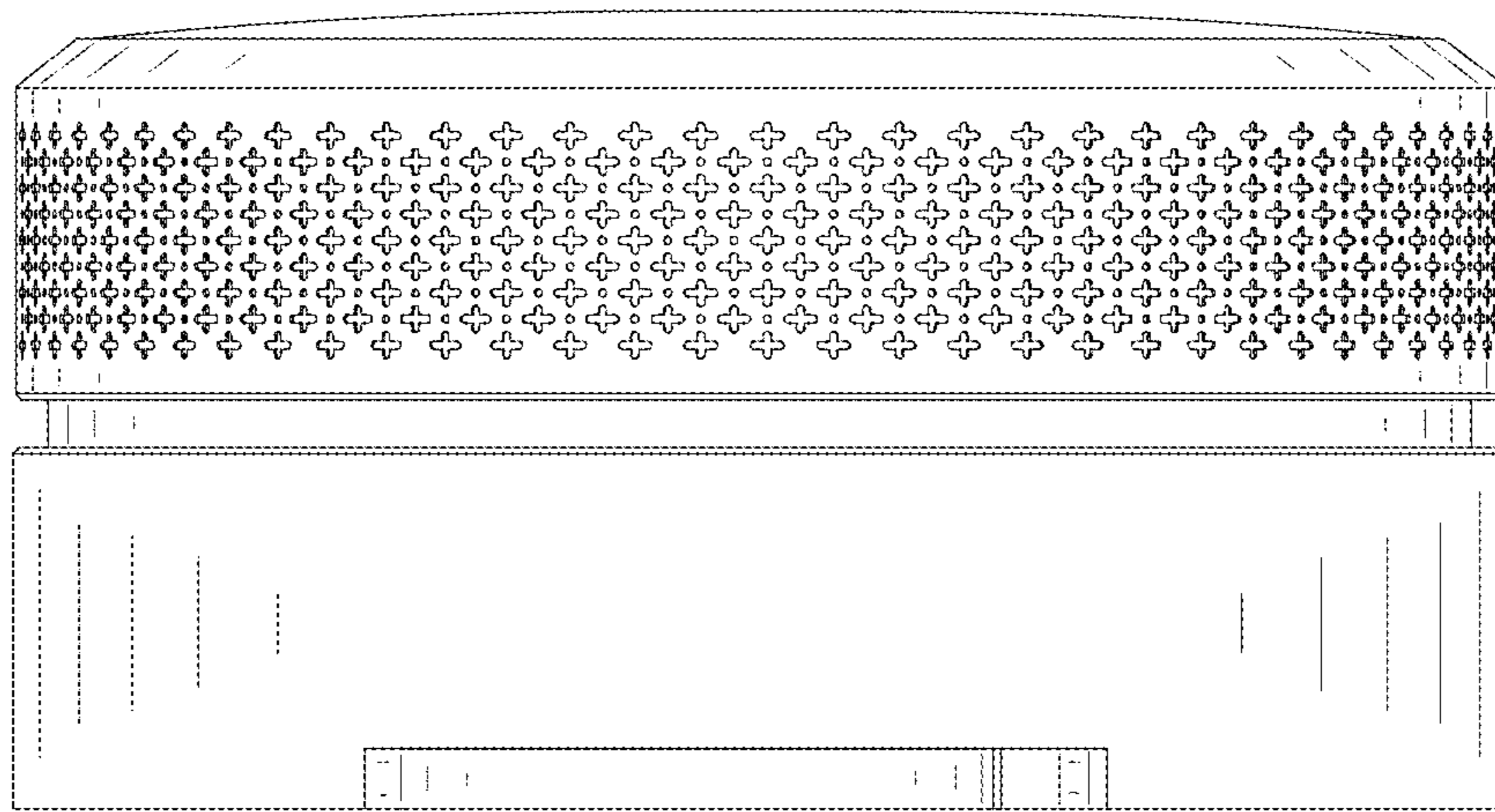


FIG.8