



US00D876923S

(12) **United States Design Patent** (10) **Patent No.:** **US D876,923 S**
Wong et al. (45) **Date of Patent:** **** Mar. 3, 2020**

- (54) **DOOR LOCK**
- (71) Applicant: **ASSA ABLOY Residential Group, Inc.**, New Haven, CT (US)
- (72) Inventors: **Wai P. Wong**, Orange, CT (US); **Kevin M. Kraus**, Monument, CO (US); **Andrew DaSilva**, Naugatuck, CT (US)
- (73) Assignee: **ASSA ABLOY Residential Group, Inc.**, New Haven, CT (US)
- (**) Term: **15 Years**
- (21) Appl. No.: **29/639,989**
- (22) Filed: **Mar. 9, 2018**
- (51) **LOC (12) Cl.** **08-07**
- (52) **U.S. Cl.**
USPC **D8/331**
- (58) **Field of Classification Search**
USPC D8/301, 302, 330, 331, 333, 334, 335, D8/336, 337, 338, 341, 342, 348, 350, D8/352, 339, 400, 499; 70/14, 20, 78, 70/91, 92, 102, 141, 237, 262, 263, 268, 70/278.1, 279.1, 416, 465, 442, 443, 214, 70/447
CPC ... E05B 9/00; E05B 9/02; E05B 47/00; E05B 49/00; E05B 37/00; E05B 1/00
See application file for complete search history.

- D811,852 S * 3/2018 Xin D8/331
- D817,148 S 5/2018 Carpintero et al.
- D818,795 S * 5/2018 Morstatt D8/331
- 2003/0132829 A1 7/2003 Frolov et al.
- 2018/0266142 A1* 9/2018 Wong E05B 17/002
- 2018/0320413 A1 11/2018 Wong

OTHER PUBLICATIONS

U.S. Appl. No. 29/639,979, filed Mar. 9, 2018, Wong et al.
U.S. Appl. No. 29/639,981, filed Mar. 9, 2018, Wong et al.

* cited by examiner

Primary Examiner — Ian Simmons
Assistant Examiner — Yolanda Robinson
(74) *Attorney, Agent, or Firm* — Wolf, Greenfield & Sacks, P.C.

(57) **CLAIM**

The ornamental design for a door lock, as shown and described.

DESCRIPTION

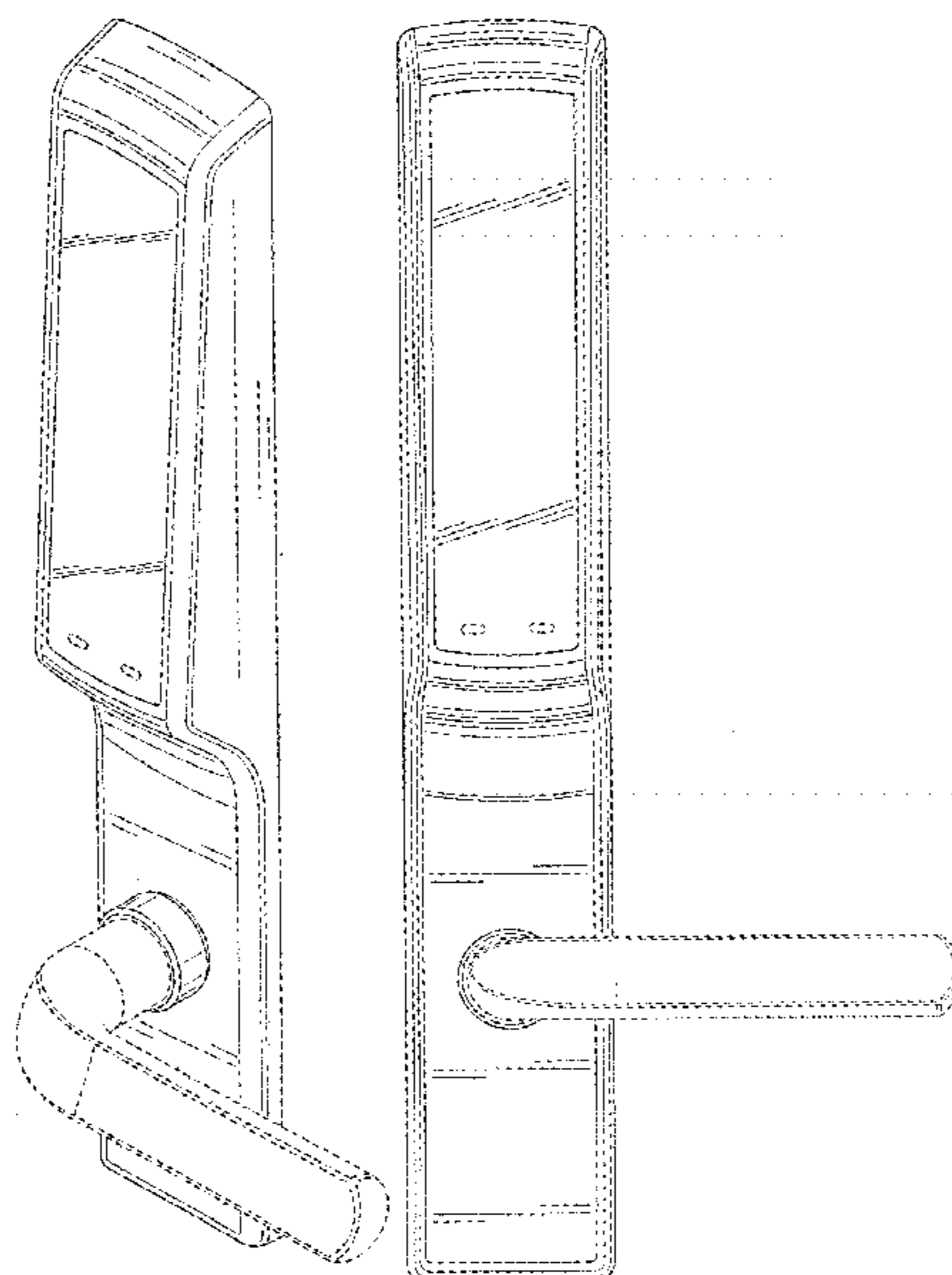
FIG. 1 is a top, front, left side perspective view of an embodiment of a door lock;
FIG. 2 is a top, front, right side perspective view of FIG. 1;
FIG. 3 is a front elevation view of FIG. 1;
FIG. 4 is a rear elevation view of FIG. 1;
FIG. 5 is a left side elevation view of FIG. 1;
FIG. 6 is a right side elevation view of FIG. 1;
FIG. 7 is a top plan view of FIG. 1; and,
FIG. 8 is a bottom plan view of FIG. 1.
The dash-dash broken lines show portions of the door lock that form no part of the claimed design. The dot-dash broken lines represent boundaries of the claimed design and form no part of the claimed design. Any broken line illustration of environmental structure in the drawing is not part of the design sought to be patented.

1 Claim, 8 Drawing Sheets

(56) **References Cited**

U.S. PATENT DOCUMENTS

- 6,733,050 B1 * 5/2004 Yao E05B 63/044 292/137
- D512,899 S 12/2005 Oskamp et al.
- D607,303 S * 1/2010 Kim D8/331
- 8,677,792 B2 3/2014 Wheeler
- D752,946 S 4/2016 Shen
- D753,463 S * 4/2016 Gokcebay D8/330



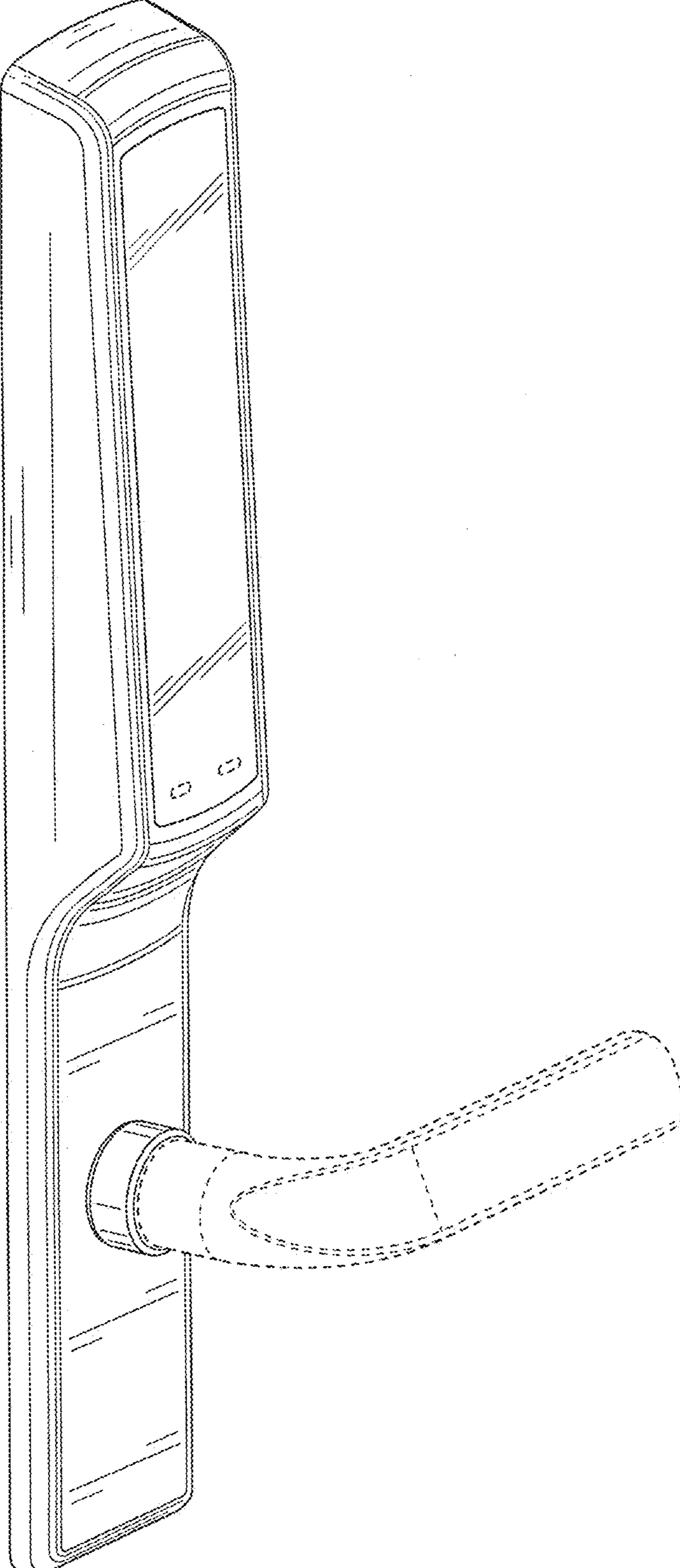


FIG. 1

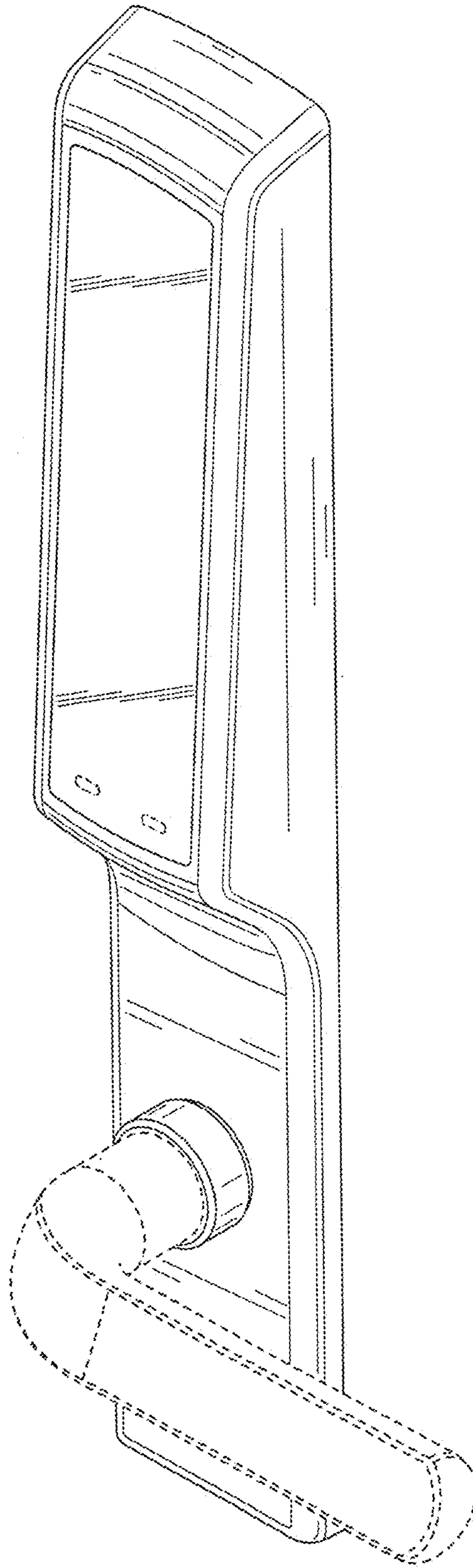


FIG. 2

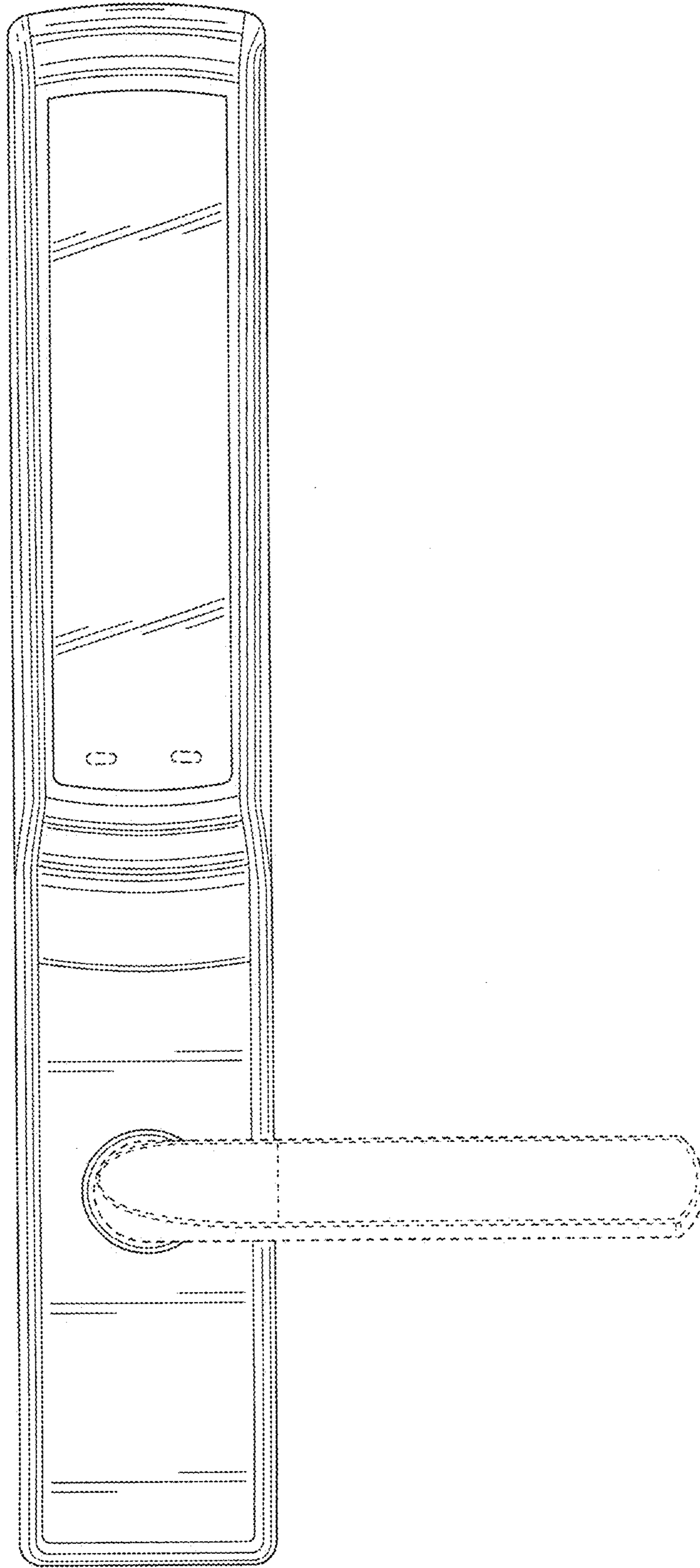


FIG. 3

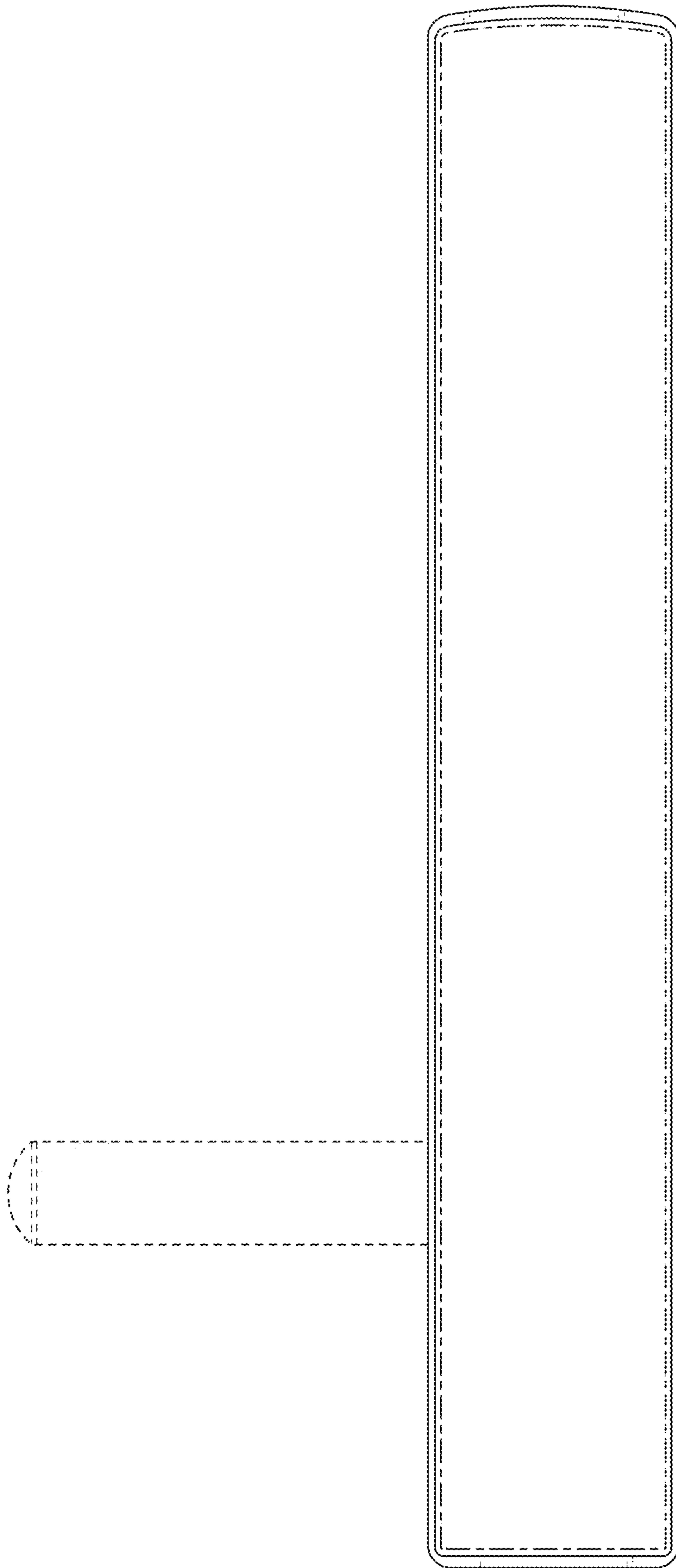


FIG. 4

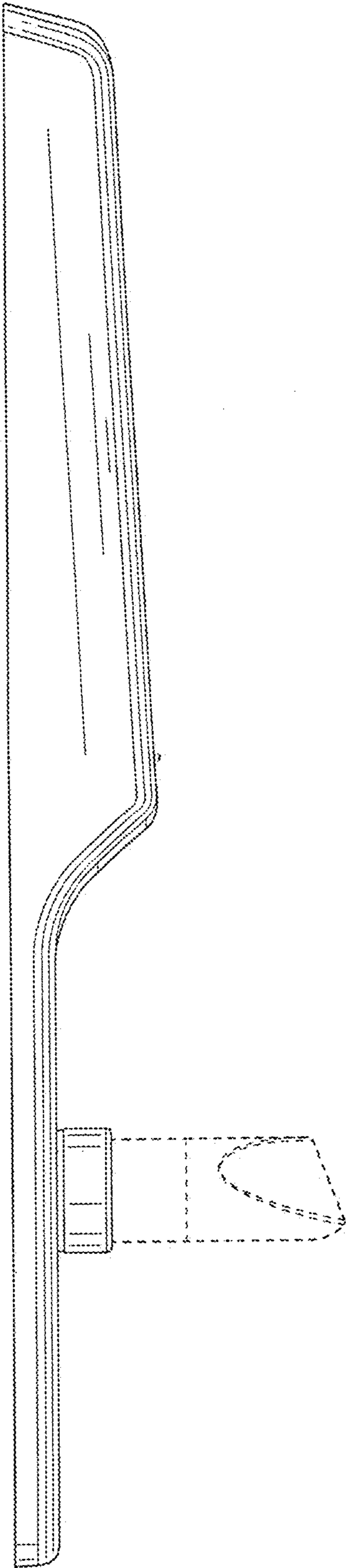


FIG. 5

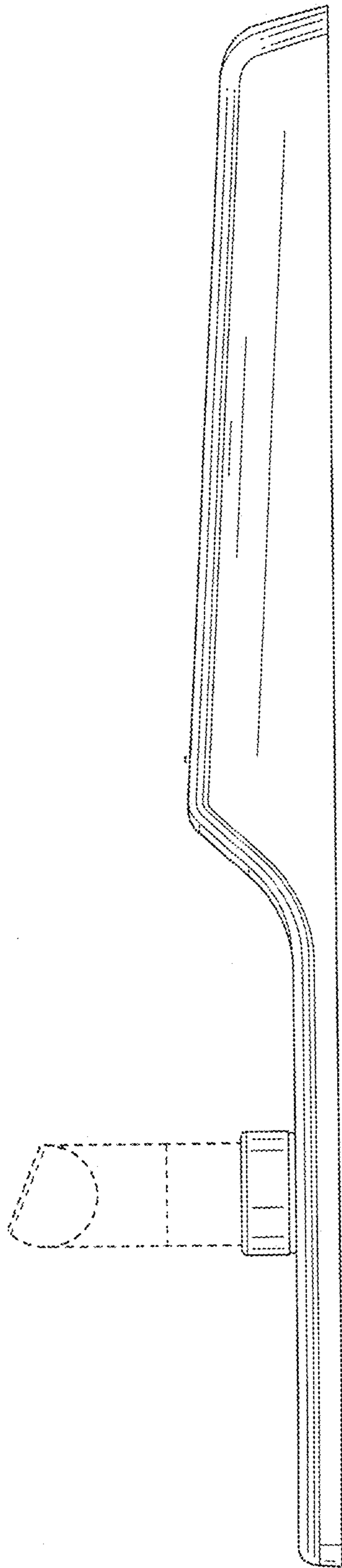


FIG. 6

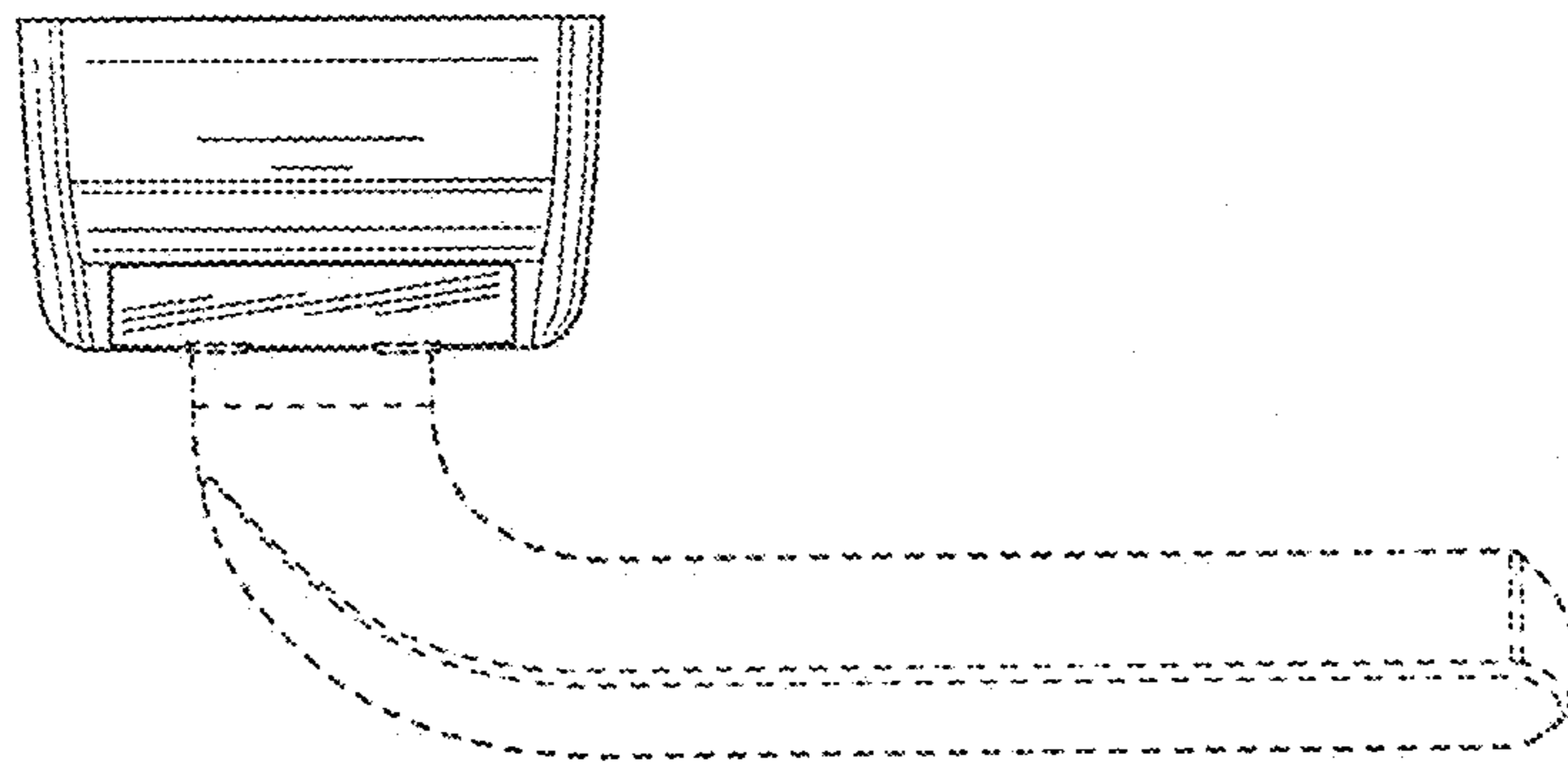


FIG. 7

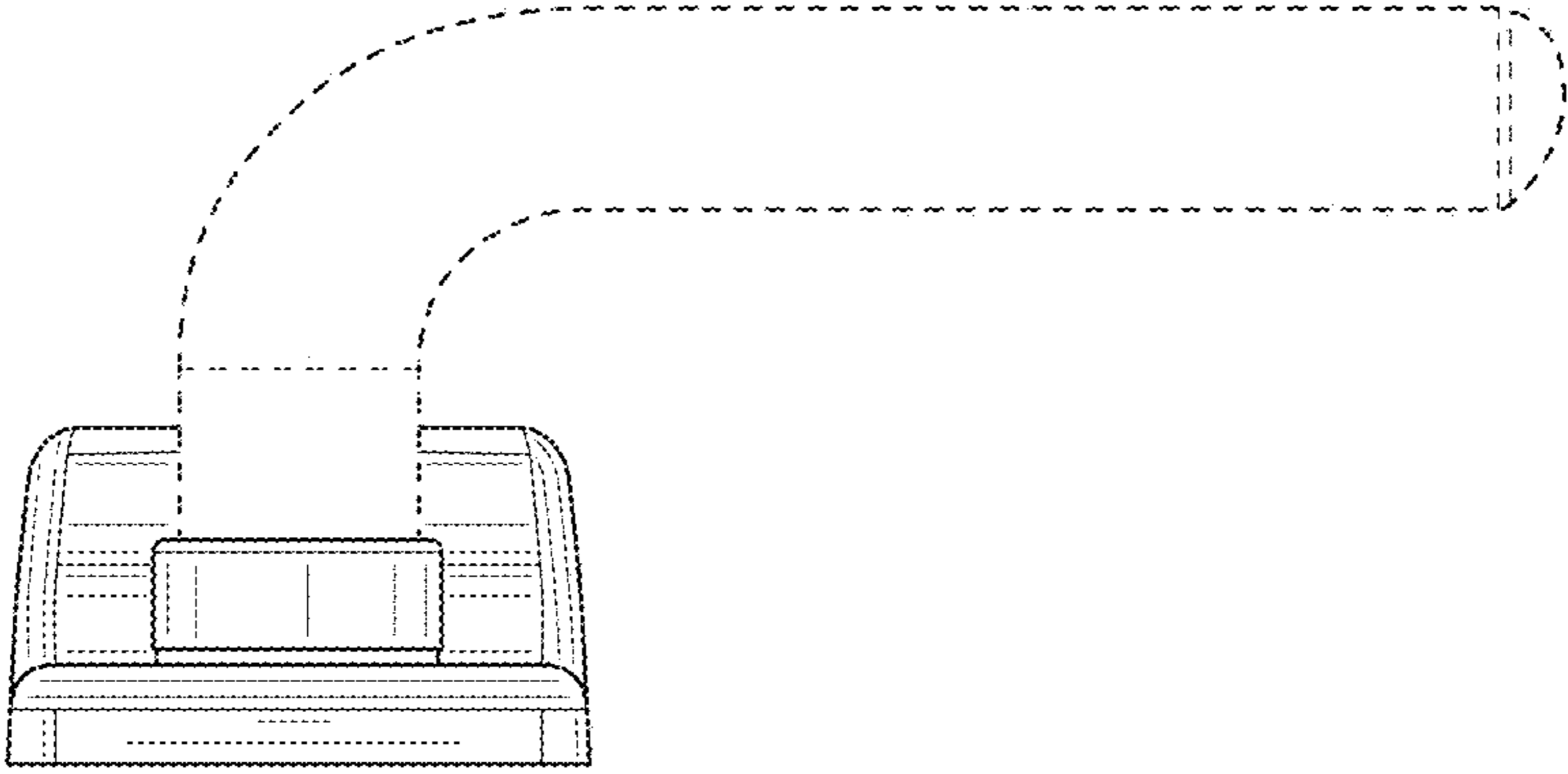


FIG. 8