



US00D876921S

(12) **United States Design Patent**
Allen

(10) **Patent No.:** **US D876,921 S**
(45) **Date of Patent:** **** Mar. 3, 2020**

- (54) **UTILITY PRY BAR TOOL**
- (71) Applicant: **Jerod Allen**, Kansas City, KS (US)
- (72) Inventor: **Jerod Allen**, Kansas City, KS (US)
- (**) Term: **15 Years**
- (21) Appl. No.: **29/642,996**
- (22) Filed: **Apr. 3, 2018**
- (51) **LOC (12) Cl.** **08-05**
- (52) **U.S. Cl.**
USPC **D8/89**
- (58) **Field of Classification Search**
USPC D8/14, 88, 89, 105; D32/46, 47, 49
CPC B25C 11/00; B66F 15/00; E04D 15/00;
E04G 23/086
See application file for complete search history.

(56) **References Cited**

U.S. PATENT DOCUMENTS

3,134,574	A *	5/1964	Reuterfors	E04G 23/08 254/131
D386,057	S *	11/1997	Hreha	D8/89
5,695,172	A *	12/1997	Hreha	B25C 11/00 254/18
D444,690	S *	7/2001	Bond	B66F 15/00 D8/16
D506,118	S *	6/2005	Rau	D8/89
7,185,879	B1 *	3/2007	Lejuez	B25C 11/00 254/21
D627,617	S *	11/2010	Chambers	D8/89
8,567,760	B2 *	10/2013	Sindt	B25C 11/00 254/25

8,955,827	B2 *	2/2015	Brown	B25F 1/006 254/21
2005/0062026	A1 *	3/2005	Holcomb	B25C 11/00 254/25
2008/0217592	A1 *	9/2008	Chambers	B25C 11/00 254/25
2013/0263382	A1 *	10/2013	Sindt	B25C 11/00 7/166
2018/0227751	A1 *	8/2018	Wang	H04W 12/02

* cited by examiner

Primary Examiner — Philip S Hyder

(74) *Attorney, Agent, or Firm* — Erickson Kernell IP, LLC; Mark C. Young

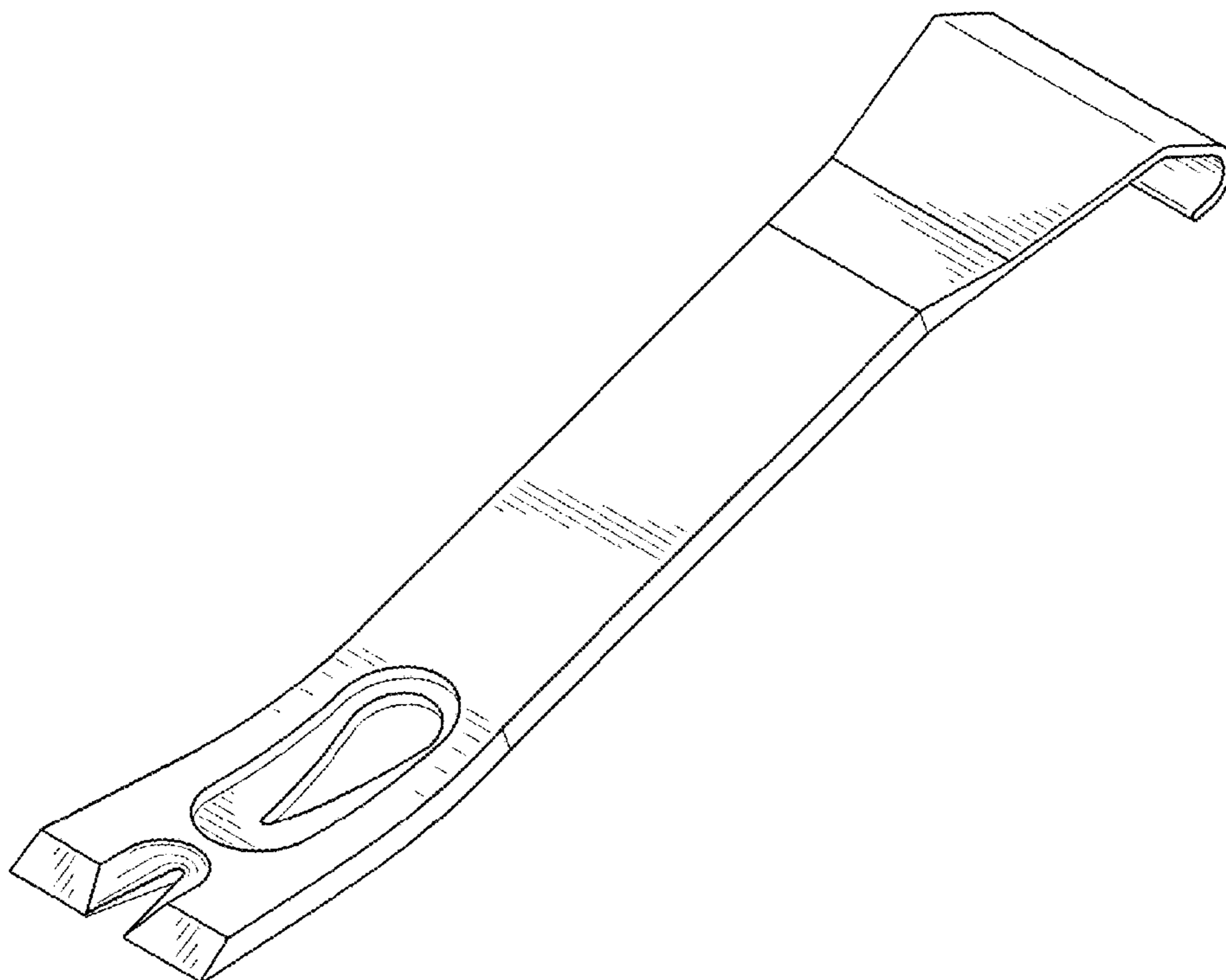
(57) **CLAIM**

The ornamental design for a utility pry bar tool, as shown and described.

DESCRIPTION

FIG. 1 is a front perspective view of the utility pry bar tool; FIG. 2 is a front elevation view of the utility pry bar tool of FIG. 1; FIG. 3 is a rear elevation view of the utility pry bar tool of FIG. 1; FIG. 4 is a left-side elevation view of the utility pry bar tool of FIG. 1; FIG. 5 is a right-side elevation view of the utility pry bar tool of FIG. 1; FIG. 6 is a top plan view of the utility pry bar tool of FIG. 1; and, FIG. 7 is a bottom plan view of the utility pry bar tool of FIG. 1, wherein the tool is inverted relative to FIG. 6.

1 Claim, 4 Drawing Sheets



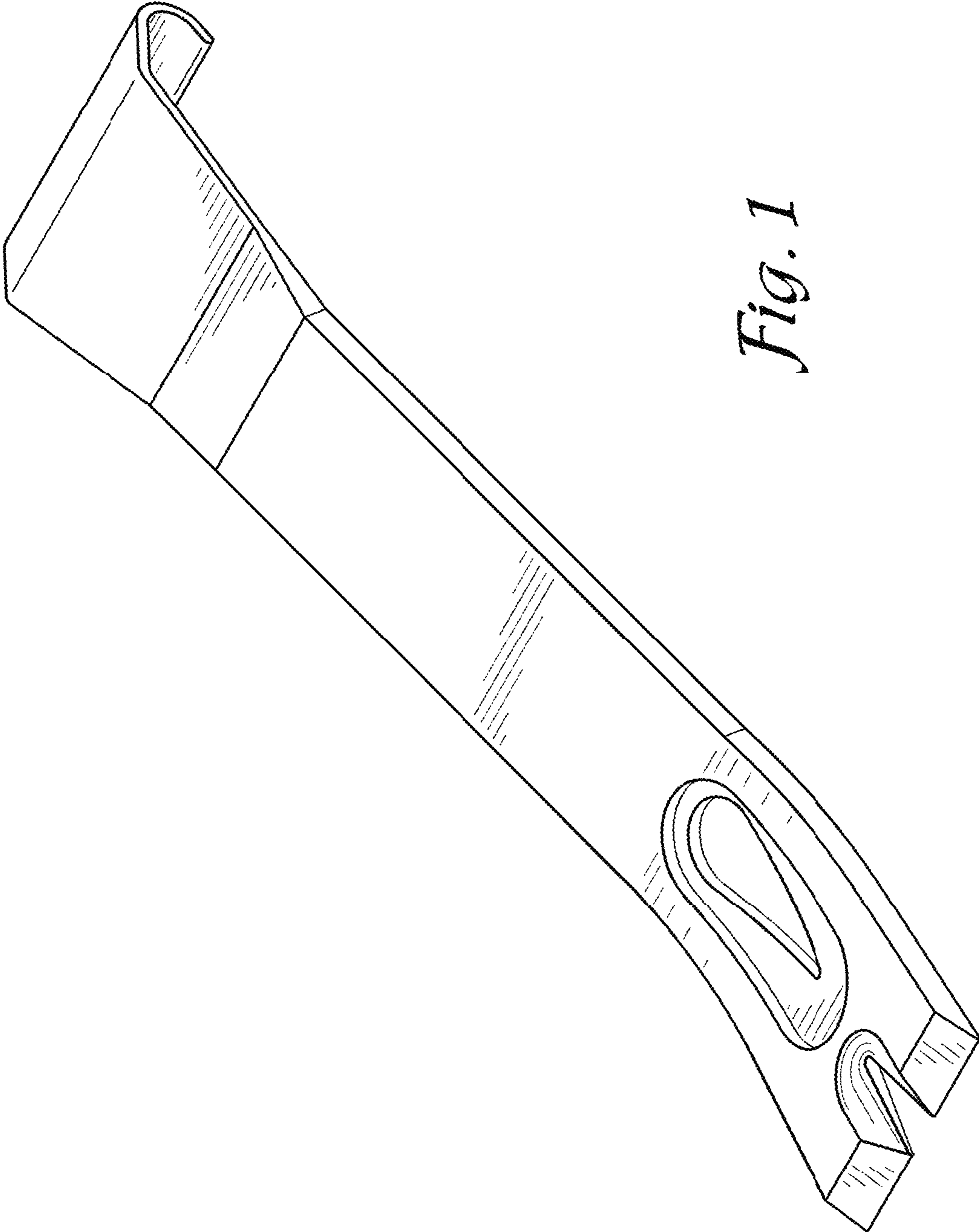


Fig. 1

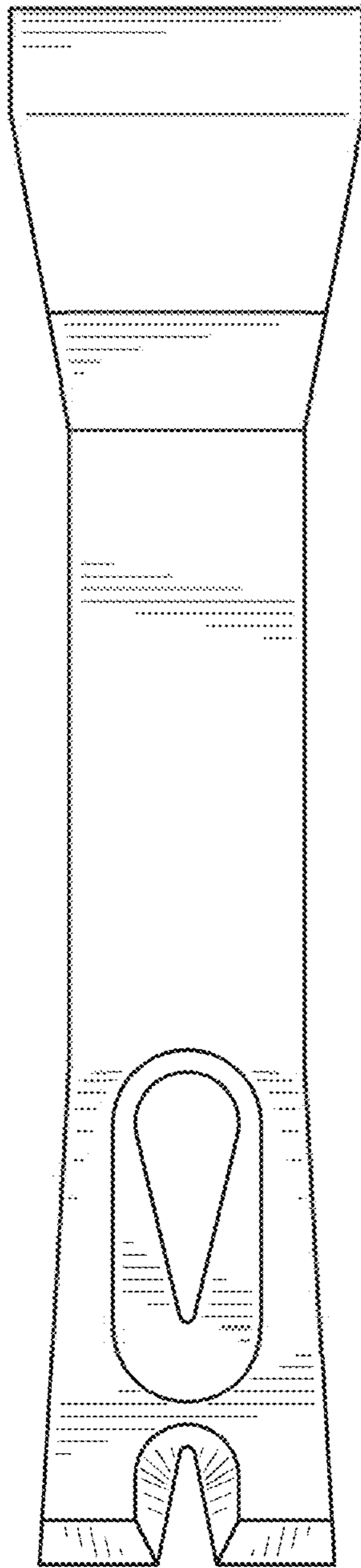


Fig. 2

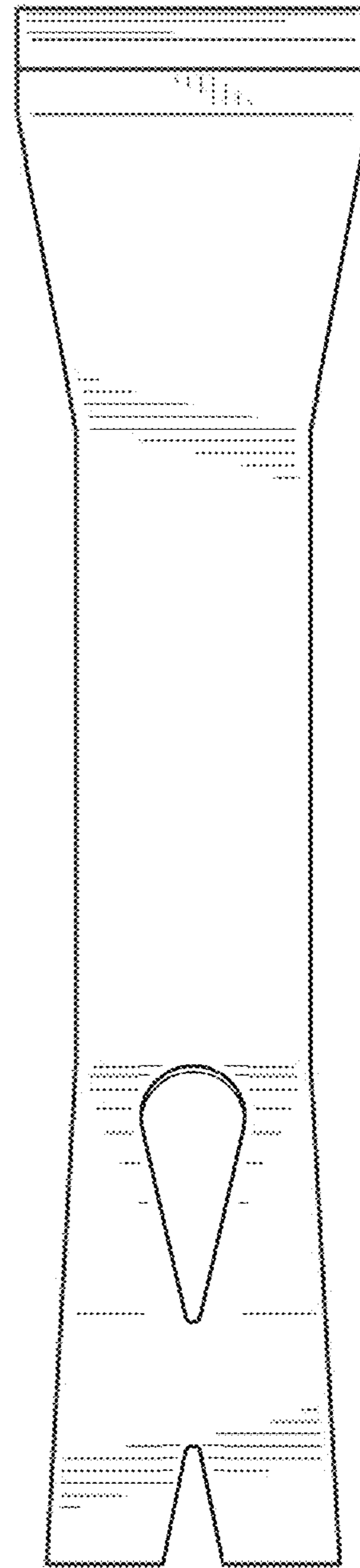


Fig. 3

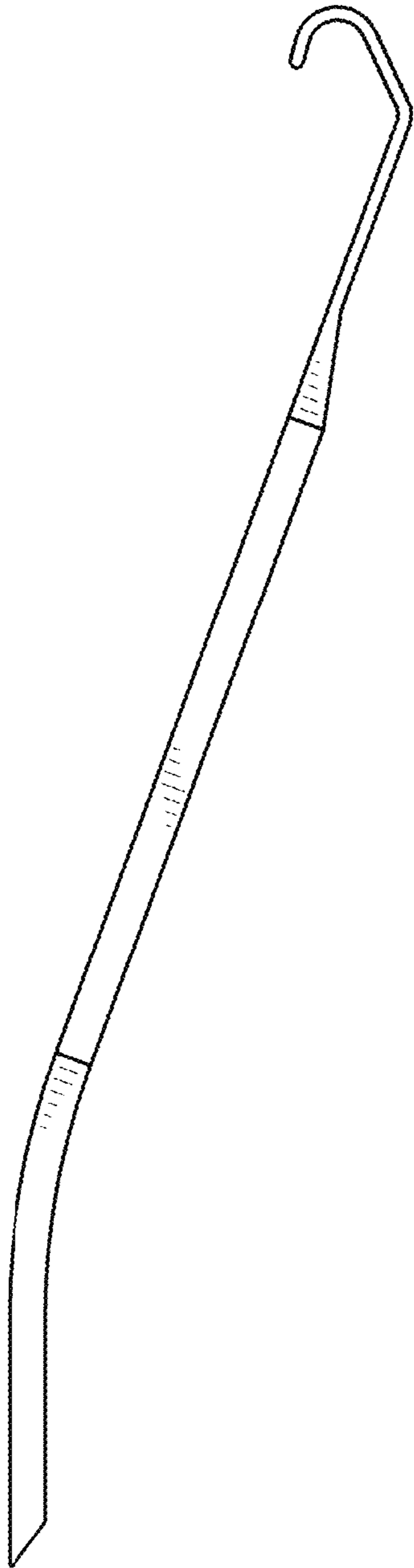


Fig. 4

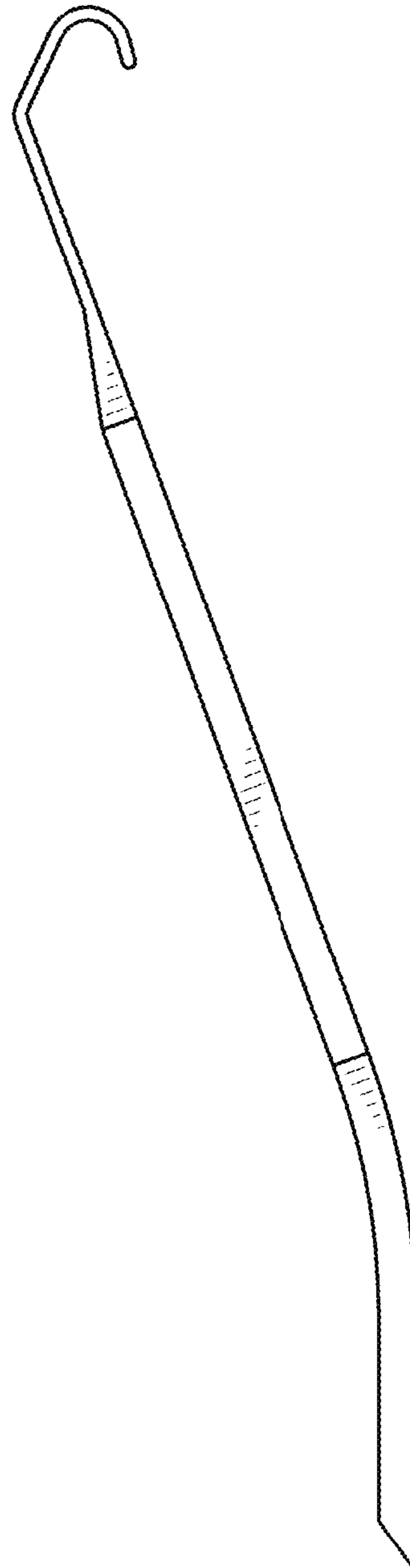


Fig. 5

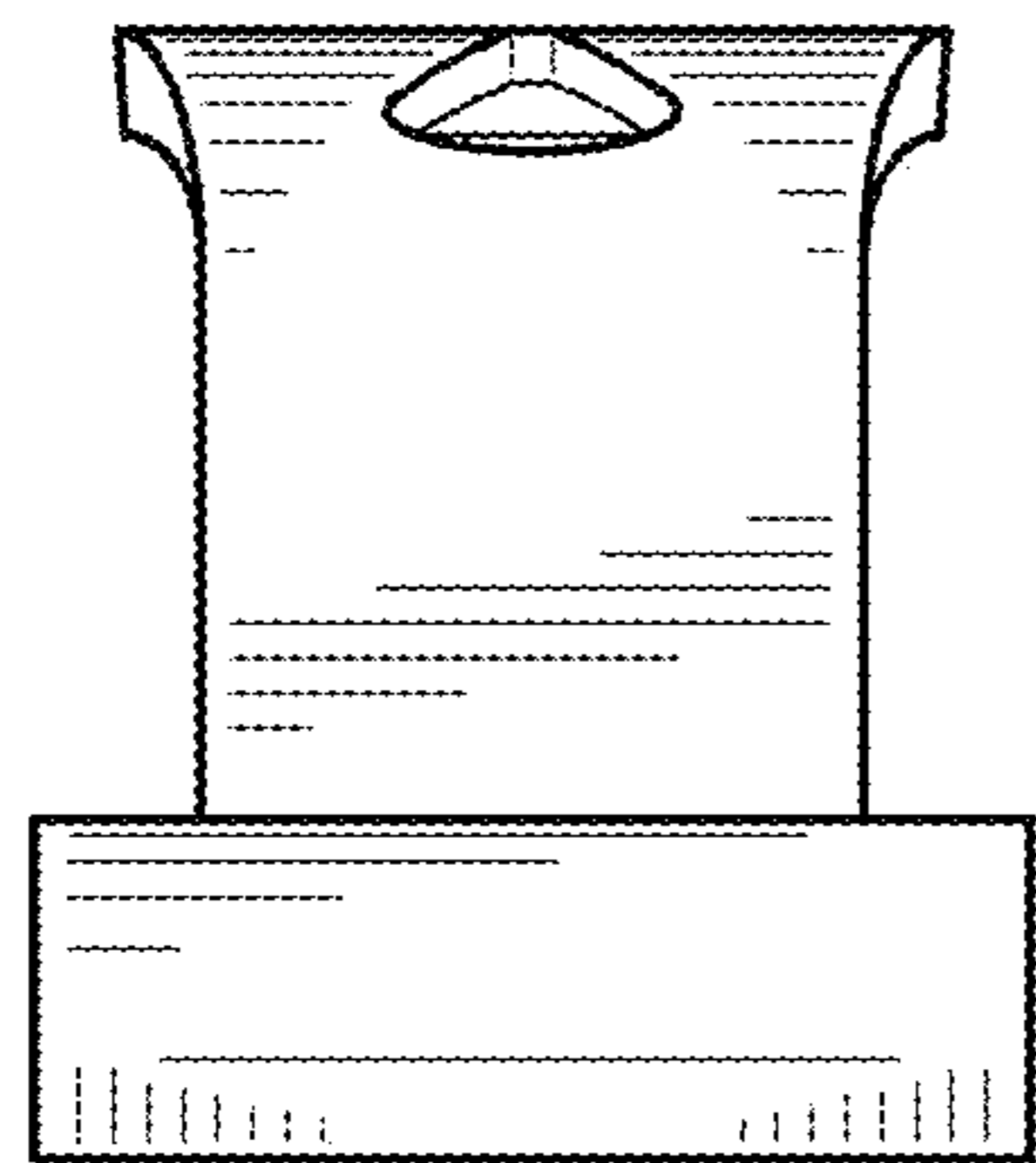


Fig. 6

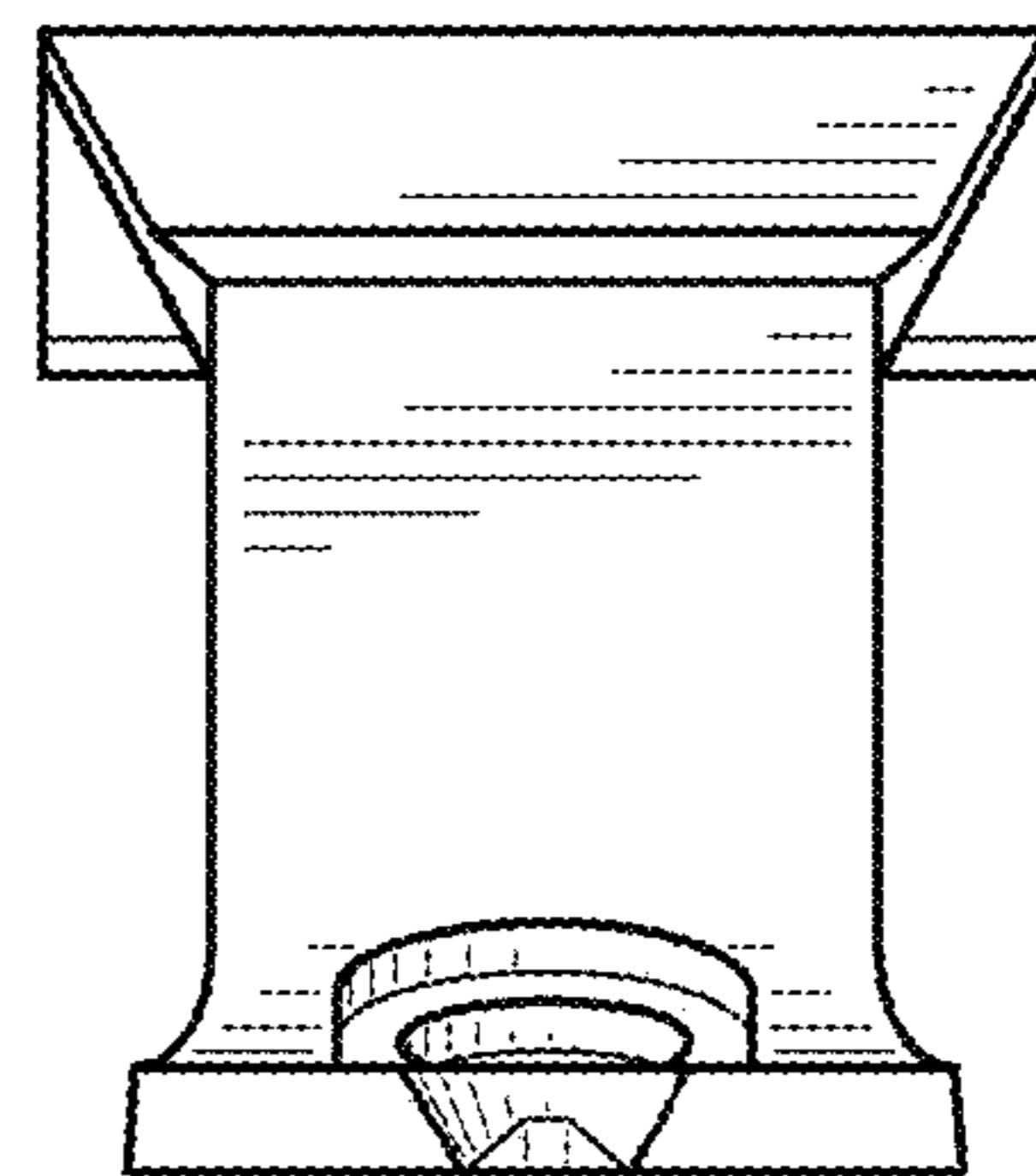


Fig. 7