



US00D876918S

(12) **United States Design Patent**
Good

(10) **Patent No.:** **US D876,918 S**
(45) **Date of Patent:** **** Mar. 3, 2020**

(54) **BENCH CLAMP PLATE HAVING A SLOT THAT RECEIVES A BENCH CLAMP**

(71) Applicant: **KREG ENTERPRISES, INC.**, Huxley, IA (US)

(72) Inventor: **Frederick James Good**, Evansdale, IA (US)

(73) Assignee: **KREG ENTERPRISES, INC.**, Huxley, IA (US)

(**) Term: **15 Years**

(21) Appl. No.: **29/638,272**

(22) Filed: **Feb. 26, 2018**

(51) **LOC (12) Cl.** **08-05**

(52) **U.S. Cl.**
USPC **D8/72**

(58) **Field of Classification Search**
USPC D8/71, 72; 269/99, 100, 147, 166, 208, 269/246
CPC B25B 1/00; B25B 5/00
See application file for complete search history.

(56) **References Cited**

U.S. PATENT DOCUMENTS

- 4,296,922 A * 10/1981 McGrath B25B 1/14
269/211
- 4,475,728 A * 10/1984 Haddad B25B 5/12
269/228
- D481,281 S * 10/2003 Anderson D8/71
- D586,641 S * 2/2009 Flynn D8/71
- D705,634 S * 5/2014 Furey D8/72

(Continued)

Primary Examiner — David G Muller

(74) *Attorney, Agent, or Firm* — Christopher A. Proskey;
BrownWinick Law Firm

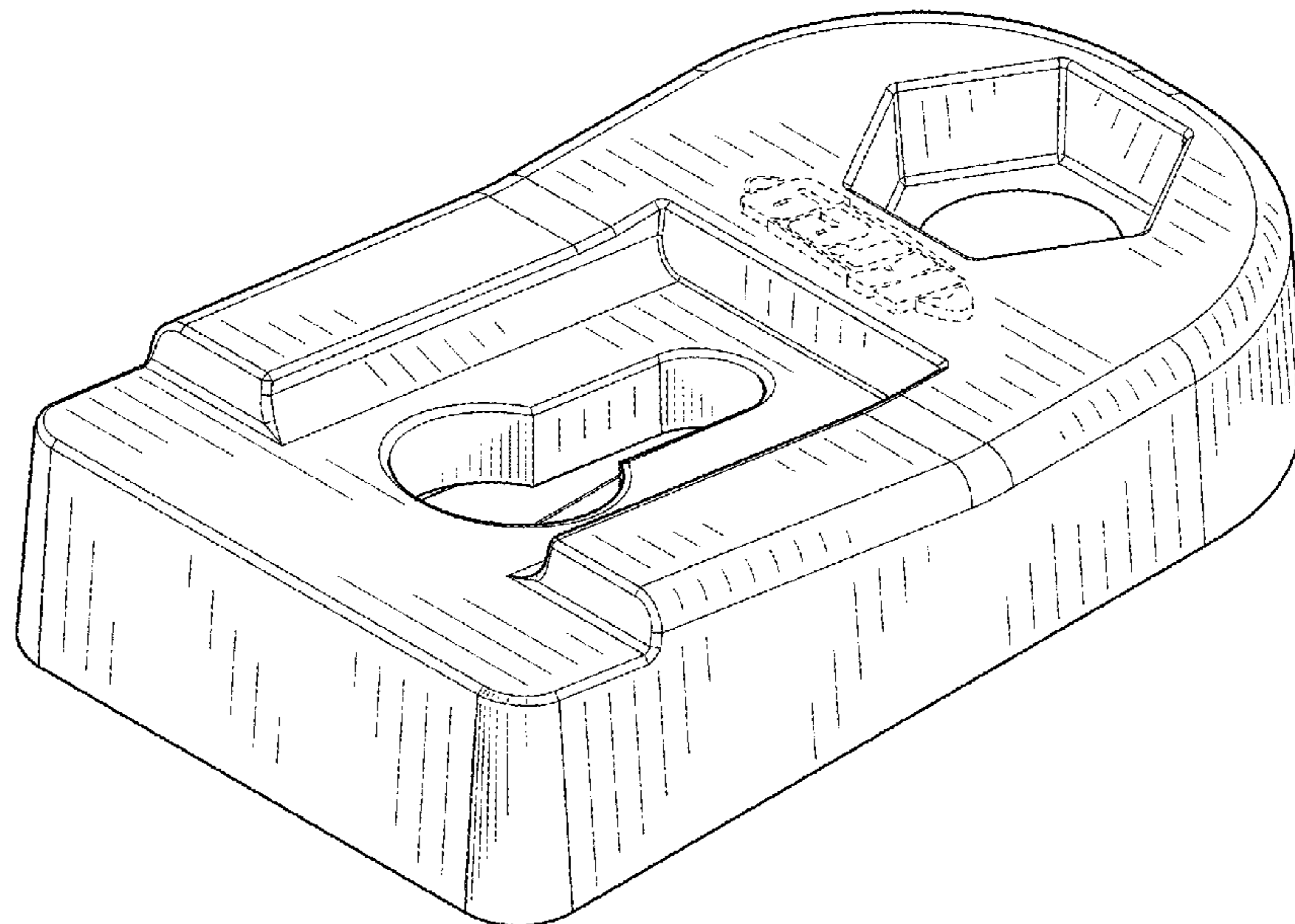
(57) **CLAIM**

The ornamental design for a bench clamp plate having a slot that receives a bench clamp, as is shown and described.

DESCRIPTION

FIG. 1 is a top elevation view of a bench clamp plate having a slot that receives a bench clamp showing my new design; FIG. 2 is a bottom plan view thereof; FIG. 3 is a left side elevation view of thereof; FIG. 4 is a right side elevation view thereof; FIG. 5 is a front elevation view thereof; FIG. 6 is a rear elevation view thereof; FIG. 7 is a top perspective view thereof; FIG. 8 is a bottom perspective view thereof; FIG. 9 is an environmental front elevation view of the bench clamp plate having a slot that receives a bench clamp with a bolt and knob shown in broken lines; FIG. 10 is a left side elevation view thereof; FIG. 11 is a top plan view thereof; FIG. 12 is a top front perspective view thereof; FIG. 13 is a top rear perspective view thereof; FIG. 14 is an environmental top perspective view of the bench clamp plate having a slot that receives a bench clamp with a bench clamp, bolt and knob shown in broken lines; FIG. 15 is an environmental exploded perspective view of the bench clamp plate having a slot that receives a bench clamp with a bolt and knob shown in broken lines; FIG. 16 is an environmental exploded perspective view of the bench clamp plate having a slot that receives a bench clamp with a bolt, knob and work surface shown in broken lines; and, FIG. 17 is an environmental top perspective view of the bench clamp plate having a slot that receives a bench clamp with a bolt, knob and work surface shown in broken lines. The dashed lines shown represent the environment and represent unclaimed subject matter and form no part of the claimed design.

1 Claim, 17 Drawing Sheets



(56)

References Cited

U.S. PATENT DOCUMENTS

D797,549 S *	9/2017	Dew	D8/394
D808,237 S *	1/2018	Tatom	D8/71
D832,070 S *	10/2018	Hoang	D8/71
D841,424 S *	2/2019	Hikoyama	D8/72
D843,806 S *	3/2019	Brigham	D8/71
D856,106 S *	8/2019	Dahill	D8/71
D858,242 S *	9/2019	Lund	D8/72
D859,118 S *	9/2019	Zhao	D8/71

* cited by examiner

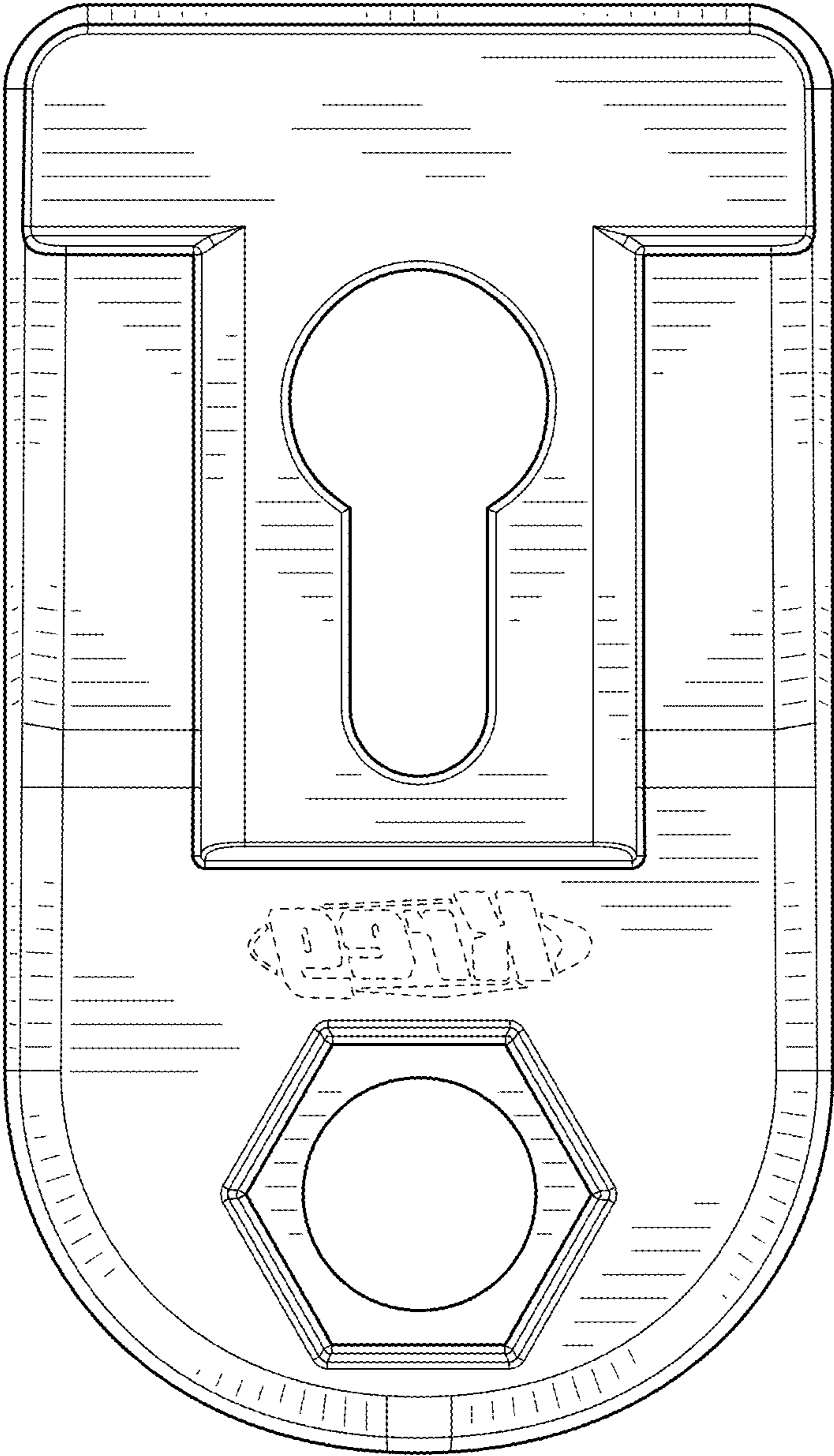


FIG. 1

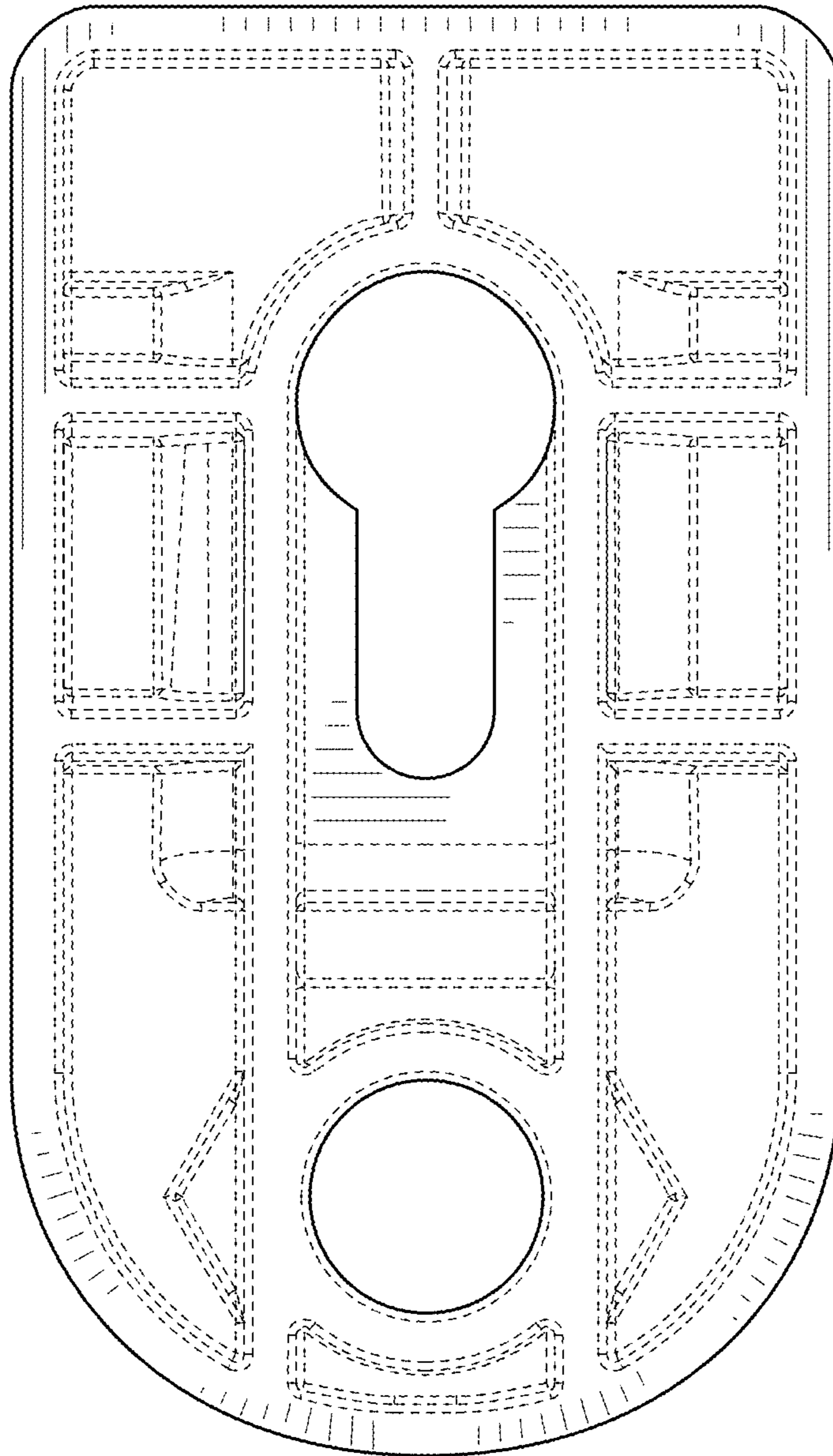


FIG. 2

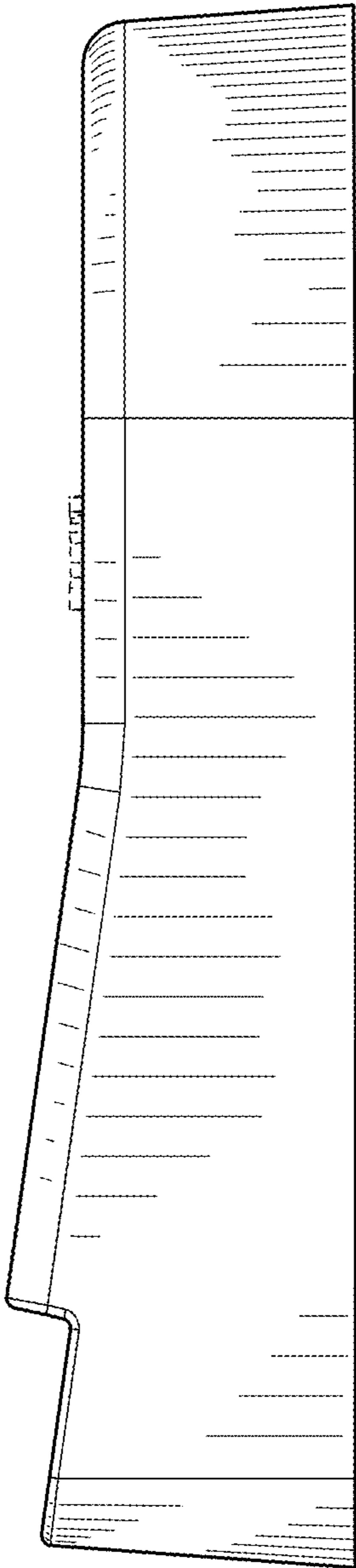


FIG. 3

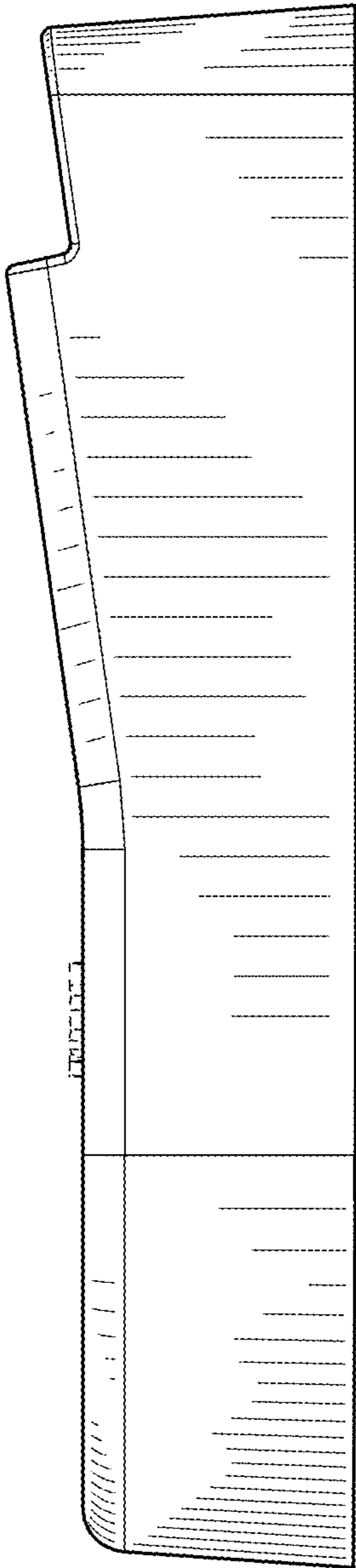


FIG. 4

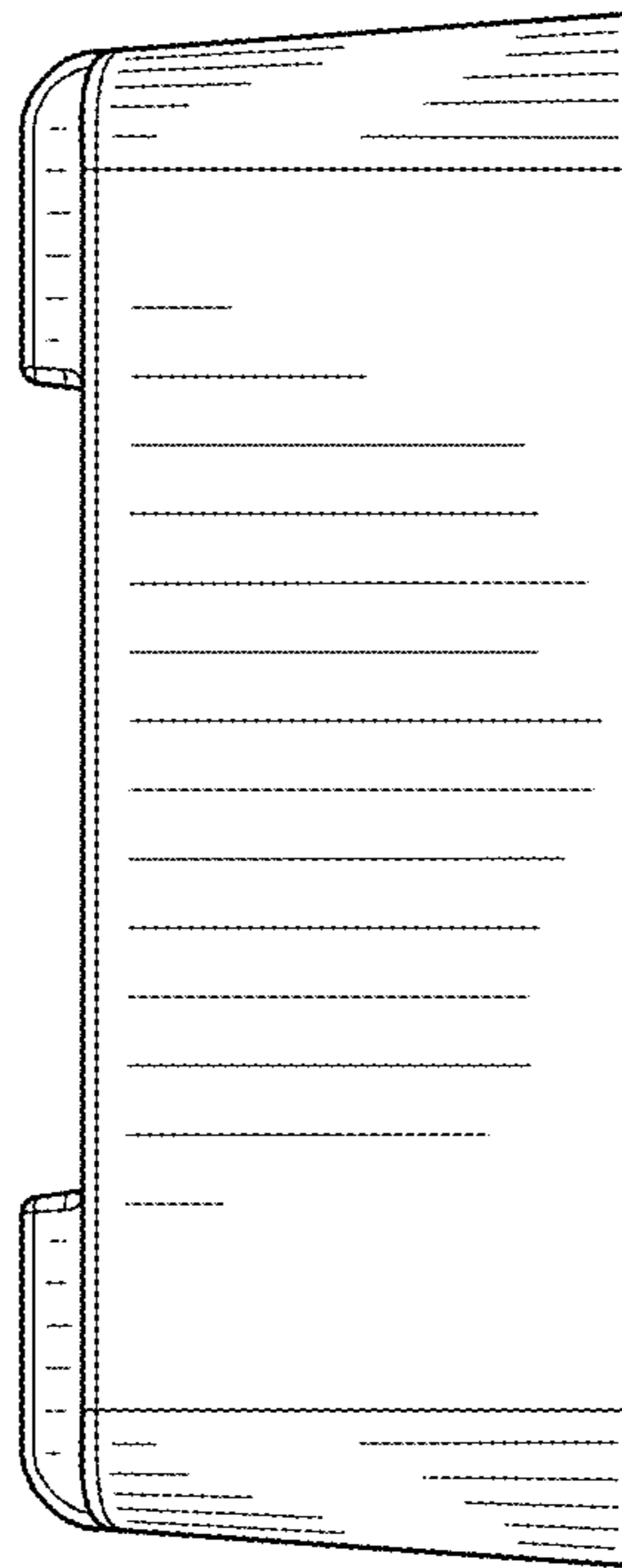


FIG. 5

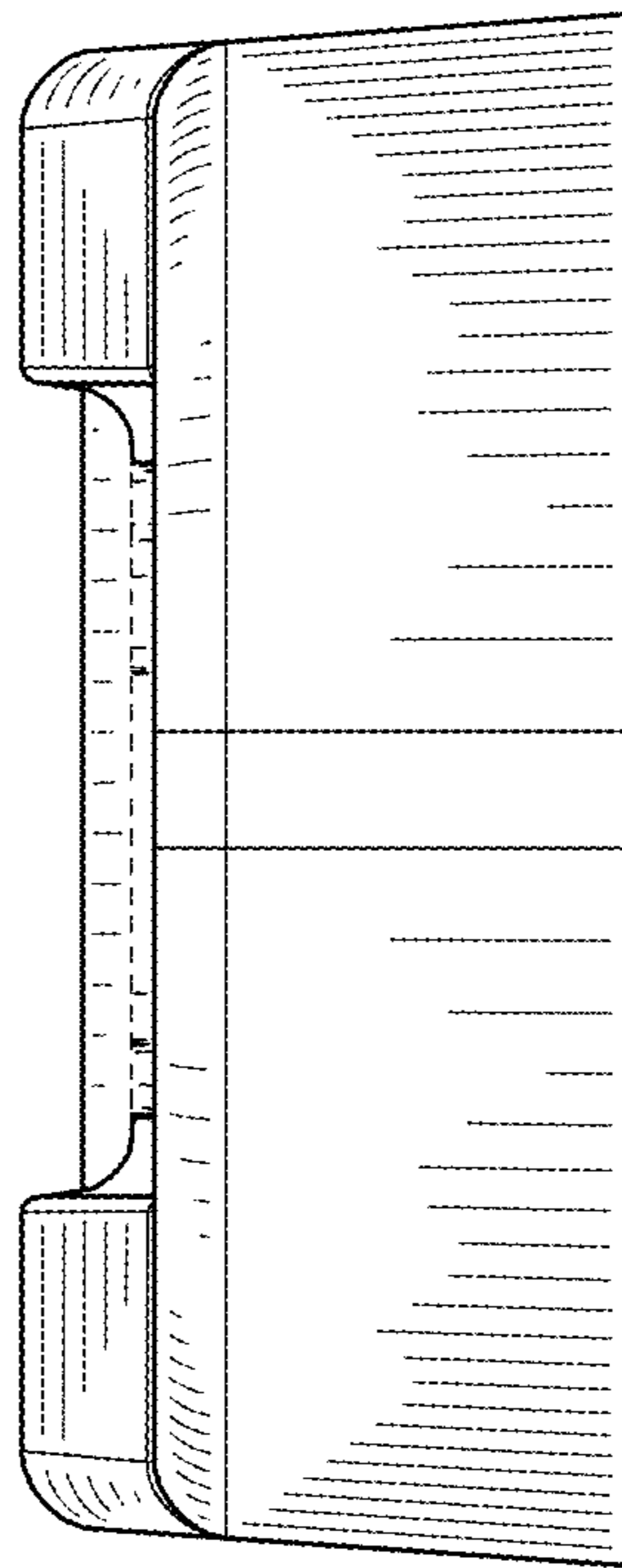


FIG. 6

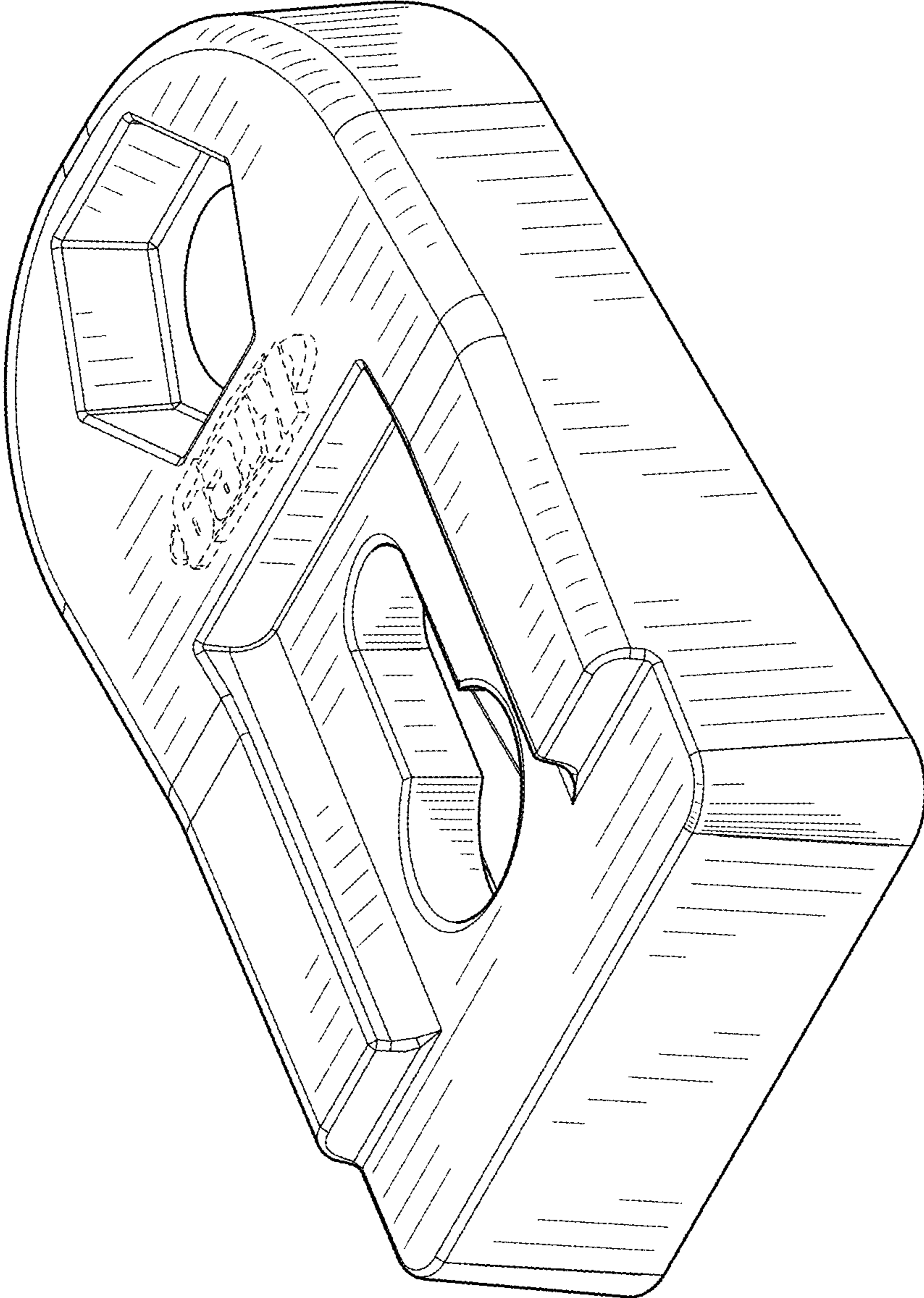


FIG. 7

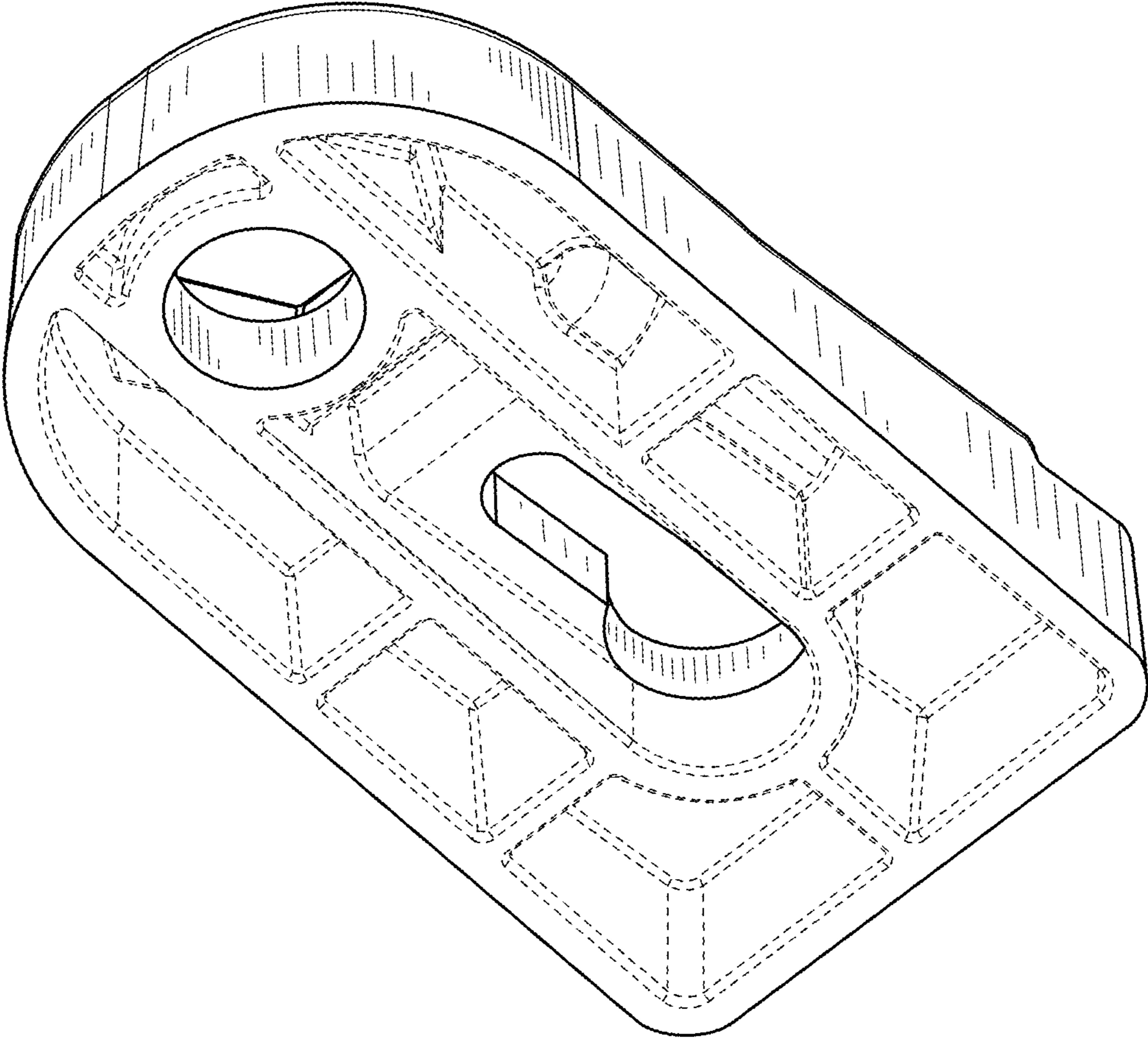


FIG. 8

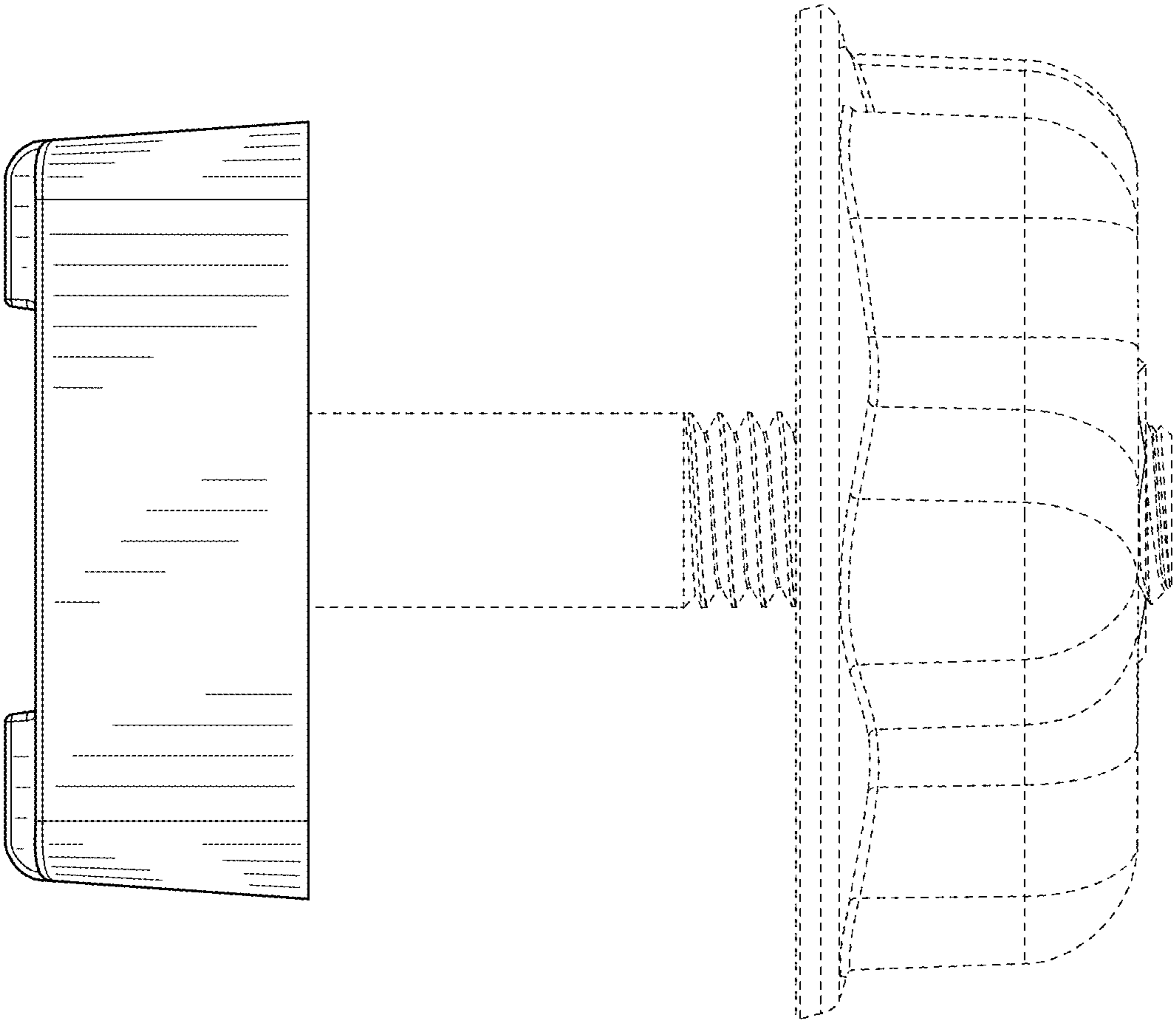


FIG. 9

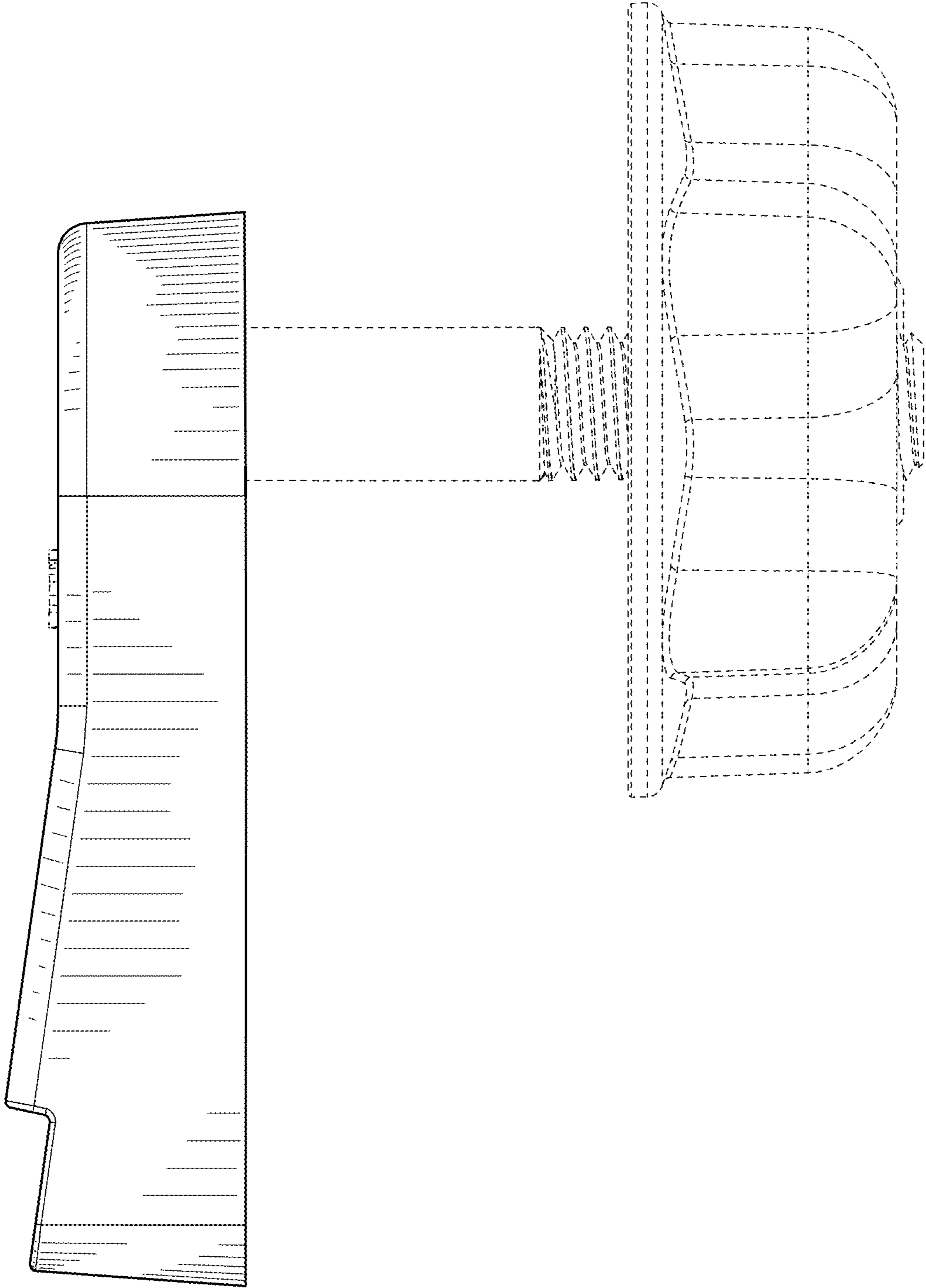


FIG. 10

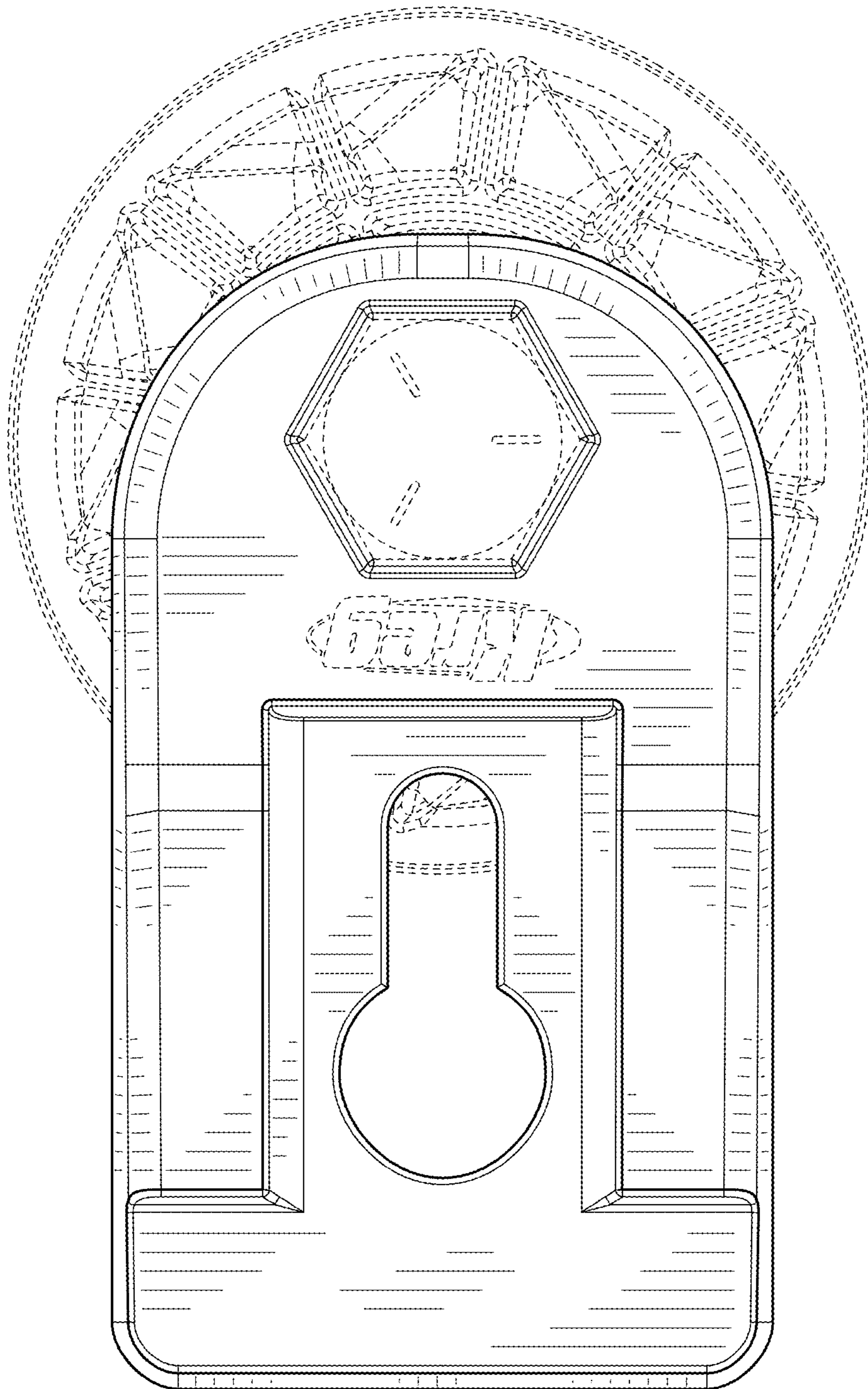


FIG. 11

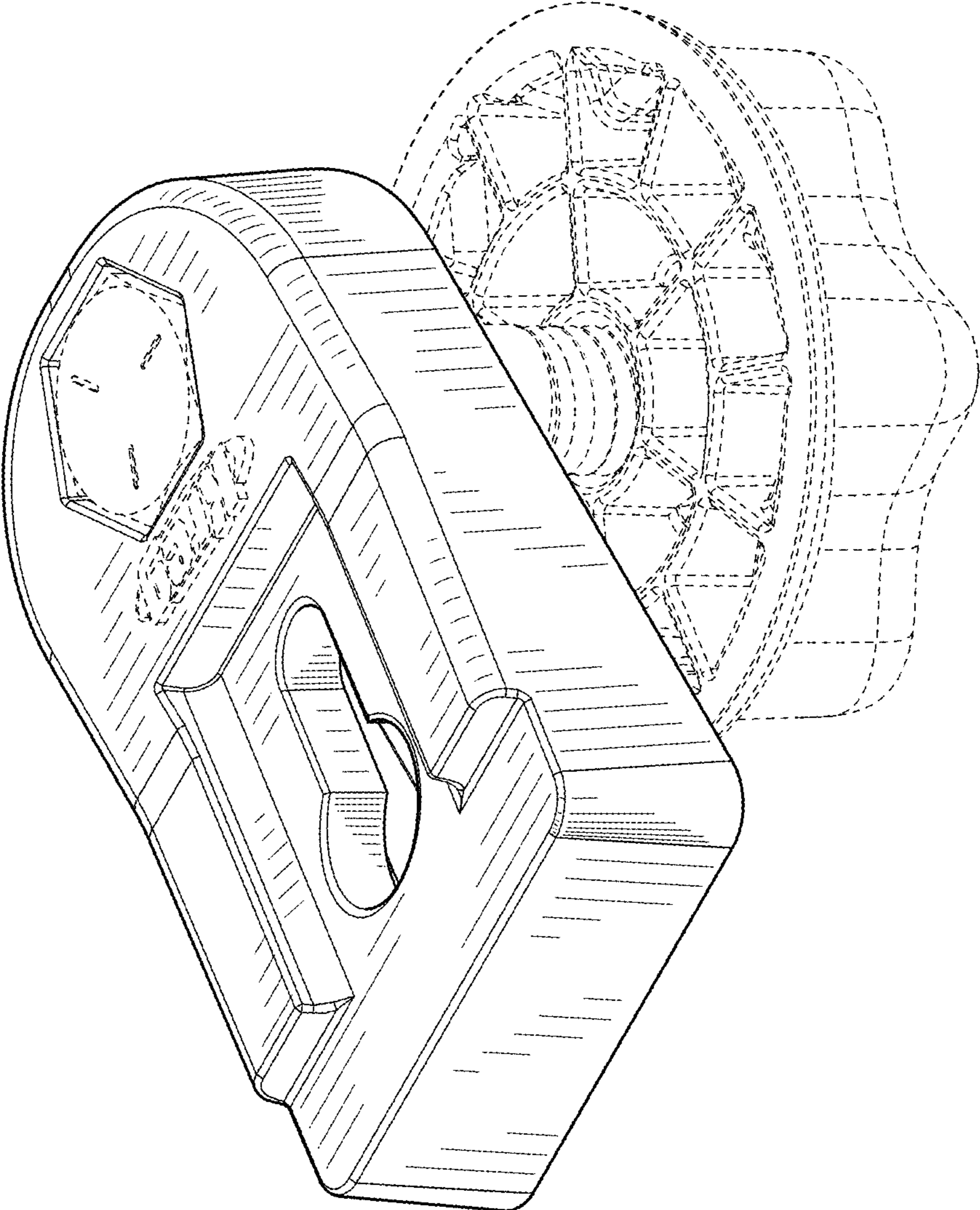


FIG. 12

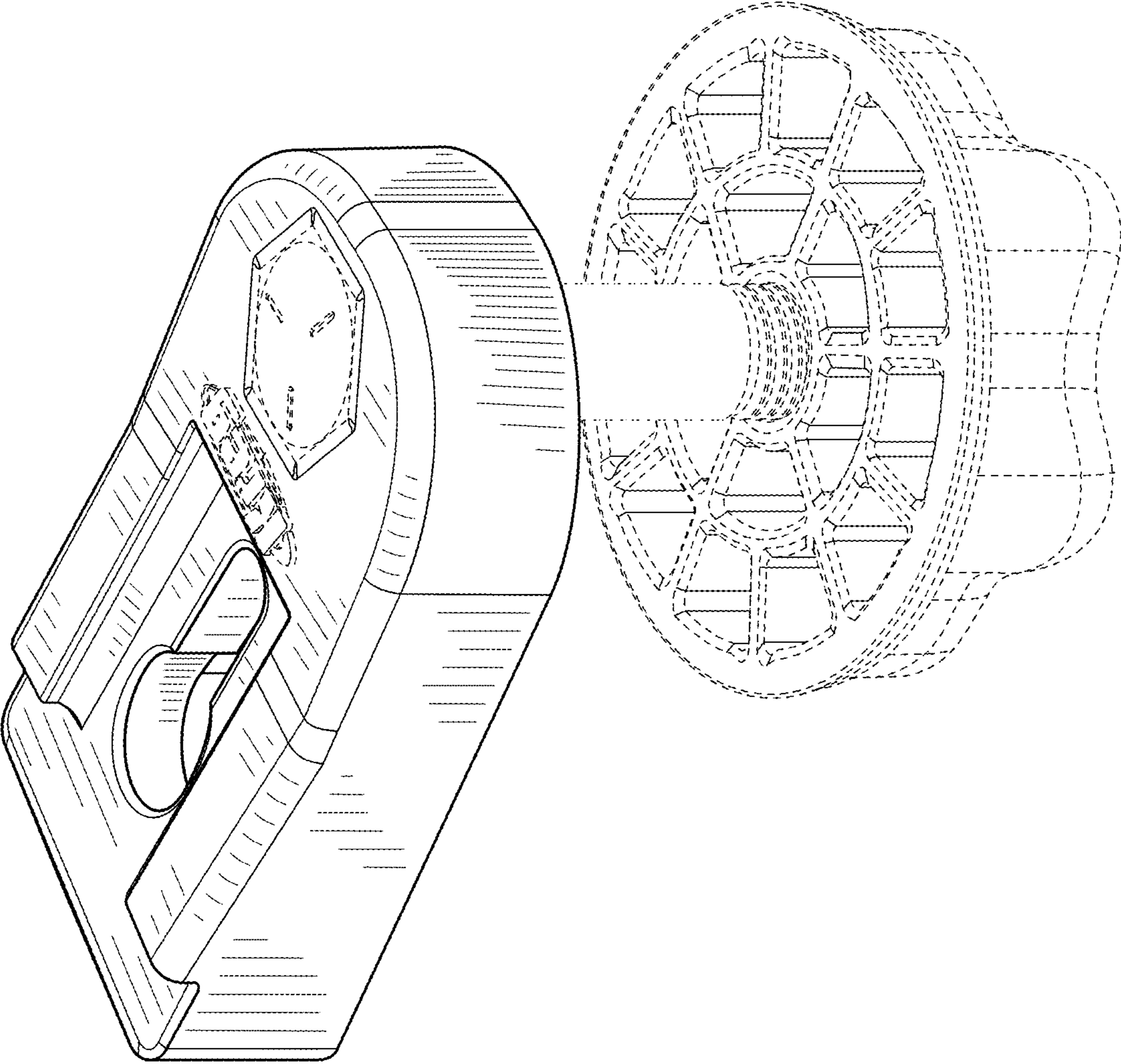


FIG. 13

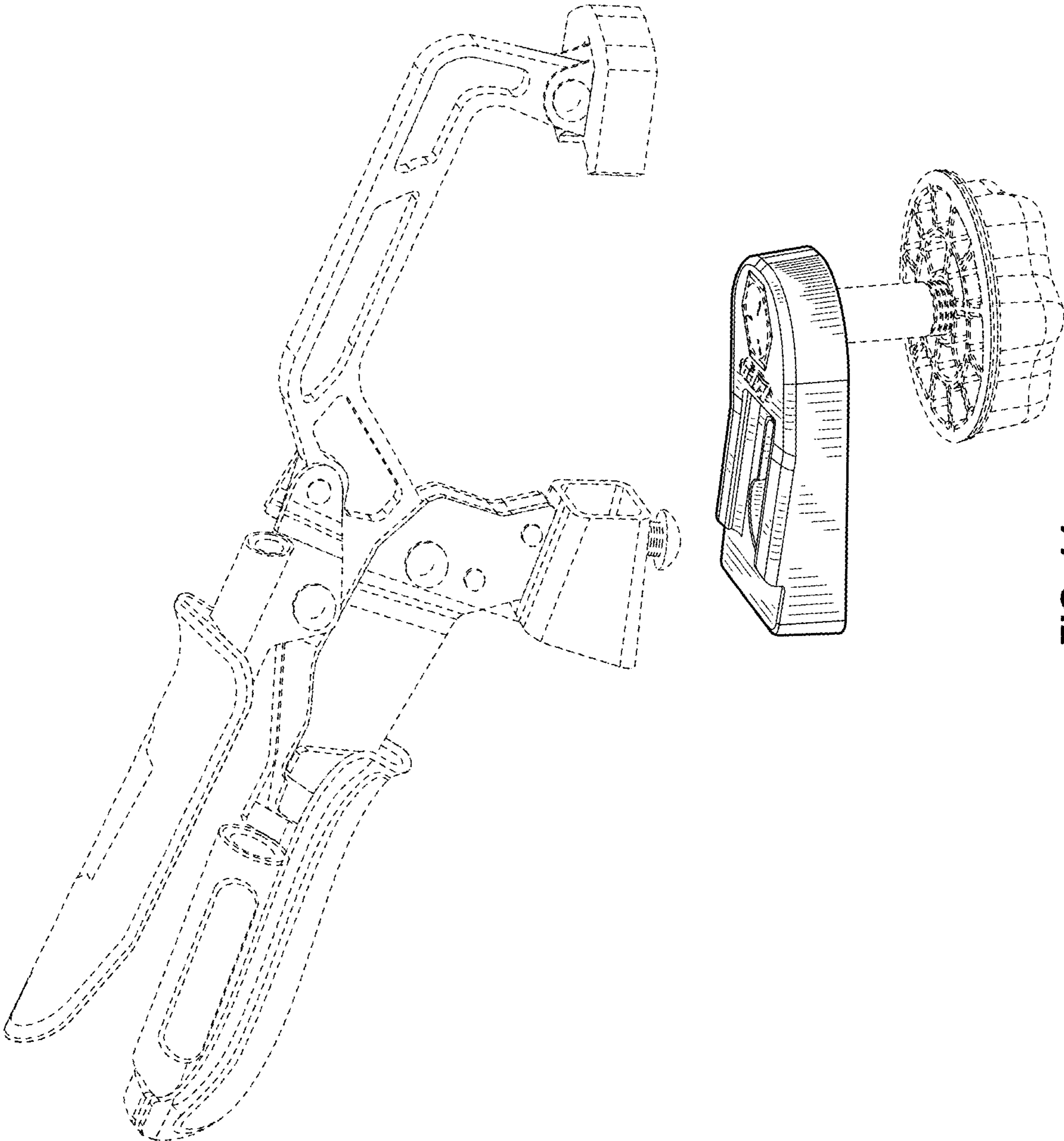


FIG. 14

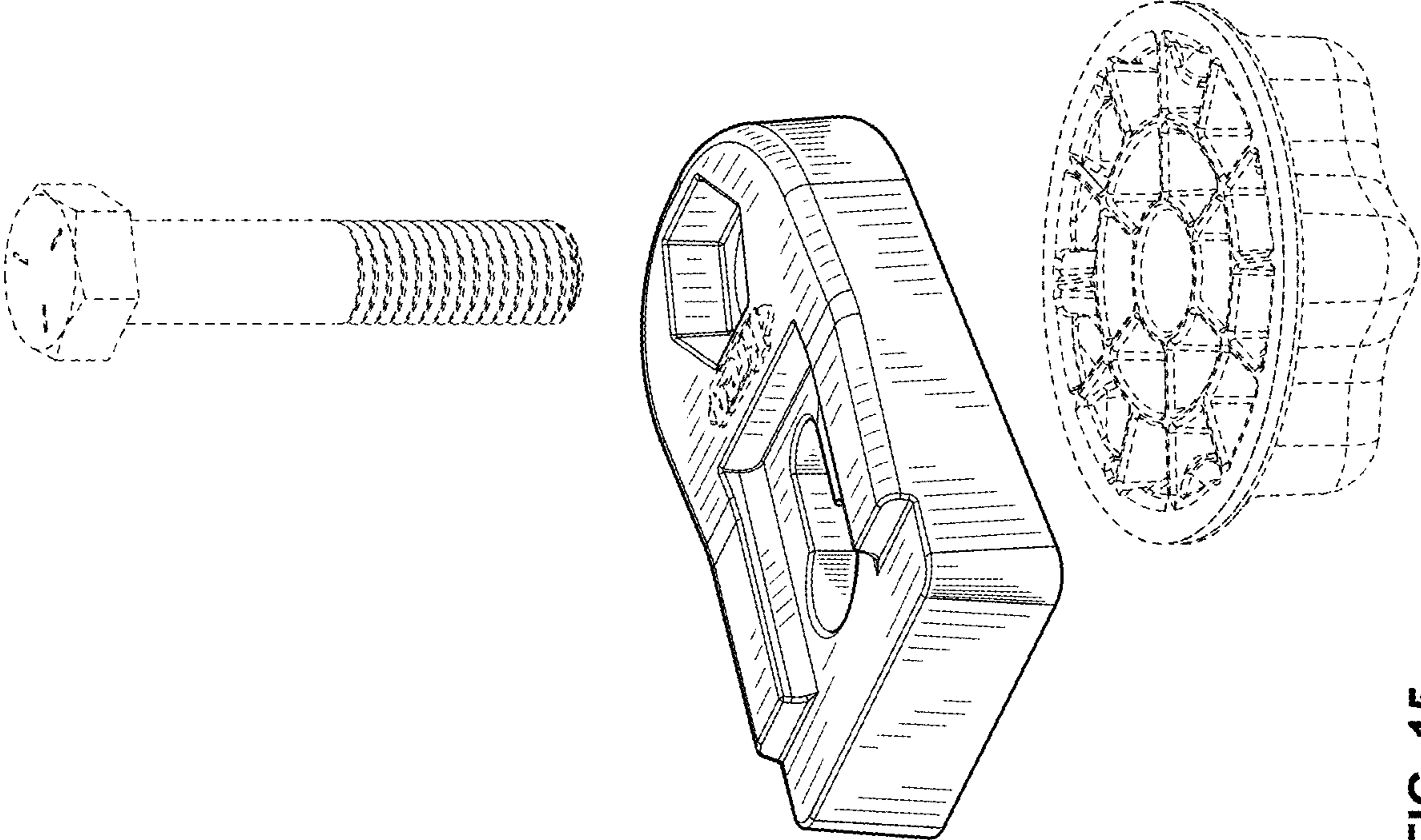


FIG. 15

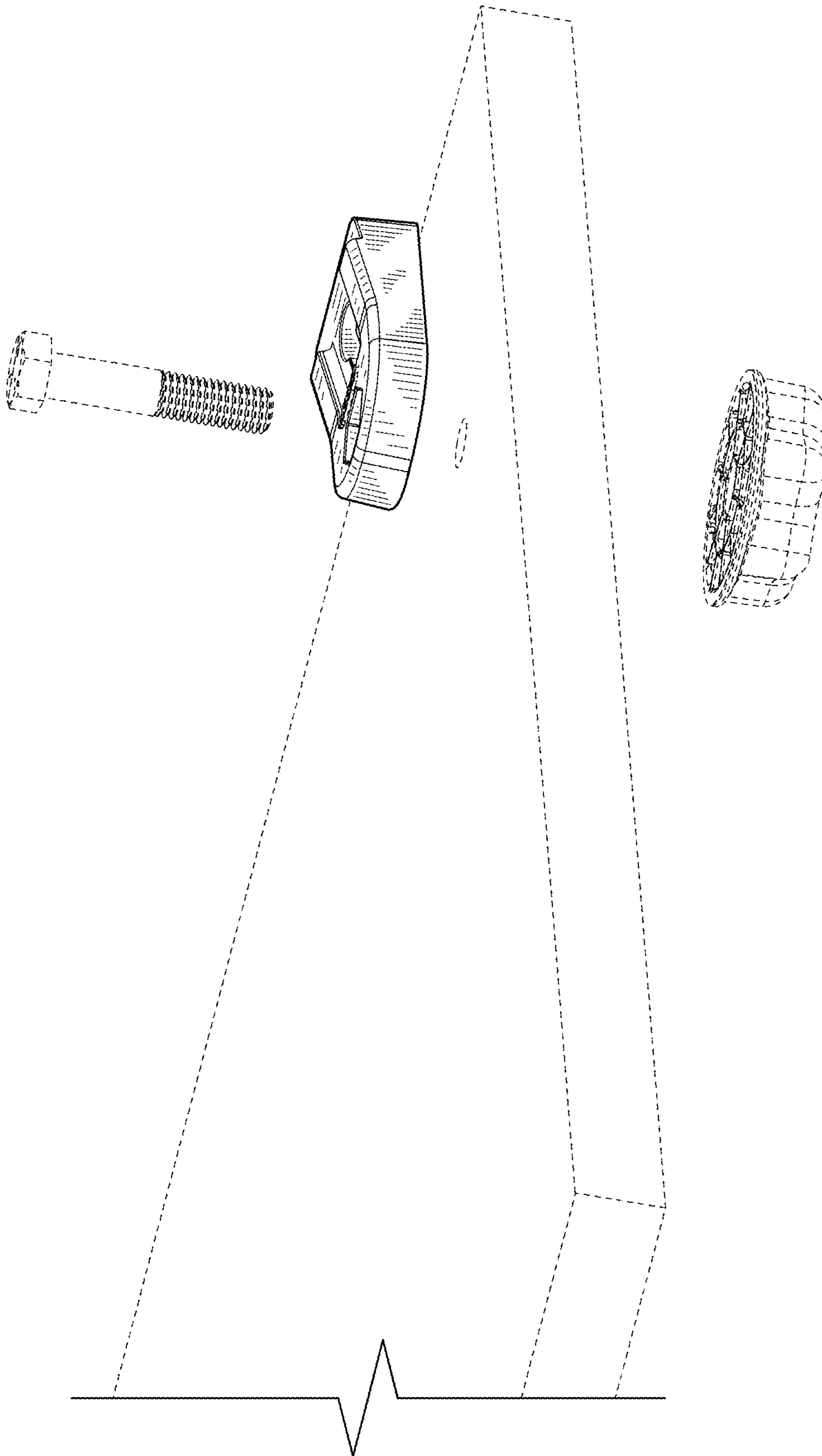


FIG. 16

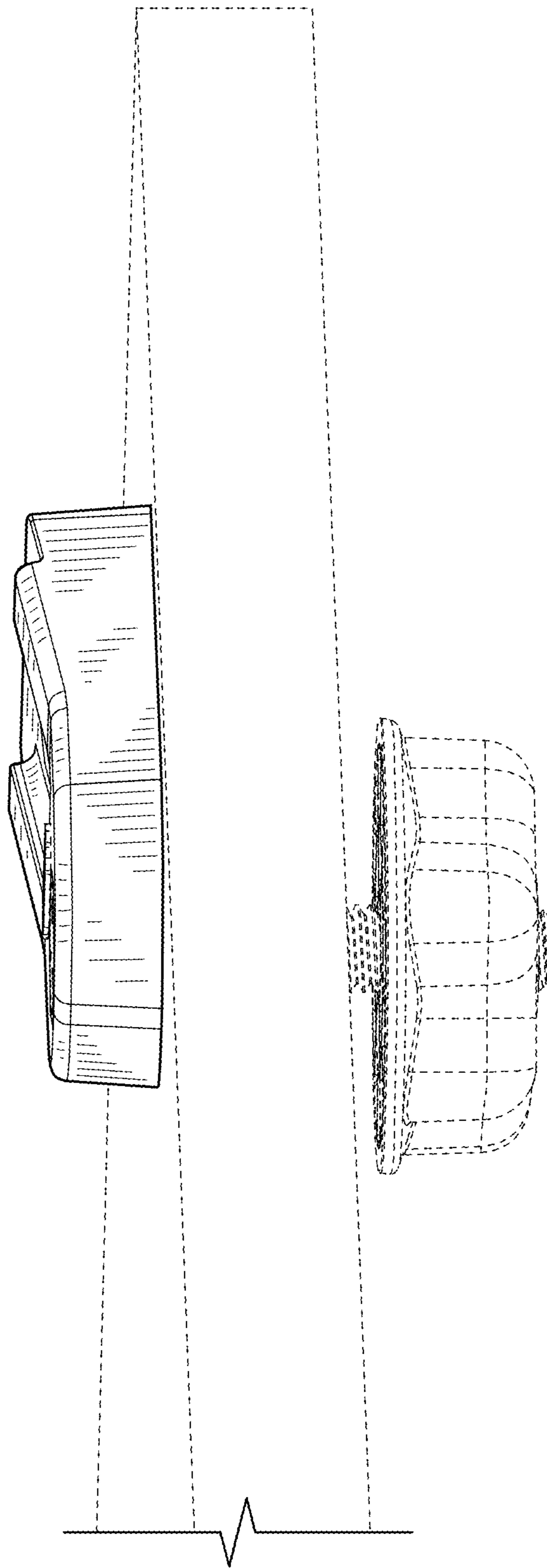


FIG. 17