



US00D876917S

(12) **United States Design Patent**
Guirlinger

(10) **Patent No.:** **US D876,917 S**

(45) **Date of Patent:** **** Mar. 3, 2020**

(54) **TOOL HOLDER**

(71) Applicant: **Edward G. Guirlinger**, New Albany,
OH (US)

(72) Inventor: **Edward G. Guirlinger**, New Albany,
OH (US)

(**) Term: **15 Years**

(21) Appl. No.: **29/657,412**

(22) Filed: **Jul. 22, 2018**

(51) **LOC (12) Cl.** **08-05**

(52) **U.S. Cl.**
USPC **D8/71**

(58) **Field of Classification Search**
USPC D8/71, 105, 333, 349, 354, 356, 358,
D8/367, 373, 382, 383, 394-396, 400;
D13/156
CPC E04B 2/80; E04B 2/74; E04B 2002/7488;
E04C 2/52; H02G 3/0481; H02G 3/22;
H02G 3/26

See application file for complete search history.

(56) **References Cited**

U.S. PATENT DOCUMENTS

| | | | | |
|--------------|---------|-----------|-------|--------|
| D494,436 S * | 8/2004 | Winig | | D8/71 |
| D499,626 S * | 12/2004 | Winig | | D8/71 |
| D571,641 S * | 6/2008 | Sempliner | | D8/356 |
| D763,661 S * | 8/2016 | Ezell | | D8/349 |

D866,483 S * 11/2019 Broere D13/156

* cited by examiner

Primary Examiner — Keli L Hill

Assistant Examiner — Harold E Blackwell, II

(74) *Attorney, Agent, or Firm* — Robert R. Lech; Lech
Law, LLC

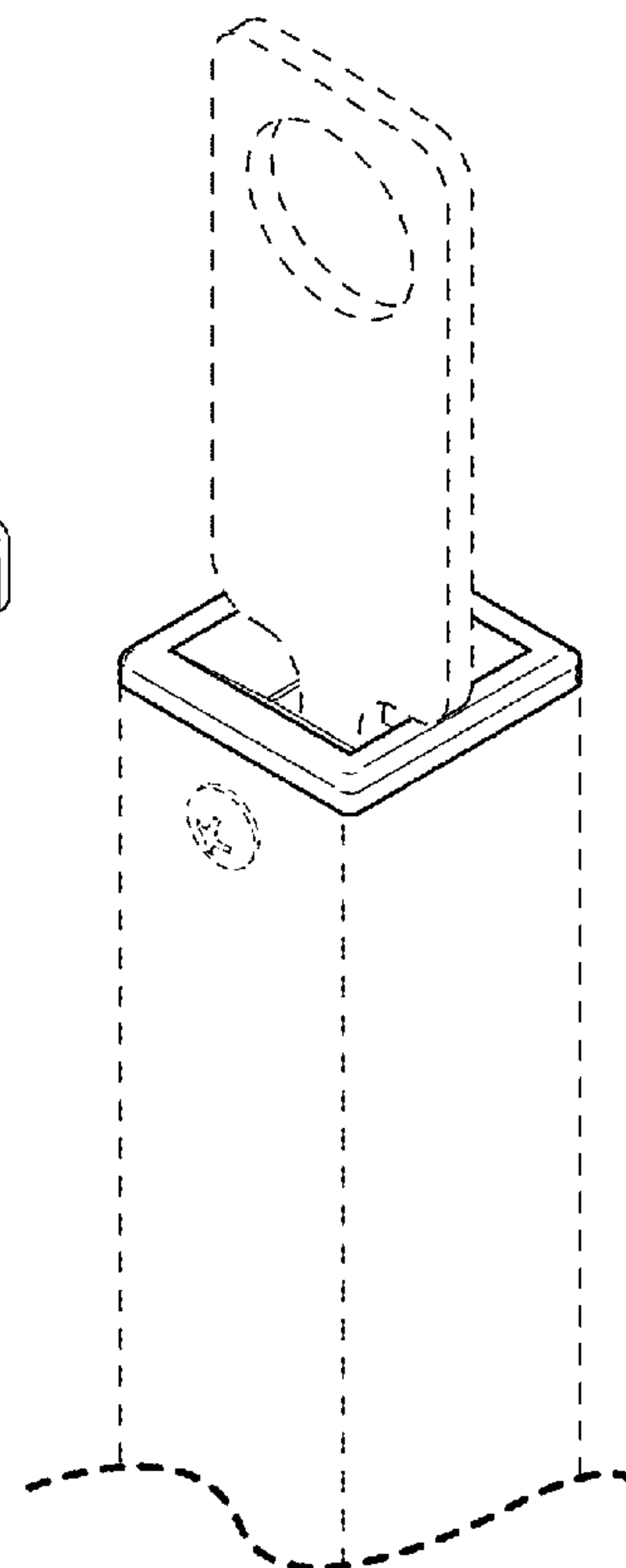
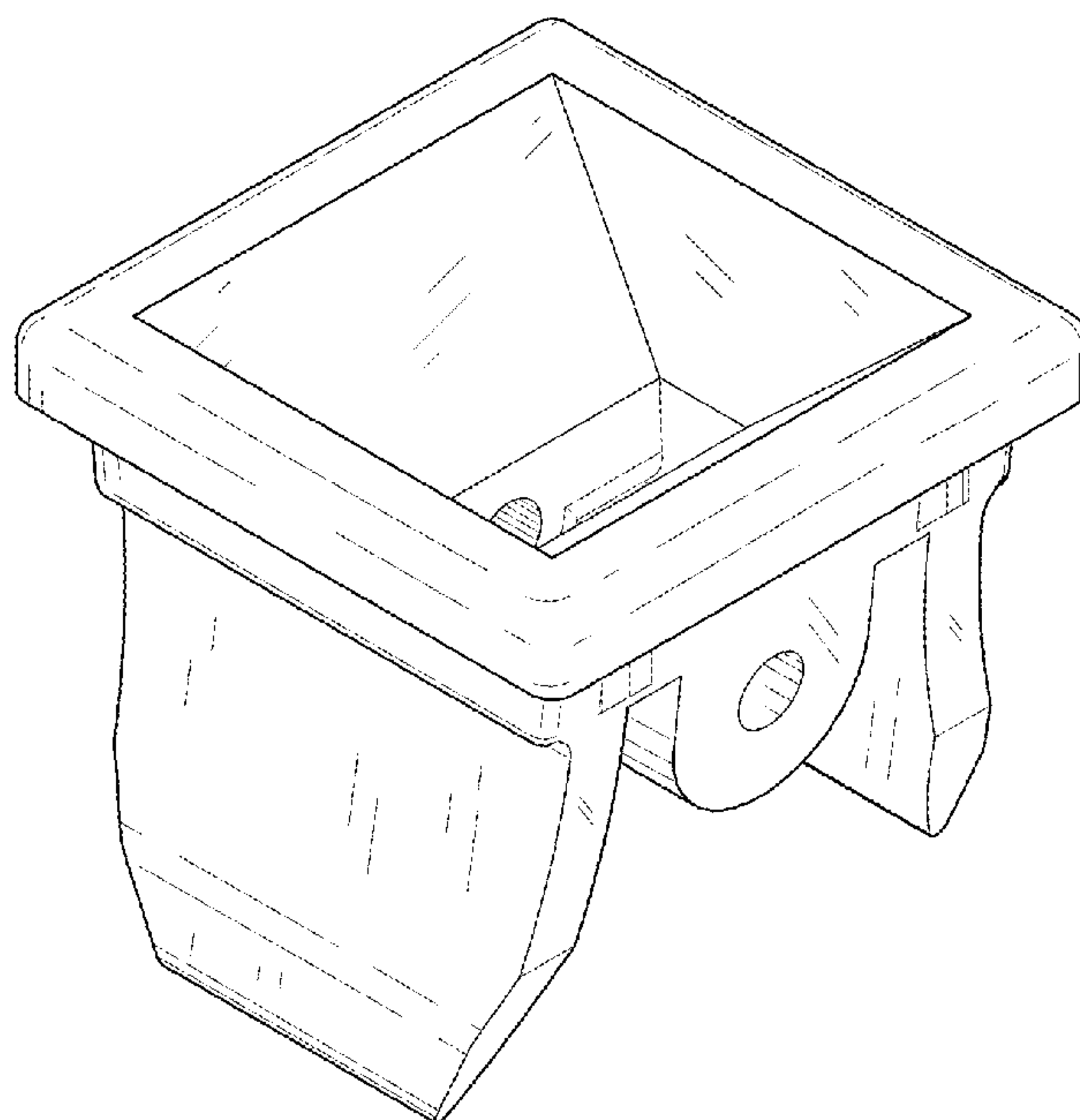
(57) **CLAIM**

What is claimed is the ornamental design for a tool holder,
as shown and described.

DESCRIPTION

FIG. 1 is a upper left perspective of a tool holder;
FIG. 2 is a lower right perspective view of the tool holder of
FIG. 1;
FIG. 3 is a top plan view of the tool holder of FIG. 1;
FIG. 4 is a bottom plan view of the tool holder of FIG. 1;
FIG. 5 is a left elevational view of the tool holder of FIG. 1;
FIG. 6 is a right elevational view of the tool holder of FIG.
1;
FIG. 7 is a front elevational view of the tool holder of FIG.
1;
FIG. 8 is a rear elevational view of the tool holder of FIG.
1; and,
FIG. 9 is an upper right perspective, environmental view of
the tool holder of FIG. 1 holding a tool.
The broken lines showing a tube into which the tool holder
is fitted and the broken lines showing a tool inserted into the
tool holder are included for the purpose of illustrating an
environment of the tool holder and form no part of the
claimed design.

1 Claim, 6 Drawing Sheets



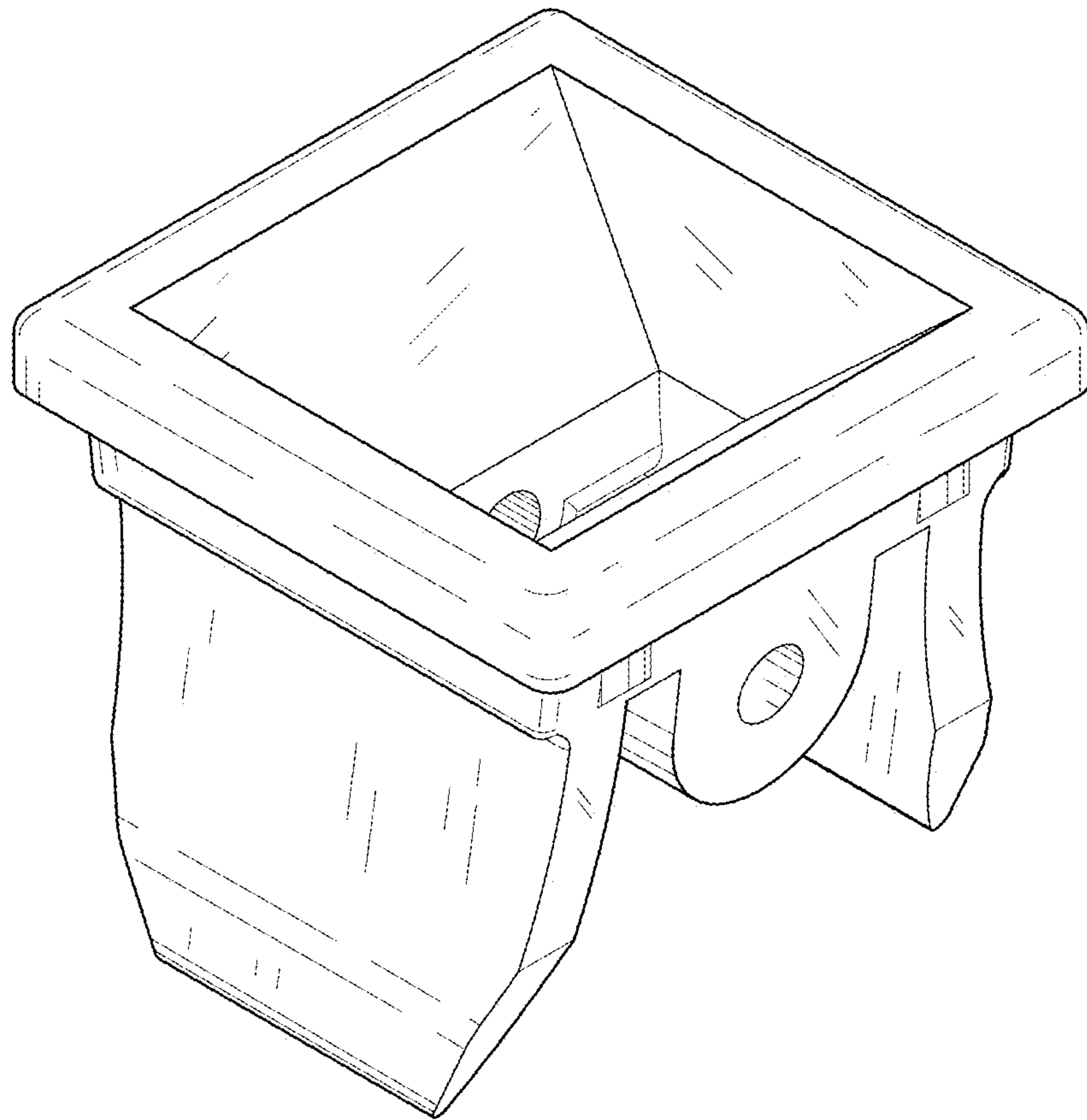


FIG. 1

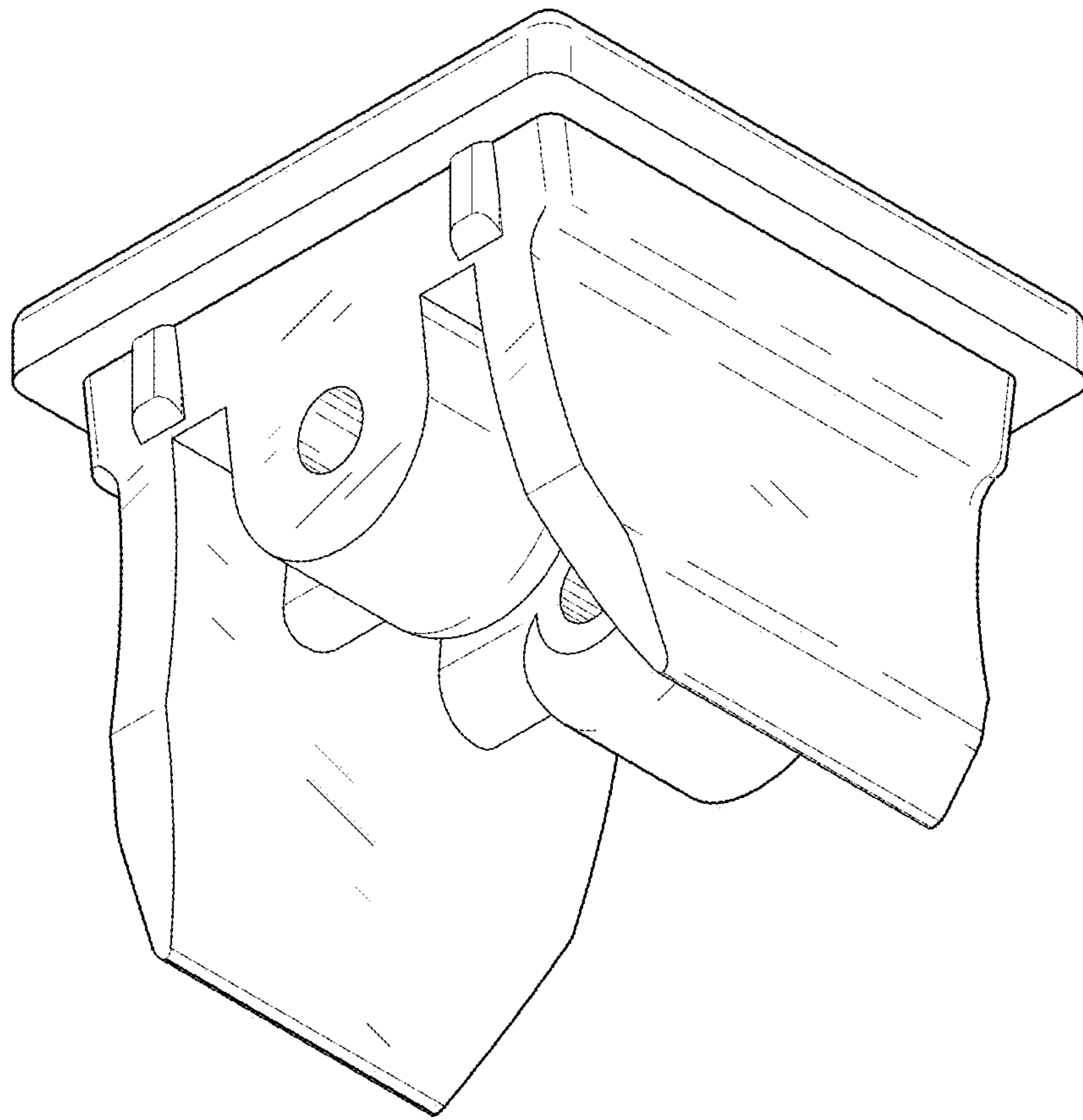


FIG. 2

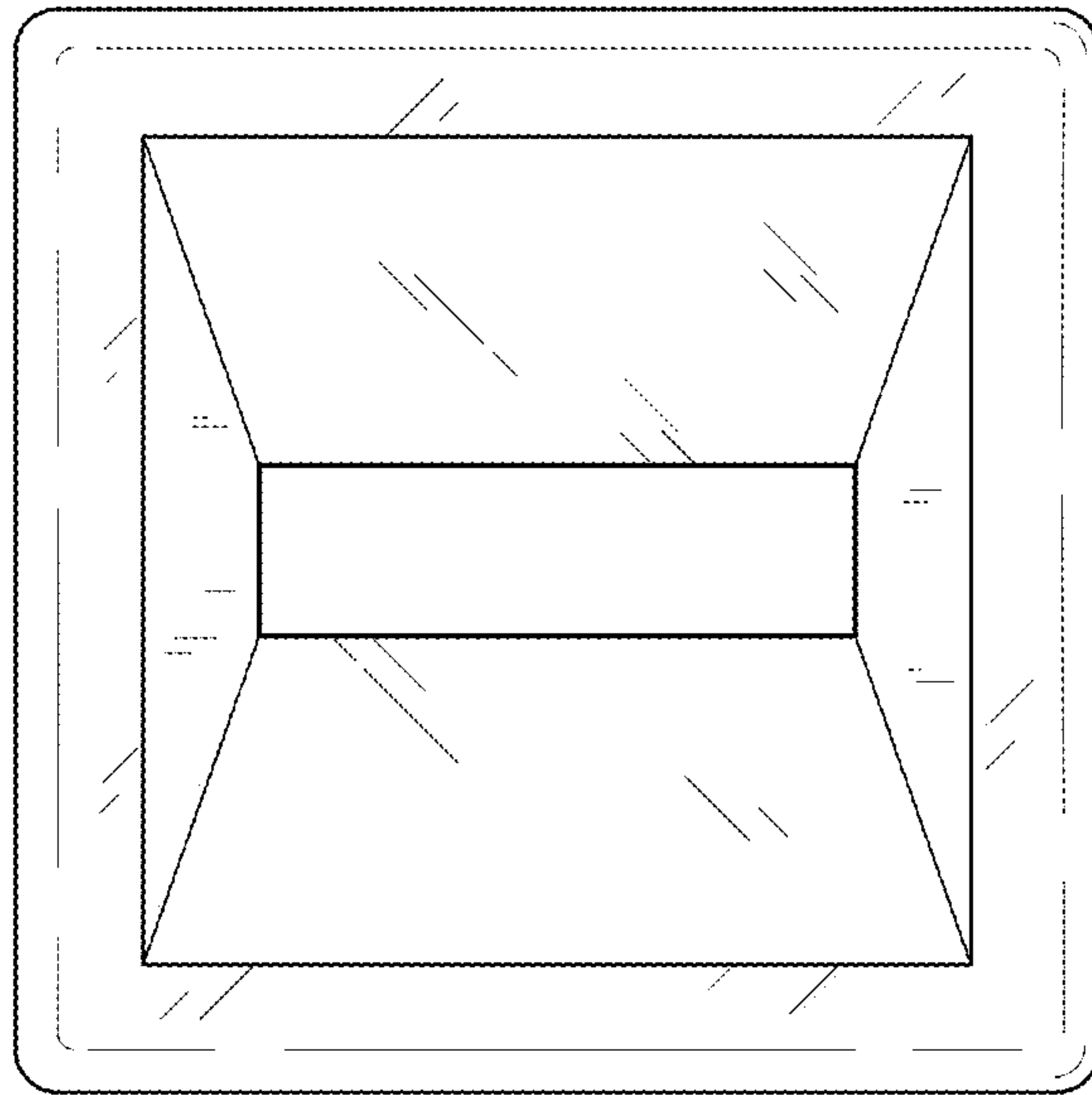


FIG. 3

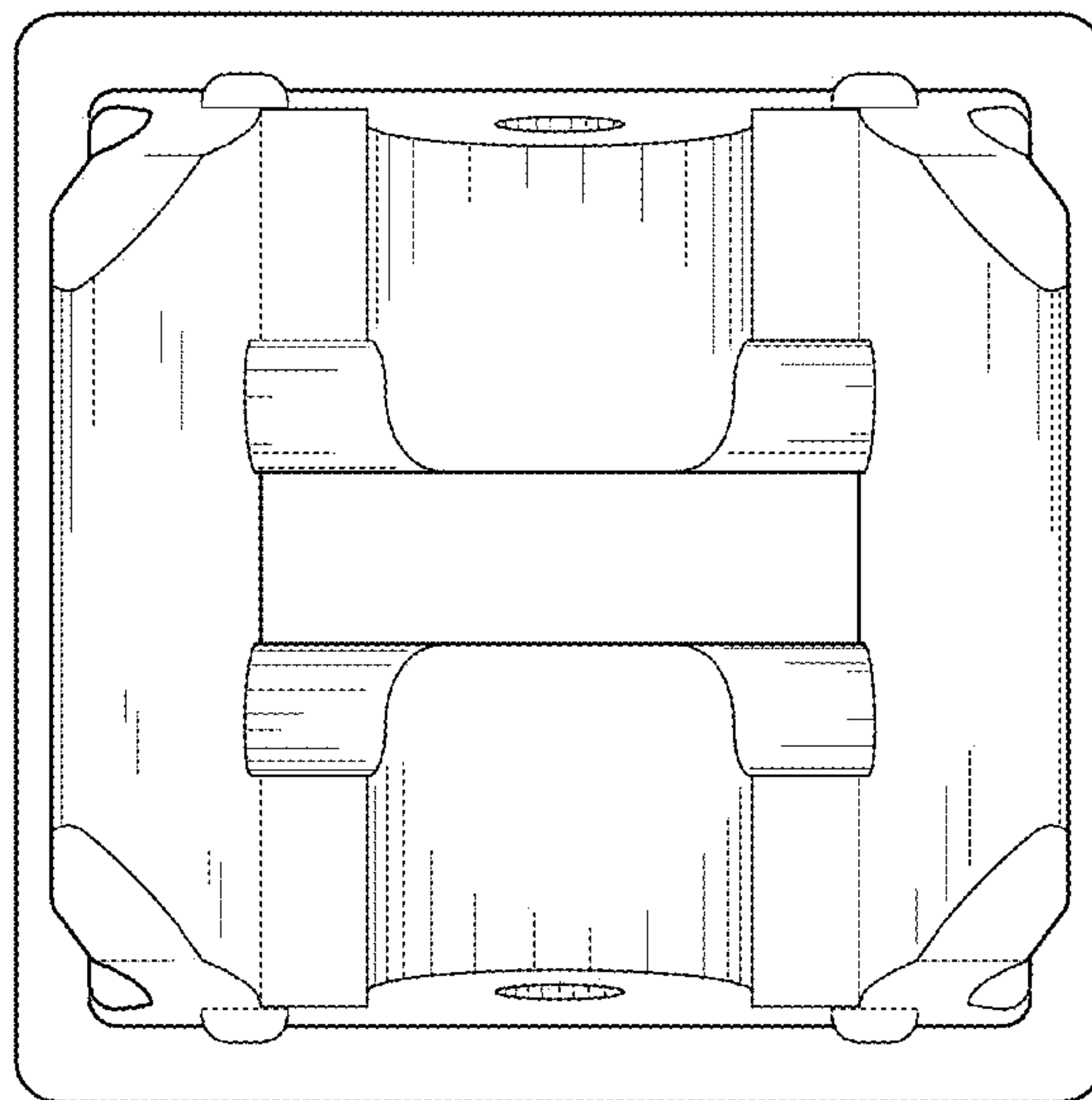


FIG. 4

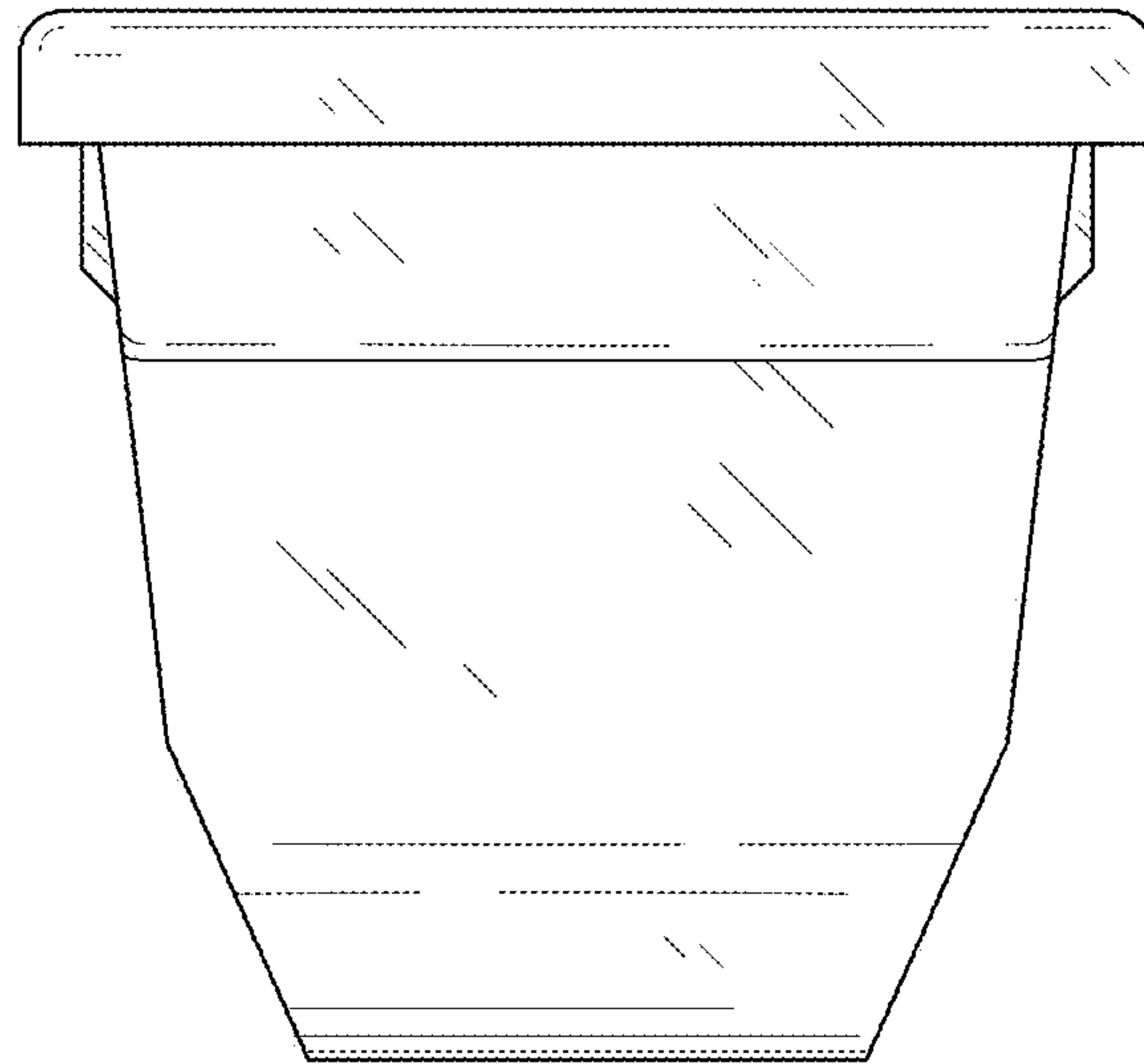


FIG. 5

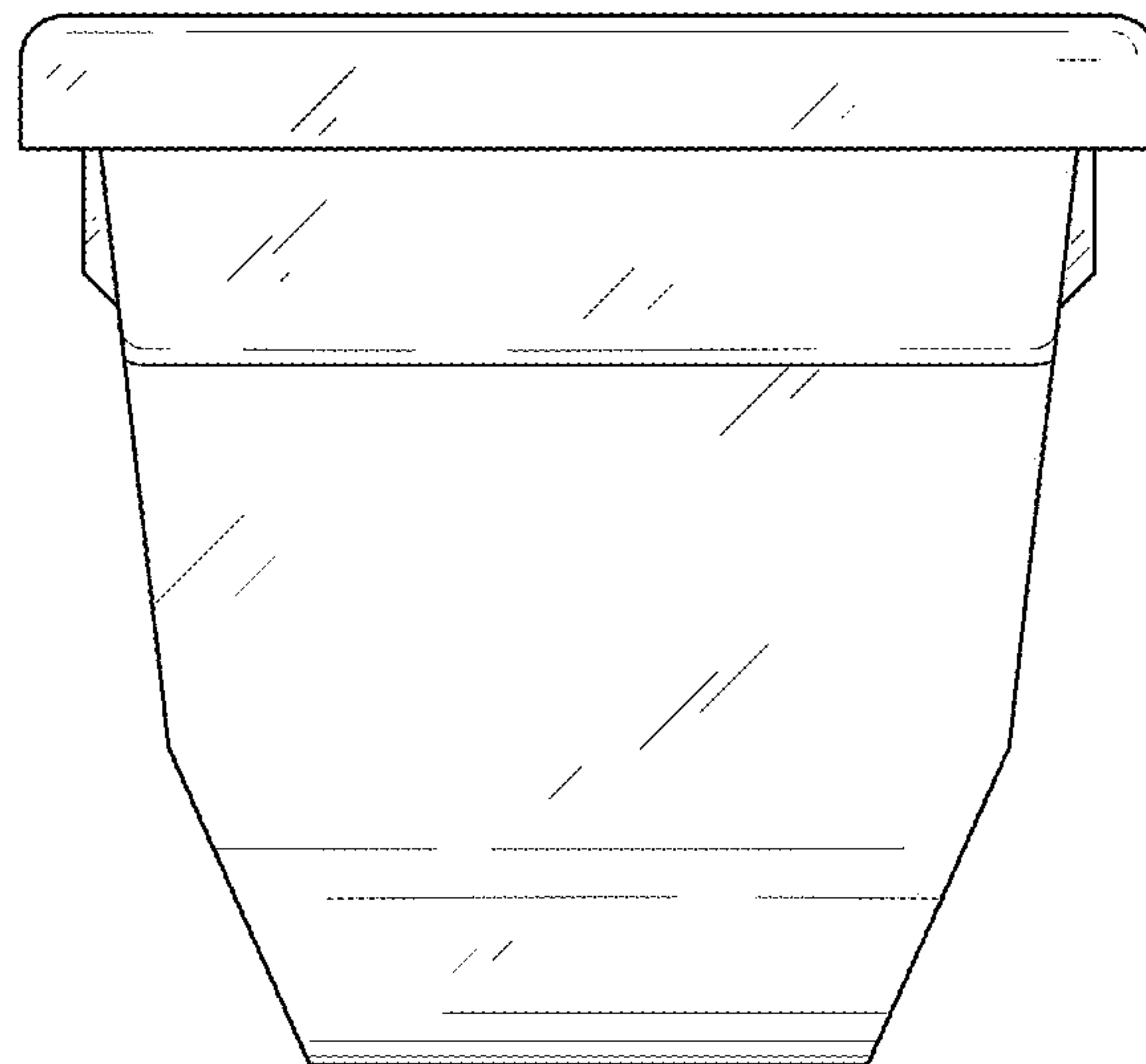


FIG. 6

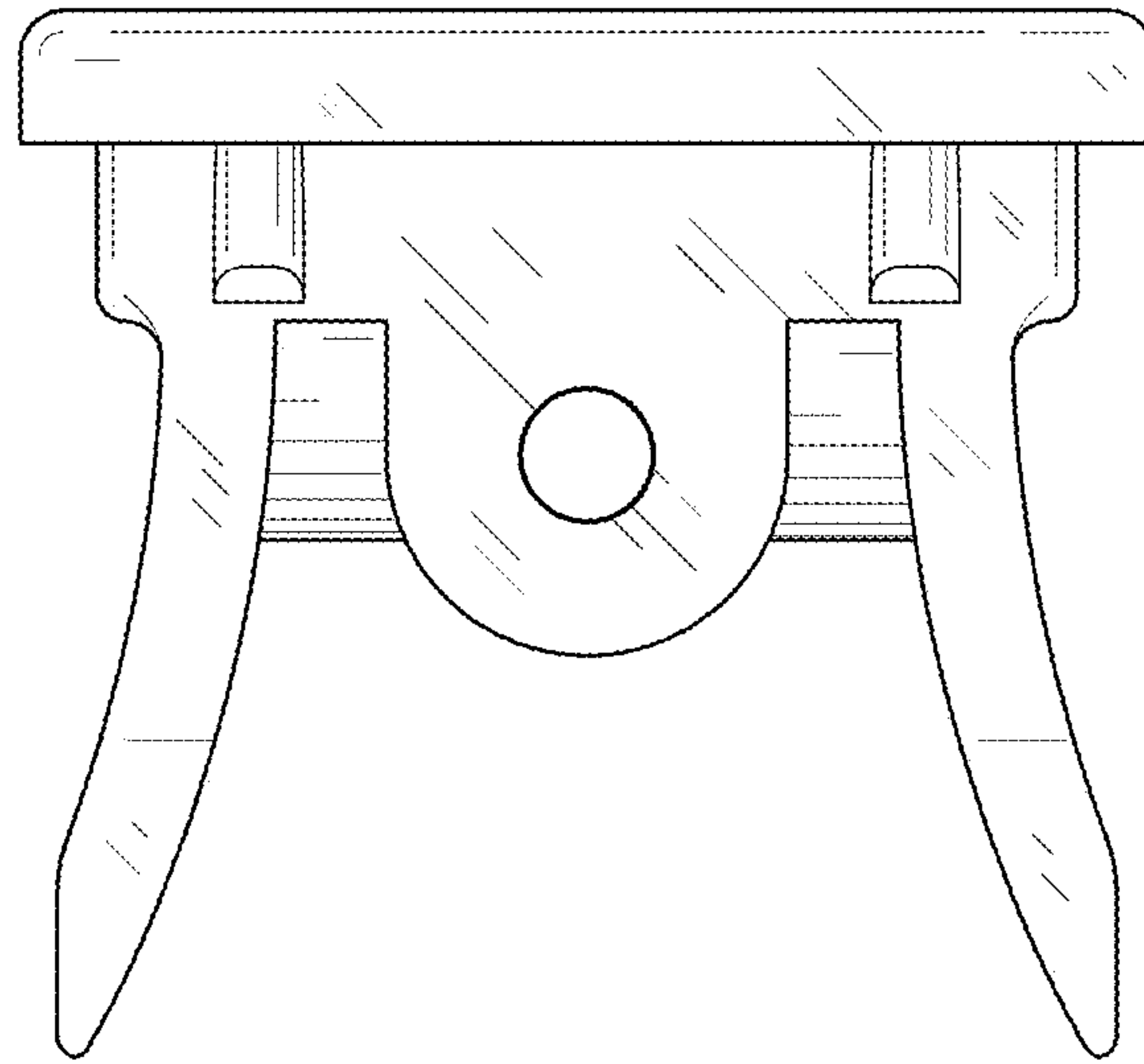


FIG. 7

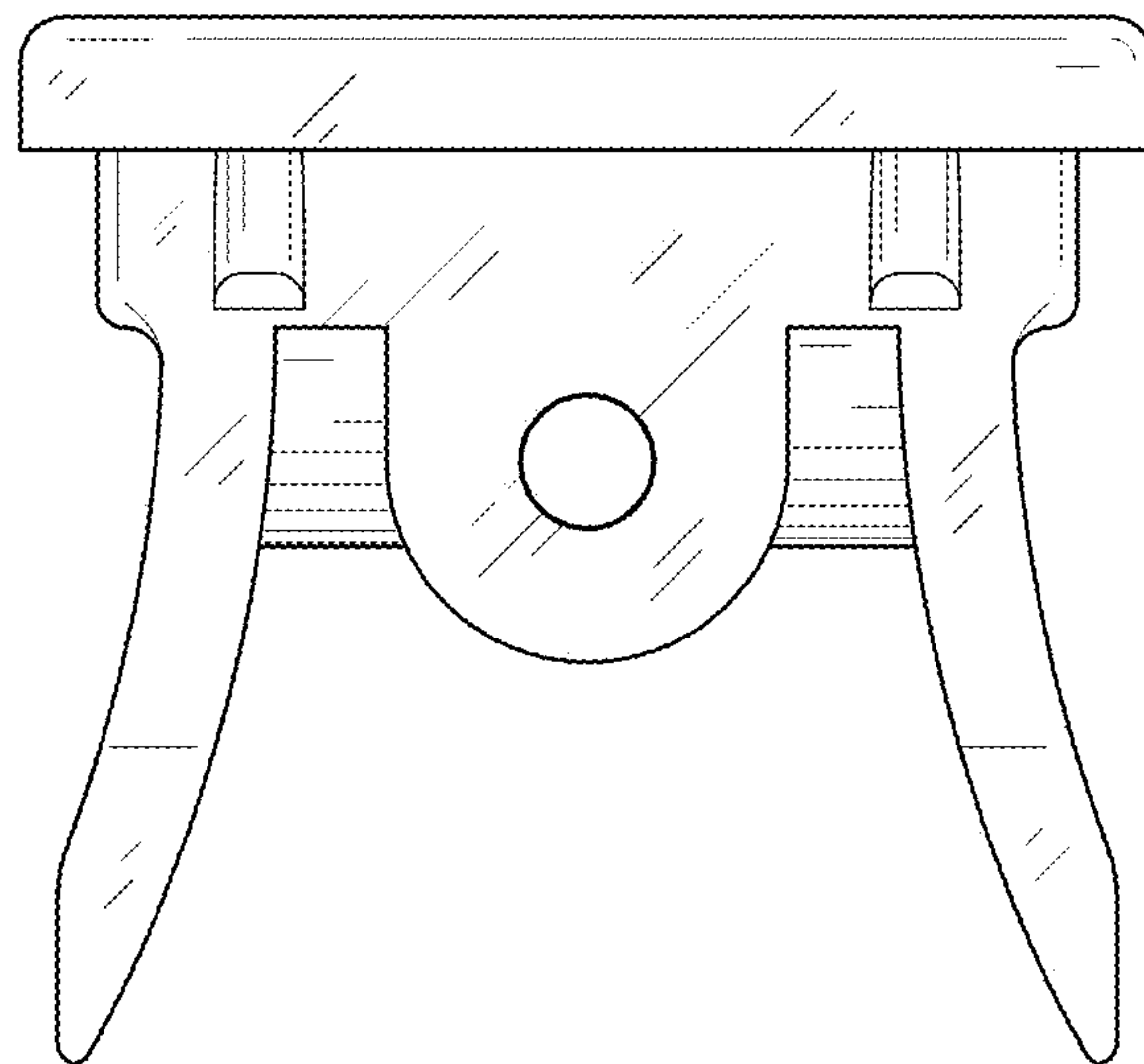


FIG. 8

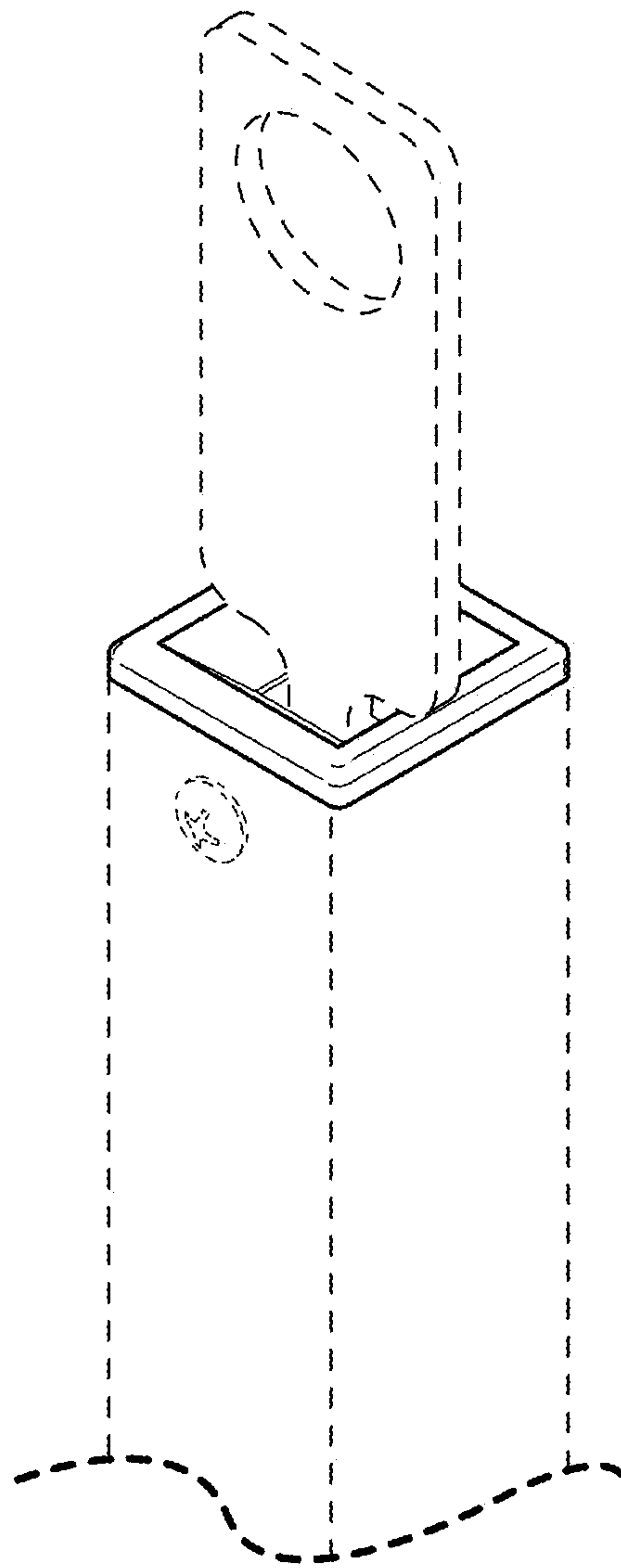


FIG. 9