



US00D876916S

(12) **United States Design Patent**  
**Matson et al.**

(10) **Patent No.:** **US D876,916 S**

(45) **Date of Patent:** **\*\* Mar. 3, 2020**

(54) **DUST COLLECTION ATTACHMENT FOR SAW**

D736,582 S \* 8/2015 Dietsche ..... D8/70  
D742,710 S \* 11/2015 Wiedemann ..... D8/70  
D743,230 S \* 11/2015 Wiedemann ..... D8/70

(Continued)

(71) Applicants: **Russell Matson**, Ralston, NE (US);  
**Warren Matson**, Omaha, NE (US)

(72) Inventors: **Russell Matson**, Ralston, NE (US);  
**Warren Matson**, Omaha, NE (US)

(\*\*) Term: **15 Years**

(21) Appl. No.: **29/655,863**

(22) Filed: **Jul. 9, 2018**

(51) **LOC (12) Cl.** ..... **08-05**

(52) **U.S. Cl.**  
USPC ..... **D8/70; D15/138**

(58) **Field of Classification Search**  
USPC ..... D8/14.1, 61–71, 90, 363; D15/124–126,  
D15/133, 138–140; D32/1, 15, 21, 25,  
D32/16–18  
CPC ..... B23Q 11/0046; B23Q 11/0053; B23Q  
11/0071; B23B 45/003; B25D 17/22  
See application file for complete search history.

(56) **References Cited**

U.S. PATENT DOCUMENTS

D376,526 S \* 12/1996 Hepburn ..... D8/70  
D407,094 S \* 3/1999 Meredith ..... D15/133  
D407,617 S \* 4/1999 Cooper ..... D8/66  
D435,259 S \* 12/2000 Brickner, Jr. .... D15/133  
D604,828 S \* 11/2009 Krohmer ..... D32/31  
D614,678 S \* 4/2010 Jorgensen ..... D15/138  
D659,922 S \* 5/2012 Krohmer ..... D32/31  
D677,547 S \* 3/2013 Rosenau ..... D8/70  
D677,548 S \* 3/2013 Rosenau ..... D8/70  
D678,028 S \* 3/2013 Rosenau ..... D8/70  
D683,918 S \* 6/2013 Erlich ..... D32/25  
D695,584 S \* 12/2013 Chen ..... D8/70  
D703,401 S \* 4/2014 Hill ..... D32/31  
D719,806 S \* 12/2014 Wiedemann ..... D8/70

OTHER PUBLICATIONS

EZSMART Dust Port, Model: EZDP100, Tools & Hardware Store;  
Amazon.com; Oct. 11, 2018; 1 page.

(Continued)

*Primary Examiner* — Darlington Ly

(74) *Attorney, Agent, or Firm* — Erik M. Antonson;  
Advent, LLP

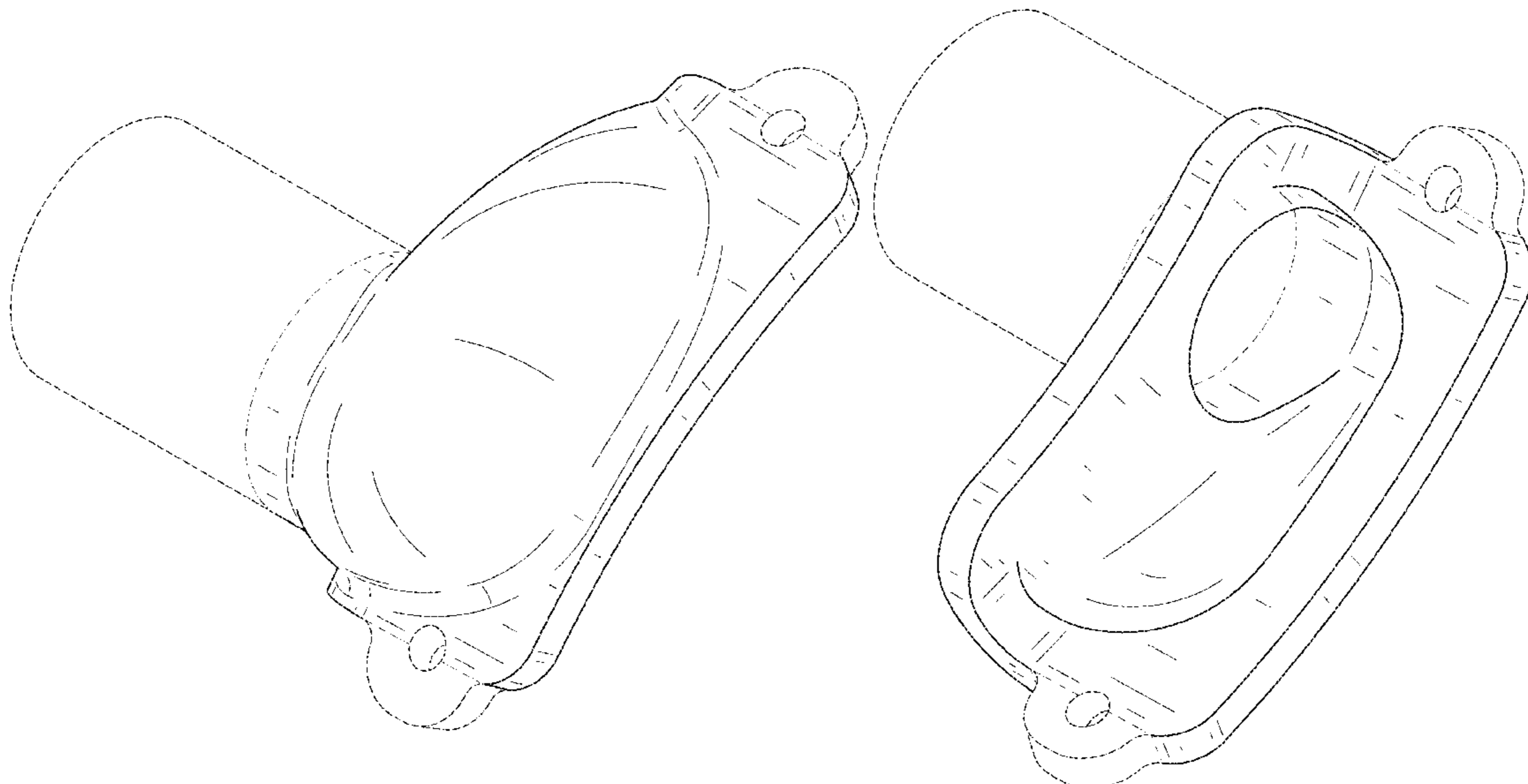
(57) **CLAIM**

The ornamental design for a dust collection attachment for saw, as shown and described.

**DESCRIPTION**

FIG. 1 is a top view of a dust collection attachment for saw. FIG. 2 is a bottom view of the dust collection attachment for saw of FIG. 1. FIG. 3 is a front view of the dust collection attachment for saw of FIG. 1. FIG. 4 is a rear view of the dust collection attachment for saw of FIG. 1. FIG. 5 is a left side view of the dust collection attachment for saw of FIG. 1. FIG. 6 is a right side view of the dust collection attachment for saw of FIG. 1. FIG. 7 is an isometric view of the dust collection attachment for saw of FIG. 1. FIG. 8 is another isometric view of the dust collection attachment for saw of FIG. 1; and, FIG. 9 is a further isometric view of the dust collection attachment for saw of FIG. 1. Portions of FIGS. 1 through 9 are shown in broken lines and dash-dot-dash boundary lines illustrating portions of the article that form no part of the claimed design.

**1 Claim, 9 Drawing Sheets**



(56)

**References Cited**

U.S. PATENT DOCUMENTS

D795,317 S \* 8/2017 Wenning ..... D15/138  
D802,102 S \* 11/2017 Mursu ..... D23/259  
D803,916 S \* 11/2017 Dammkoehler ..... D15/138  
D816,453 S \* 5/2018 Hansen ..... D8/70  
D818,788 S \* 5/2018 Dammkoehler ..... D8/70  
10,293,421 B2 \* 5/2019 Hansen ..... B23D 59/006

OTHER PUBLICATIONS

Saw Muzzle, for Makita Hypoid Saws, Dust Collection Products and Services; Amazon.com; Oct. 11, 2018; 1 page.

Skilsaw; Google Express—Shopping; Google, Inc.; express.google.com; Oct. 11, 2018; 1 page.

Dustless Technologies D4000 7" Worm Drive Saw Shroud; Tool Fetch; toolfetch.com; Oct. 11, 2018; 1 page.

\* cited by examiner

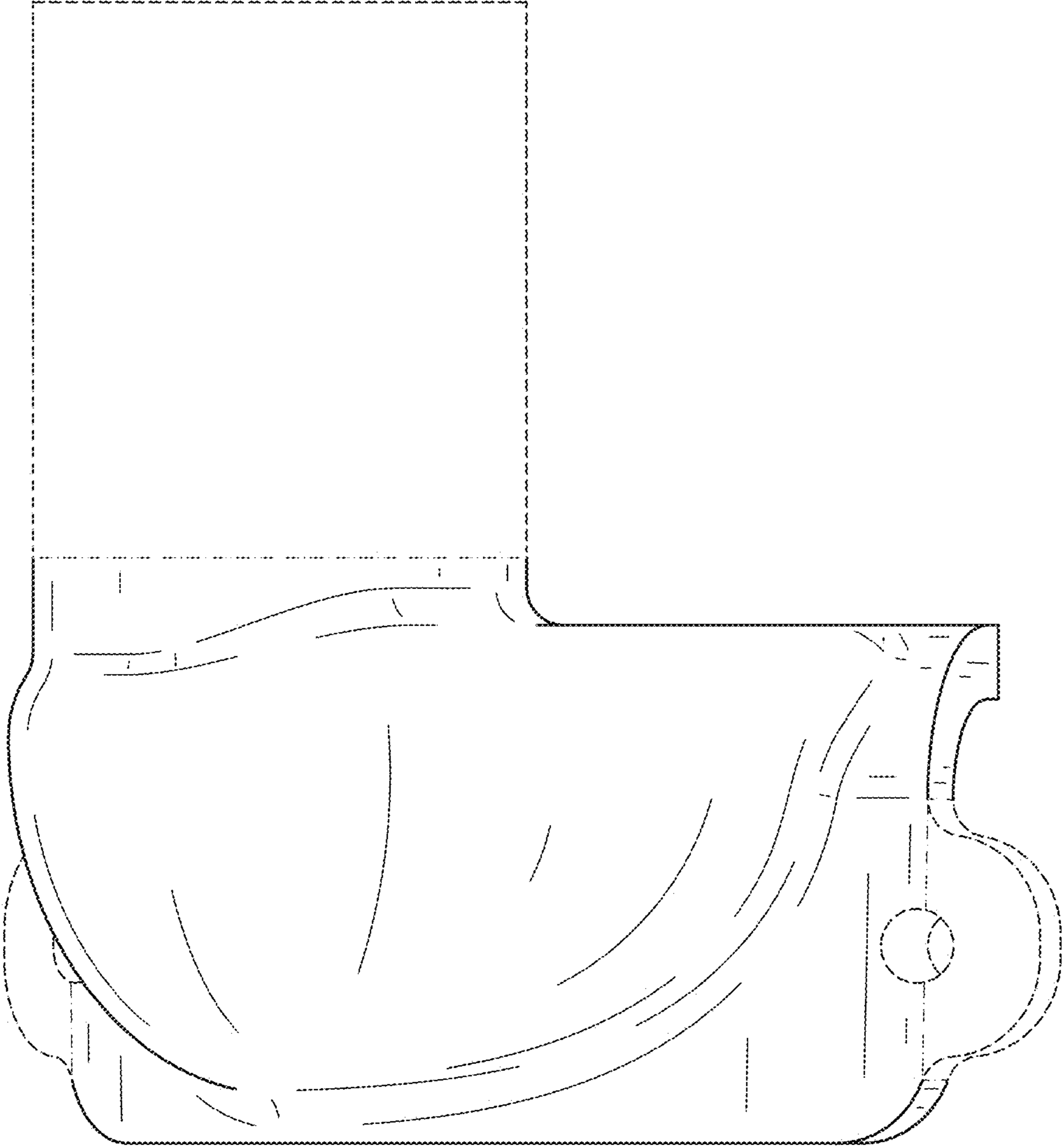


FIG. 1

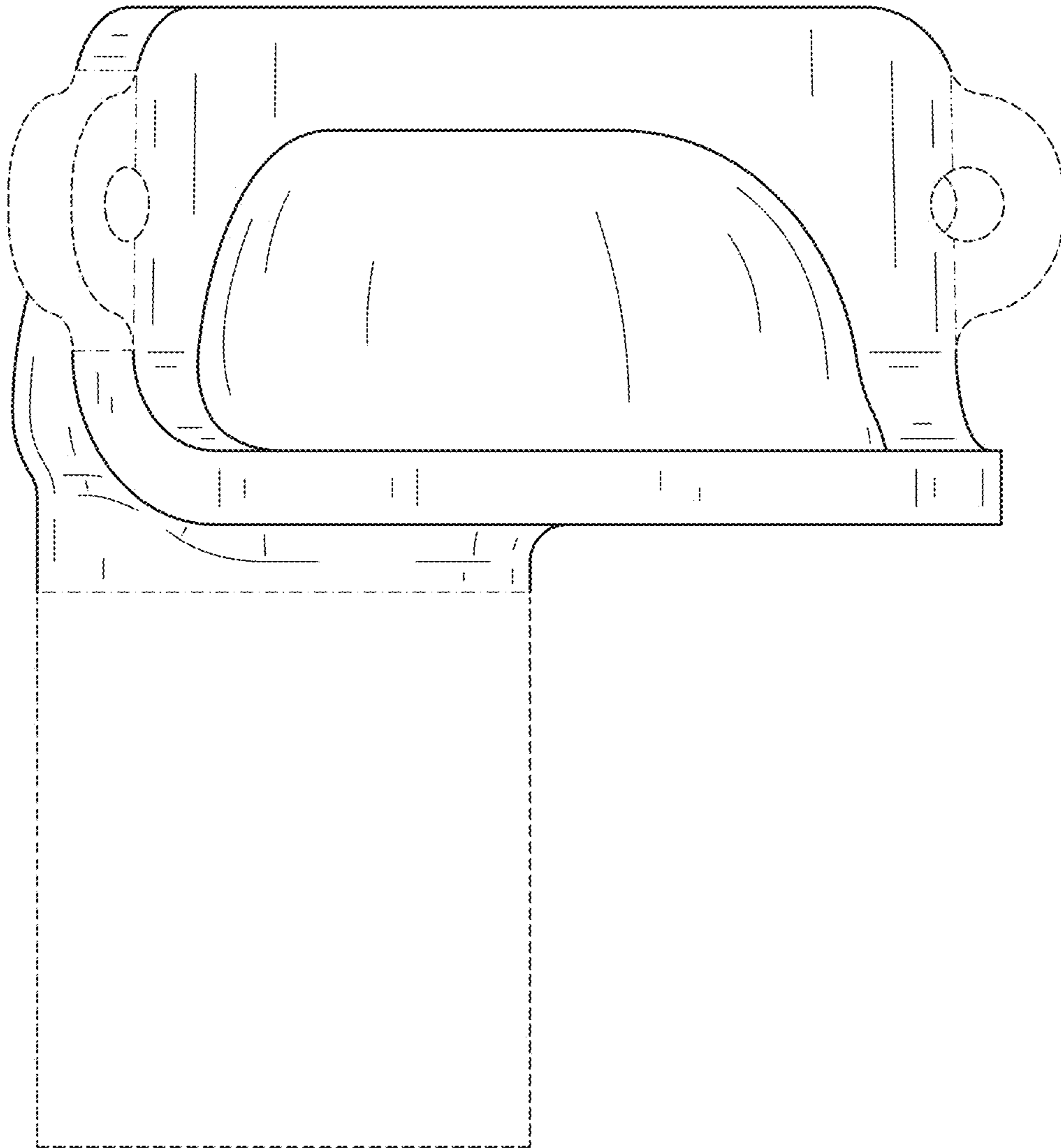
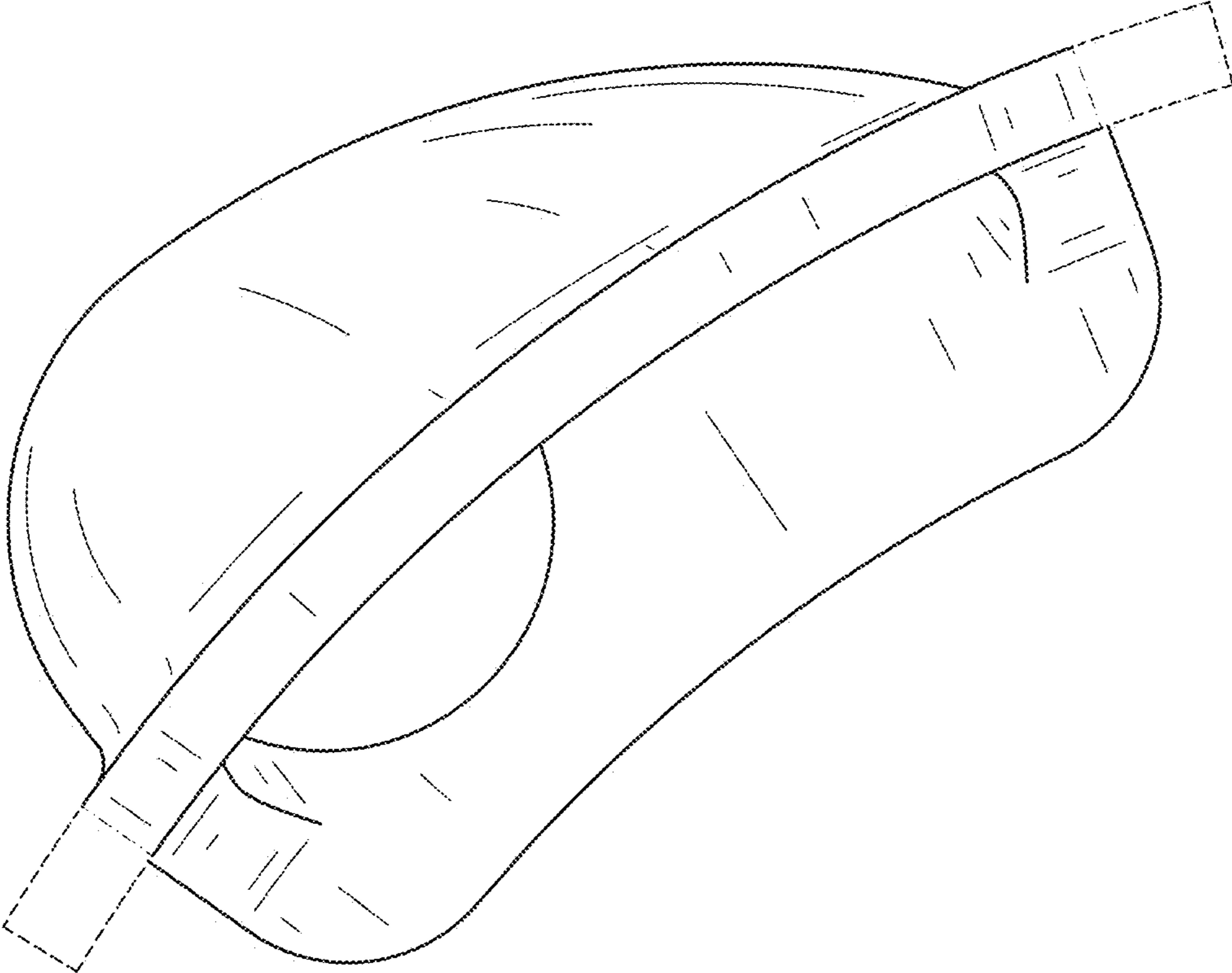


FIG. 2



**FIG. 3**

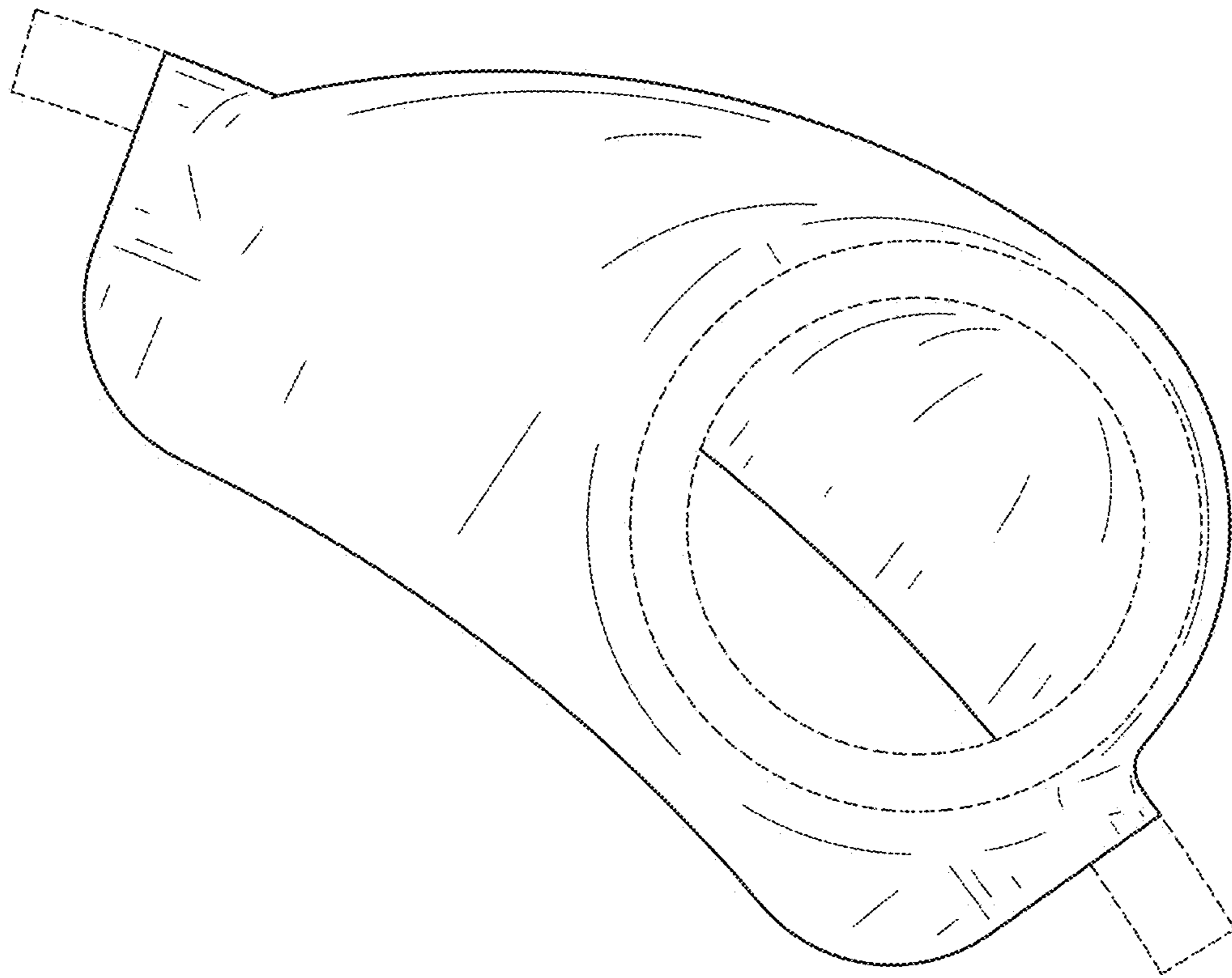
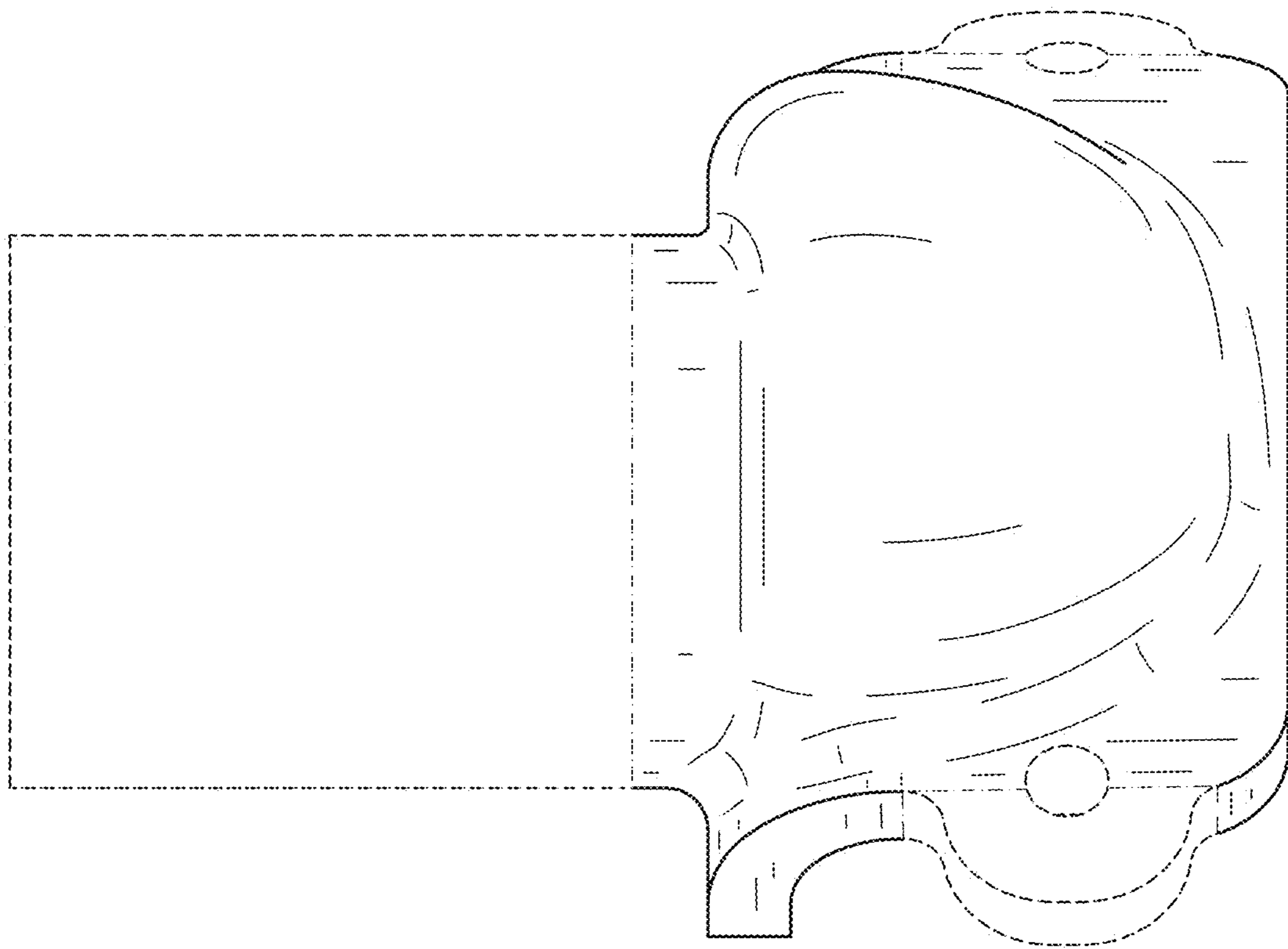


FIG. 4



**FIG. 5**

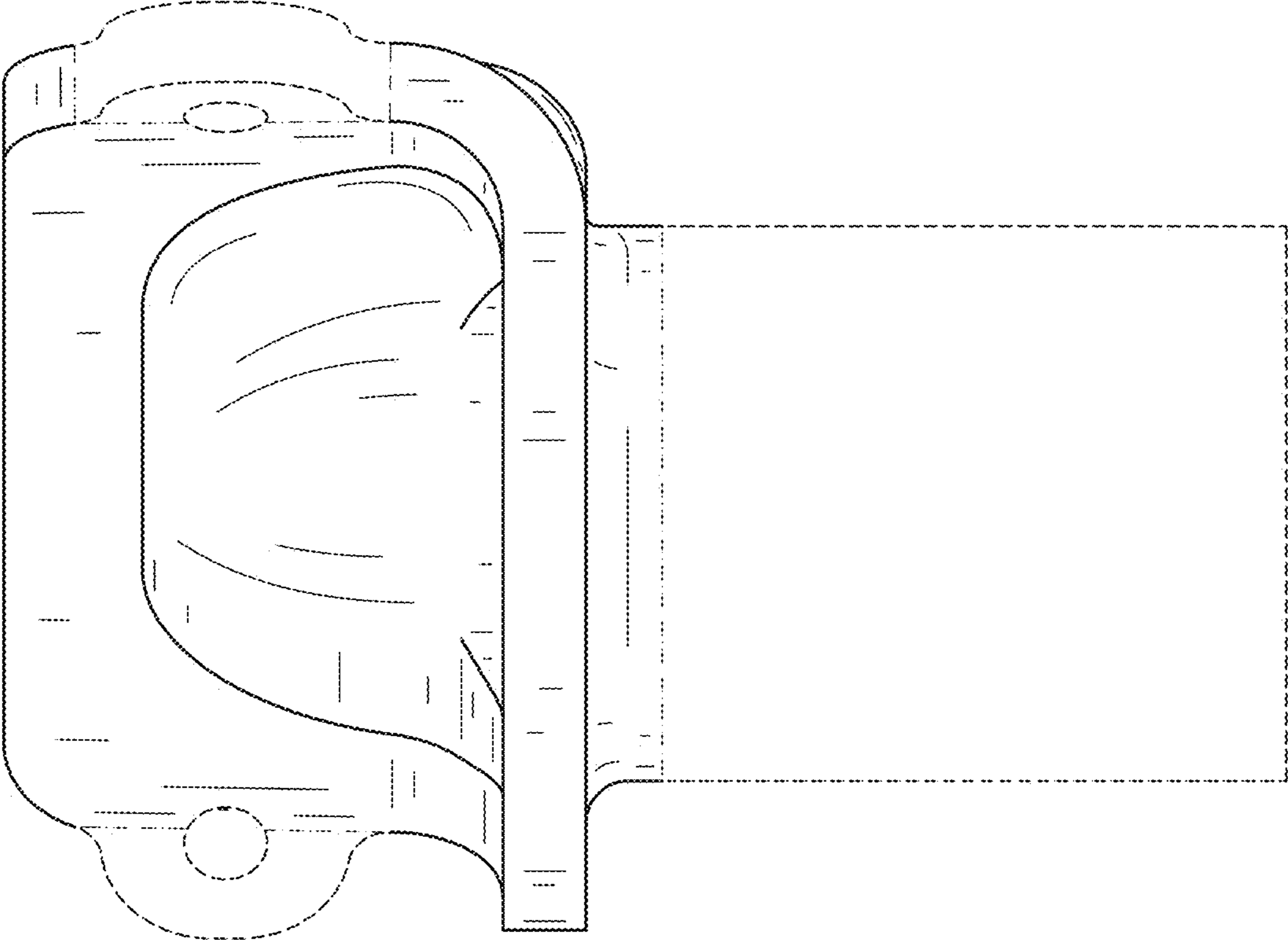
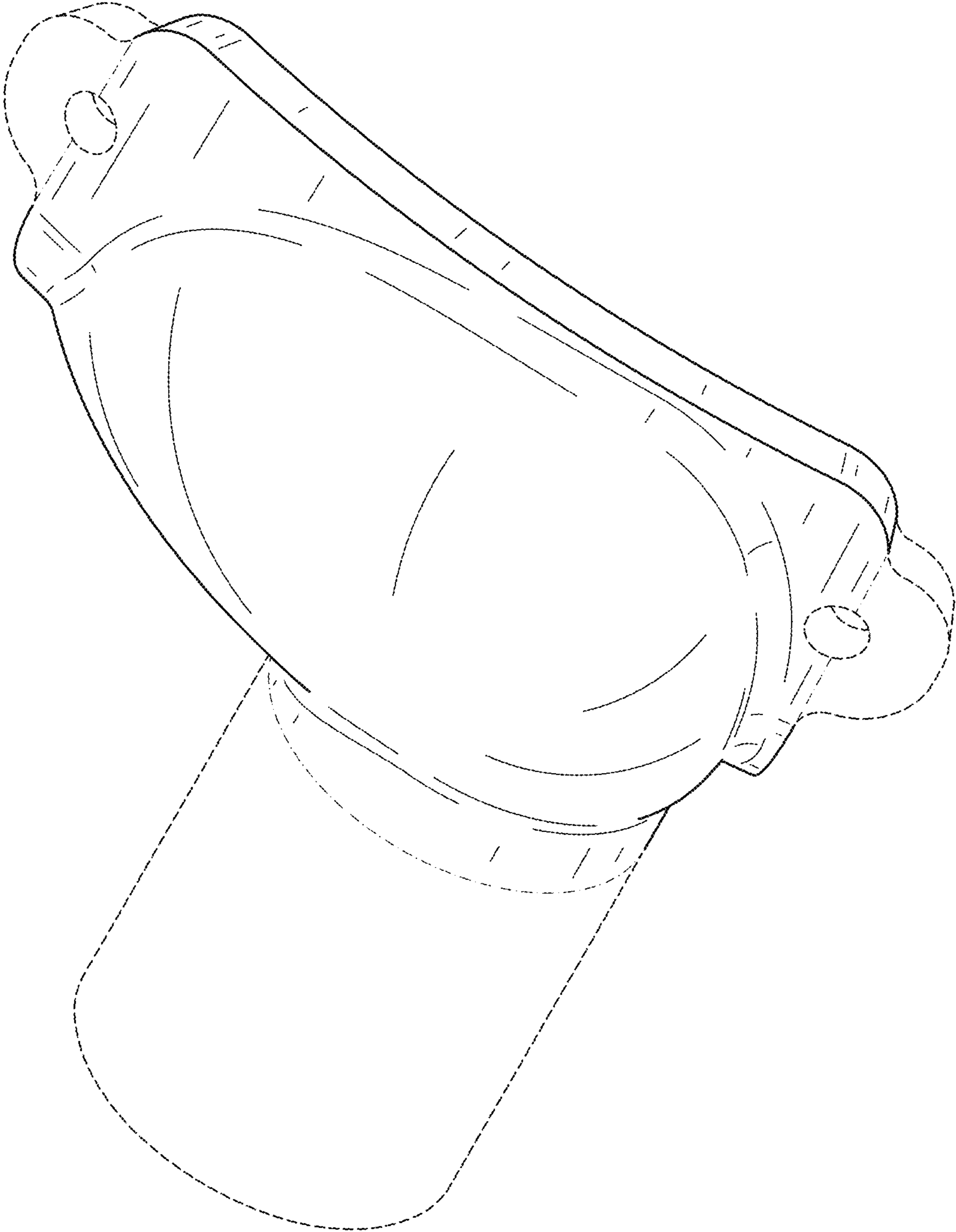


FIG. 6





**FIG. 7**

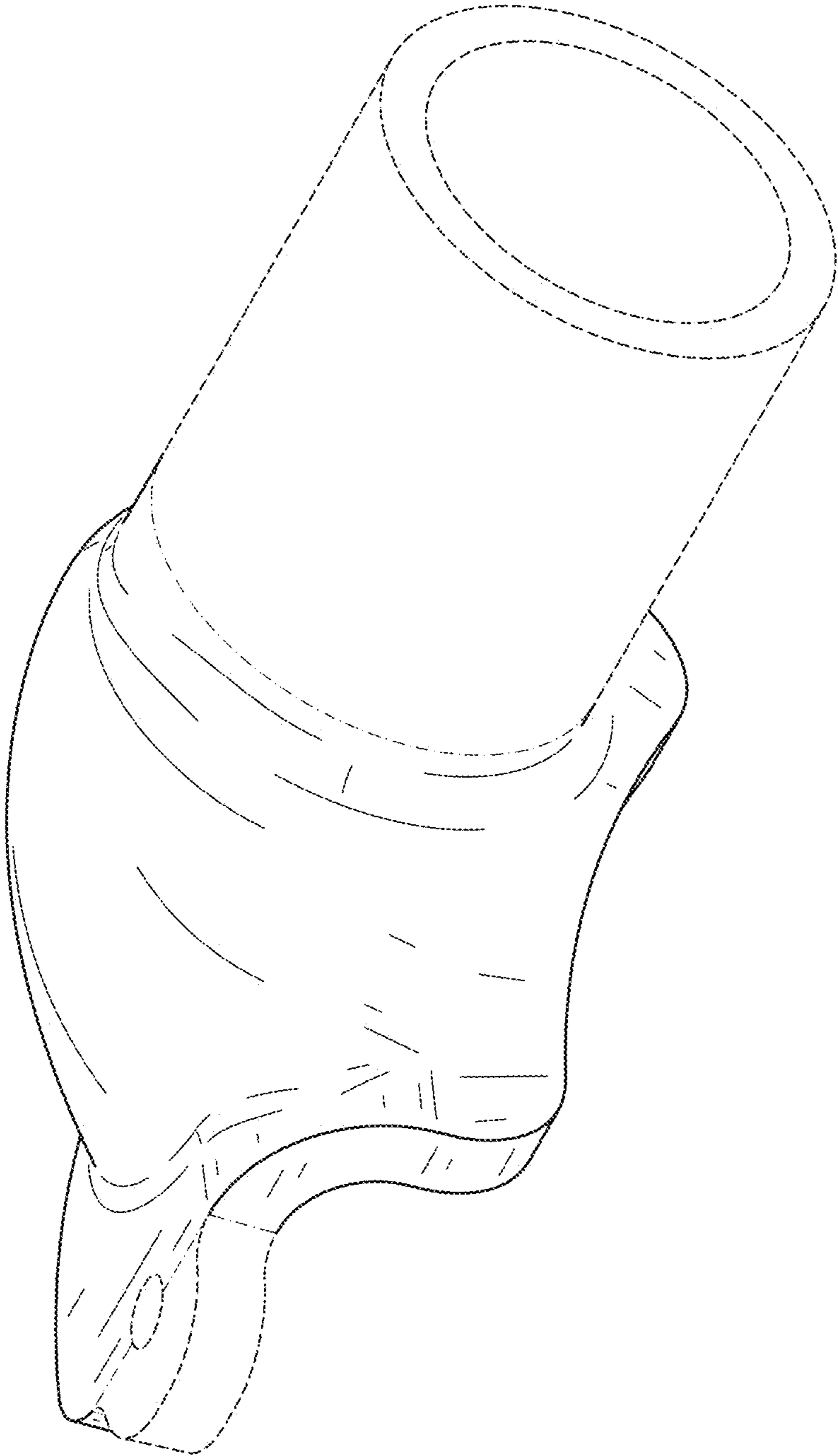


FIG. 8

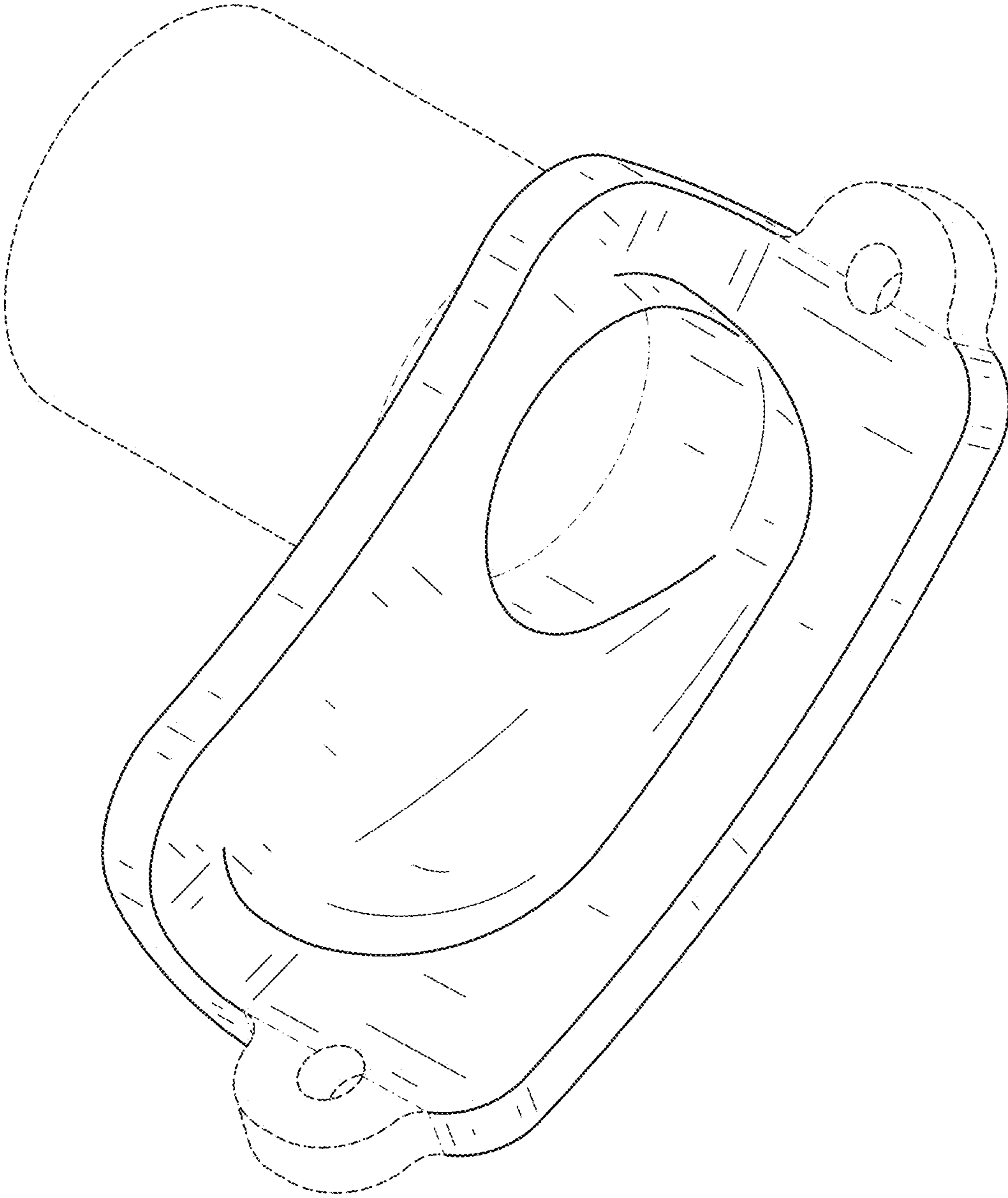


FIG. 9