

US00D876915S

(12) **United States Design Patent**
Romanak

(10) **Patent No.:** **US D876,915 S**
(45) **Date of Patent:** **** Mar. 3, 2020**

(54) **RATCHET**

(71) Applicant: **HORIZON GLOBAL AMERICAS INC.**, Plymouth, MI (US)

(72) Inventor: **Matthew Romanak**, Garfield Heights, OH (US)

(73) Assignee: **HORIZON GLOBAL AMERICAS INC.**, Plymouth, MI (US)

(**) Term: **15 Years**

(21) Appl. No.: **29/654,423**

(22) Filed: **Jun. 25, 2018**

Related U.S. Application Data

(60) Division of application No. 29/586,510, filed on Dec. 5, 2016, now Pat. No. Des. 821,172, which is a continuation-in-part of application No. 29/580,310, filed on Oct. 7, 2016, now Pat. No. Des. 821,837.

(51) **LOC (12) Cl.** **08-05**

(52) **U.S. Cl.**
USPC **D8/44**

(58) **Field of Classification Search**
USPC D8/44, 14, 51, 107
CPC B25B 25/00; B21F 9/00; B60P 7/0823;
B60P 7/083; B60P 7/0846; Y10T 24/21;
Y10T 24/2117

See application file for complete search history.

(56) **References Cited**

U.S. PATENT DOCUMENTS

D266,828 S 11/1982 Prete
6,908,073 B1 6/2005 Hsieh

D530,997 S	10/2006	Hsieh	
7,448,596 B1	11/2008	Chang	
D661,562 S	6/2012	Stevens	
D675,498 S	2/2013	Stevens	
D820,058 S *	6/2018	Breedon, III	D8/44
D821,172 S *	6/2018	Romanak	D8/44
D821,837 S *	7/2018	Romanak	D8/44
D826,016 S *	8/2018	Breedon, III	D8/44
D826,017 S *	8/2018	Breedon III	D8/44
2004/0169170 A1	9/2004	Hernandez	
2006/0277726 A1	12/2006	Hsieh	
2009/0279978 A1	11/2009	Polin	
2009/0283729 A1	11/2009	Carlson	

* cited by examiner

Primary Examiner — Philip S Hyder

(74) *Attorney, Agent, or Firm* — McDonald Hopkins LLC

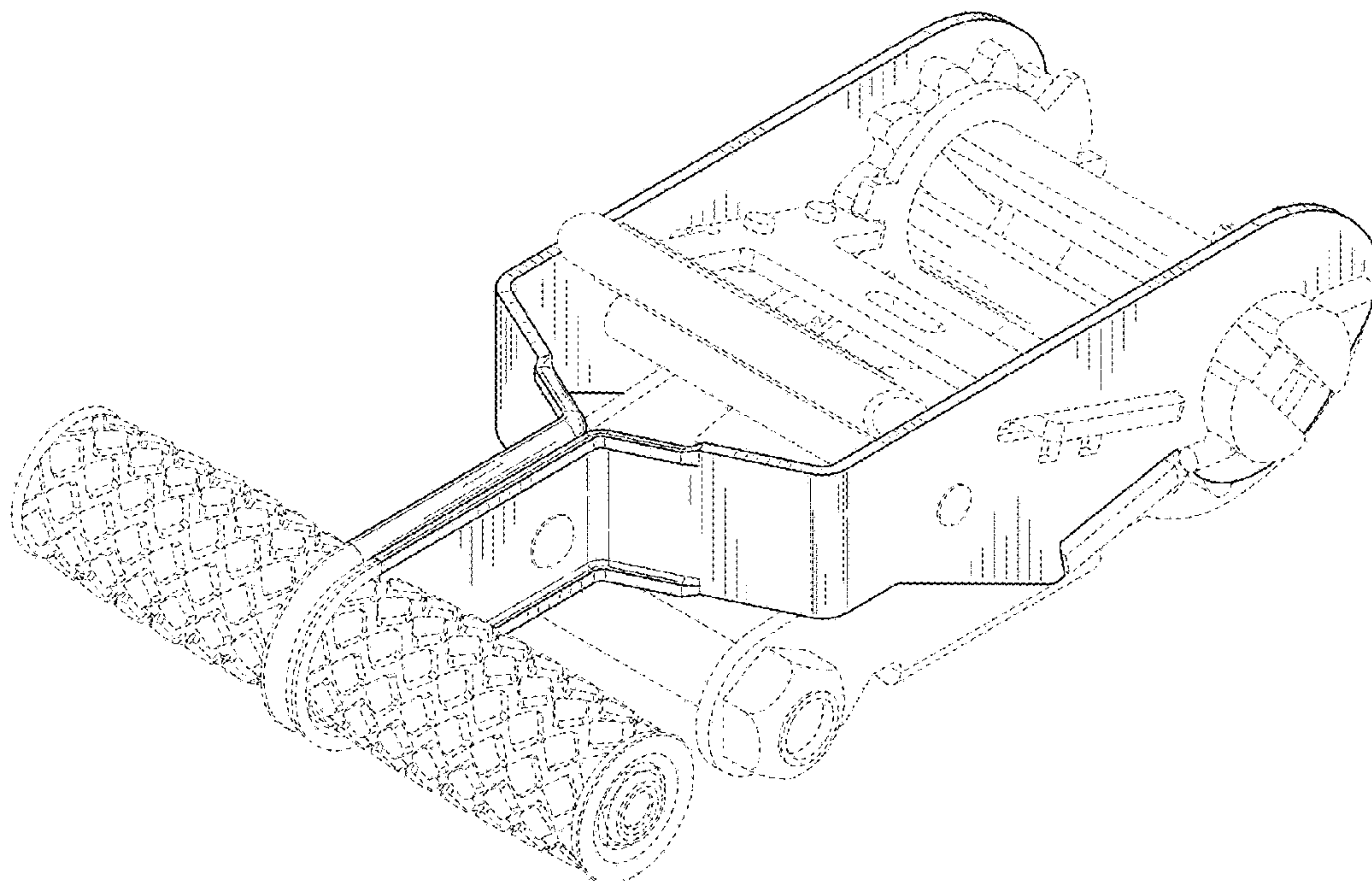
(57) **CLAIM**

The ornamental design for a ratchet, as shown and described.

DESCRIPTION

FIG. 1 is a perspective view of a ratchet showing my new design;
FIG. 2 is a front side view thereof;
FIG. 3 is a back side view thereof;
FIG. 4 is a first side view thereof;
FIG. 5 is a second side view thereof;
FIG. 6 is a top view thereof; and,
FIG. 7 is a bottom view thereof.
The broken lines in the figures are included for the purpose of illustrating portions of a ratchet and form no part of the claimed design.

1 Claim, 6 Drawing Sheets



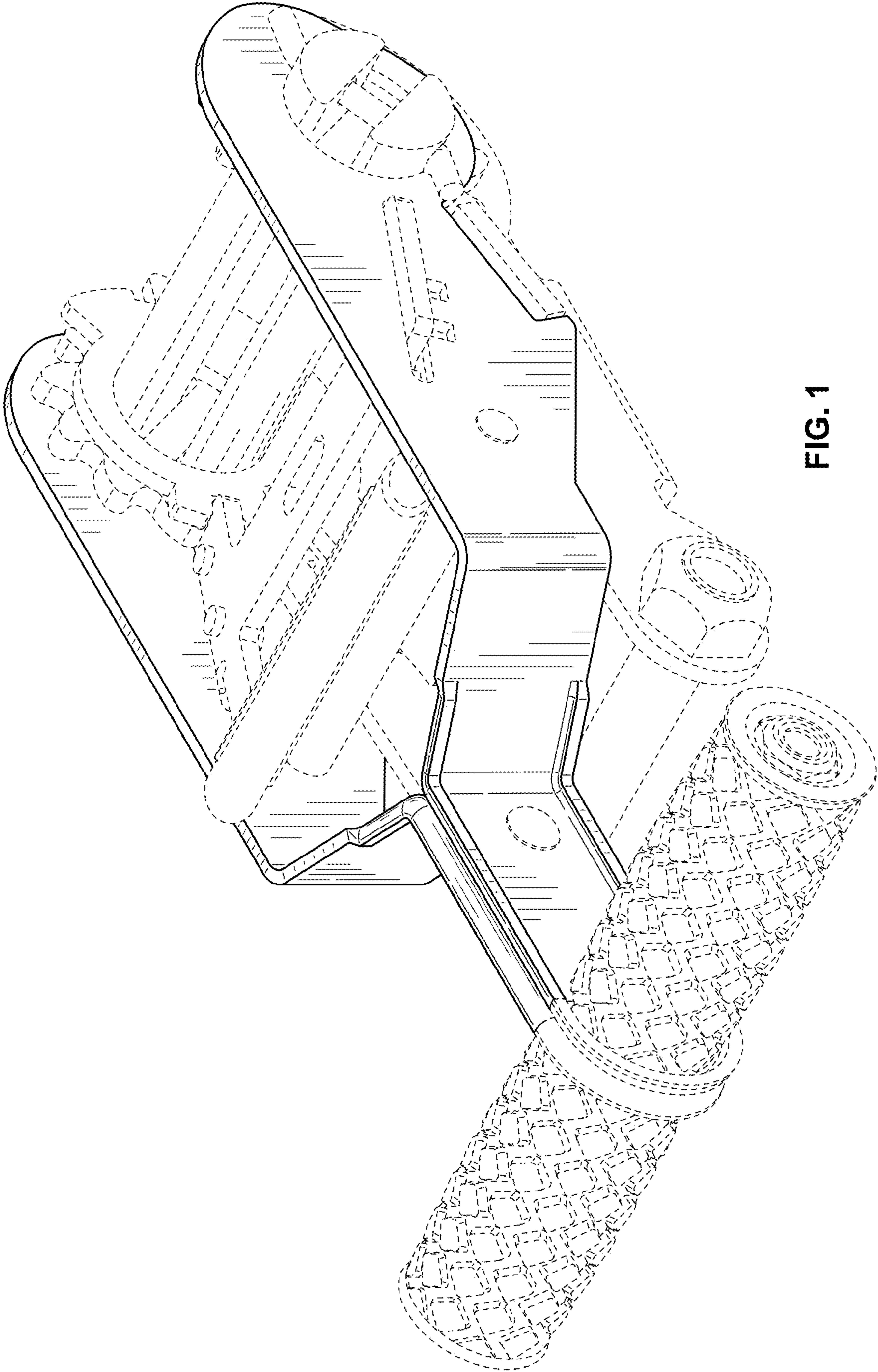


FIG. 1

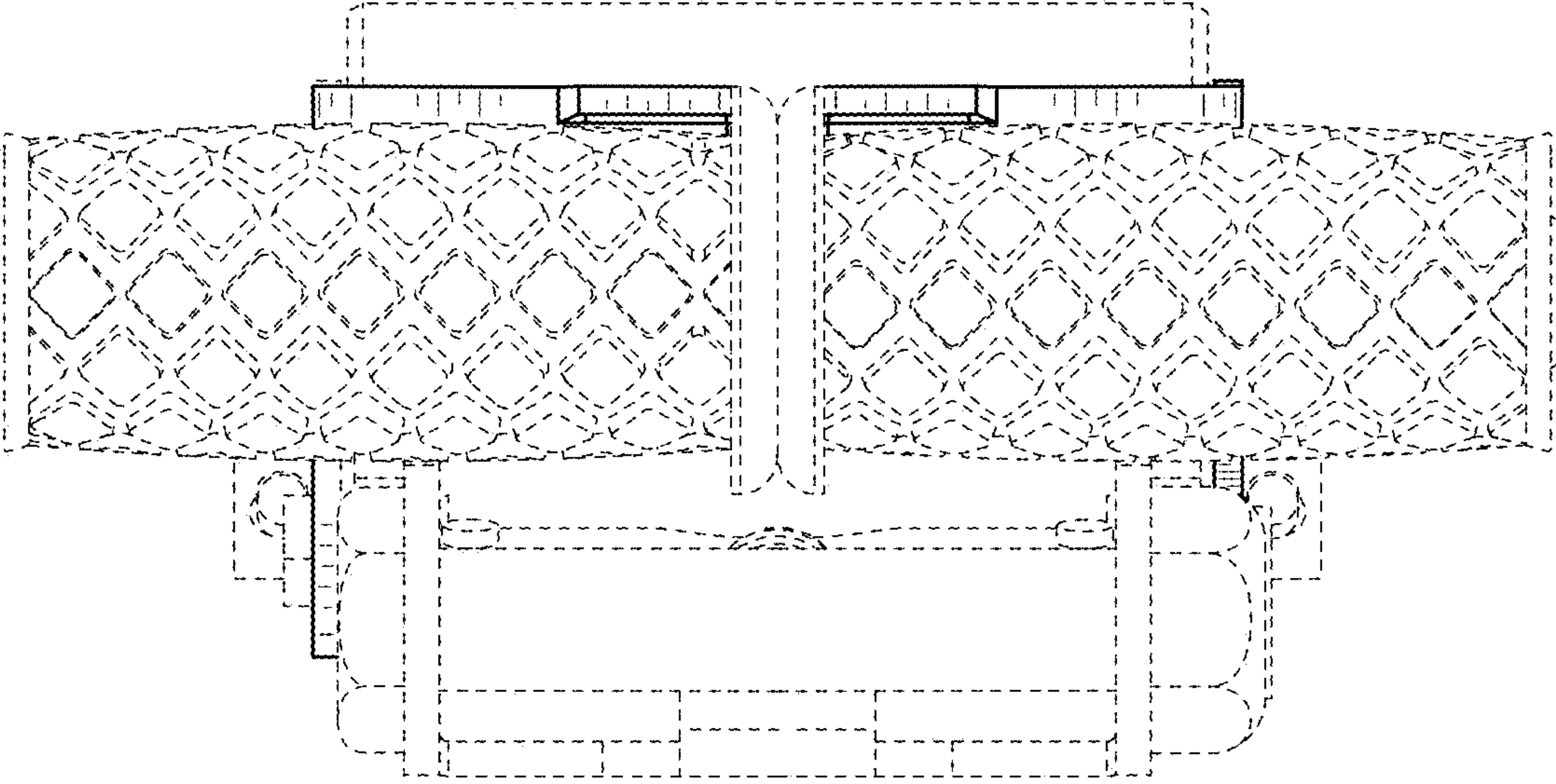


FIG. 2

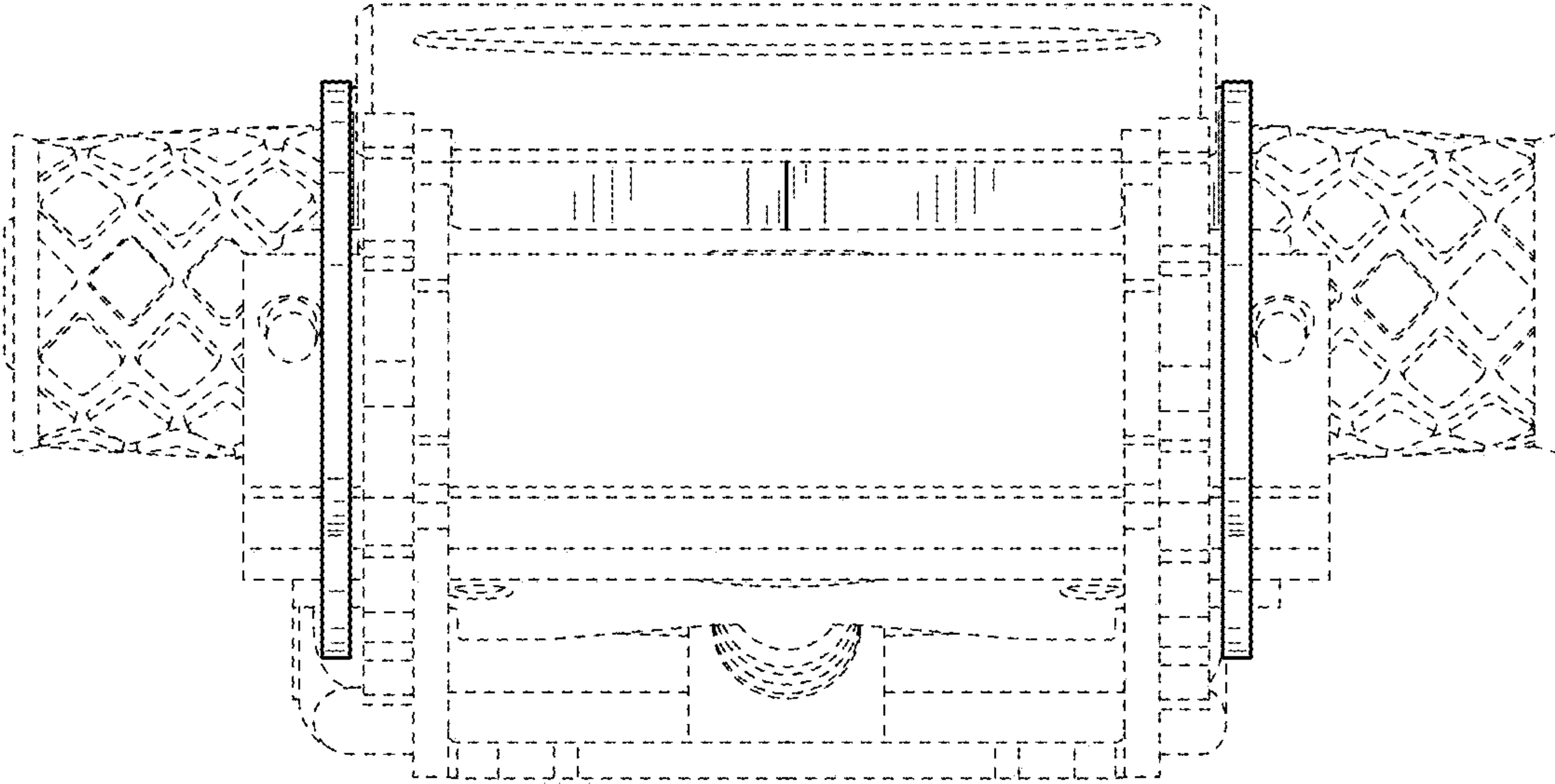


FIG. 3

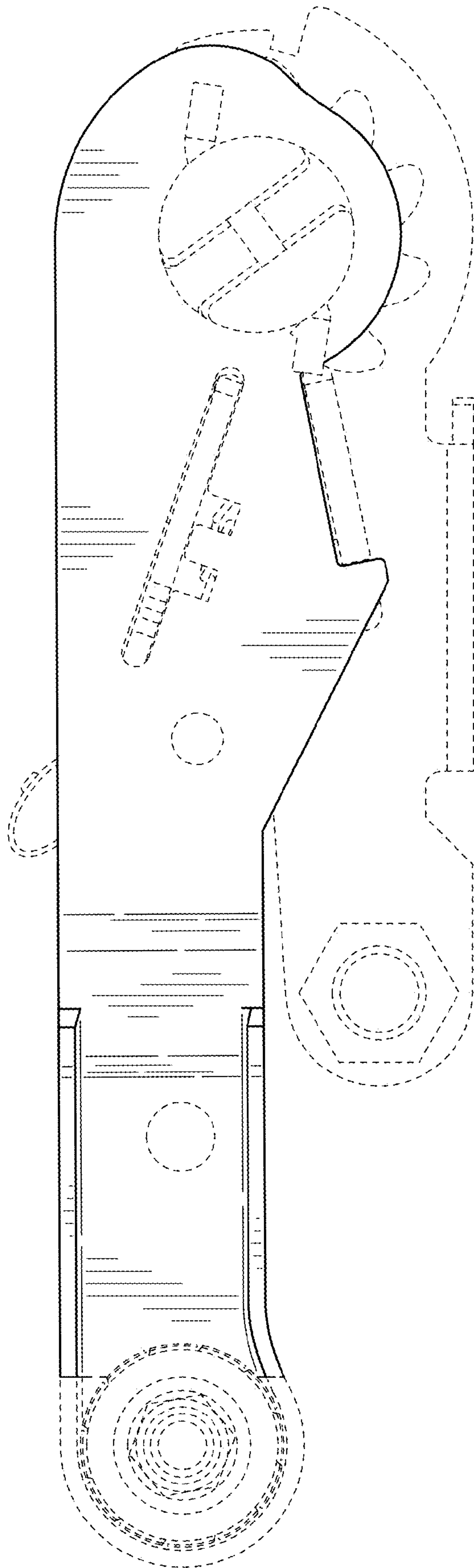


FIG. 4

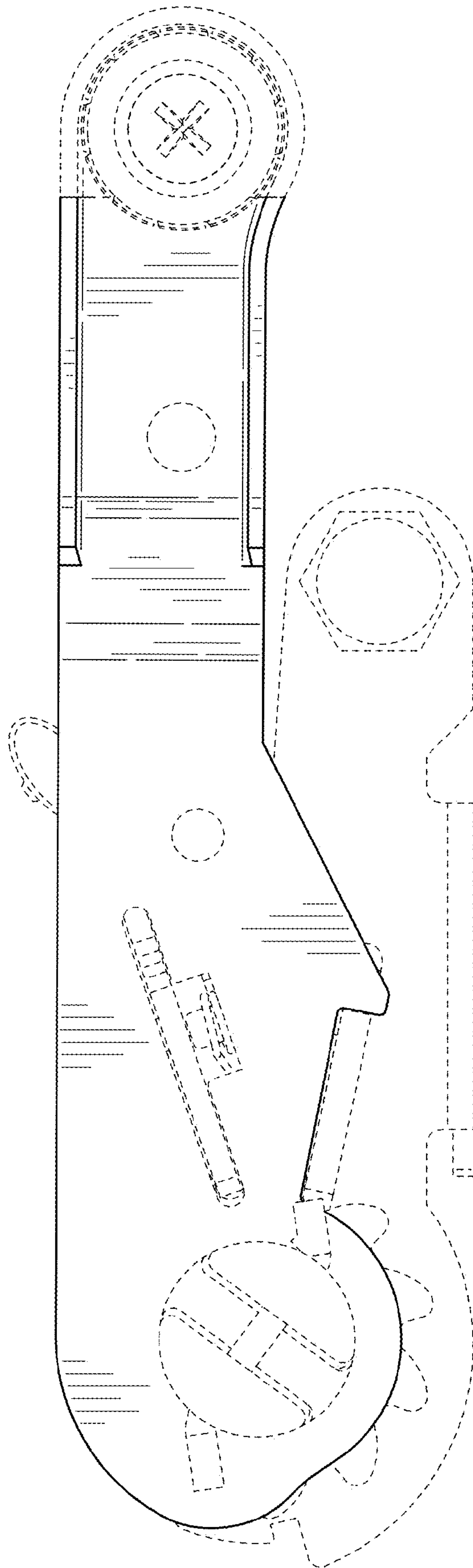


FIG. 5

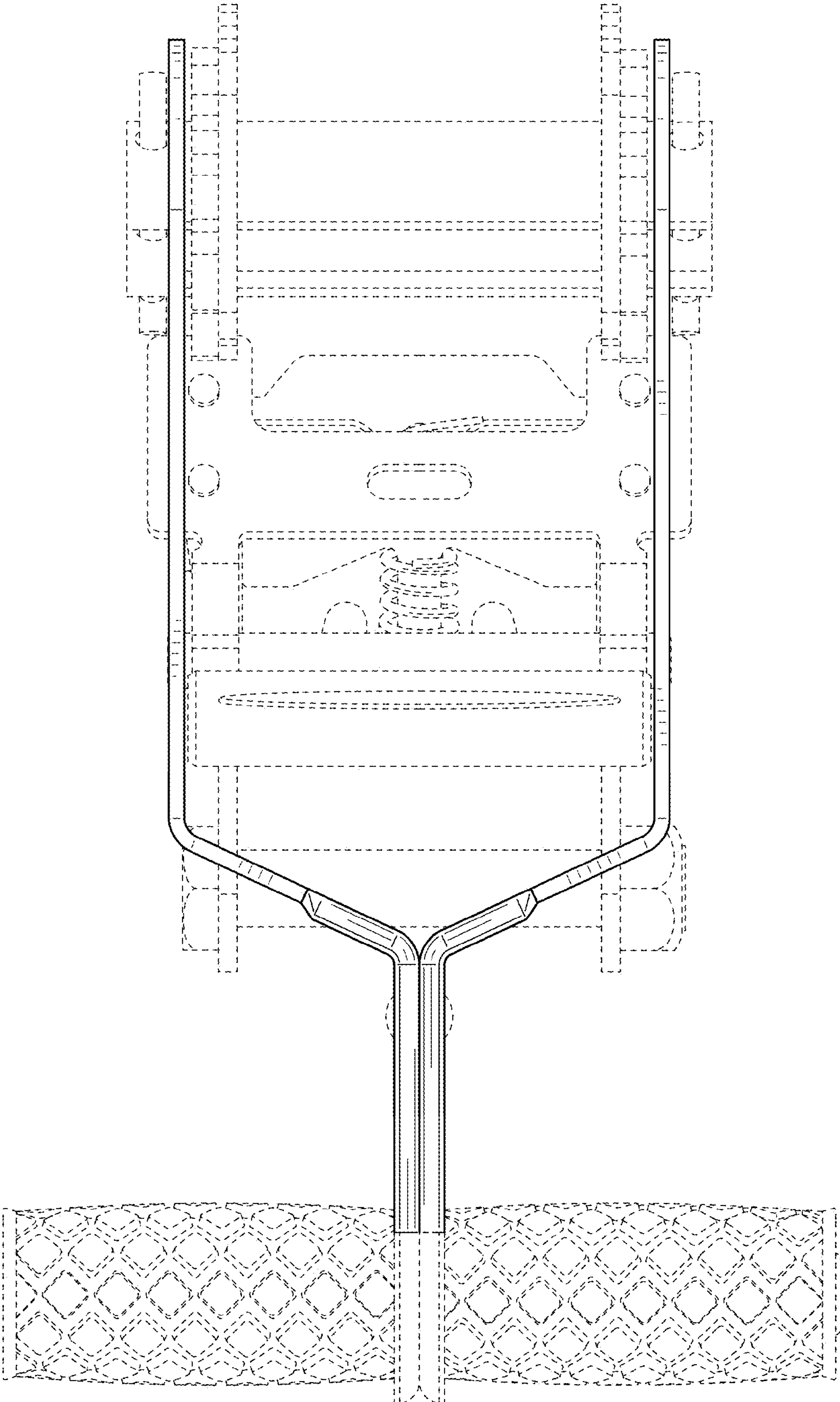


FIG. 6

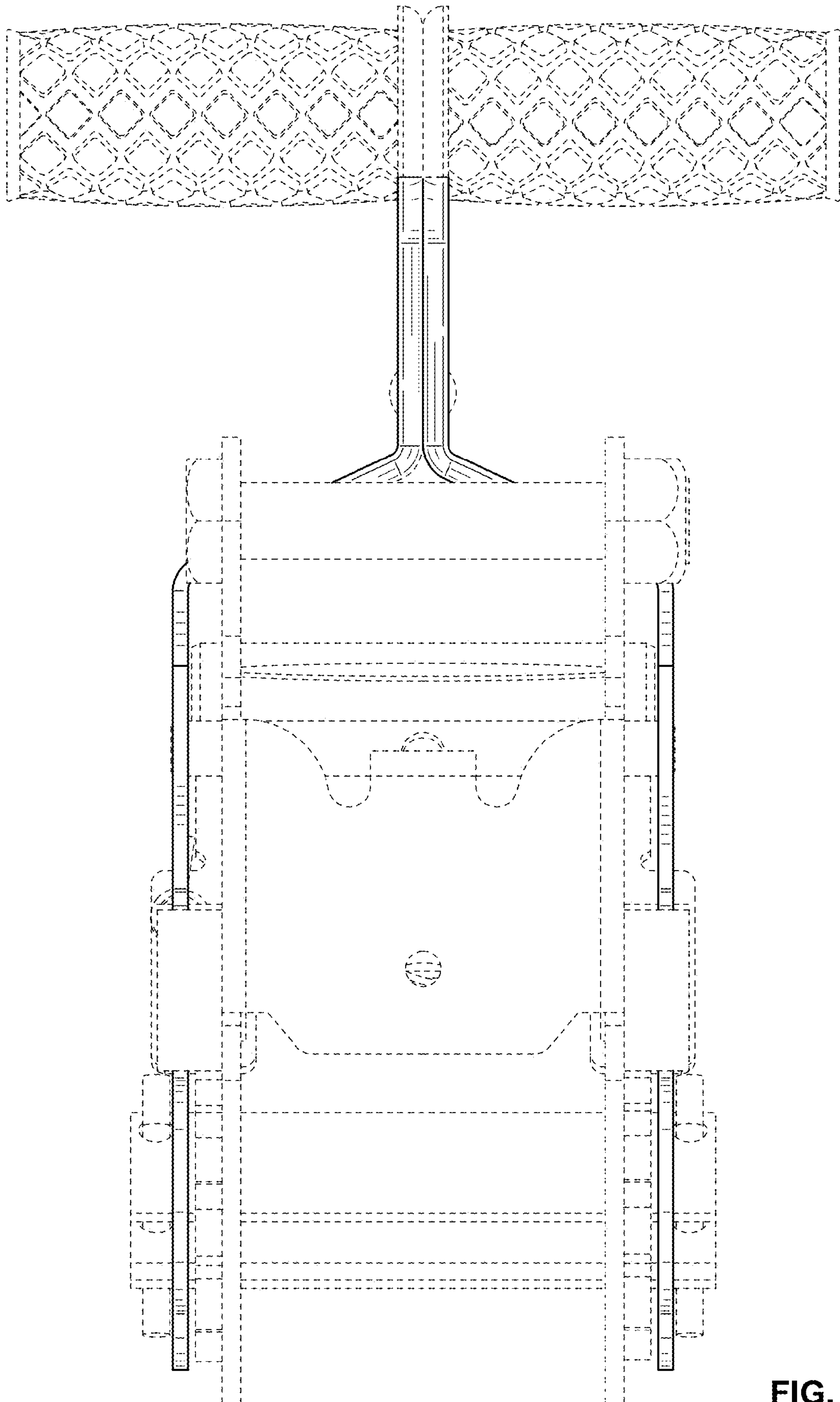


FIG. 7