



US00D876914S

(12) **United States Design Patent**
Mitterhumer et al.

(10) **Patent No.:** **US D876,914 S**
(45) **Date of Patent:** **** Mar. 3, 2020**

- (54) **WELDING TORCH GRIP**
- (71) Applicant: **Fronius International GmbH,**
Pettenbach (AT)
- (72) Inventors: **Walter Mitterhumer,** Pettenbach (AT);
Martin Frittajon, Pettenbach (AT)
- (73) Assignee: **Fronius International GmbH,**
Pettenbach (AT)
- (**) Term: **15 Years**
- (21) Appl. No.: **29/650,832**
- (22) Filed: **Jun. 11, 2018**

(30) **Foreign Application Priority Data**

Dec. 21, 2017 (EM) 004559482

(51) **LOC (12) Cl.** **08-05**

(52) **U.S. Cl.**
USPC **D8/30; D15/144.2**

(58) **Field of Classification Search**
USPC D8/30, 107; D15/144, 144.1, 144.2
CPC B23K 9/00; B23K 9/1087; B23K 9/0953;
B23K 9/124; B23K 9/325; B23K 9/287;
B23K 9/32; B23K 9/295
See application file for complete search history.

(56) **References Cited**

U.S. PATENT DOCUMENTS

- D343,629 S * 1/1994 Bode D15/144
- D350,884 S * 9/1994 Sperling D8/30
- 6,025,574 A * 2/2000 Colangelo, Jr. B23K 9/295
200/43.17
- D486,368 S * 2/2004 Jones D8/30
- 6,979,799 B2 * 12/2005 Centner B23K 9/10
200/321
- 6,998,575 B1 * 2/2006 Kensrue B23K 9/133
219/137.31
- D532,432 S * 11/2006 Owens D15/144

- D535,166 S * 1/2007 Kensrue D8/30
- D537,092 S * 2/2007 Owens D15/144
- D638,270 S * 5/2011 Flattinger D8/107
- D647,382 S * 10/2011 Flattinger D8/107
- D735,002 S * 7/2015 Bondy D8/30
- D771,727 S * 11/2016 Imi D15/144
- D806,770 S * 1/2018 Murphy D15/144.2
- D849,808 S * 5/2019 Assmann D15/144
- 2007/0164006 A1 * 7/2007 Burgstaller B23K 9/0953
219/130.01

(Continued)

Primary Examiner — Philip S Hyder

(74) *Attorney, Agent, or Firm* — Collard & Roe, P.C.

(57) **CLAIM**

The ornamental design for a welding torch grip, as shown and described.

DESCRIPTION

FIG. 1 is a top, right side and front perspective view of a first embodiment of a welding torch grip, showing our new design;

FIG. 2 is a top view thereof;

FIG. 3 is a bottom view thereof;

FIG. 4 is a left side view thereof;

FIG. 5 is a right side view thereof;

FIG. 6 is a front view thereof;

FIG. 7 is a rear view thereof;

FIG. 8 is a top, right side and front perspective view of a second embodiment of a welding torch grip, showing our new design;

FIG. 9 is a top view thereof;

FIG. 10 is a bottom view thereof;

FIG. 11 is a left side view thereof;

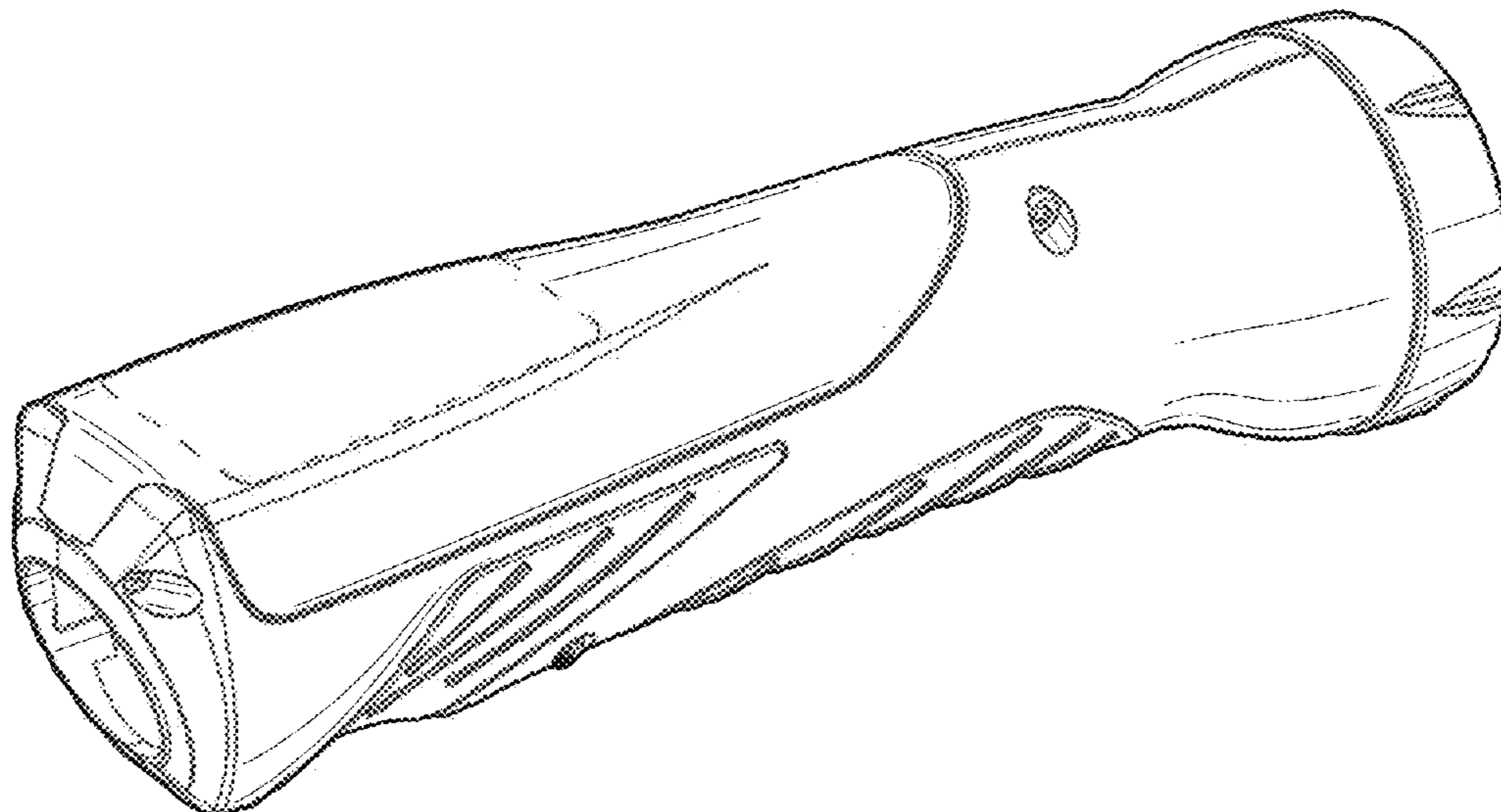
FIG. 12 is a right side view thereof;

FIG. 13 is a front view thereof; and,

FIG. 14 is a rear view thereof.

The areas shown in broken lines depict features of the welding torch grip that form no part of the claimed design.

1 Claim, 6 Drawing Sheets



(56)

References Cited

U.S. PATENT DOCUMENTS

2011/0073581 A1* 3/2011 Ma B23K 9/123
219/137.31

* cited by examiner

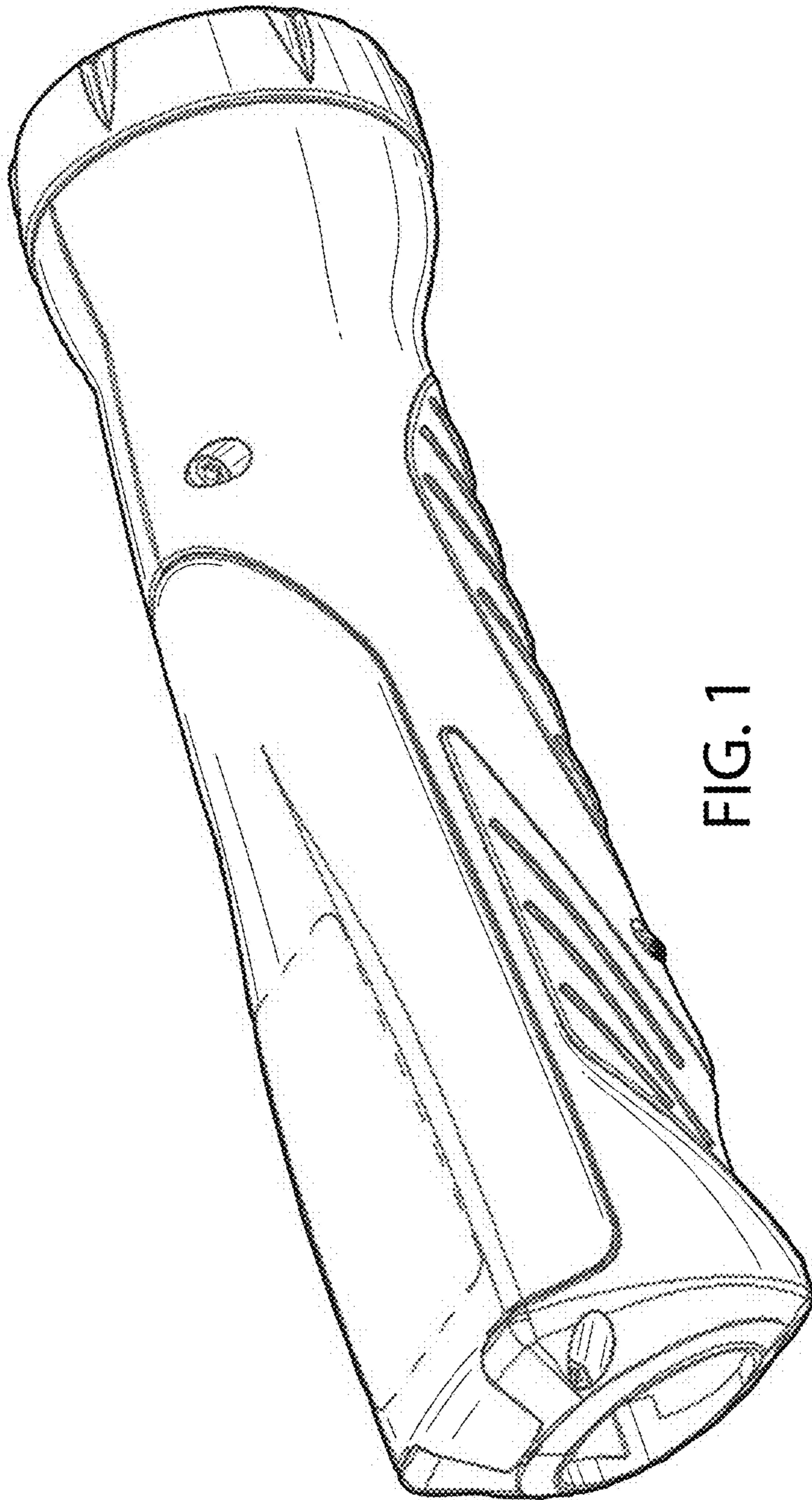


FIG. 1

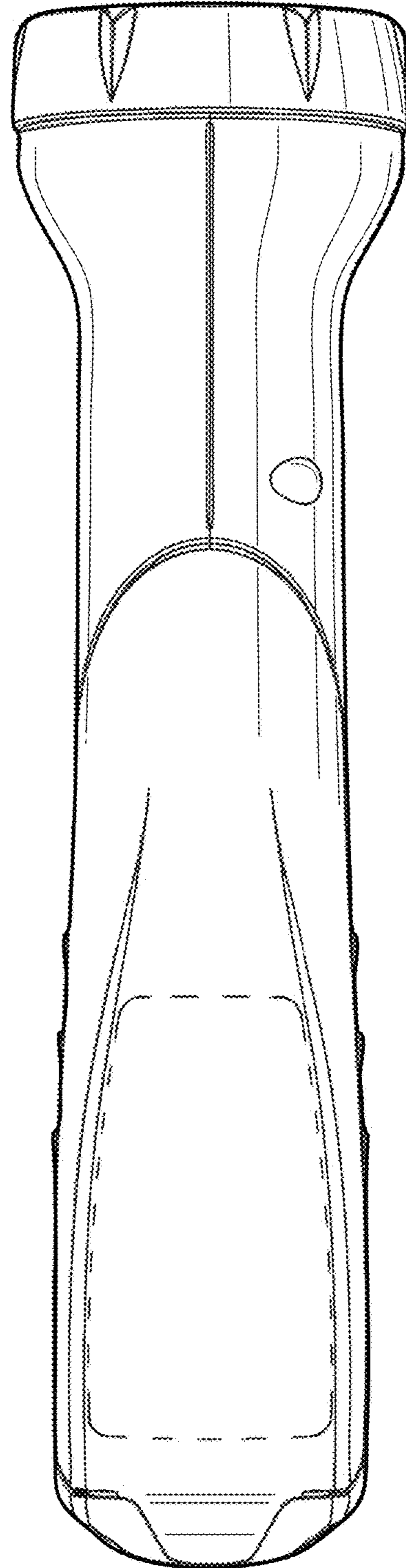


FIG. 2

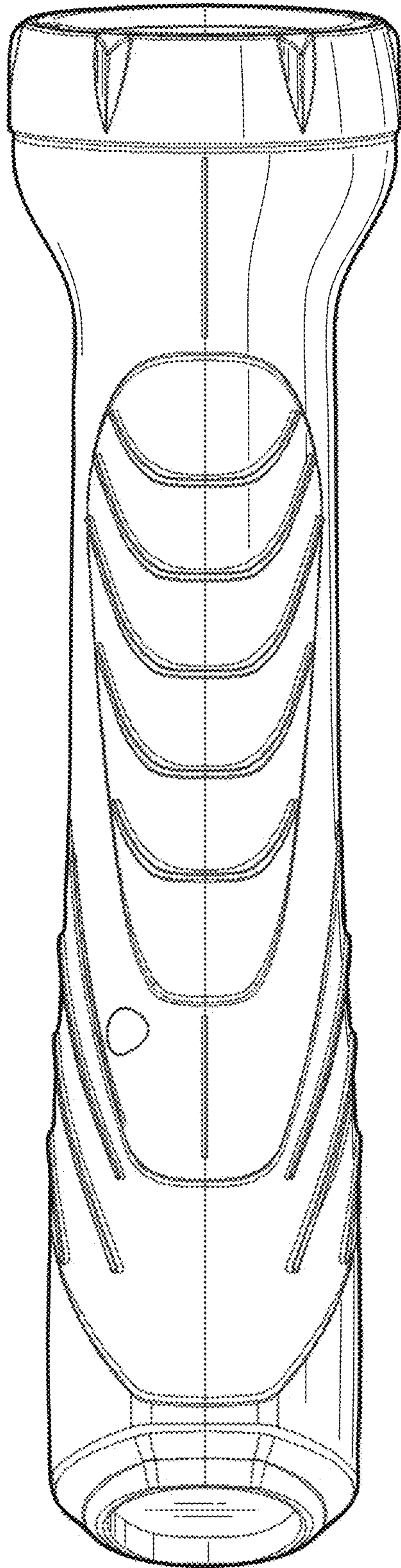


FIG. 3

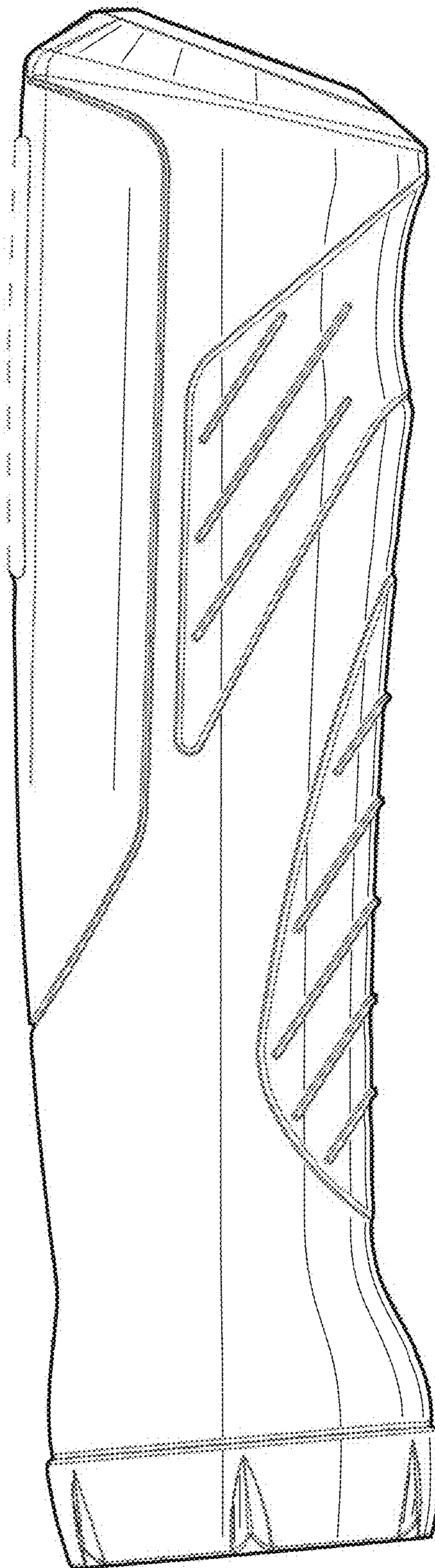


FIG. 4

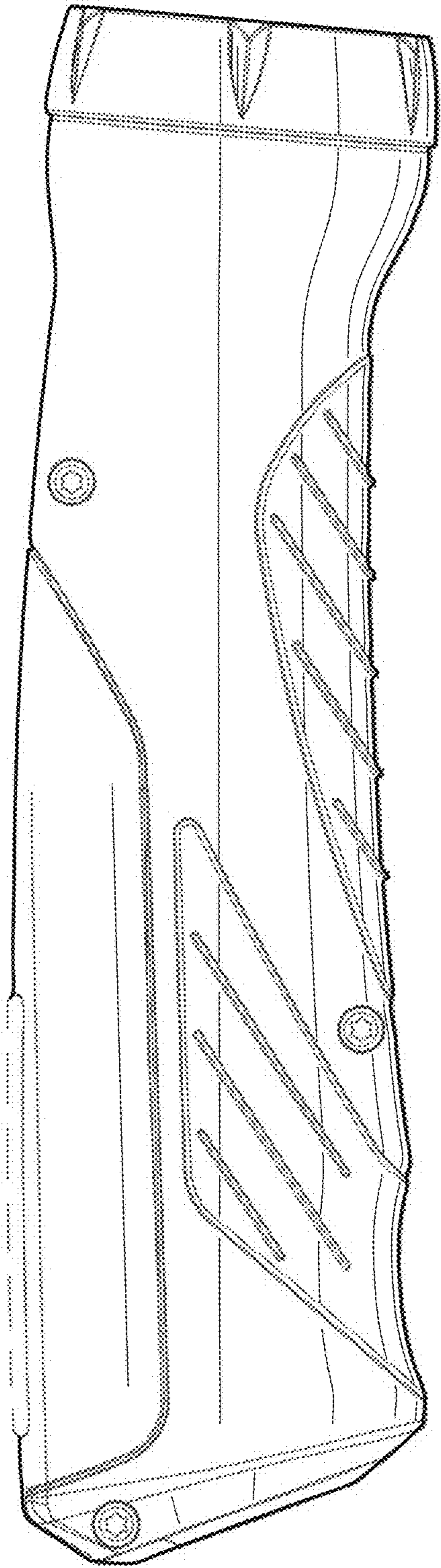


FIG. 5

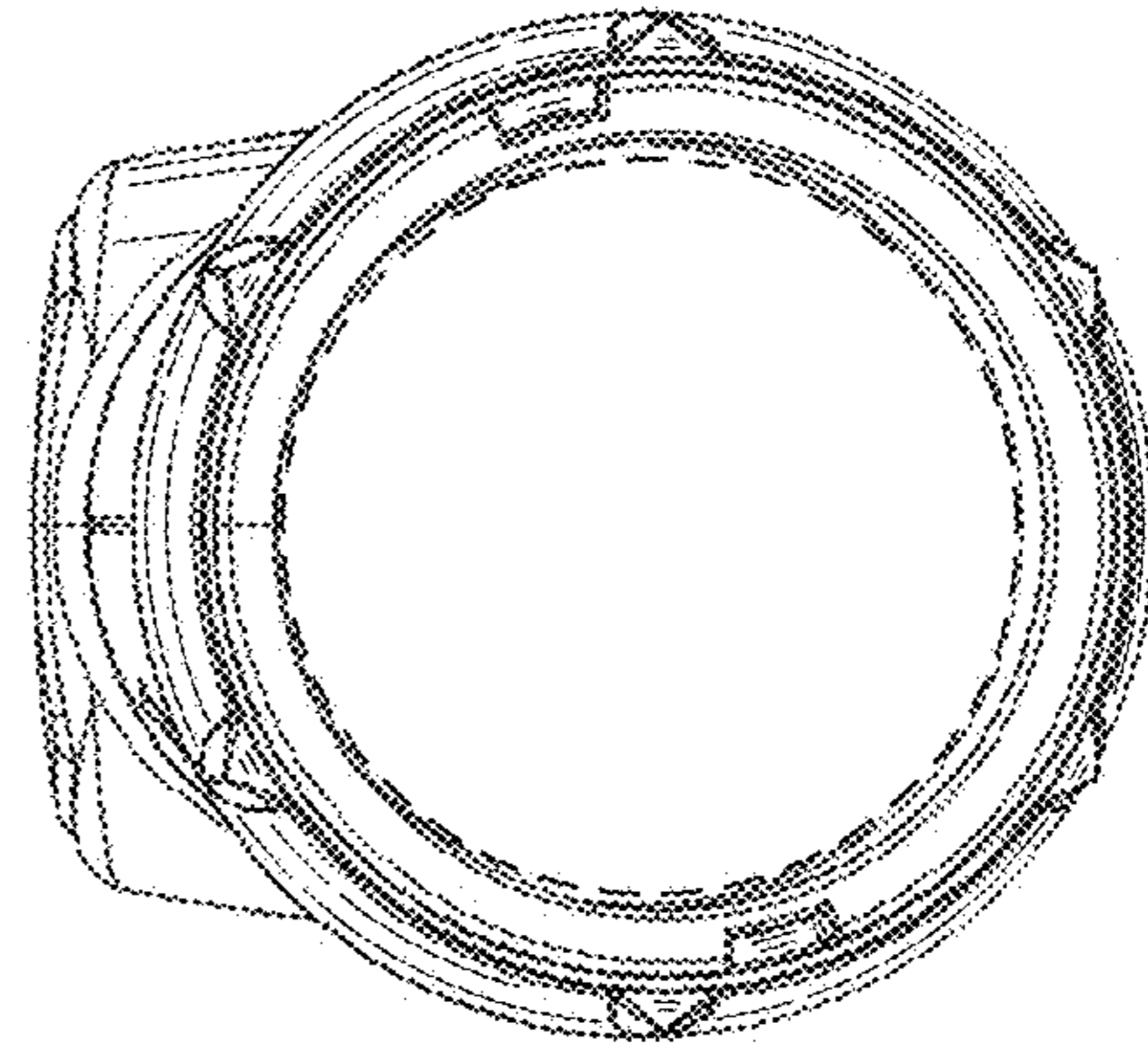


FIG. 7

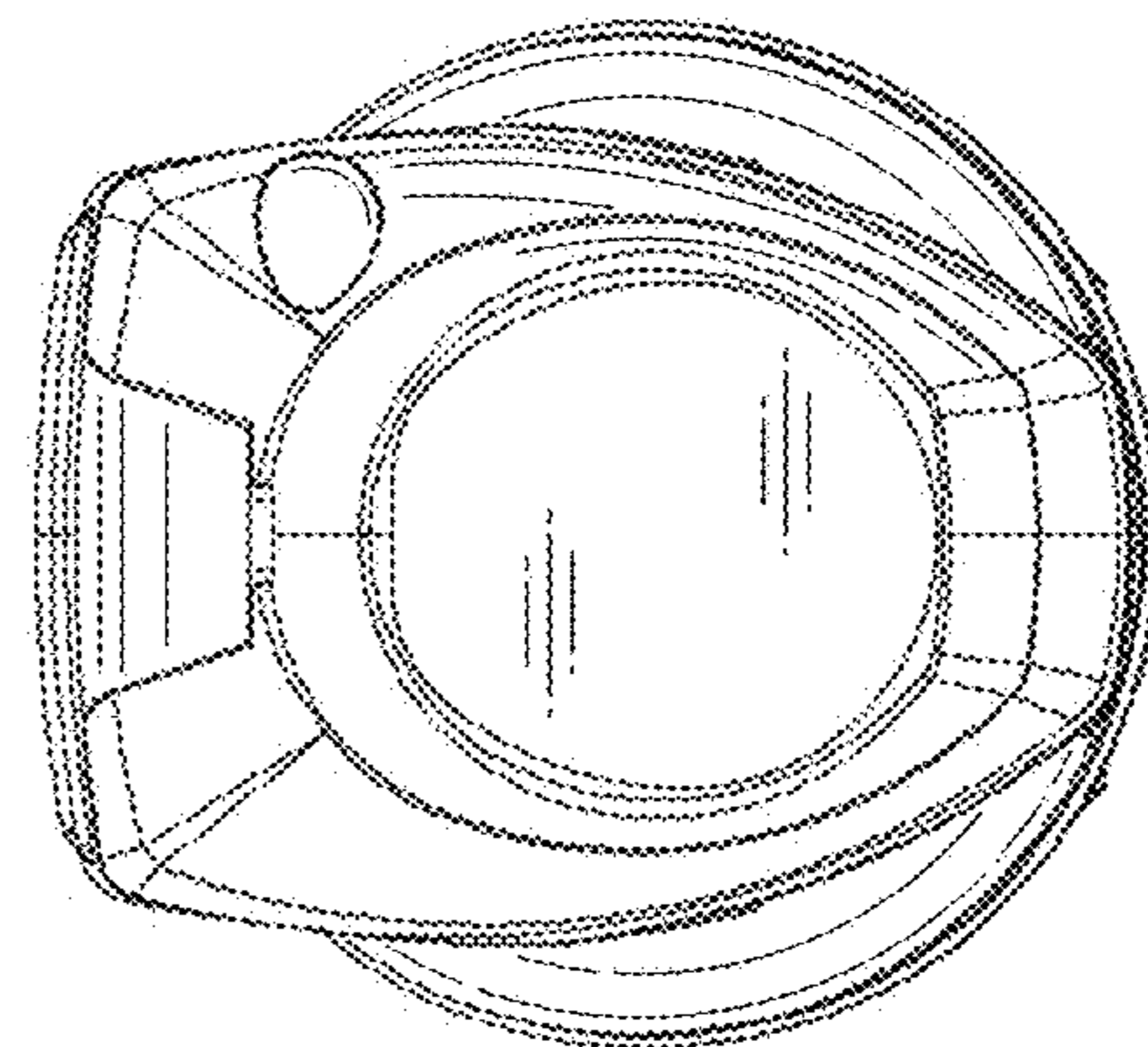


FIG. 6

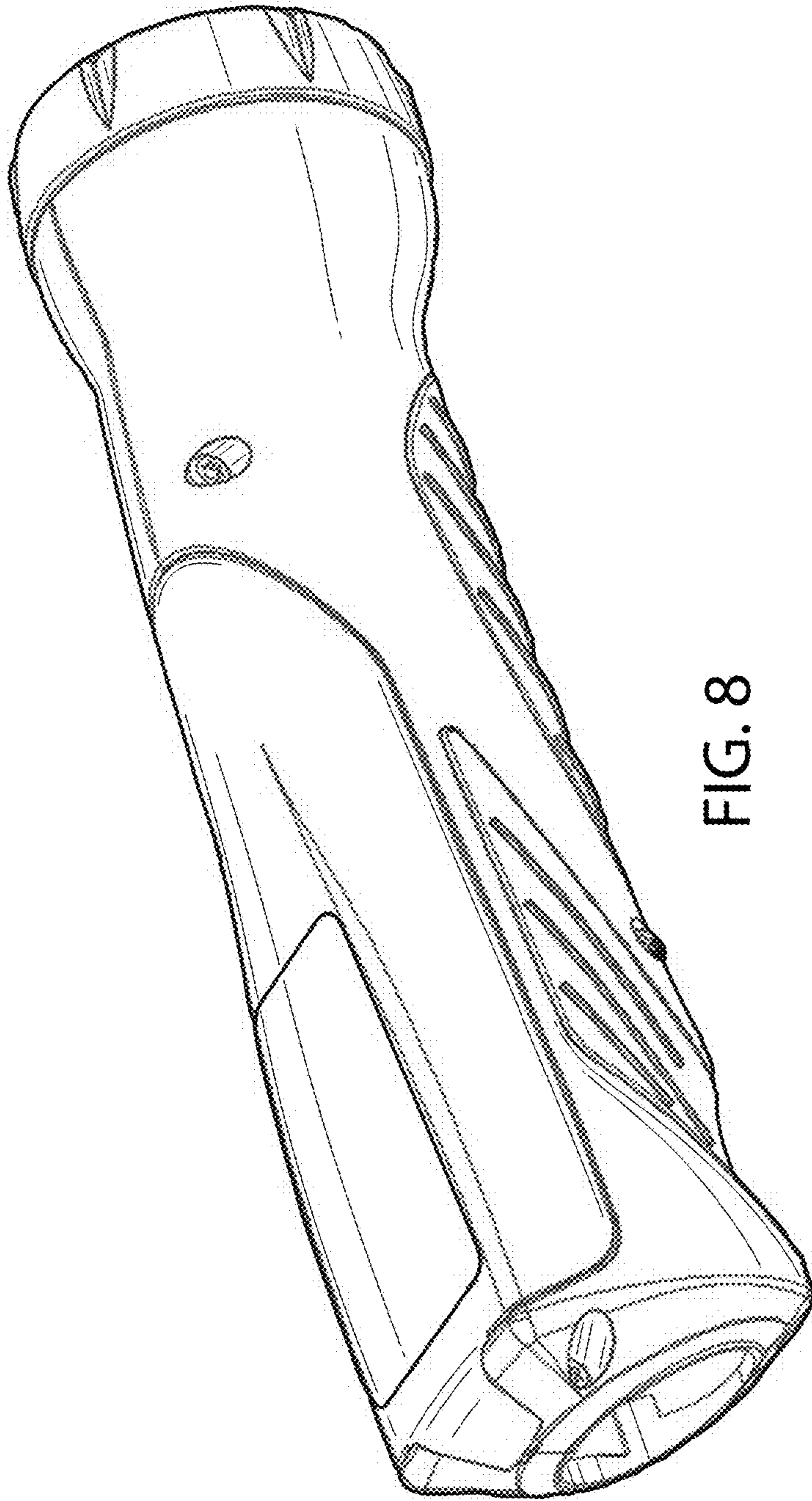


FIG. 8

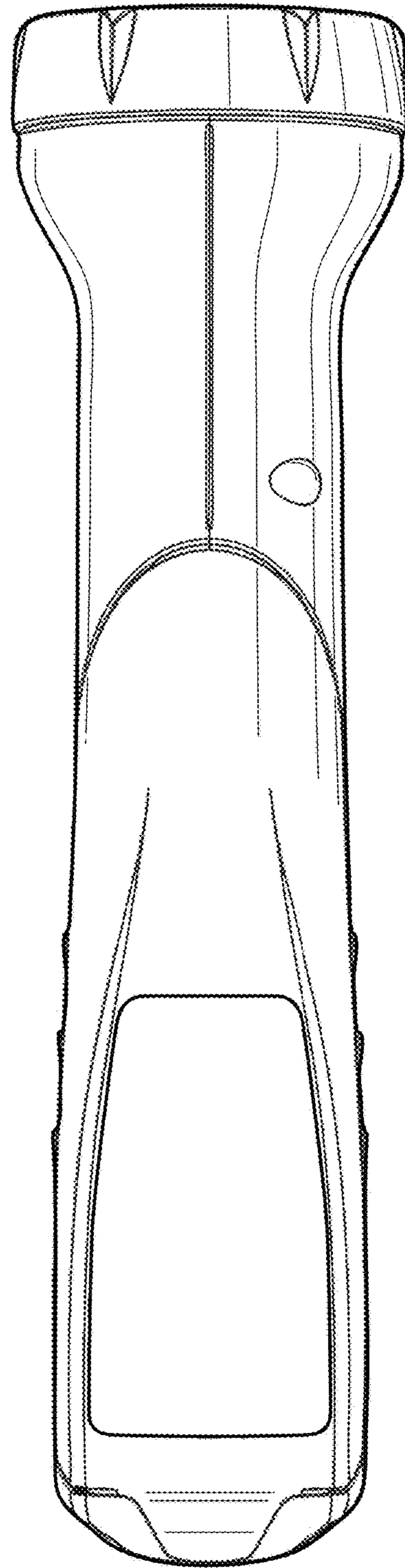


FIG. 9

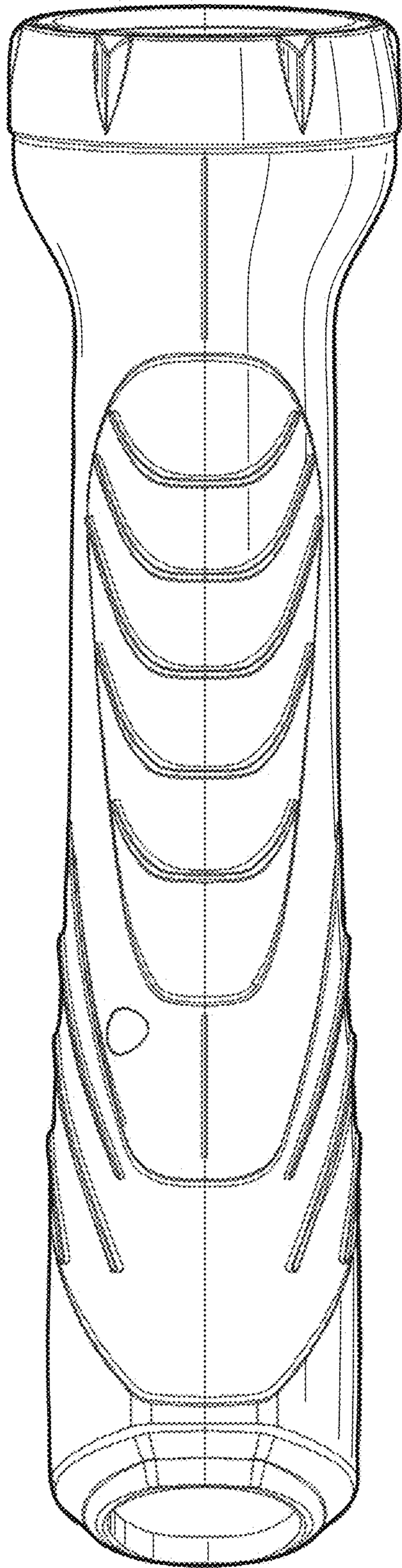


FIG. 10

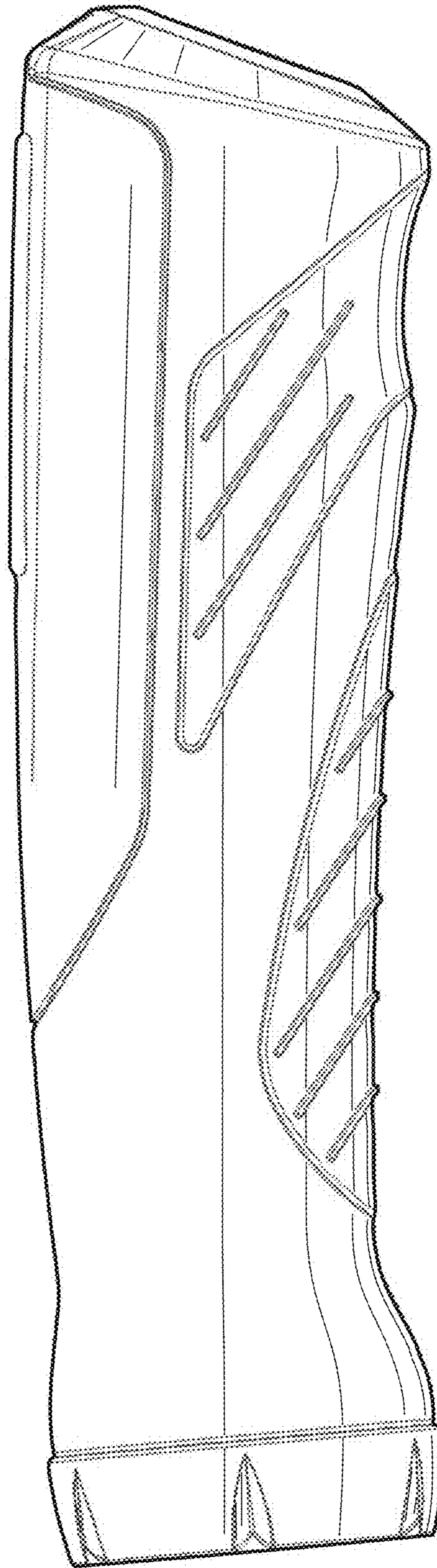


FIG. 11

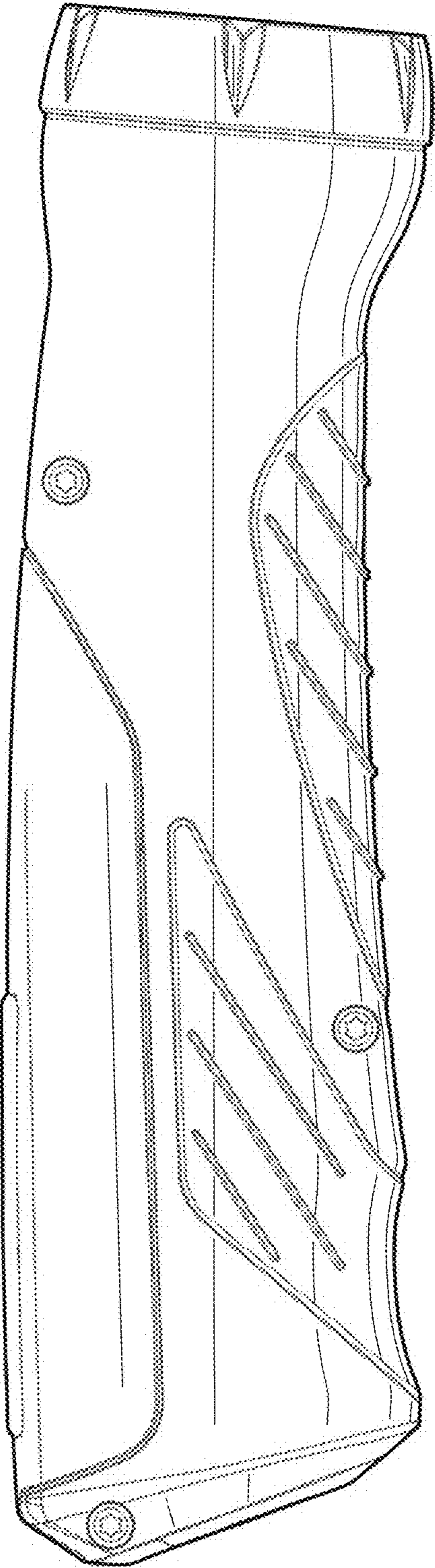


FIG. 12

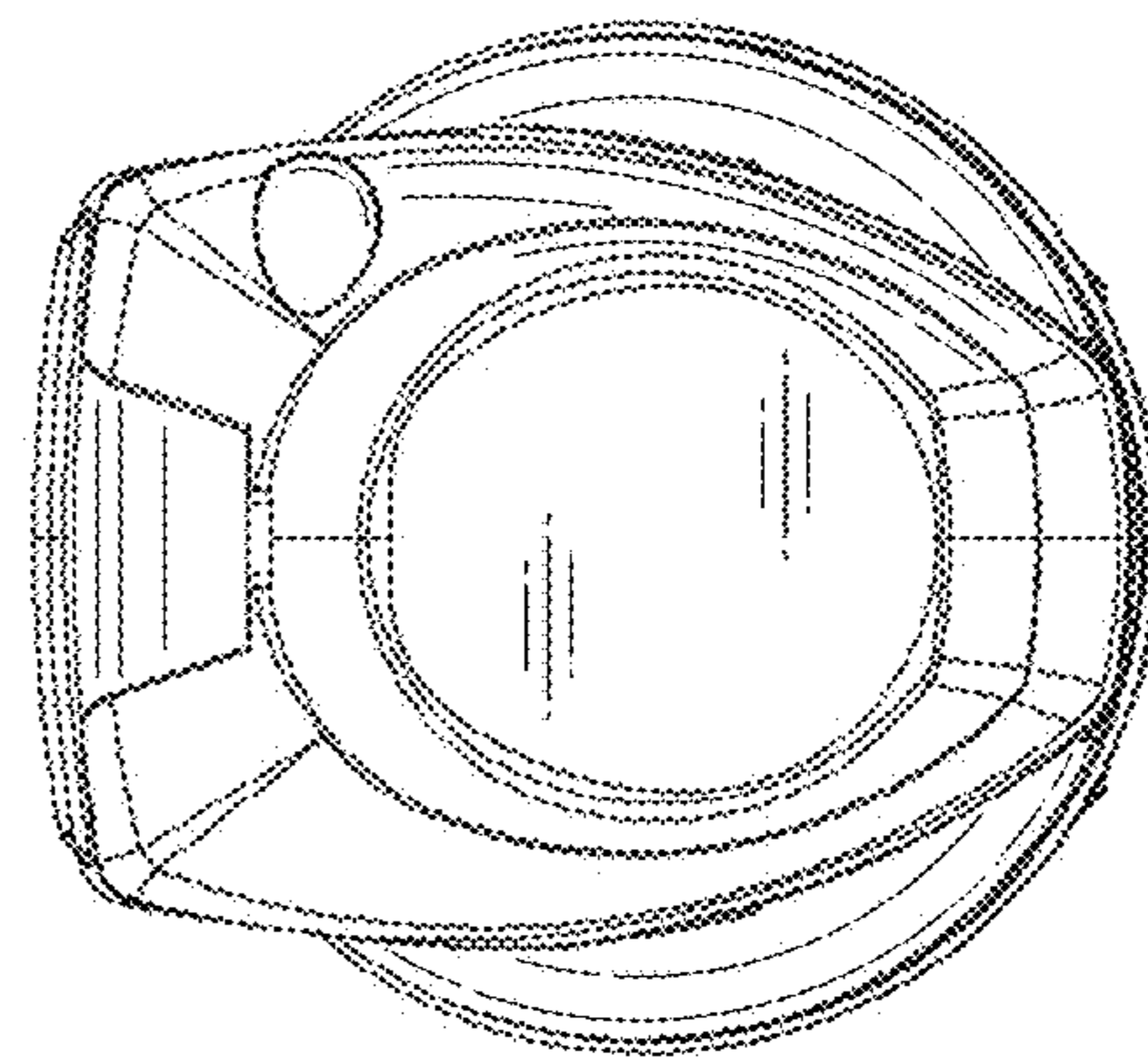


FIG. 13

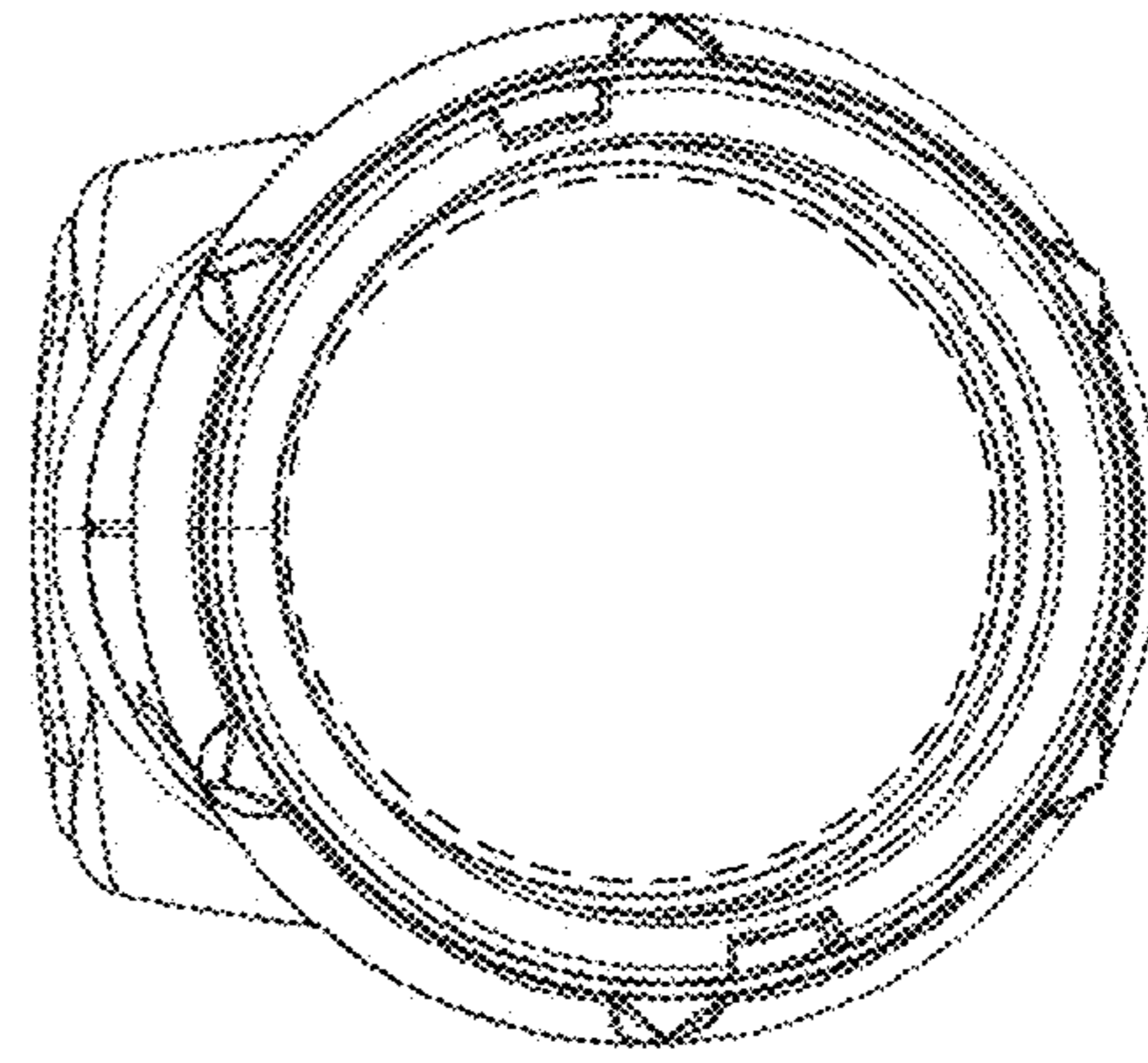


FIG. 14