



US00D876913S

(12) **United States Design Patent**  
**Le Drappier**

(10) **Patent No.:** **US D876,913 S**

(45) **Date of Patent:** **\*\* Mar. 3, 2020**

(54) **SOLDERING IRON**

(71) Applicant: **GUILBERT EXPRESS,**  
Fontenay-sous-Bois (FR)

(72) Inventor: **Christophe Le Drappier,** Pantin (FR)

(73) Assignee: **GUILBERT EXPRESS,**  
Fontenay-sous-Bois (FR)

(\*\*) Term: **15 Years**

(21) Appl. No.: **29/641,617**

(22) Filed: **Mar. 23, 2018**

(30) **Foreign Application Priority Data**

Nov. 3, 2017 (EM) ..... 004493351-0001

Nov. 3, 2017 (EM) ..... 004493351-0002

(51) **LOC (12) Cl.** ..... **08-05**

(52) **U.S. Cl.**  
USPC ..... **D8/30**

(58) **Field of Classification Search**  
USPC ..... D15/144, 144.1; D8/29.1, 29.2, 30, 68  
CPC ..... E01C 19/44; E01C 19/22  
See application file for complete search history.

(56) **References Cited**

**U.S. PATENT DOCUMENTS**

2,692,641 A \* 10/1954 Woods ..... E01C 19/44  
126/401

3,171,466 A \* 3/1965 Katchur, Jr. .... E01C 19/44  
126/271.2 R

4,176,657 A \* 12/1979 Eriksson ..... A63C 11/08  
126/271.2 R  
4,654,109 A \* 3/1987 Goss ..... E04D 15/04  
126/229  
4,658,802 A \* 4/1987 Schultz ..... E01C 23/14  
126/271.2 A  
4,881,894 A \* 11/1989 Chapin ..... F23D 14/28  
431/255  
5,353,782 A \* 10/1994 Morris ..... B29C 65/103  
126/271.2 A  
D555,446 S \* 11/2007 Picaza Ibarrodo ..... D15/144  
2010/0237058 A1 \* 9/2010 Evans ..... B23K 3/02  
219/229

\* cited by examiner

*Primary Examiner* — Philip S Hyder

(74) *Attorney, Agent, or Firm* — Sughrue Mion, PLLC

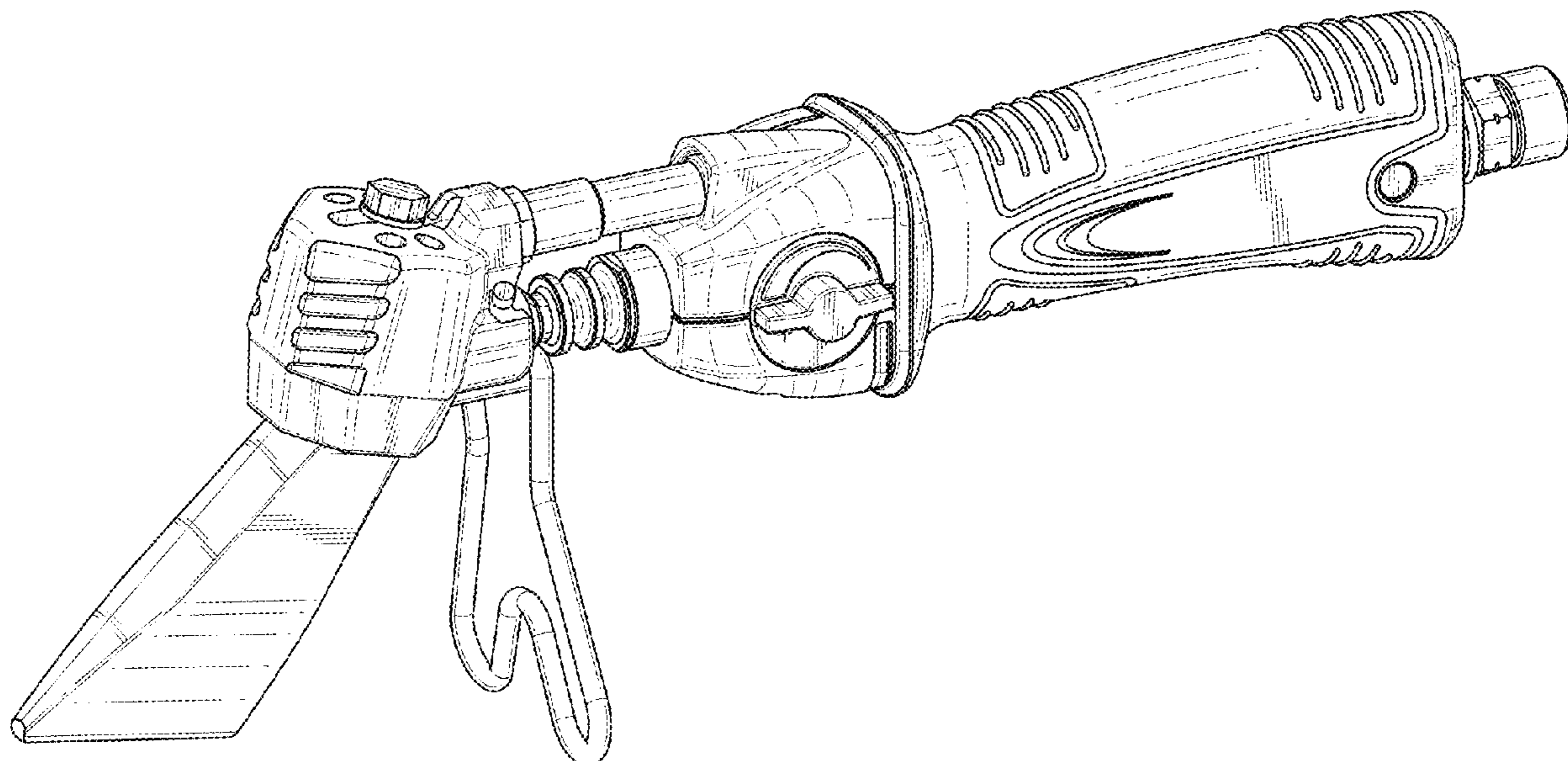
(57) **CLAIM**

The ornamental design for a soldering iron, as shown and described.

**DESCRIPTION**

FIG. 1 is a perspective view of the soldering iron;  
FIG. 2 is a front view thereof;  
FIG. 3 is a rear view thereof;  
FIG. 4 is a right side view thereof;  
FIG. 5 is a left side view thereof;  
FIG. 6 is a top view thereof; and,  
FIG. 7 is a bottom view thereof.

**1 Claim, 7 Drawing Sheets**



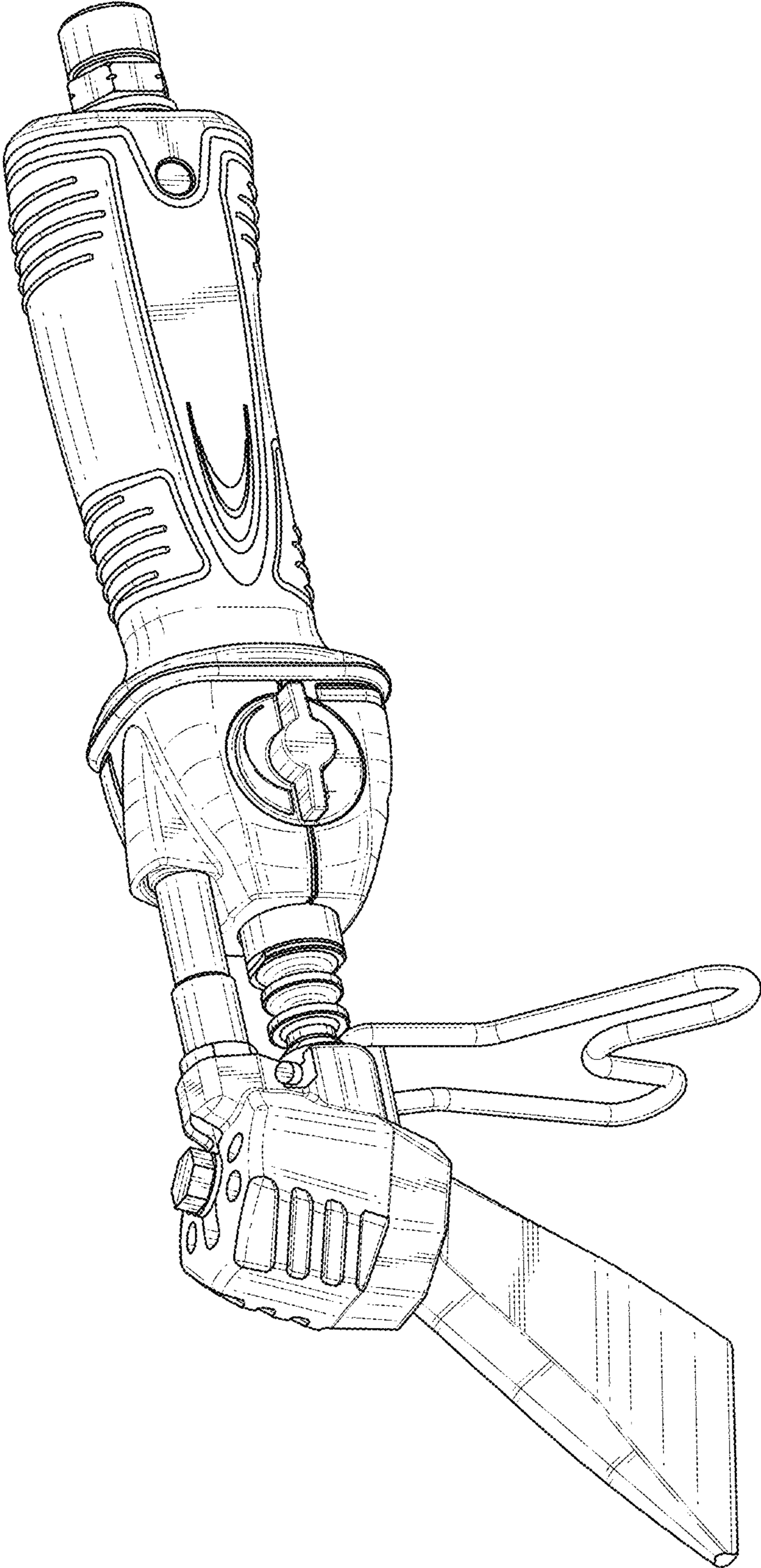


FIG. 1

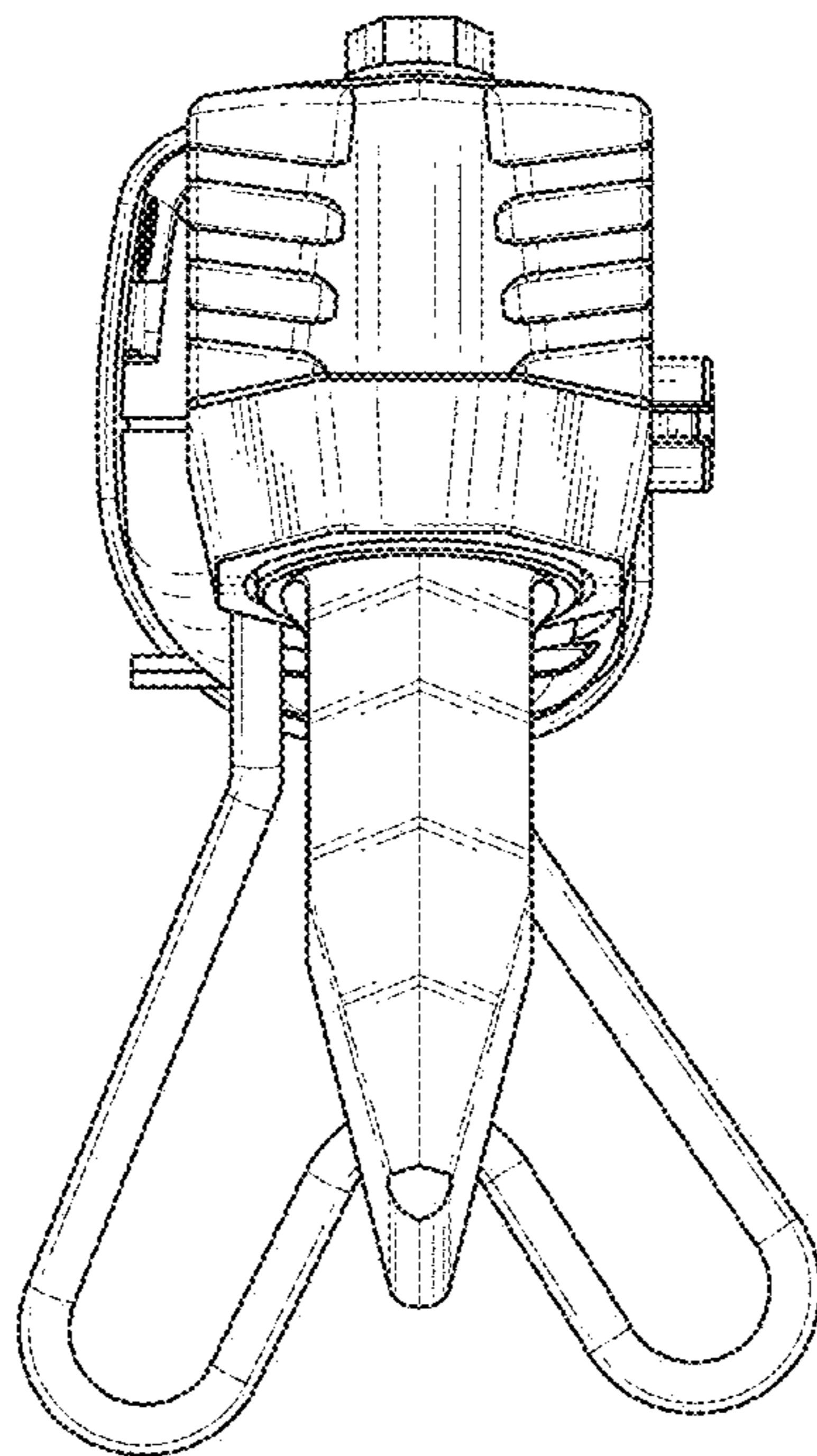


FIG. 2

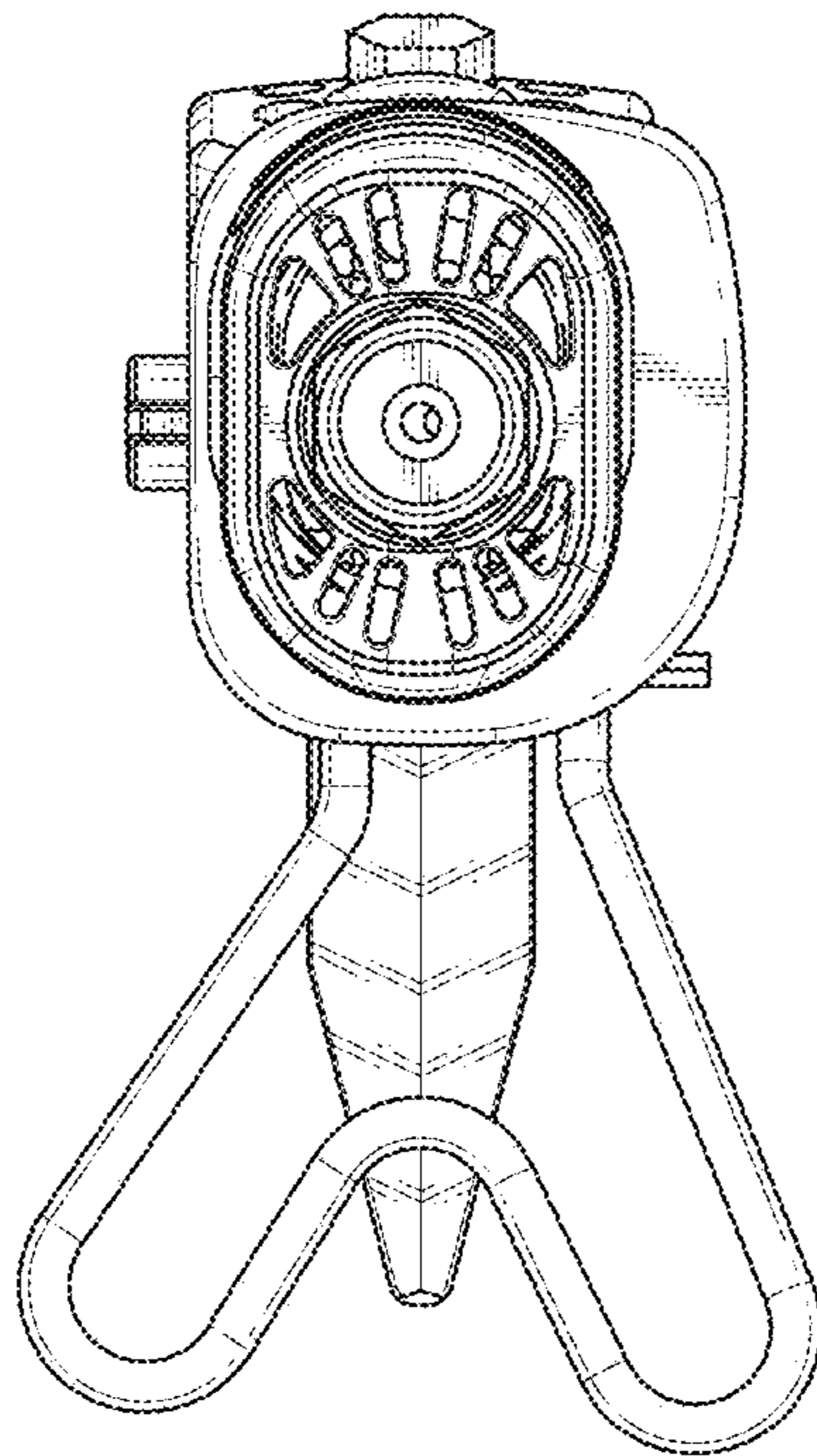


FIG. 3

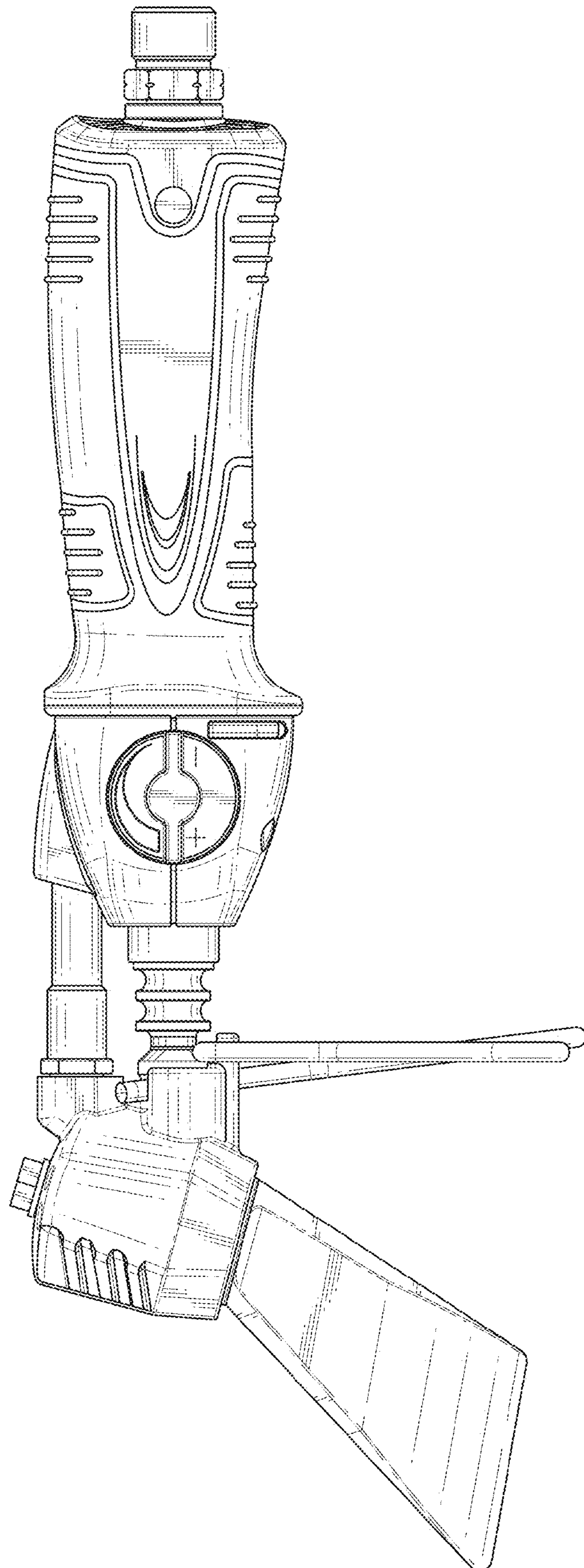


FIG. 4

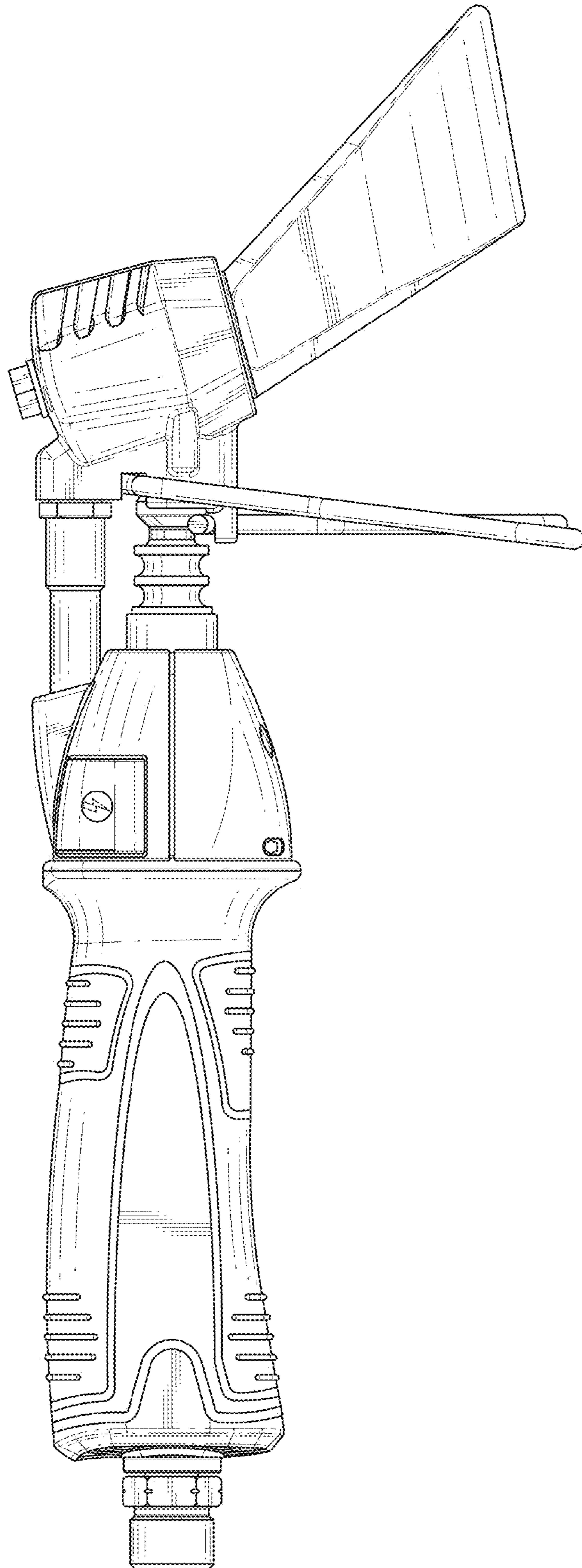


FIG. 5

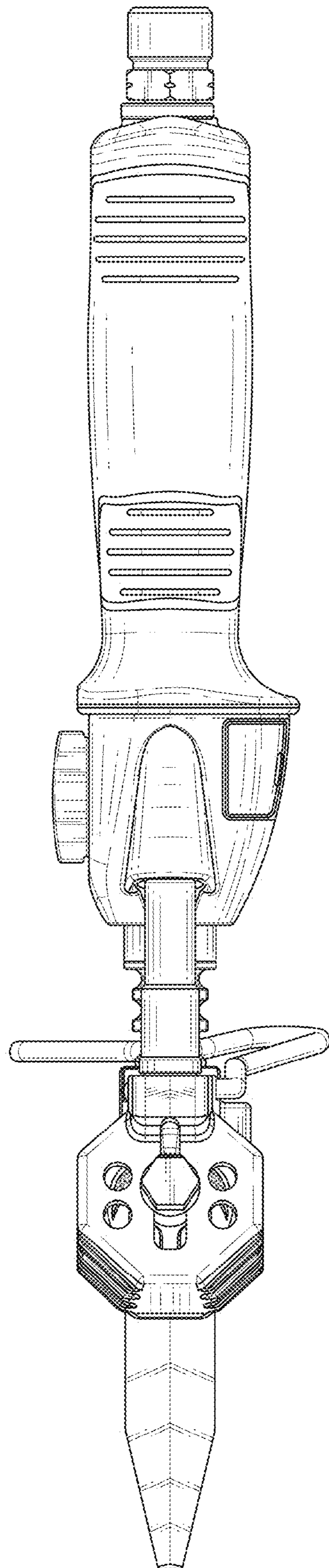


FIG. 6

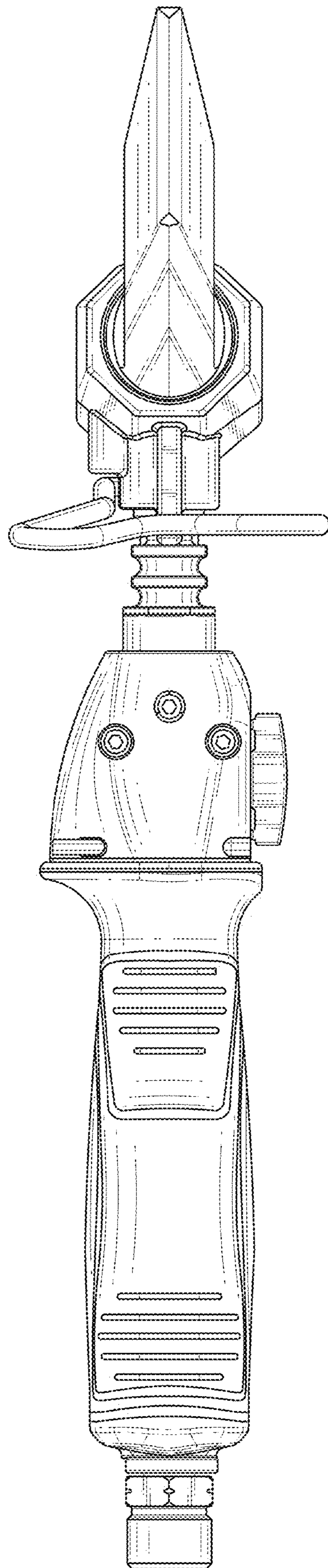


FIG. 7