



US00D876912S

(12) **United States Design Patent**  
**Heine et al.**

(10) **Patent No.:** **US D876,912 S**  
(45) **Date of Patent:** **\*\* Mar. 3, 2020**

(54) **CUTTING TOOL FOR TREE PRUNING**

(71) Applicant: **Fiskars Finland Oy Ab**, Helsinki (FI)

(72) Inventors: **Mikko Heine**, Helsinki (FI); **Kari Kunnas**, Helsinki (FI); **Sami Lyytikäinen**, Helsinki (FI); **Petteri Masalin**, Helsinki (FI)

(73) Assignee: **Fiskars Finland Oy Ab**, Helsinki (FI)

(\*\*) Term: **15 Years**

(21) Appl. No.: **29/705,195**

(22) Filed: **Sep. 10, 2019**

D329,796 S	9/1992	Olson et al.	
D367,416 S	2/1996	Gustafson et al.	
D379,422 S	5/1997	Yates et al.	
5,950,315 A *	9/1999	Linden .....	A01G 3/0255 30/249
D429,130 S	8/2000	Fallandy	
D441,622 S *	5/2001	van den Hout .....	D8/5
D464,542 S *	10/2002	Clivio .....	D8/5
6,748,663 B2	6/2004	Linden	
D494,039 S	8/2004	Tsai	
D496,572 S *	9/2004	Lammers .....	D8/61
D519,821 S	5/2006	Tsai	
D551,530 S	9/2007	Hirsch	
D570,659 S	6/2008	Lin	
D592,482 S	5/2009	Gregory	
7,540,093 B1 *	6/2009	Yeh .....	A01G 3/065 30/244
D599,172 S	9/2009	Wang et al.	
D599,626 S	9/2009	Wang et al.	

(Continued)

**Related U.S. Application Data**

(62) Division of application No. 29/602,891, filed on May 4, 2017.

(51) **LOC (12) Cl.** ..... **08-01**

(52) **U.S. Cl.**  
USPC ..... **D8/5**

(58) **Field of Classification Search**  
USPC ..... D8/1, 4, 6, 7, 51, 52, 5  
CPC ..... A01G 3/0255; A01G 3/02; A01G 3/021;  
A01G 3/0475; A01G 3/025; B26B 15/00  
See application file for complete search history.

(56) **References Cited**

**U.S. PATENT DOCUMENTS**

875,159 A	12/1907	Crow	
967,502 A	8/1910	Cooper	
1,557,853 A	10/1925	Lipscomb	
1,697,749 A	1/1929	Billings	
2,795,034 A	6/1957	Forgette	
D292,167 S *	10/1987	Le Gal .....	D8/5
D295,017 S	4/1988	Evenson	
D307,232 S *	4/1990	Fushiya .....	D8/7
D321,816 S *	11/1991	Fushiya .....	D8/7

*Primary Examiner* — Sandra S Snapp

*Assistant Examiner* — Ieisha N Price

(74) *Attorney, Agent, or Firm* — Leason Ellis LLP

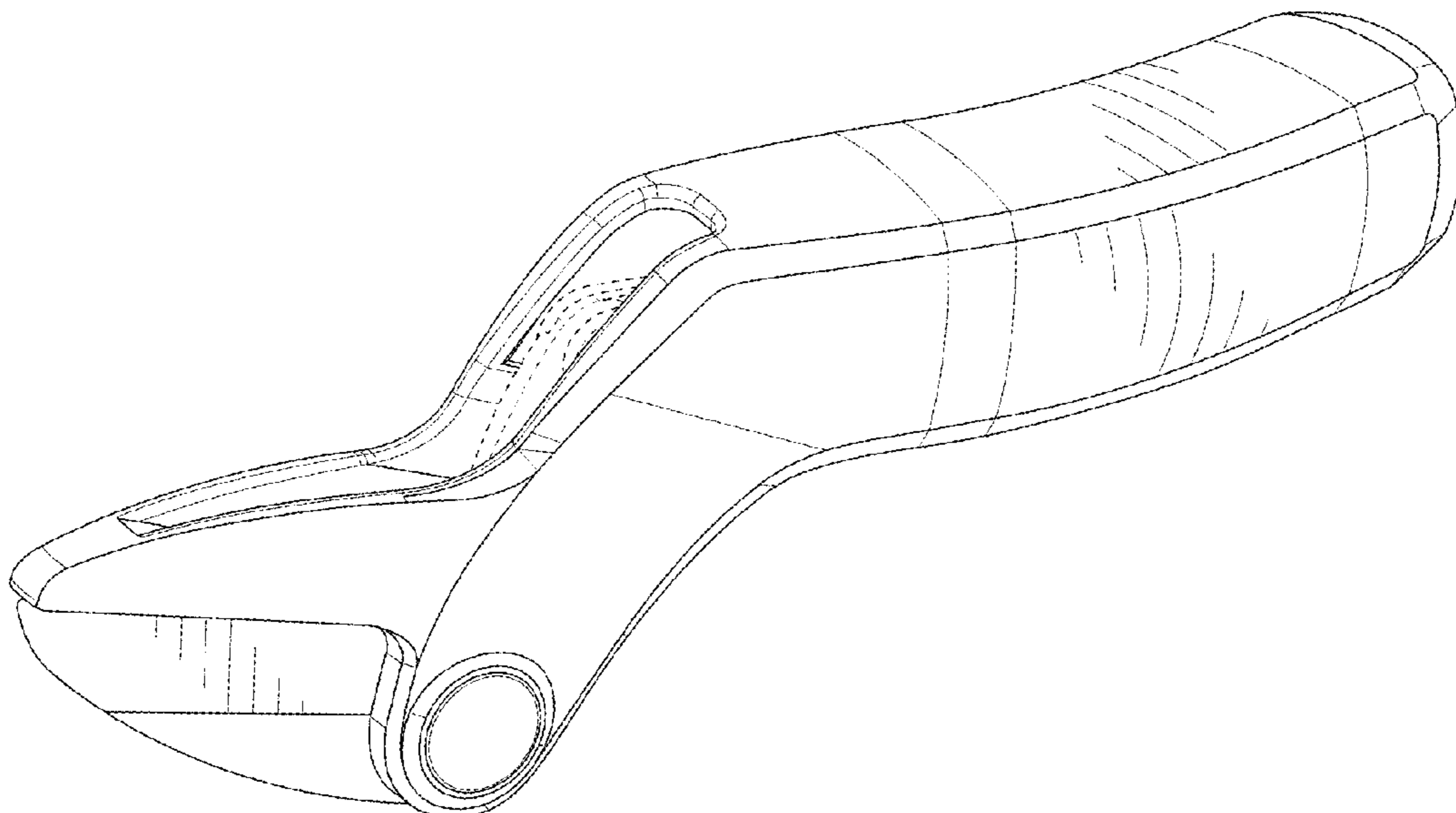
(57) **CLAIM**

We claim the ornamental design for a cutting tool for tree pruning, as shown and described.

**DESCRIPTION**

FIG. 1 is a top perspective view of a cutting tool for tree pruning showing our new design; FIG. 2 is front view thereof; FIG. 3 is a rear view thereof; FIG. 4 is a left side view thereof; FIG. 5 is a right side view thereof; FIG. 6 is a top view thereof; and, FIG. 7 is a bottom view thereof. The broken lines in the drawings illustrate portions of the cutting tool for tree pruning and form no part of the claimed design.

**1 Claim, 4 Drawing Sheets**



(56)

**References Cited**

## U.S. PATENT DOCUMENTS

D602,315	S *	10/2009	Butcher	.....	D8/5
D630,927	S	1/2011	Huang		
D632,858	S	2/2011	Sgroi et al.		
D636,956	S	4/2011	Sgroi et al.		
D655,815	S	3/2012	Miller et al.		
D743,770	S	11/2015	Hsieh		
D754,517	S	4/2016	Henderson		
D773,276	S	12/2016	Ou		
9,872,591	B2	1/2018	Casavan		
D848,229	S *	5/2019	Heine	.....	D8/5
2004/0194320	A1 *	10/2004	Hsieh	.....	A01G 3/0255 30/250
2006/0225289	A1	10/2006	Glodowski		
2010/0186559	A1	7/2010	Pell		
2010/0199502	A1 *	8/2010	Linden	.....	A01G 3/0255 30/249
2010/0299936	A1 *	12/2010	Chen	.....	A01G 3/08 30/199
2011/0107606	A1 *	5/2011	Shan	.....	A01G 3/0255 30/249
2011/0173820	A1 *	7/2011	Pelleng	.....	A01G 3/037 30/381
2011/0219629	A1 *	9/2011	Wu	.....	A01G 3/0255 30/249
2011/0258859	A1 *	10/2011	Schofield	.....	A01G 3/037 30/228
2011/0271532	A1 *	11/2011	Wu	.....	A01G 3/0255 30/249
2012/0167396	A1 *	7/2012	Wu	.....	A01G 3/0255 30/249
2012/0167397	A1 *	7/2012	Huang	.....	A01G 3/0255 30/249

\* cited by examiner

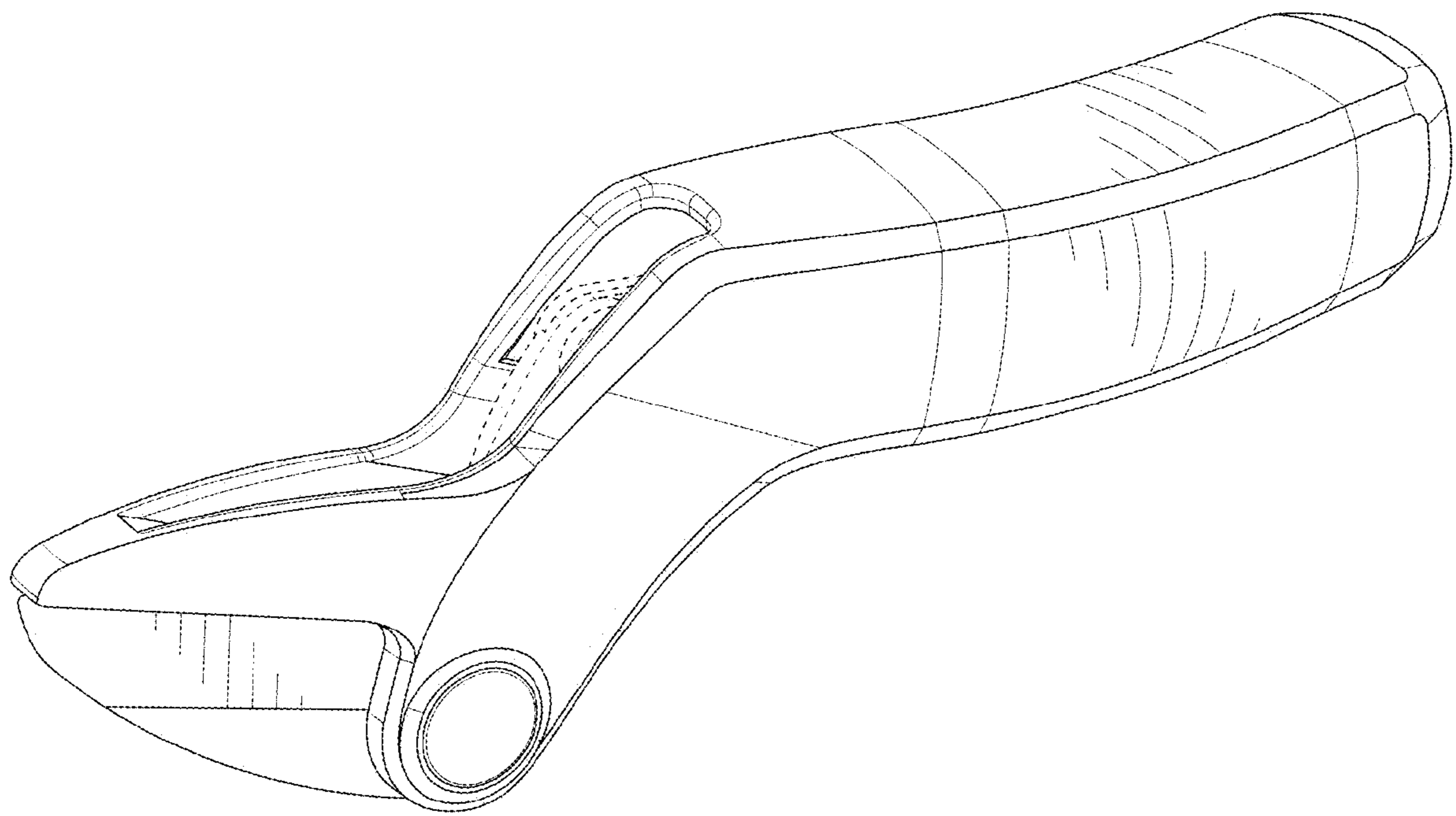


FIG. 1

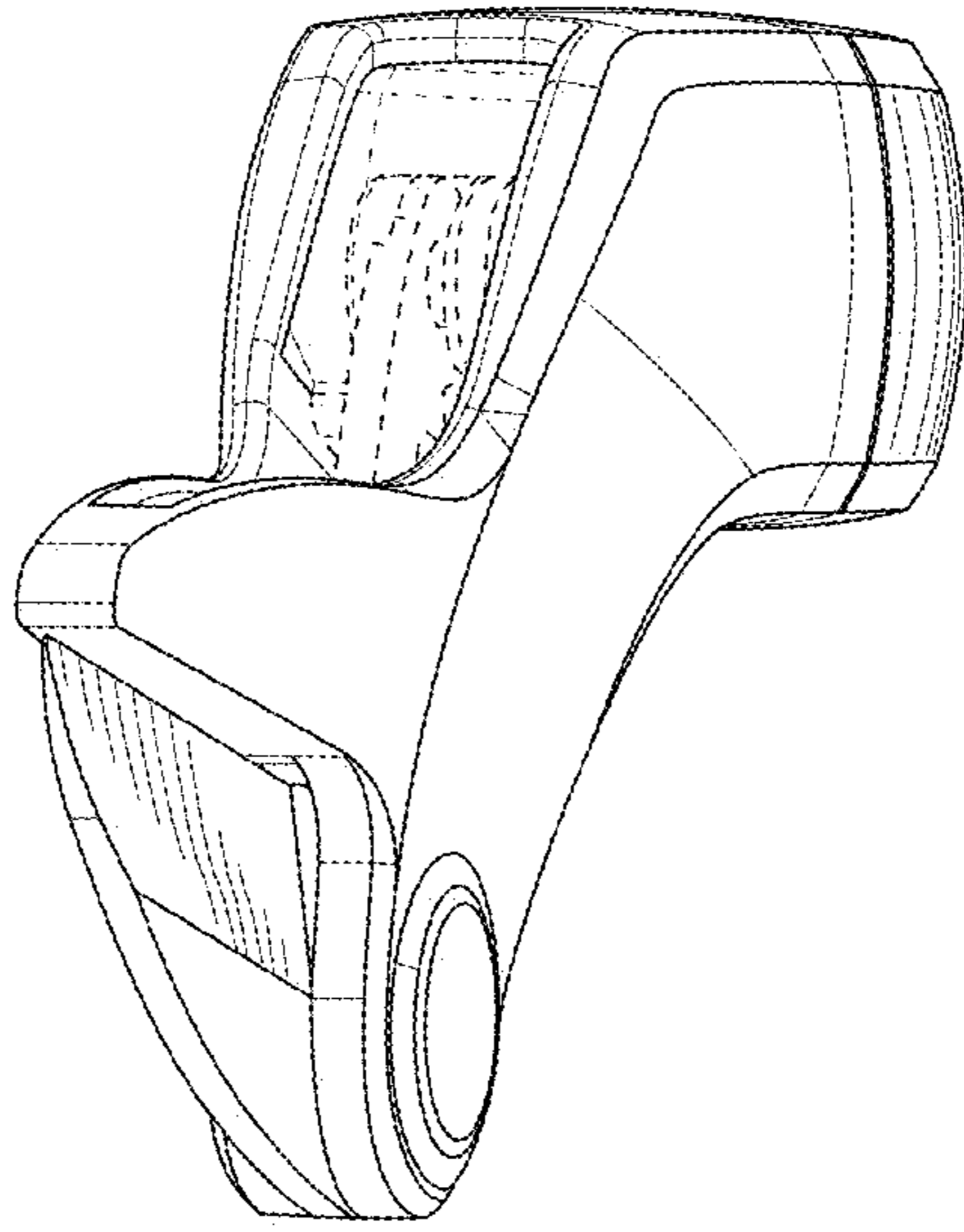


FIG. 2

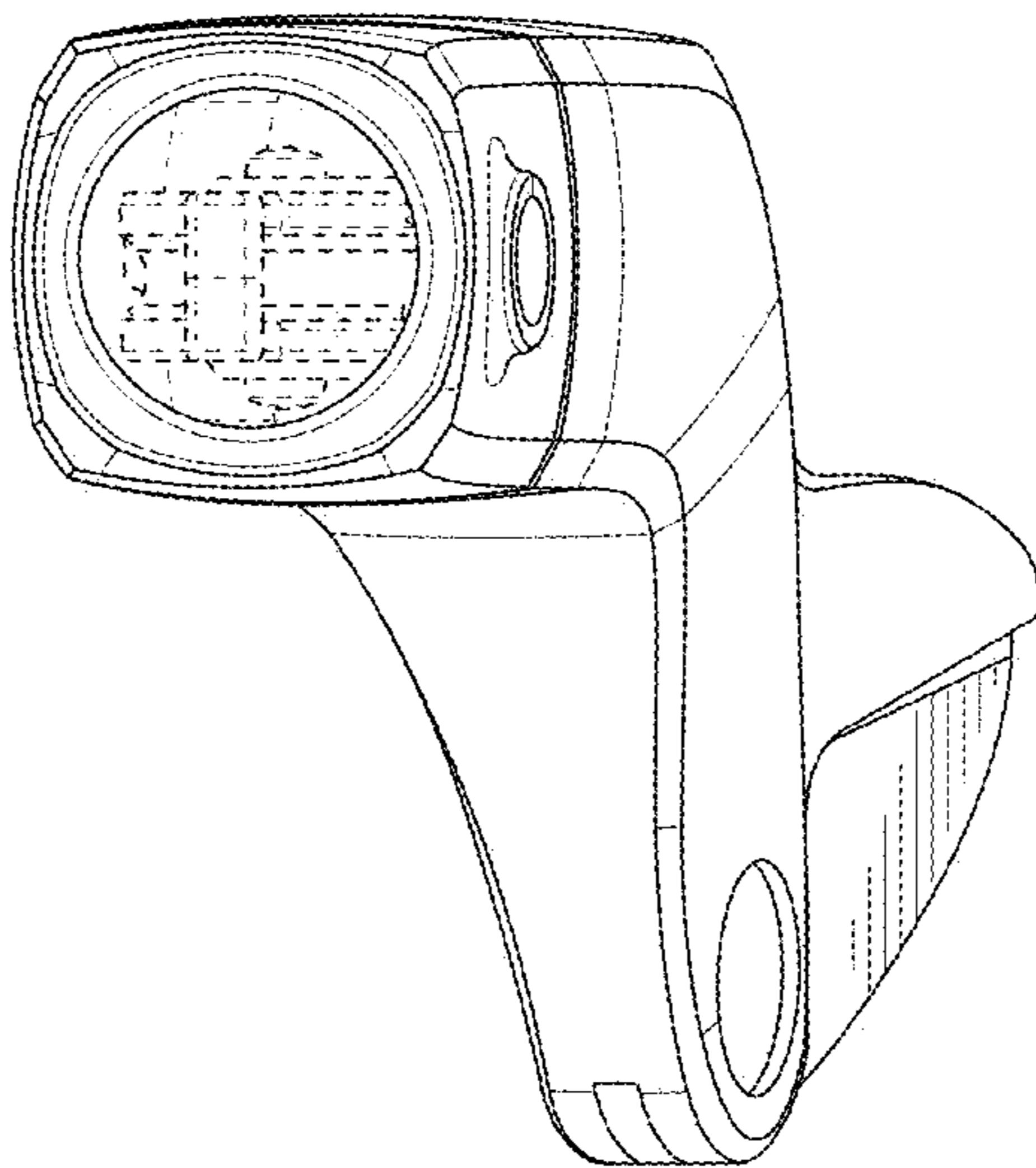


FIG. 3

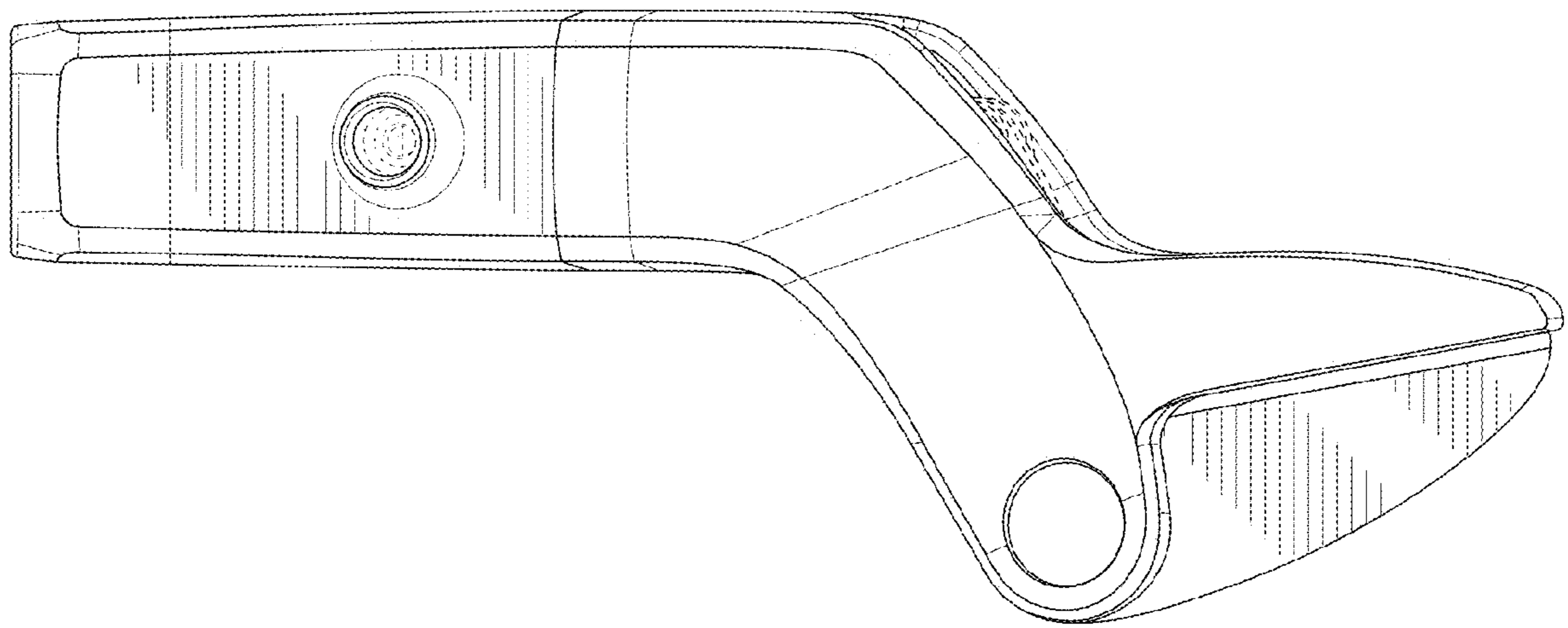


FIG. 4

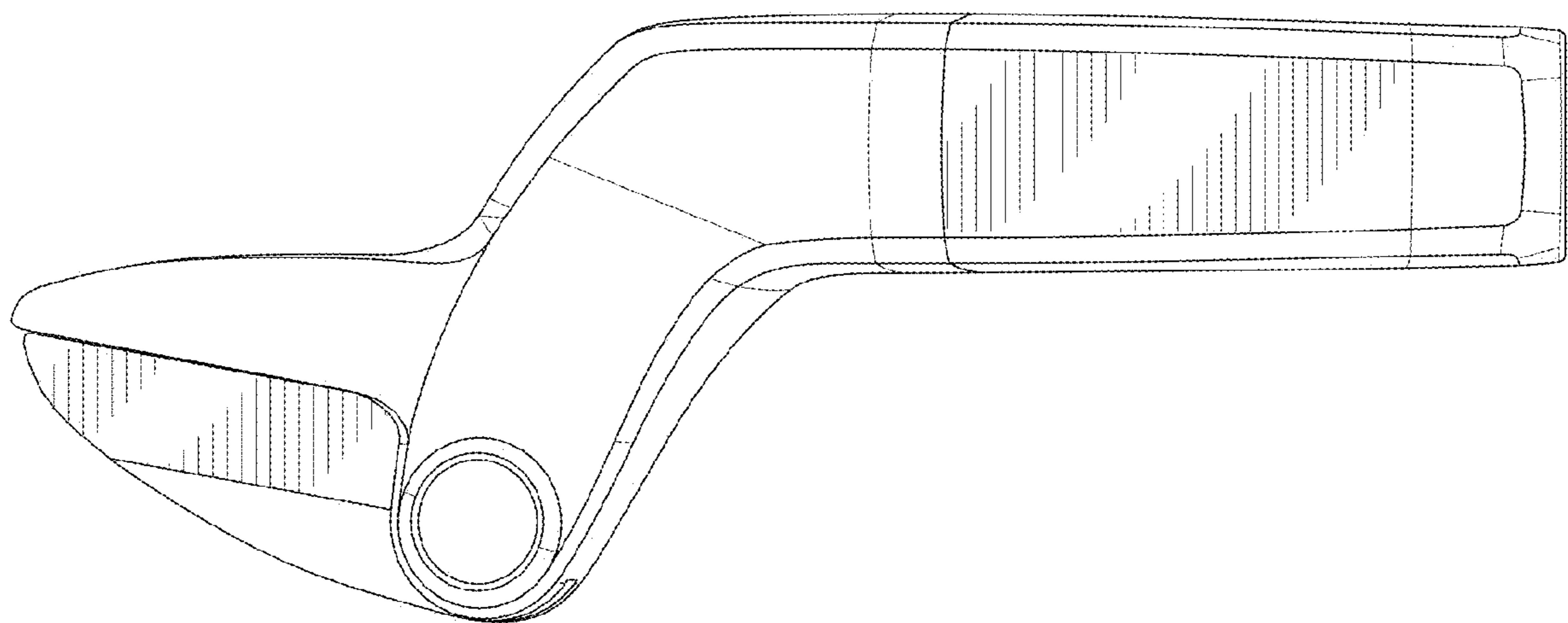


FIG. 5

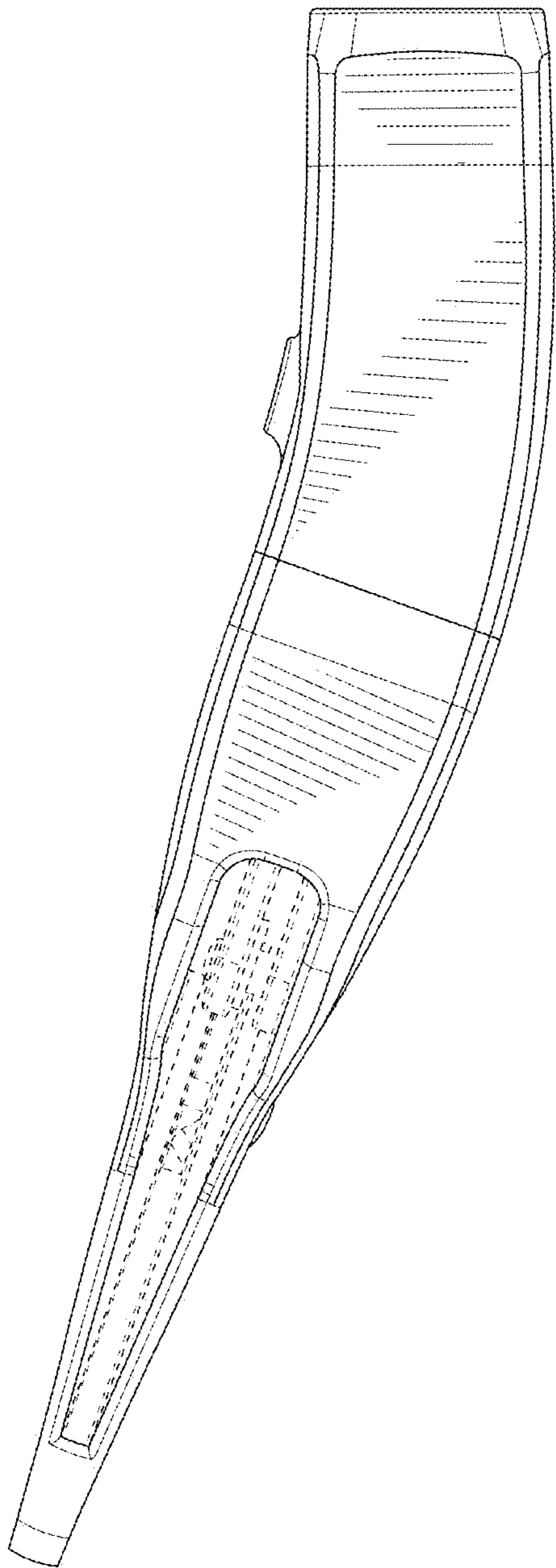


FIG. 6

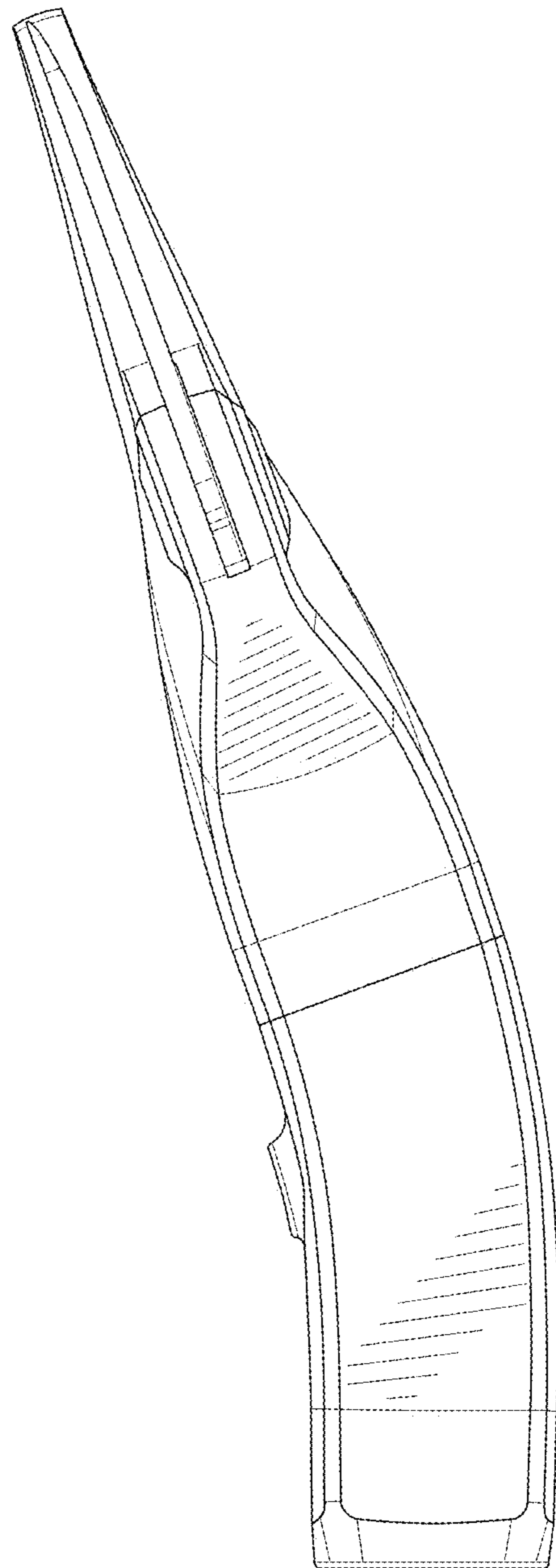


FIG. 7