



US00D876911S

(12) **United States Design Patent**
Pawluskiewicz et al.

(10) **Patent No.:** **US D876,911 S**
(45) **Date of Patent:** **** Mar. 3, 2020**

- (54) **CHOPPER**
- (71) Applicant: **Spectrum Diversified Designs, LLC**,
Streetsboro, OH (US)
- (72) Inventors: **Jan Pawluskiewicz**, Seattle, WA (US);
Matthew Frank, Seattle, WA (US);
Derek Veldkamp, Seattle, WA (US)
- (73) Assignee: **SPECTRUM DIVERSIFIED**
DESIGNS, LLC, Streetsboro, OH (US)
- (**) Term: **15 Years**
- (21) Appl. No.: **29/657,933**
- (22) Filed: **Jul. 26, 2018**
- (51) **LOC (12) Cl.** **07-04**
- (52) **U.S. Cl.**
USPC **D7/693**
- (58) **Field of Classification Search**
USPC D7/693, 669, 673, 679, 678, 381, 372,
D7/373, 412, 383, 384; D9/500, 503,
D9/504
CPC B26D 2003/287; B26D 2003/288; B26D
3/18; B26D 3/185; B26D 3/26; B26D
3/20; B26D 3/22; B26D 3/04; A47J
43/1025; A47J 43/1068; A47J 43/044;
A47J 43/0705; A47J 43/082; A47J 43/00;
A47J 43/07; A47J 43/04; A47J 43/0722;
A47J 43/26; A47J 43/06; A47J 42/14;
A47J 42/04; A47J 42/00; A47J 42/24;
A47J 42/34; A47J 42/02; A47J 42/08;
A47J 42/12; A47J 42/22; A47J 19/04;
B26B 5/00; A23N 1/02; A24B 7/00
See application file for complete search history.

- (56) **References Cited**
U.S. PATENT DOCUMENTS
3,667,519 A * 6/1972 Shaddock B26B 3/04
30/263
D447,017 S * 8/2001 Jalet D7/693

D527,588 S *	9/2006	de Groote	D7/629
D558,528 S *	1/2008	Hauser	D7/601
7,422,169 B2 *	9/2008	Mueller	A47J 43/1068 241/168
D621,261 S *	8/2010	DeMarco	D9/504
D630,912 S *	1/2011	Wong	D7/679
8,220,732 B2 *	7/2012	Griffin	A47J 43/04 241/169.1
D673,006 S *	12/2012	Kent	D7/372
D724,394 S *	3/2015	Smith	D7/372
D779,293 S *	2/2017	Cranston	D7/372
2009/0045274 A1 *	2/2009	So	A47J 43/044 241/169.1
2009/0090254 A1 *	4/2009	Herren	A47J 43/0711 99/537
2009/0320696 A1 *	12/2009	Herren	A47J 43/105 99/493
2014/0030408 A1 *	1/2014	Holcomb	A23N 7/00 426/482

* cited by examiner
Primary Examiner — Terry A Wallace
(74) *Attorney, Agent, or Firm* — Tucker Ellis LLP

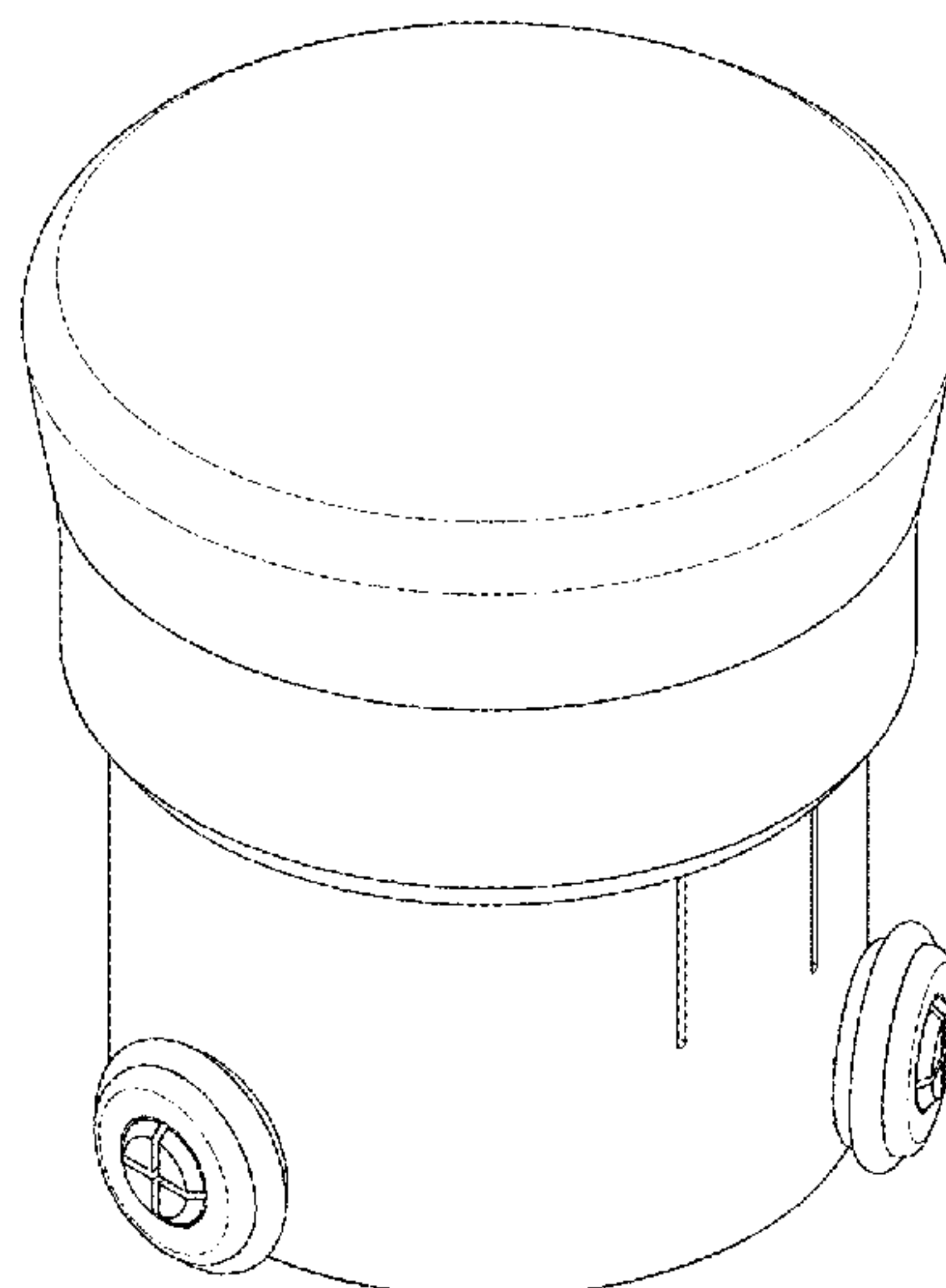
(57) **CLAIM**

The ornamental design for a chopper, as shown and described.

DESCRIPTION

- FIG. 1 is a top perspective view of a chopper showing our new design.
- FIG. 2 is a bottom perspective view thereof.
- FIG. 3 is a front view thereof.
- FIG. 4 is a rear view thereof.
- FIG. 5 is a right side view thereof.
- FIG. 6 is a left side view thereof.
- FIG. 7 is a top view thereof; and,
- FIG. 8 is a bottom view thereof.

1 Claim, 8 Drawing Sheets



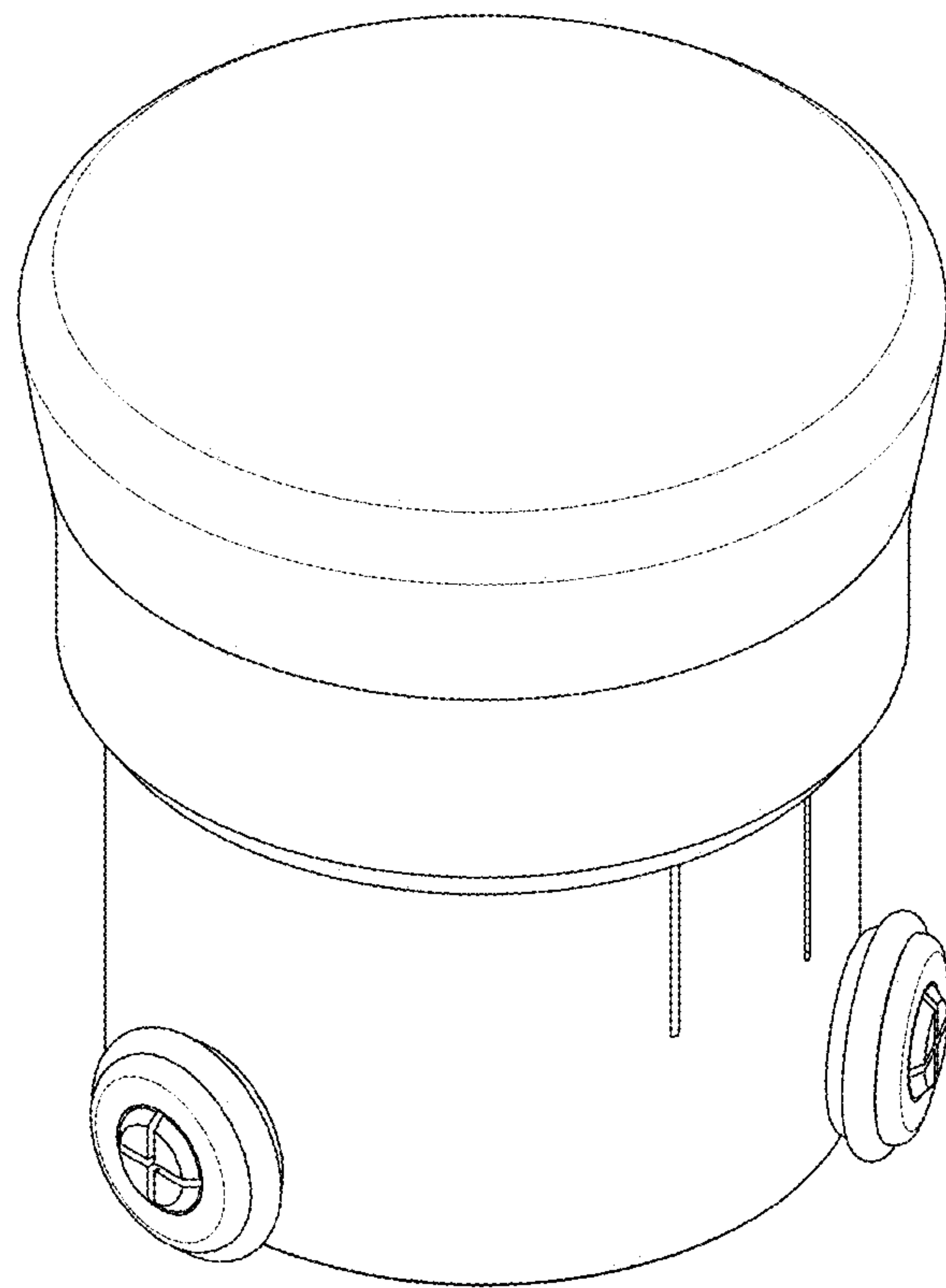


FIG. 1

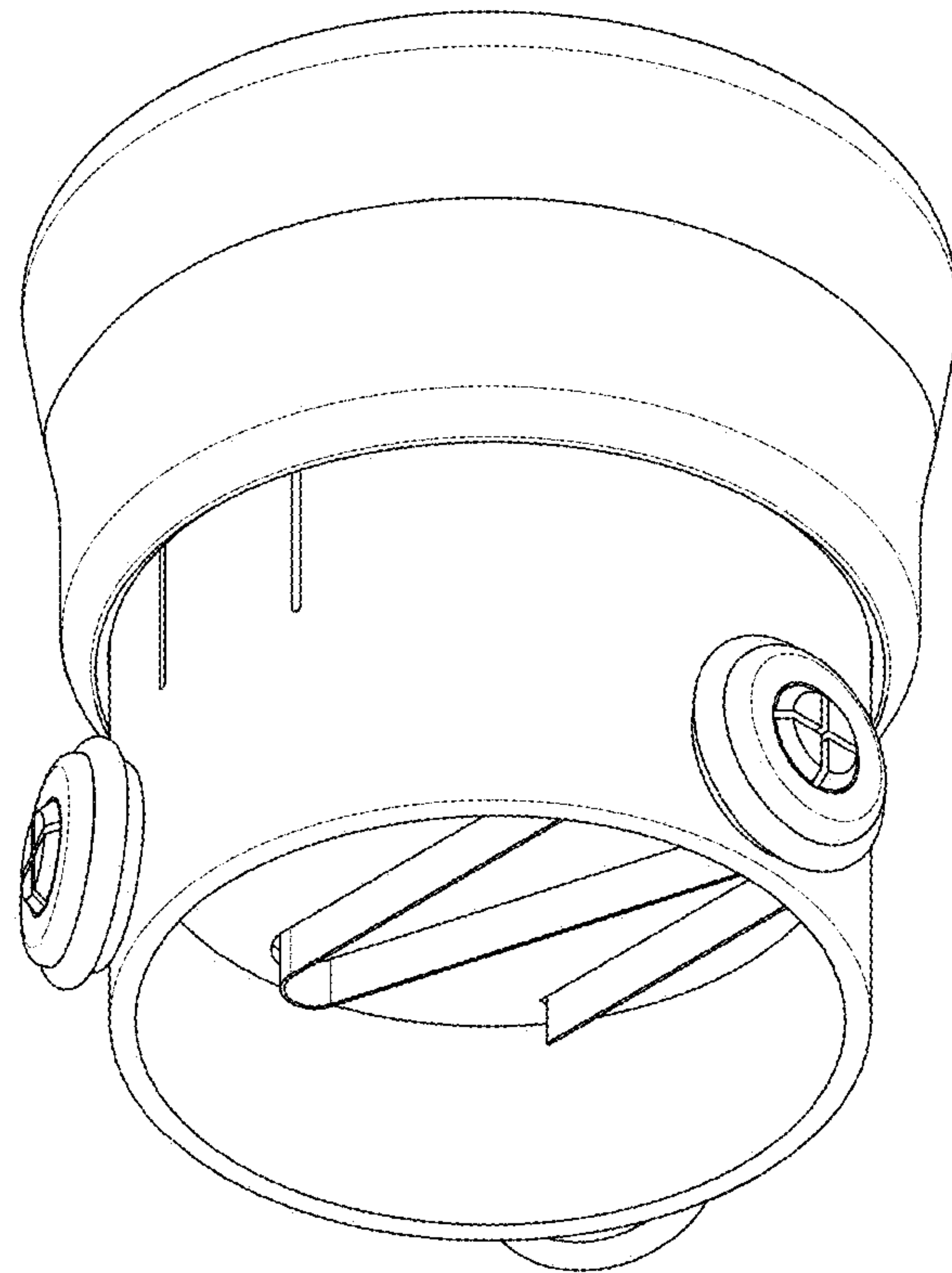


FIG. 2

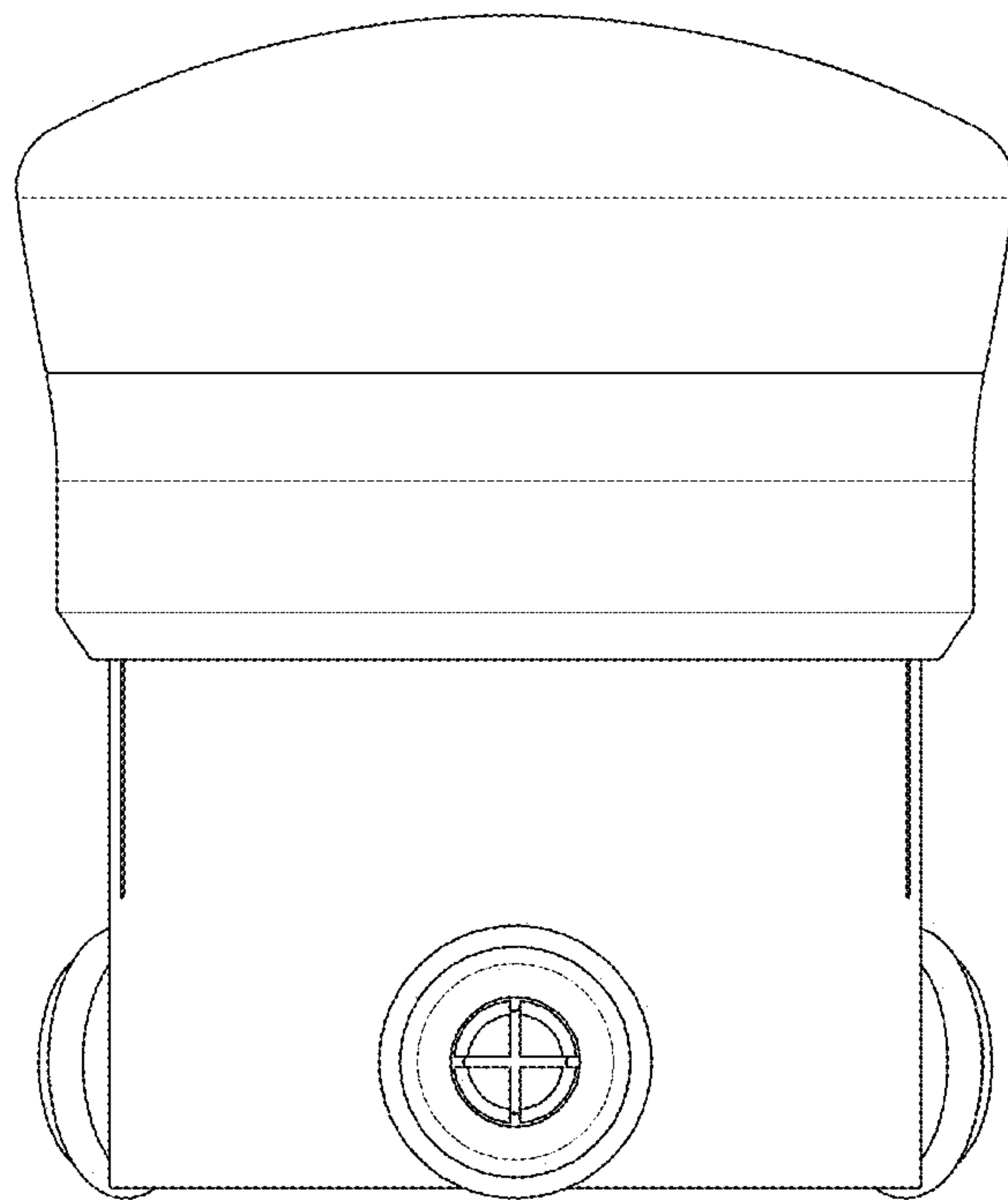


FIG. 3

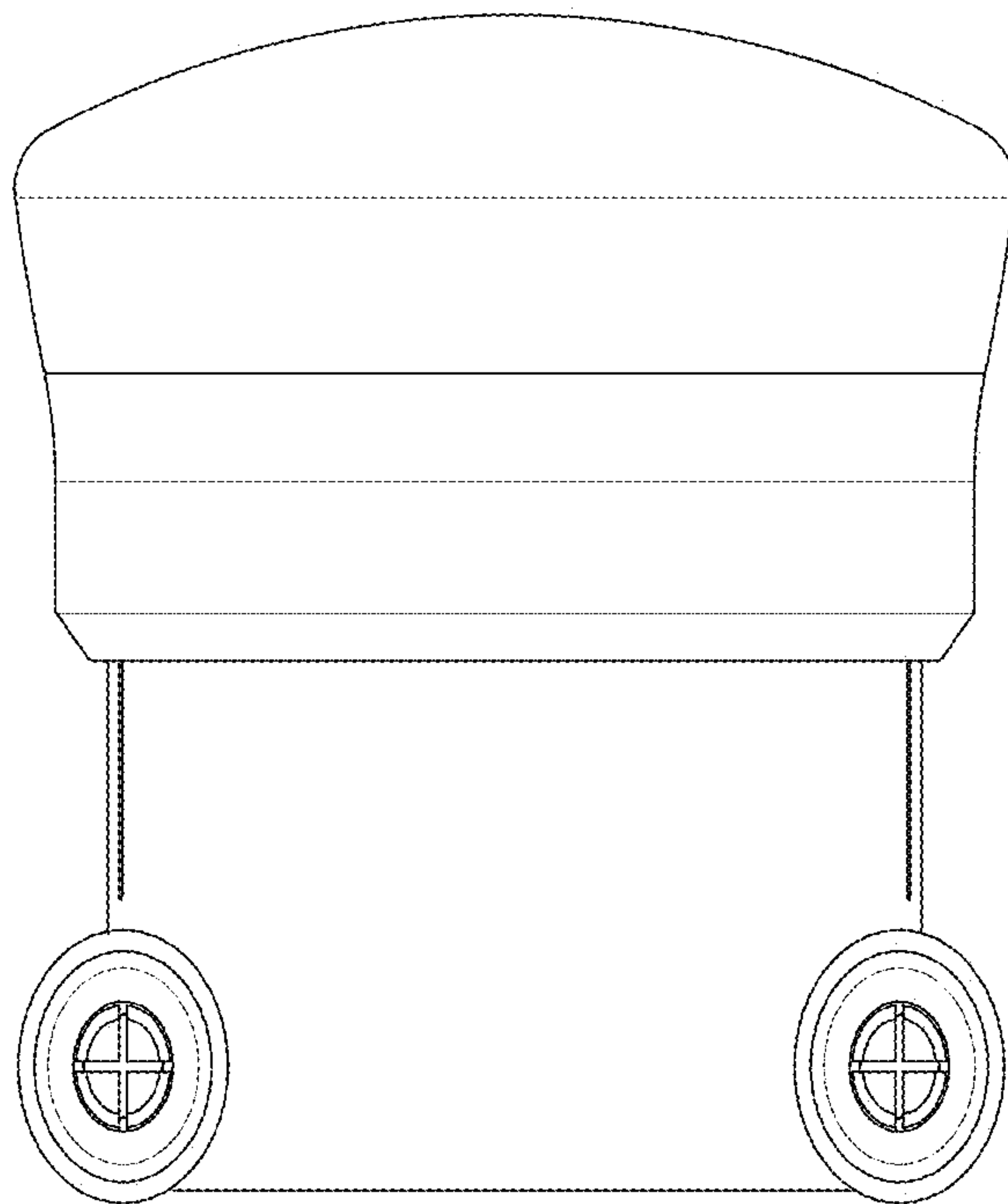


FIG. 4

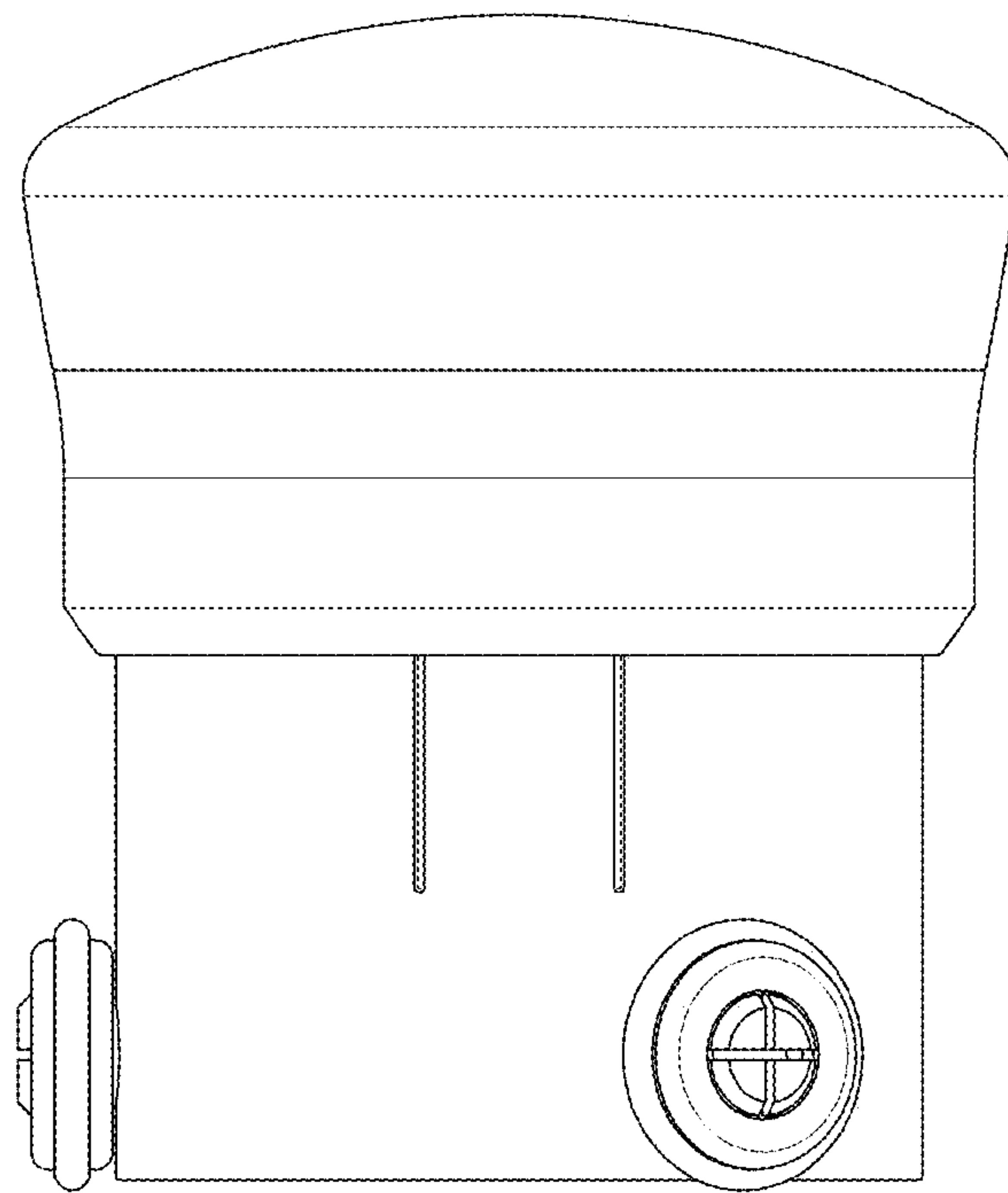


FIG. 5

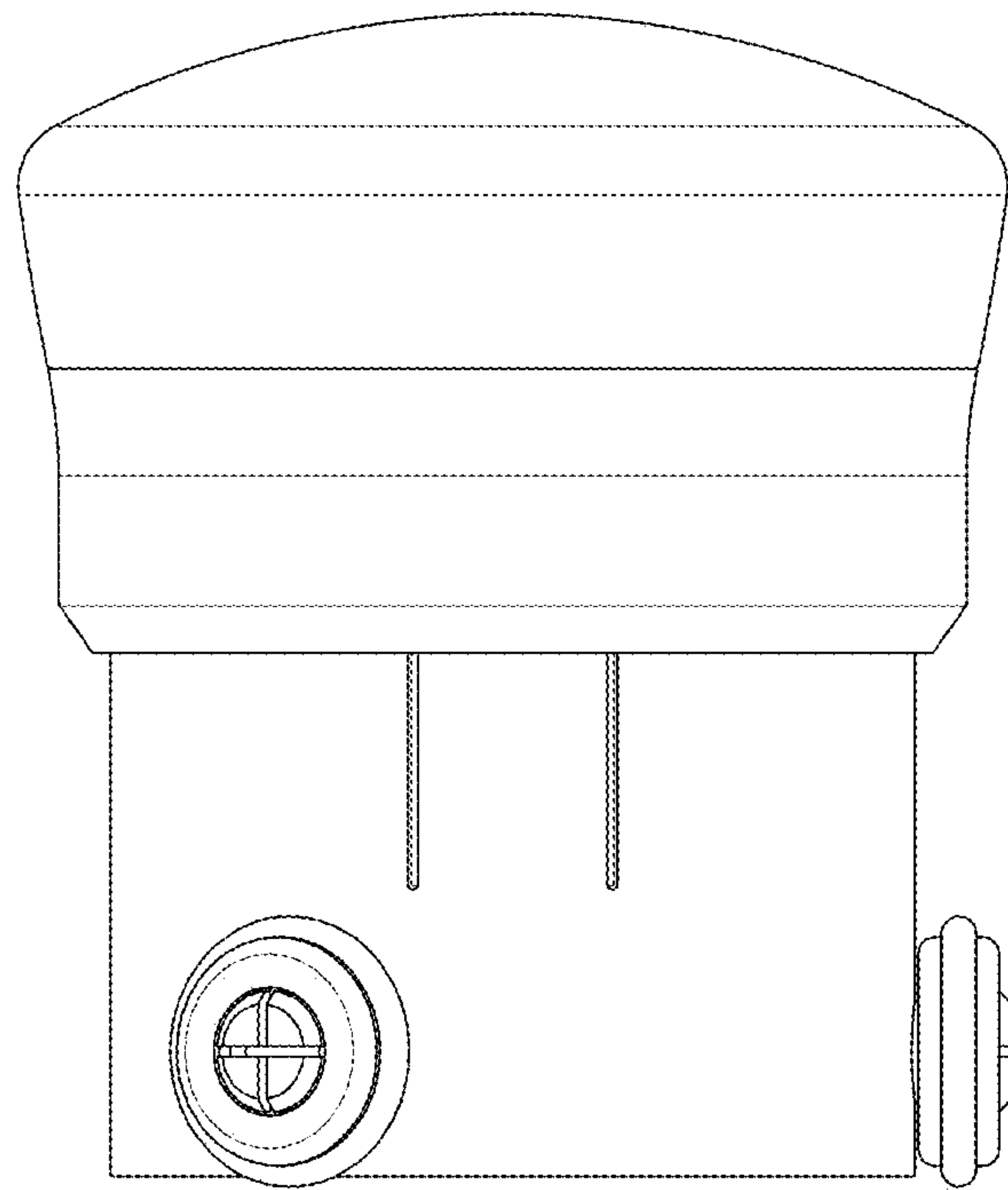


FIG. 6

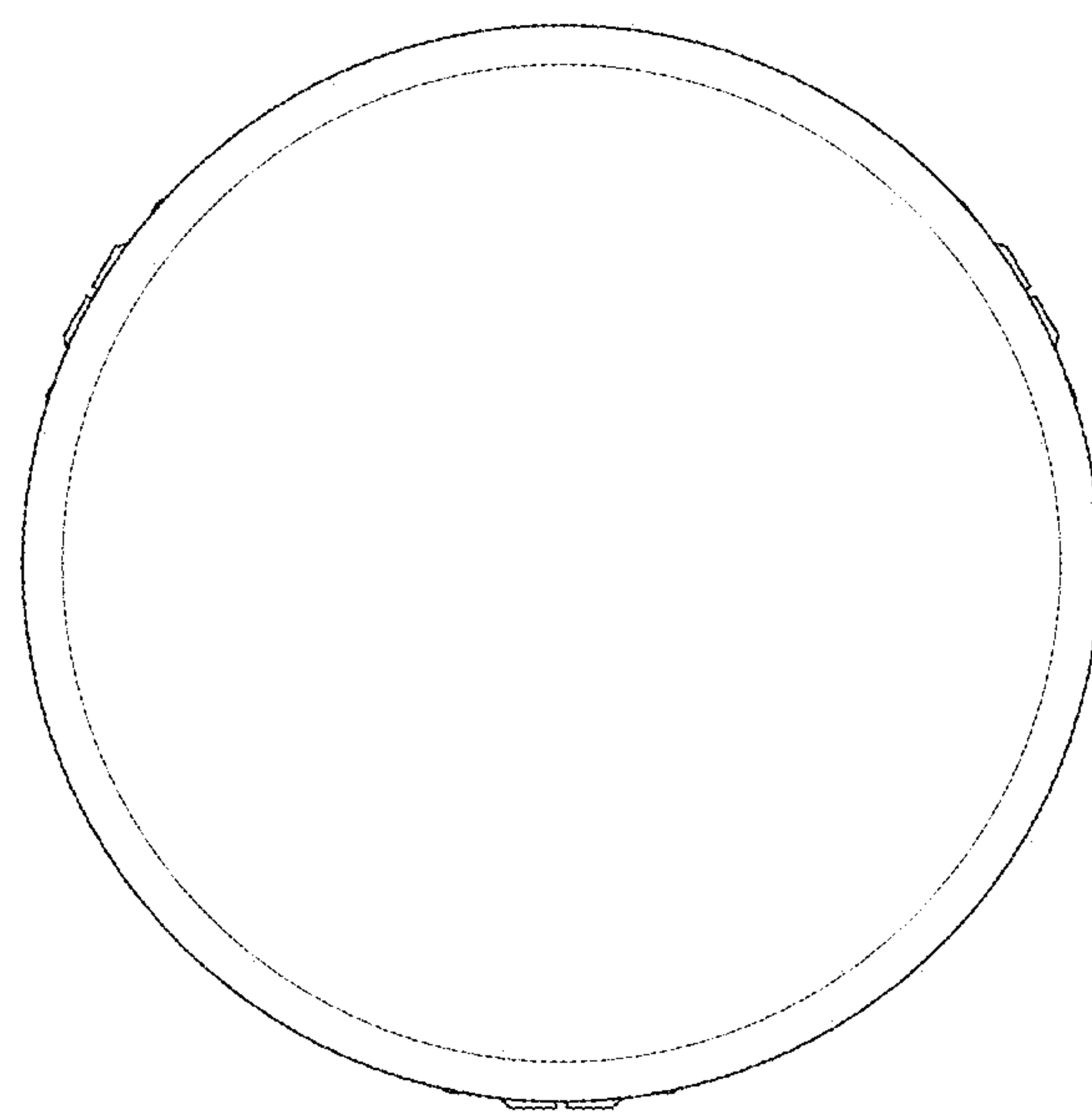


FIG. 7

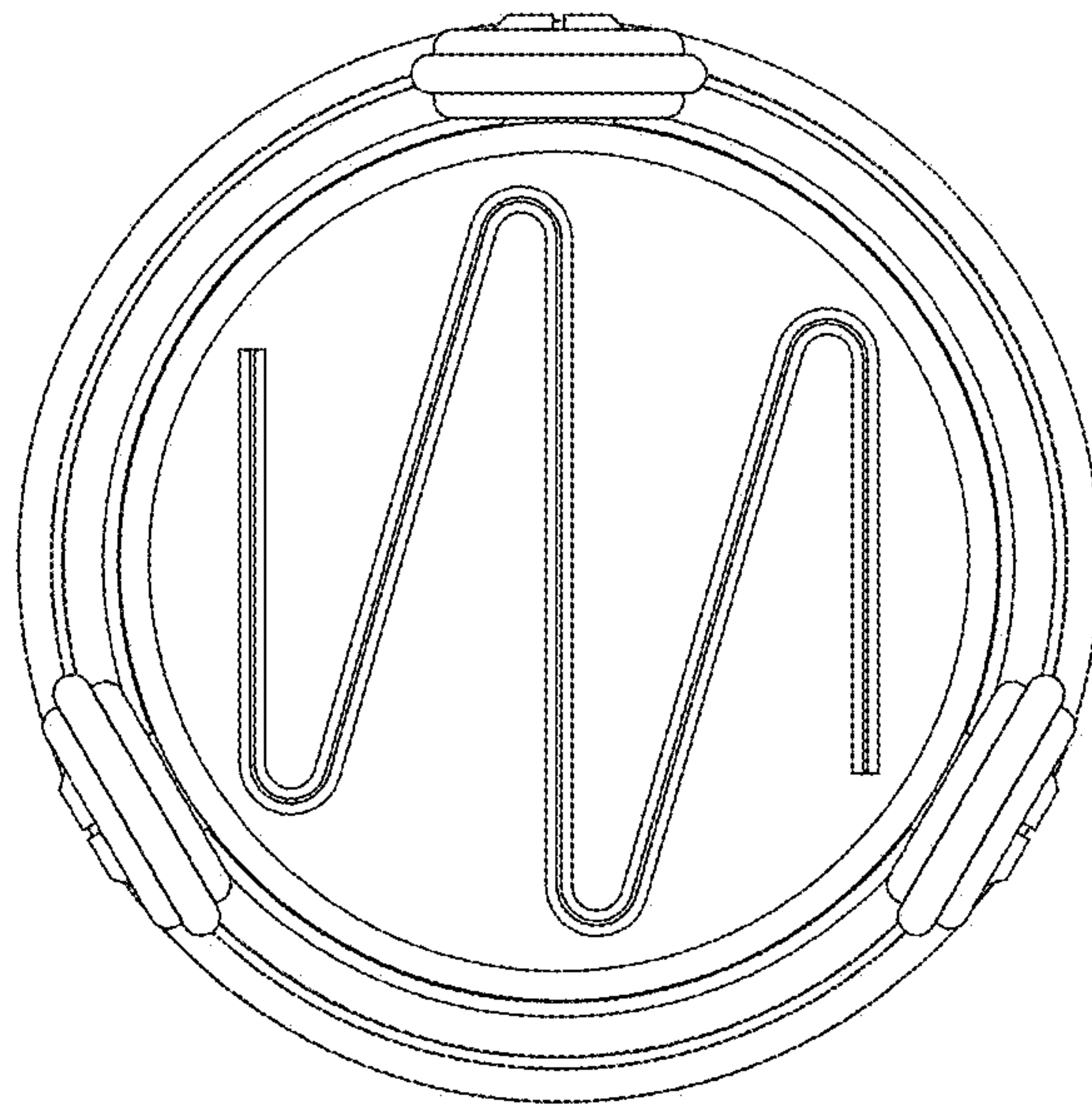


FIG. 8