



US00D876909S

(12) **United States Design Patent**
Larsen et al.

(10) **Patent No.:** **US D876,909 S**
(45) **Date of Patent:** **** Mar. 3, 2020**

- (54) **BARBEQUE TOOL**
- (71) Applicants: **Robert J Larsen**, Westmont, IL (US);
Jack A Quillin, Jr., Willowbrook, IL (US)
- (72) Inventors: **Robert J Larsen**, Westmont, IL (US);
Jack A Quillin, Jr., Willowbrook, IL (US)
- (73) Assignee: **Bortrap Industries, Inc.**
- (**) Term: **15 Years**
- (21) Appl. No.: **29/685,978**
- (22) Filed: **Apr. 1, 2019**
- (51) **LOC (12) Cl.** **07-06**
- (52) **U.S. Cl.**
USPC **D7/687**
- (58) **Field of Classification Search**
USPC D7/680-696, 368, 669, 401.2
CPC A47J 43/283; A47J 43/28; A47J 43/288;
A47J 37/0786; A47G 21/10; A47G 21/02;
A47G 21/06; A47G 21/00; A47G 21/103;
A47G 21/106; A47G 43/28; A61J 7/0023;
B25J 11/0045; B25J 1/02; B25J 1/06;
A21C 15/00; B25B 9/02; B25B 9/00;
B25B 7/00; B25B 7/02
See application file for complete search history.

(56) **References Cited**

U.S. PATENT DOCUMENTS

D108,011	S	*	1/1938	Brown	D7/687
D158,837	S	*	6/1950	Brown	D7/687
2,585,089	A	*	2/1952	Caldwell	B63B 21/08 24/559
4,002,365	A	*	1/1977	Rader	A47J 43/283 294/8
4,355,574	A	*	10/1982	Bond	A47J 43/283 100/110

D294,672	S	*	3/1988	Chasen	D7/687
4,904,009	A	*	2/1990	Kozlinski	A47J 43/283 100/234
5,076,628	A	*	12/1991	Rader	A47J 43/283 294/118
5,403,052	A	*	4/1995	Lampron	A47J 43/288 294/7
5,601,323	A	*	2/1997	Kaiser	A47J 37/0786 294/118
8,746,768	B1	*	6/2014	Coates	B01D 46/4227 294/118
D717,130	S	*	11/2014	Zemel	D7/686
9,016,738	B2	*	4/2015	Smith	E04H 4/16 294/24
9,854,946	B1	*	1/2018	Gulik	B25F 1/003
2001/0015561	A1	*	8/2001	Tseng	B25B 7/02 294/16
2004/0104586	A1	*	6/2004	Rose	A47G 21/10 294/16
2005/0012350	A1	*	1/2005	Kelsey	A47J 43/283 294/118

(Continued)

Primary Examiner — Terry A Wallace
(74) *Attorney, Agent, or Firm* — Quickpatents, LLC;
Kevin Prince

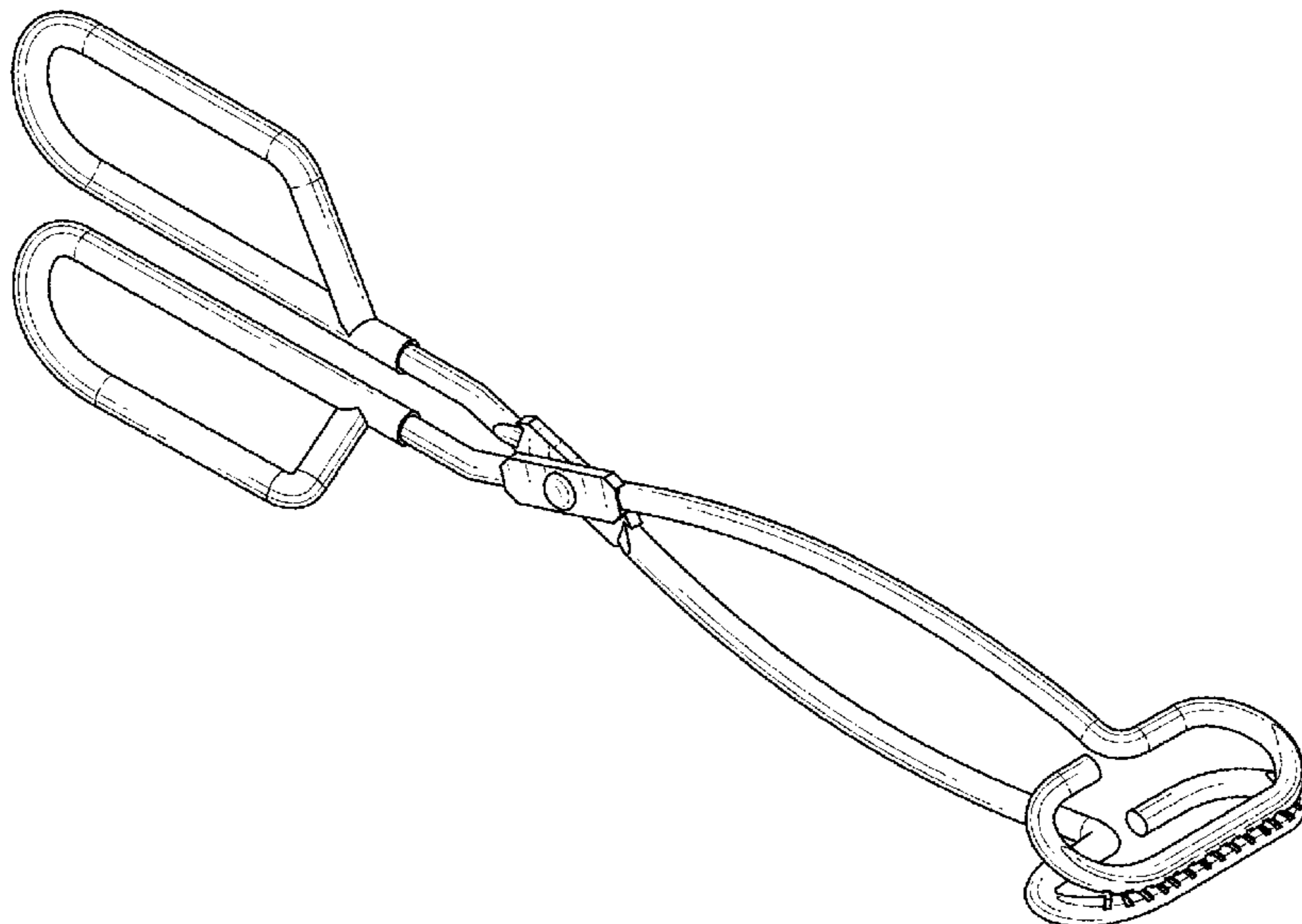
(57) **CLAIM**

The ornamental design for a barbeque tool, as shown and described.

DESCRIPTION

FIG. 1 perspective view of a barbeque tool showing our new design.
FIG. 2 right side view thereof, the opposite side being a mirror image.
FIG. 3 is a front view thereof.
FIG. 4 is a rear view thereof; and,
FIG. 5 is a top plan view thereof, the opposite side being a mirror image.

1 Claim, 3 Drawing Sheets



(56)

References Cited

U.S. PATENT DOCUMENTS

2015/0305570 A1* 10/2015 Gibson A47J 43/288
294/24

* cited by examiner

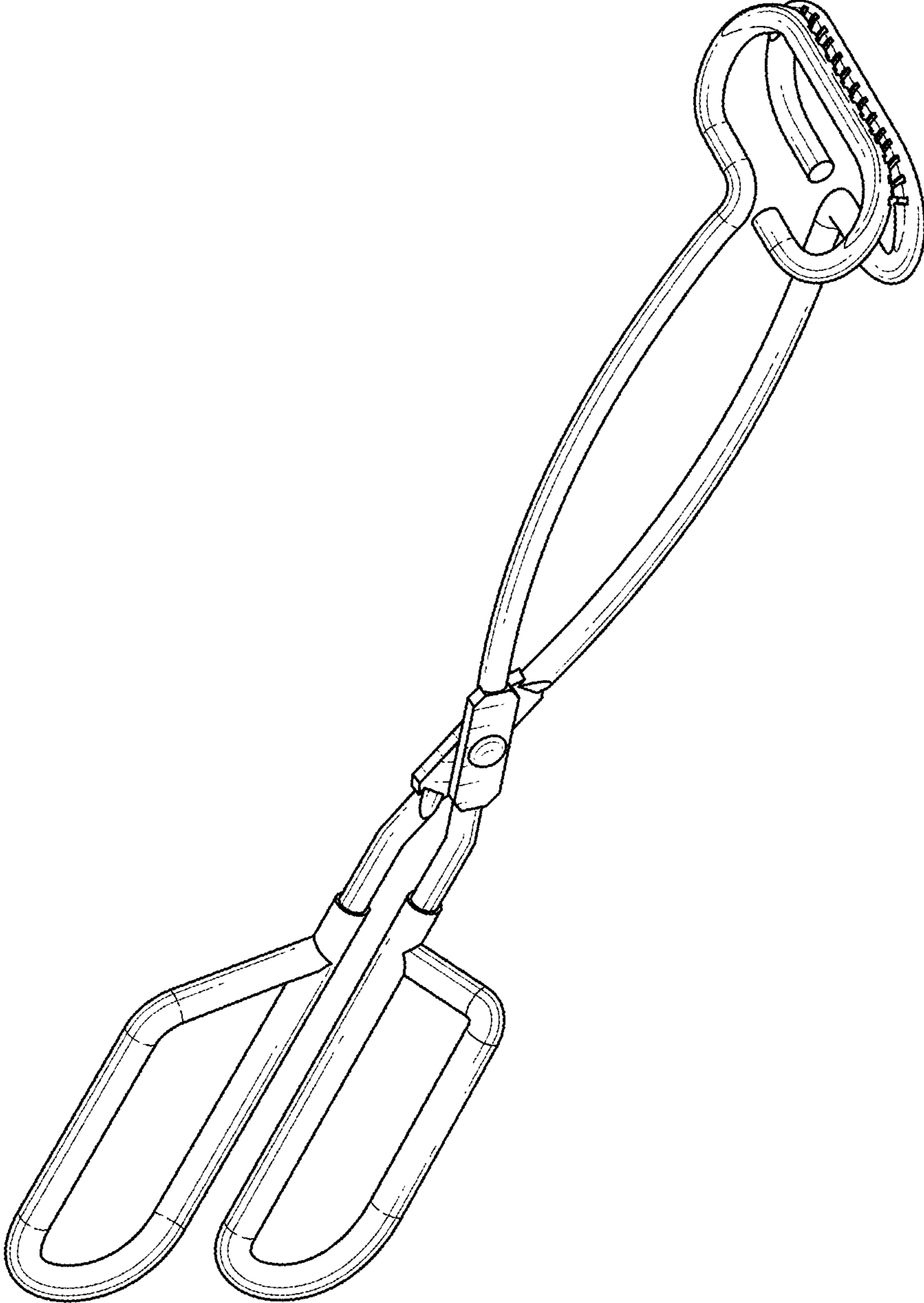


FIG. 1

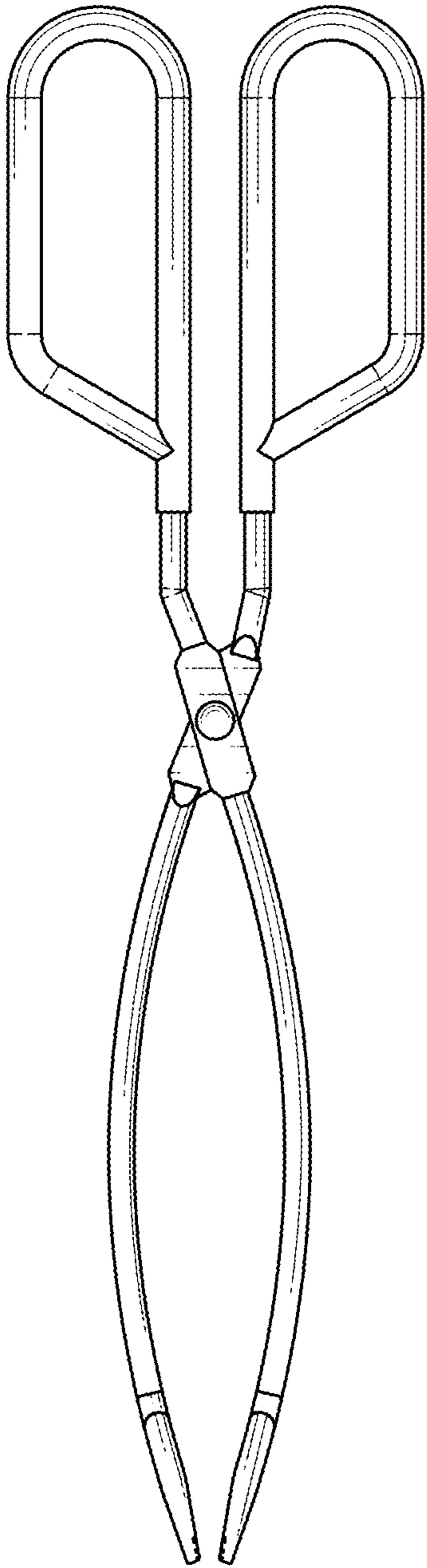


FIG. 2

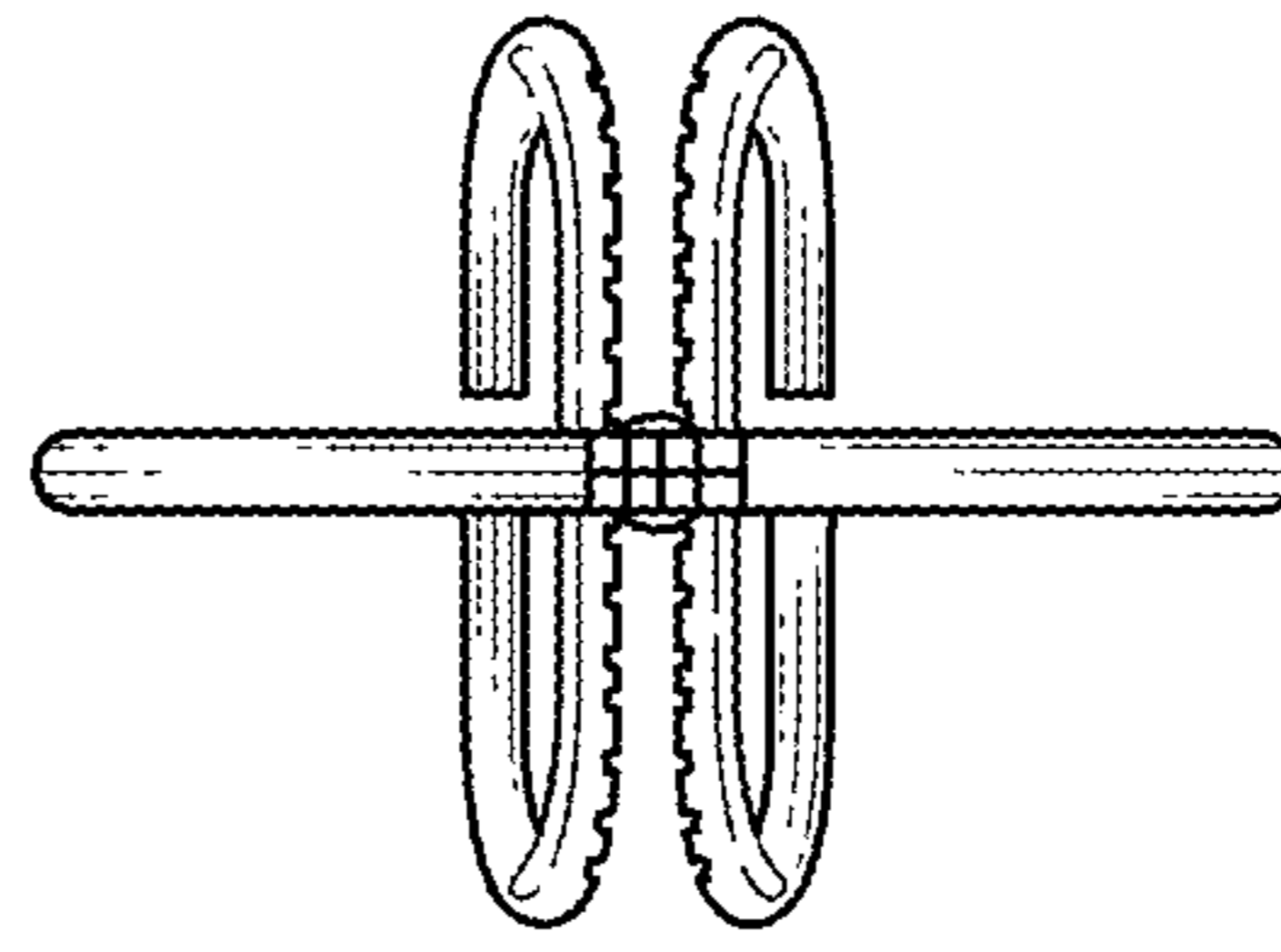


FIG. 4

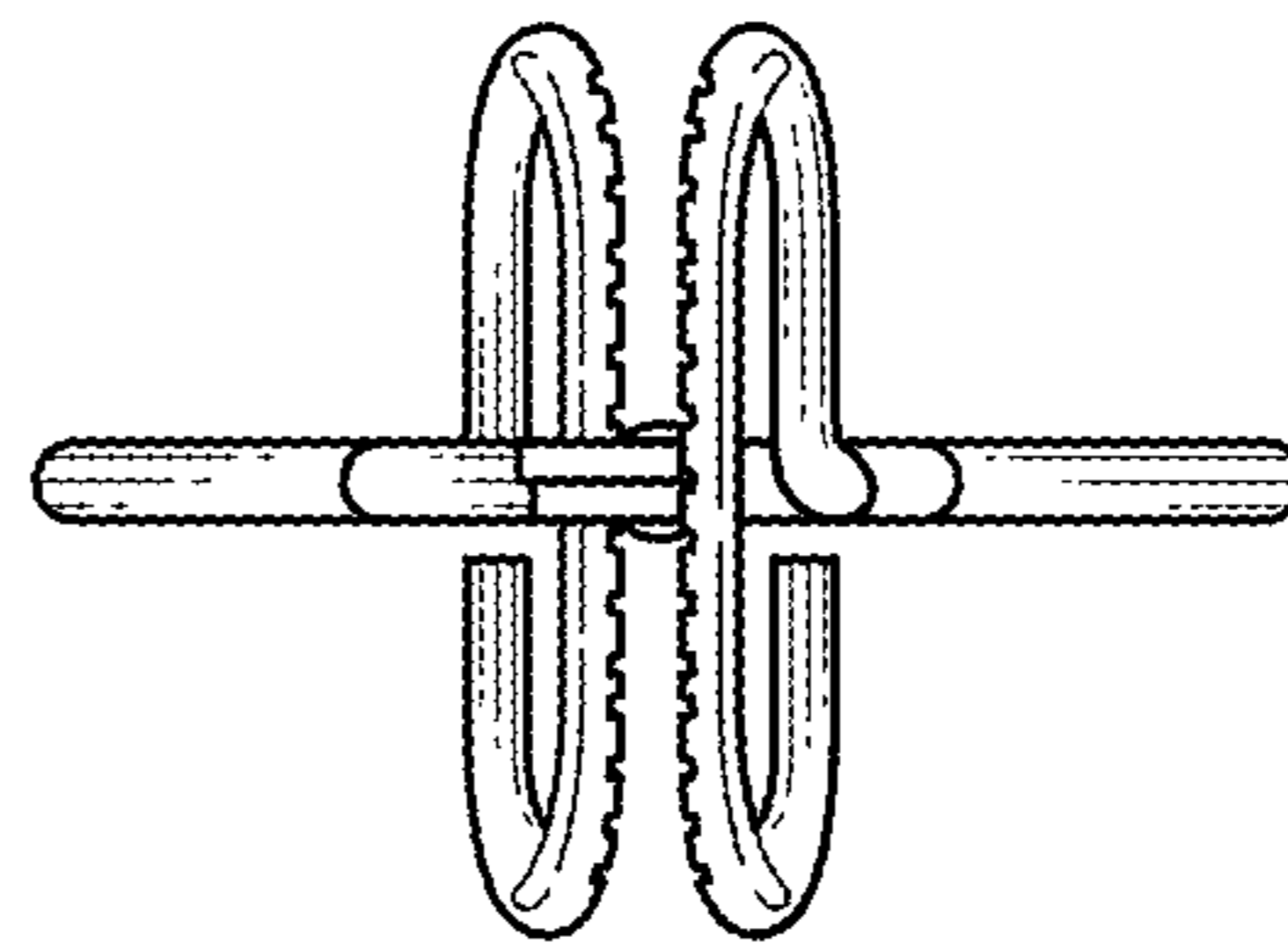


FIG. 3

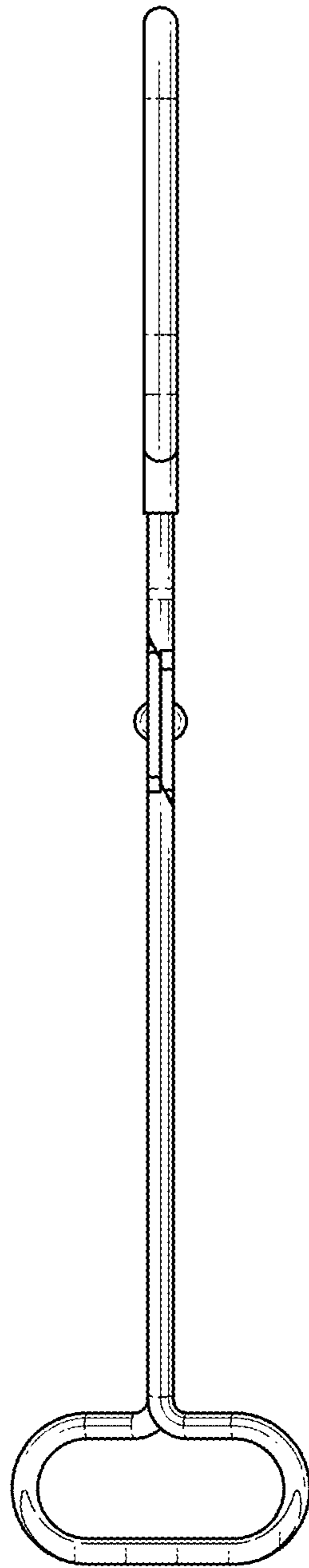


FIG. 5