



US00D876905S

(12) **United States Design Patent** (10) **Patent No.:** **US D876,905 S**
Seiders et al. (45) **Date of Patent:** **** Mar. 3, 2020**

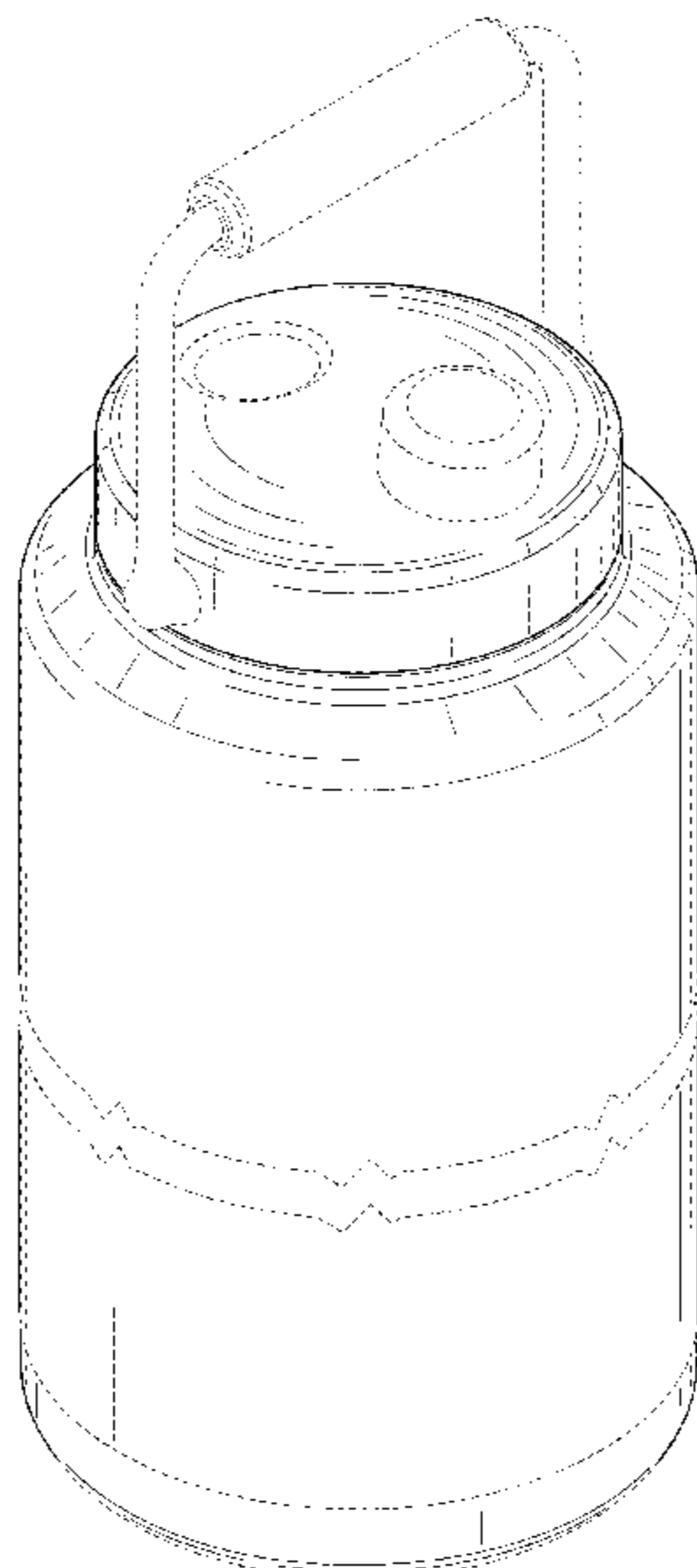
- (54) **JUG**
- (71) Applicant: **YETI Coolers, LLC**, Austin, TX (US)
- (72) Inventors: **Roy Joseph Seiders**, Austin, TX (US);
John Alan Tolman, Austin, TX (US);
Steve C. Nichols, Austin, TX (US)
- (73) Assignee: **YETI Coolers, LLC**, Austin, TX (US)
- (**) Term: **15 Years**
- (21) Appl. No.: **29/658,518**
- (22) Filed: **Jul. 31, 2018**

Related U.S. Application Data

- (63) Continuation of application No. 29/605,807, filed on May 30, 2017, now Pat. No. Des. 824,217, which is a continuation of application No. 29/546,291, filed on Nov. 20, 2015, now Pat. No. Des. 787,893.
- (51) **LOC (12) Cl.** **07-01**
- (52) **U.S. Cl.**
USPC **D7/608**
- (58) **Field of Classification Search**
USPC D7/603-608, 392.1, 510, 511, 312-314,
D7/317, 318; D9/447, 449, 504
CPC B65D 25/28; B65D 25/42; B65D 41/0414;
B65D 41/0485; B65D 41/62; B65D
43/26; B65D 43/02; B65D 43/162; B65D
43/163; B65D 47/08; B65D 47/066;
B65D 51/18; B65D 2251/0021; B65D
2251/00046; B65D 2251/0081; B65D
47/0814; B65D 47/0838; B65D 47/0861;
B65D 1/0215; B65D 81/3886; B65D
81/3823; A47G 19/2266; A47G 19/2272;
A47G 23/0216; A45C 11/20; F25D 3/08;
F25D 3/14

See application file for complete search history.

(56)	References Cited	
	U.S. PATENT DOCUMENTS	
1,477,936 A	12/1923	Bolt
D101,575 S	10/1936	Windbiel
D109,331 S	4/1938	McManus et al.
D154,378 S	7/1949	Fuller
2,735,566 A	2/1956	Bramming
D177,761 S	5/1956	Reinhardt
2,804,103 A	8/1957	Wall
2,881,776 A	4/1959	Wrage
2,957,596 A	10/1960	Rehborg
2,963,187 A	12/1960	Bramming
3,089,603 A	5/1963	Leslie-Smith
3,140,799 A	7/1964	Mehr
3,141,586 A	7/1964	Wetterek
3,220,695 A	11/1965	Downey et al.
3,239,090 A	3/1966	Bramming
3,249,268 A	5/1966	Neuner
3,285,453 A	11/1966	Wagner
3,307,752 A	3/1967	Anderson
3,439,843 A	4/1969	Corsette
3,456,840 A	7/1969	McAlaster
3,592,349 A	7/1971	Baugh
3,638,821 A	2/1972	Guala
D224,646 S	8/1972	Vollquartz
3,752,347 A	8/1973	Bell
3,776,433 A	12/1973	De Treitas
3,785,539 A	1/1974	Wetterek
3,842,790 A	10/1974	Clark
3,863,798 A	2/1975	Kurihara et al.
3,874,541 A	4/1975	Lagneaux et al.
D235,303 S	6/1975	Boucher
D248,373 S	7/1978	Allen
D256,651 S	9/1980	Leung et al.
4,358,024 A	11/1982	Underwood
4,497,422 A	2/1985	Klees
D279,346 S	6/1985	Ruxton
D281,567 S	12/1985	Zimmermann
D286,604 S	11/1986	Bierlein et al.
D286,847 S	11/1986	Zimmermann
D287,211 S	12/1986	Weiss
D289,614 S	5/1987	Sanchez et al.
D292,492 S	10/1987	Ross et al.
4,723,677 A	2/1988	Nagel, Jr.
4,981,233 A	1/1991	Scheurer
D321,628 S	* 11/1991	Kobayashi D7/608
D325,167 S	4/1992	Humfress



US D876,905 S

5,105,975 A	4/1992	Patterson	D569,195 S	5/2008	Kim
D329,809 S	9/1992	Bloomfield	D572,585 S	7/2008	Perrin et al.
D332,379 S	1/1993	Murphy	D574,237 S	8/2008	Yates, III
5,190,178 A	3/1993	Luch	D583,200 S	12/2008	Moran
5,211,299 A	5/1993	Manfredonia	7,458,486 B2	12/2008	Weist et al.
5,232,112 A	8/1993	Howard	D584,623 S	1/2009	Chupak
5,249,703 A	10/1993	Karp	D586,183 S	2/2009	Junkel
5,251,788 A	10/1993	Moore	D587,533 S	3/2009	Carreno
D354,915 S	1/1995	Schneider et al.	D589,348 S	3/2009	Miller et al.
5,392,967 A	2/1995	Satomi et al.	D594,346 S	6/2009	Mouquet
D361,265 S	8/1995	Doxey	D599,616 S	9/2009	Cresswell et al.
5,490,622 A	2/1996	Tardif	D601,436 S	10/2009	Stephens et al.
D368,224 S	3/1996	Arndt	D603,331 S	11/2009	Schupp
5,498,333 A	3/1996	Canther	D603,722 S	11/2009	Reimer
5,605,241 A	2/1997	Imperioli	D604,181 S	11/2009	Reimer
D384,280 S	9/1997	Kuczer	D604,561 S	11/2009	Chisholm
D398,193 S	9/1998	Sanchez	D605,040 S	12/2009	Fry et al.
5,813,557 A	9/1998	Oratz	D605,060 S	12/2009	Reimer
5,839,611 A	11/1998	Obadia et al.	D605,942 S	12/2009	Miksovsky
D402,510 S	12/1998	Miller	D610,871 S	3/2010	Alviar et al.
D405,642 S	2/1999	Toriba	D611,346 S	3/2010	Camomile
D405,650 S	2/1999	Meier	D612,235 S	3/2010	Cresswell et al.
D407,211 S	3/1999	Diviak, Sr.	D612,660 S	3/2010	Bodum
D407,273 S	3/1999	Moran	D614,918 S	5/2010	Chisholm
D410,175 S	5/1999	Moran	D614,955 S	5/2010	Cresswell et al.
5,909,820 A	6/1999	Yeh	D615,360 S	5/2010	Joy et al.
D415,395 S	10/1999	Hunt et al.	D615,361 S	5/2010	Goble
D415,936 S	11/1999	Moran	D615,816 S	5/2010	Joy et al.
D422,916 S	4/2000	Herrmann	D616,703 S	6/2010	Joy et al.
6,079,589 A	6/2000	Matsuyama et al.	D616,743 S	6/2010	Cresswell et al.
6,102,227 A	8/2000	Cochrane	D616,744 S	6/2010	Cresswell et al.
6,102,244 A	8/2000	Kuwano et al.	D619,457 S	7/2010	Walsh
D437,528 S	2/2001	Kitamura et al.	D619,458 S	7/2010	Walsh
6,264,072 B1	7/2001	Johannes	D619,459 S	7/2010	Walsh
D447,410 S	9/2001	Malmborg	D620,798 S	8/2010	Cresswell et al.
6,321,924 B1	11/2001	Yurkewicz et al.	D621,257 S	8/2010	Gullickson et al.
6,332,557 B1	12/2001	Moran	D621,258 S	8/2010	Gullickson et al.
6,357,628 B1	3/2002	Long, Jr.	D621,648 S	8/2010	Lown et al.
D456,669 S	5/2002	Munari	D622,089 S	8/2010	Daniel et al.
D458,133 S	6/2002	Berish et al.	D622,145 S	8/2010	Walsh
D458,134 S	6/2002	Berish et al.	D623,475 S	9/2010	Aarnoudse et al.
D466,814 S	12/2002	Hurlburt	D623,480 S	9/2010	Moran
6,530,496 B2	3/2003	Moran	D623,481 S	9/2010	Moran
6,536,618 B1	3/2003	Hwang et al.	D625,560 S	10/2010	Olson et al.
D475,924 S	6/2003	Haffner	D626,414 S	11/2010	Cresswell et al.
D476,890 S	7/2003	Hirose	D626,416 S	11/2010	Cresswell et al.
6,601,740 B1	8/2003	Clive	D627,601 S	11/2010	Eyal
D479,800 S	9/2003	McRae	D627,602 S	11/2010	Eyal
D479,995 S	9/2003	Duceppe	D627,604 S	11/2010	Eyal
D482,607 S	11/2003	McRae	D628,018 S	11/2010	Gilbert
6,648,158 B1	11/2003	Lawrence	D628,486 S	12/2010	Lane
6,662,978 B2	12/2003	Lin et al.	D628,898 S	12/2010	Barnett et al.
6,675,998 B2	1/2004	Forsman et al.	D628,900 S	12/2010	Barnett et al.
6,702,138 B1	3/2004	Bielecki et al.	D628,901 S	12/2010	Barnett et al.
D490,275 S	5/2004	Moran	D629,689 S	12/2010	Cresswell et al.
D494,064 S	8/2004	Hook	D629,690 S	12/2010	Cresswell et al.
D494,425 S	8/2004	Segura	D629,691 S	12/2010	Cresswell et al.
6,908,015 B2	6/2005	Choi et al.	D630,474 S	1/2011	Gilbert
D507,495 S	7/2005	Williams et al.	D630,475 S	1/2011	Lu
D511,457 S	11/2005	Biesecker et al.	D631,349 S	1/2011	Arnell et al.
D521,314 S	5/2006	Ball	7,870,968 B2	1/2011	Hanson
D524,909 S	7/2006	Bakke et al.	D631,666 S	2/2011	Lim et al.
D525,518 S	7/2006	Baldwin	D633,338 S	3/2011	Rosbach et al.
D530,141 S *	10/2006	Wilgus D7/313	D633,794 S	3/2011	Cresswell et al.
D533,032 S	12/2006	Liu et al.	D633,795 S	3/2011	Cresswell et al.
D536,929 S	2/2007	Kingsley	D633,796 S	3/2011	Cresswell et al.
D536,974 S	2/2007	Smith et al.	D633,797 S	3/2011	Cresswell et al.
7,172,101 B2	2/2007	Find	D634,160 S	3/2011	Cetera
D537,714 S	3/2007	Yerby et al.	D635,457 S	4/2011	Lane
D540,625 S	4/2007	Sandberg	D635,856 S	4/2011	Lauret
D548,082 S	8/2007	Kingsley	D638,695 S	5/2011	Woodrow et al.
D549,444 S *	8/2007	Schnackenberg D3/202	D638,708 S	5/2011	Walsh
7,270,244 B1	9/2007	Liu	D639,164 S	6/2011	Walsh
D553,914 S	10/2007	Wahl	D639,177 S	6/2011	Pape
D554,000 S	10/2007	Walsh	D639,661 S	6/2011	Llerena
D557,994 S	12/2007	Wahl	D639,663 S	6/2011	Llerena
D564,363 S	3/2008	Rhea	D640,466 S	6/2011	Staton
D567,007 S	4/2008	Bodum	D641,257 S	7/2011	Thiebaut et al.
D567,021 S	4/2008	Bach et al.	D641,591 S	7/2011	Tsukida

US D876,905 S

D643,691 S	8/2011	Selina et al.	D709,734 S	7/2014	Kotani
D643,693 S	8/2011	Jama	8,777,031 B2	7/2014	Aneas
D645,709 S	9/2011	Endo	D712,254 S	9/2014	Geis et al.
8,011,535 B2	9/2011	Tauber et al.	D712,255 S	9/2014	Geis et al.
D648,984 S	11/2011	Gullickson et al.	D713,268 S	9/2014	Jones et al.
D651,050 S	12/2011	Goshi	D713,365 S	9/2014	Green
D651,847 S	1/2012	Gilbert	8,833,586 B2	9/2014	Meyers et al.
D652,255 S	1/2012	Carland	D714,584 S	10/2014	Boroski
D652,682 S	1/2012	Eyal	D717,102 S	11/2014	Taketani et al.
D653,499 S	2/2012	Dietterle et al.	D717,601 S	11/2014	Dixon
D654,762 S	2/2012	Gilbert	D719,780 S	12/2014	Sullivan
D655,134 S	3/2012	Gilbert	8,905,252 B2	12/2014	Latham et al.
D655,581 S	3/2012	Kotani	D724,385 S *	3/2015	Hurley D7/511
D657,196 S	4/2012	Beyers, III	D724,435 S	3/2015	Kaufman et al.
D658,064 S	4/2012	Barnes et al.	8,967,414 B2	3/2015	Lane
D658,445 S	5/2012	Carreno	8,985,406 B2	3/2015	Tachi
D659,007 S	5/2012	Pape	D728,315 S	5/2015	Bo
D660,084 S	5/2012	Gilbert	D728,995 S	5/2015	Barberi
8,177,097 B2	5/2012	Duran	D729,579 S	5/2015	Molayem
D662,360 S	6/2012	George	D729,584 S	5/2015	Weston et al.
8,210,572 B2	7/2012	Davis	D732,402 S	6/2015	Jones et al.
8,215,511 B1	7/2012	Lin	D734,154 S	7/2015	Johnson et al.
D664,809 S	8/2012	Eyal	D734,638 S	7/2015	Wahl
D665,621 S	8/2012	Eyal	D735,033 S	7/2015	Lynd et al.
8,245,600 B2	8/2012	Beard	D735,038 S	7/2015	Tamarindo
8,245,870 B2	8/2012	McKinney et al.	D735,578 S	8/2015	Mazurkiewicz et al.
8,251,247 B1	8/2012	Breckner	9,113,698 B2	8/2015	Blain et al.
D666,908 S	9/2012	Dabah et al.	9,126,731 B2	9/2015	Chen
8,256,631 B2	9/2012	Hoffmann et al.	D741,655 S	10/2015	Whelan et al.
8,272,532 B2	9/2012	Michaelian et al.	D743,255 S	11/2015	Niggemyer
D668,913 S	10/2012	Mayer	D743,742 S	11/2015	Rummel et al.
8,292,133 B2	10/2012	Baughman et al.	D744,781 S	12/2015	Rummel et al.
D670,137 S	11/2012	Gilbert	9,205,445 B2	12/2015	Fang et al.
D671,372 S	11/2012	Zou	9,215,942 B2	12/2015	Bodum
D672,238 S	12/2012	Aziz et al.	D748,472 S	2/2016	Seybel et al.
D672,609 S	12/2012	Aziz et al.	D748,955 S	2/2016	Oliver
D673,459 S	1/2013	Moran, Sr.	D751,345 S	3/2016	Lane et al.
D675,100 S	1/2013	Herbst	D751,399 S	3/2016	Lynd et al.
D675,865 S	2/2013	Wahl	D751,898 S	3/2016	D'Anglade
D676,764 S	2/2013	Moore et al.	9,272,822 B2	3/2016	Samartgis
D677,103 S	3/2013	Melzer	D754,472 S	4/2016	Munari
D677,119 S	3/2013	Ying	D755,561 S	5/2016	Eyal
D678,729 S	3/2013	Peeters et al.	D757,543 S	5/2016	Sorensen et al.
D678,772 S	3/2013	Johnson et al.	9,346,591 B2	5/2016	Martinengo
D679,185 S	4/2013	Brown et al.	D758,136 S	6/2016	Liotta et al.
D680,389 S	4/2013	Zemel et al.	D758,790 S	6/2016	Boroski
D682,016 S	5/2013	Knight	D758,791 S	6/2016	Hanna et al.
D682,617 S	5/2013	Miksovsky et al.	D758,804 S	6/2016	Liotta et al.
8,443,993 B1	5/2013	Desselle	D758,859 S	6/2016	Sorensen et al.
8,443,994 B1	5/2013	Desselle	D759,487 S	6/2016	Jayakaran
D684,059 S	6/2013	Johnson et al.	9,376,243 B2	6/2016	Cerveney
8,459,468 B2	6/2013	Lin	D760,586 S	7/2016	Seiders et al.
D686,078 S	7/2013	Johnson et al.	D761,624 S	7/2016	McLean et al.
D688,093 S	8/2013	Roth et al.	D762,418 S	8/2016	Sorensen et al.
8,505,760 B2	8/2013	Ott	D763,076 S	8/2016	Lane et al.
8,505,787 B2	8/2013	Fox et al.	D764,916 S	8/2016	Mount, III et al.
D690,987 S	10/2013	Gallen	D767,390 S	9/2016	Miksovsky et al.
8,550,269 B2	10/2013	Lane	D772,021 S	11/2016	Joy
D693,698 S	11/2013	Miller, Jr.	D772,652 S	11/2016	Yao
8,584,902 B2	11/2013	Dejonge	D772,718 S	11/2016	Lee
D695,138 S	12/2013	Ball	9,493,274 B2	11/2016	Ledun et al.
8,613,369 B2	12/2013	Kitto	9,493,283 B2	11/2016	Tuyn
D696,945 S	1/2014	Newman	D773,250 S	12/2016	Miller
D697,404 S	1/2014	Johnson et al.	D773,938 S	12/2016	Weber
D697,802 S	1/2014	Lane	D774,826 S	12/2016	Boroski
8,622,229 B2	1/2014	Lane	9,522,770 B2	12/2016	Pichrt
D698,668 S	2/2014	Vaughn	9,532,671 B2	1/2017	Lin
D701,464 S	3/2014	Ogata et al.	D778,117 S	2/2017	Du
D702,092 S	4/2014	Mettler et al.	D778,118 S	2/2017	Du
D702,506 S *	4/2014	Mettler D7/608	D778,725 S	2/2017	Sorensen et al.
8,695,822 B2	4/2014	Kwon	9,586,733 B2	3/2017	Garza
8,701,881 B2	4/2014	Gibson et al.	D784,812 S	4/2017	Miller
8,701,924 B2	4/2014	Dalbec	D786,012 S	5/2017	Hein et al.
8,708,176 B2	4/2014	Andis	D787,893 S	5/2017	Seiders et al.
8,720,730 B2	5/2014	Bodden, Jr.	D790,913 S	7/2017	Stover et al.
8,752,720 B1	6/2014	Habig et al.	D791,542 S	7/2017	Miksovsky et al.
D708,484 S	7/2014	Bishop	9,694,953 B2	7/2017	Meyers et al.
D708,914 S	7/2014	Moran, Sr.	9,708,108 B2	7/2017	Gregory et al.
D708,954 S	7/2014	Barnes et al.	D795,008 S	8/2017	Eyal

US D876,905 S

Page 4

9,745,110	B2	8/2017	Boyer et al.	2018/0118427	A1	5/2018	Lee et al.
9,771,189	B2	9/2017	Miksovsky et al.	2018/0134457	A1	5/2018	Mutterle et al.
D799,269	S	10/2017	Vargo	2018/0141722	A1	5/2018	Langelaan
D799,909	S	10/2017	Partridge	2018/0162608	A1	6/2018	Kim
D799,963	S	10/2017	Akiyama	2018/0162610	A1	6/2018	Kim
9,801,969	B2	10/2017	Griffis	2019/0039782	A1	2/2019	Campbell
D802,375	S	11/2017	Kao	2019/0047773	A1	2/2019	Bullock et al.
D802,419	S	11/2017	Seiders et al.				
D802,994	S	11/2017	Seiders et al.				
D806,465	S	1/2018	Boroski				
D806,543	S	1/2018	Finkbohner et al.				
9,919,860	B2	3/2018	Dabah et al.	CN	301110494	1/2010	
9,926,115	B2	3/2018	Jung et al.	CN	201694495	U	1/2011
D814,852	S	4/2018	Melanson et al.	CN	202030152	U	11/2011
D814,930	S	4/2018	Tremayne et al.	CN	202060630	U	12/2011
D816,426	S	5/2018	Washburn et al.	CN	202287503	U	7/2012
D817,114	S	5/2018	Beckman	CN	103112651	A	5/2013
D818,775	S	5/2018	Woodruff	CN	202981686	U	6/2013
D820,039	S	6/2018	Fitzsimons	CN	103538798	A	1/2014
10,029,832	B2	7/2018	Isogai	CN	102730301	B	3/2015
10,040,593	B2	8/2018	Ross et al.	CN	103086061	B	8/2015
10,086,980	B2	10/2018	Isogai	CN	303528321		12/2015
D834,938	S	12/2018	Barnes et al.	CN	105705425	A	6/2016
D835,937	S	12/2018	Nichols	CN	303894653		10/2016
D836,387	S	12/2018	Silsby et al.	CN	303899030		10/2016
D836,388	S	12/2018	Abante et al.	CN	303902404		11/2016
D836,389	S	12/2018	Abante et al.	CN	303905254		11/2016
10,167,120	B1	1/2019	Levy et al.	CN	303905266		11/2016
10,189,619	B1	1/2019	Crawley	CN	303944047		11/2016
2002/0014498	A1	2/2002	Forsman et al.	CN	303956194		12/2016
2003/0141321	A1	7/2003	Sekendur	CN	303965272		12/2016
2003/0155323	A1	8/2003	Ekkert	CN	303965286		12/2016
2004/0016715	A1	1/2004	Strikovic	CN	303965392		12/2016
2004/0201224	A1	10/2004	Chang	CN	303965400		12/2016
2004/0206721	A1	10/2004	Swanberg et al.	CN	303966239		12/2016
2005/0274741	A1	12/2005	Cho	CN	303974938		12/2016
2006/0180585	A1	8/2006	Cunningham et al.	CN	303984407		12/2016
2007/0108153	A1	5/2007	Weist	CN	303984493		12/2016
2007/0199914	A1	8/2007	Hung	CN	304011213		1/2017
2007/0251956	A1	11/2007	Wasserman et al.	CN	304011214		1/2017
2008/0142466	A1	6/2008	Balitski	CN	205998332	U	3/2017
2008/0230506	A1	9/2008	Lantz et al.	CN	108313494	A	7/2018
2009/0084752	A1	4/2009	Coulson	CN	107224167	B	8/2018
2009/0101644	A1	4/2009	Maiwald et al.	CN	108394633	A	8/2018
2010/0012615	A1	1/2010	Brooks	CN	106458394	B	10/2018
2010/0089151	A1	4/2010	Mantilla et al.	CN	105050907	B	12/2018
2010/0200602	A1	8/2010	Chan	CN	105358441	B	12/2018
2010/0215294	A1	8/2010	Berman	CN	108945789	A	12/2018
2010/0237078	A1	9/2010	Lentz et al.	DE	2233565	A1	6/1973
2011/0056386	A1	3/2011	Taketani	DE	2226556	B2	8/1977
2011/0186585	A1	8/2011	Lu	DE	3514261	A1	1/1986
2011/0198352	A1	8/2011	Lown et al.	DE	29611746	U1	11/1997
2012/0074143	A1	3/2012	Lin	DE	29912668	U1	12/1999
2012/0199548	A1	8/2012	Kitto	DE	102014011506	B3	7/2015
2013/0136382	A1	5/2013	Barron	DK	402016101176-0008		11/2016
2013/0306642	A1	11/2013	Dabah et al.	DK	402016101176-0010		11/2016
2014/0069917	A1	3/2014	Meyers et al.	EM	003528504-0004		12/2016
2014/0251938	A1	9/2014	Rose et al.	EM	004539732-0003		12/2017
2014/0312077	A1	10/2014	Tajima et al.	EP	1693310	A1	8/2006
2014/0353275	A1	12/2014	Hung	EP	1934106	A1	6/2008
2015/0191293	A1	7/2015	Forcella	EP	2457842	B1	5/2015
2015/0251812	A1	9/2015	Gillie	EP	3066018	A4	11/2016
2015/0314929	A1	11/2015	Tebbe et al.	EP	2851311	B1	6/2018
2015/0374151	A1	12/2015	Lin	EP	3157833	A	8/2018
2016/0159538	A1	6/2016	Michie	EP	2796078	B1	10/2018
2016/0167852	A1	6/2016	Moradi	EP	3398484	A1	11/2018
2016/0176587	A1	6/2016	Heraud	EP	3398871	A1	11/2018
2016/0256359	A1	9/2016	Trawick et al.	FR	1359912	A	4/1964
2016/0318693	A1	11/2016	Hein et al.	FR	2521957	B1	10/1986
2016/0355305	A1	12/2016	Hoskins	FR	2786465		6/2000
2017/0001772	A1	1/2017	Rho	GB	729903	A	5/1955
2017/0127859	A1	5/2017	Hornung et al.	GB	2114959	B	7/1985
2017/0144811	A1	5/2017	Wohlgenannt	JP	H02-052759	U	4/1990
2017/0158398	A1	6/2017	Shively	JP	H03159974	U	7/1991
2017/0158412	A1	6/2017	Seiders et al.	JP	H08-0117119	A	5/1996
2017/0354289	A1	12/2017	Marina et al.	JP	2001315831	A	11/2001
2018/0029762	A1	2/2018	Eyal	JP	2003125912	A	5/2003
2018/0050845	A1	2/2018	Chin et al.	JP	2008162679	A	7/2008
2018/0105346	A1	4/2018	Tolman et al.	JP	1363566		6/2009
				JP	2010280402	A	12/2010

FOREIGN PATENT DOCUMENTS

JP	1530358		8/2015
JP	2016141412	A	8/2016
JP	6408837	B2	10/2018
JP	6409250	B1	10/2018
JP	2019001538	A	1/2019
KR	200169857	Y1	2/2000
KR	300295354		4/2002
KR	300303813.0000		8/2002
KR	300764889.0000		10/2014
KR	3020150002495		12/2015
KR	101581270	B1	1/2016
KR	300883384.0000		11/2016
KR	300884377.0000		12/2016
KR	300885455.0000		12/2016
KR	300885851.0000		12/2016
KR	300888536.0000		1/2017
KR	101785906	B1	10/2017
RU	00100680		11/2016
WO	2005028317	A2	3/2005
WO	2006023238	A2	3/2006
WO	07123365	A1	11/2007
WO	08048039	A1	4/2008
WO	14041325	A3	9/2014
WO	14184341	A1	11/2014
WO	D088688-002		1/2016
WO	16180908	A1	11/2016
WO	17097485	A1	6/2017
WO	17115193	A1	7/2017
WO	18149763	A1	8/2018
WO	2017/223093	A3	2/2019

OTHER PUBLICATIONS

Liquid Hardware, Insulated Aqua Silver Sidewinder Vacuum Bottle 20oz./592ml. Powder Coated in USA!, product description, retrieved from internet on Aug. 12, 2015, 3 pages.

Nov. 2, 2016—(WO) International Search Report and Written Opinion—App. No. PCT/US2016/047043.

Oct. 18, 2016—(JP) Office Action—APP. 2016-010799, English Translation, 3 Pages.

Oct. 18, 2016—(JP) Office Action—App. 2016-010800, English Translation, 3 Pages.

Yeti 36 oz. Rambler: Announced Jan. 11, 2016 [online], site visited [May 10, 2016]. Available from Internet URL: <http://yeticoolers.com/rambler-bottle-36-oz/>.

KOLD Vacuum Insulated Stainless Steel Sports Bottle: Announced Dec. 8, 2015 [online], site visited [May 11, 2016]. Available from Internet URL: <http://www.amazon.com/KOLD-Sports-Water-Bottles-Insulated/dp/B018YH K79E/ ref=cm>.

“Hydro Flask Insulated Stainless Steel Water Bottle” published on Dec. 29, 2014, retrieved from http://web.archive.org/web/*/https://www.amazon.com/dp/B004X55L9I/ref=twister_B00GA03LG4?_encoding=UTF8&psc=1 on Sep. 22, 2016.

“UA Beyond 18 oz. Vacuum Insulated Water Bottle” published on Mar. 29, 2015, retrieved from http://web.archive.org/web/*/https://www.underarmour.com/en-us/beyond-18-oz-vacuum-insulated-ss-bottle-with-flip-top-lid/pid1232014 on Sep. 22, 2016.

“Klean Kanteen Insulated Classic with Polypropylene” published on Jul. 7, 2015, retrieved from http://web.archive.org/web/*/https://www.lifewithoutplastic.com/store/klean-kanteen-insulated-classic-with-polypropylene-loop-cap-0-95-1-32-oz.html on Sep. 22, 2016.

“Eco Vessel 64 ounce Growler” published on Jan. 28, 2015, retrieved from http://web.archive.org/web/*/http://www.snewsnet.com/press-release/eco-vessel-launches-the-boss-insulated-growler/ on Sep. 22, 2016.

“64 oz Double-Wall Vacuum-Insulated Growler” published on Nov. 14, 2014, retrieved from https://web.archive.org/web/*/http://www.fiftyfiftybottles.com/64oz-growler/ on Sep. 22, 2016.

“2015 Boulder Insulated Water Bottle with Tea, Fruit, Ice Strainer” published on Jun. 28, 2015, retrieved from http://web.archive.org/web/*/http://www.ecovessel.com/boulder-insulated-water-bottle-with-tea-fruit-ice-strainer-20-oz/ on Sep. 22.

“KB8 20 oz. Double Wall Stainless Bottle,” published on May 22, 2015, retrieved from <https://web.archive.org/web/20150807054814/http://thermo-steel.com/work/keen-kb8> on Sep. 27, 2016.

Nov. 1, 2016—(JP) Office Action—APP. 2016-9606, English Translation, 2 Pages.

Oct. 4, 2016—(JP) Office Action—APP. 2016-9607, English Translation, 2 pages.

Oct. 4, 2016—(JP) Office Action—APP. 2016-9608, English Translation, 2 Pages.

“First Look: YETI Rambler One Gallon ‘Jug’ Review”. Found online Jun. 12, 2017 at gearjunkie.com. Page dated May 2, 2017. Retrieved from <https://gearjunkie.com/yeti-rambler-one-gallon-jug-review>.

“Lifefactory Water Bottle with Flip Cap”. Found online Oct. 26, 2016 at amazon.com. Page dated Jan. 21, 2012. Retrieved from https://www.amazon.com/Lifefactory-22-Ounce-BPA-Free-Bottle-Silicone/dp/B01JHJYOI/ref=pd_day0_79_22?_encoding=UTF8&refRID=YW47QZQ73YFSYXXEHXG2.

“Igloo Sport Beverage Cooler”. Found online Jun. 7, 2017 at amazon.com. Page dated Mar. 9, 2013. Retrieved from https://www.amazon.com/Igloo-Beverage-Cooler-Majestic-2-Gallon/dp/B0088AYPOG/ref=cm_cr_ar_p_d_product_top?ie=UTF8.

“Klear Loop Cap Hangle Lids for Klear Bottle and Hydro Flask”. Found online Jun. 7, 2017 at amazon.com. Page dated Jul. 4, 2016. Retrieved from https://www.amazon.com/Klear-Handle-Bottle-Hydro-Flask/dp/B01EXKSRLQ/ref=cm_cr_ar_p_d_product_top?ie=UTF8.

Rambler Jug Mount. Online, published date unknown. Retrieved on Jan. 2, 2018 from URL: <https://www.yeti.com/accessories/rambler-jug-mount!YRAMJM.html>.

AVEX, “40oz. 3Sixty Pour Stainless Steel Thermal Bottle”, Accessed May 18, 2017. <http://www.avexoutdoor.com/3sixty-pour-realtree-thermal-bottle.html>.

Jan. 29, 2018—(WO) Invitation to Pay Additional Fees and Partial International Search Report—App. No. PCT/US2017/057010—13 pages.

Mar. 27, 2018—(WO) International Search Report and Written Opinion—App. No. PCT/US2017/057010—19 pages.

Yeti Rambler Vacuum Insulated Stainless Steel One Gallon Jug with MagCap. Found online Jun. 12, 2017 at amazon.com. Page dated May 30, 2017. Retrieved from <https://www.amazon.com/YETI-Rambler-Vacuum-Insulated-Stainless/dp/B071HTJ4Q8>.

“Klean Kanteen Stainless Unibody Bamboo Cap”. Found online Jun. 12, 2018 at amazon.com. Page dated Sep. 10, 2012. Retrieved from https://www.amazon.com/Klean-Kanteen-Stainless-Unibody-Bamboo/dp/B0083F0SDI/ref=cm_cr_ar_p_dproduct_top?ie=UTF8.

“Takeya ThermoFlask”. Found online Jun. 9, 2018 at amazon.com. Page dated Apr. 15, 2016. Retrieved from https://www.amazon.com/Takeya-ThermoFlask-Pack-Back-Silver/dp/B01D7NIOWW/ref=cm_cr_ar_p_d_product_top?ie=UTF8.

“Twitter: h2go elevate and h2go inspire: same lid stlye, different body typw”. Found online Jun. 12, 2018 at twitter.com. Page dated Jan. 21, 2015. Retrieved from <https://twitter.com/etsexpress/status/557997114589196288>.

“Thermos Stainless King 60 Ounce Vacuum Insulated Beverage Bottle.” Found online Jul. 13, 2018 at www.amazon.com. Page dated Aug. 15, 2015. Retrieved from U RL: <https://www.amazon.com/Thermos-Stainless-Insulated-Beverage-Midnight/dp/B008YB4V52> (Year: 2015).

“Stanley Classic Vacuum Bottle.” Found online Jul. 13, 2018 at www.amazon.com. Page dated Nov. 30, 2014. Retrieved from URL: <https://tinyurl.com/y8nnytm9> (Year: 2014).

* cited by examiner

Primary Examiner — Terry A Wallace
(74) Attorney, Agent, or Firm — Banner & Witcoff, Ltd.

(57) CLAIM

The ornamental design for a jug, as shown and described.

DESCRIPTION

FIG. 1 is a top, front, left perspective view of a jug showing our new design;

FIG. 2 is a front view thereof;
FIG. 3 is a rear view thereof;
FIG. 4 is a right side view thereof;
FIG. 5 is a left side view thereof;
FIG. 6 is a top view thereof; and,
FIG. 7 is a bottom view thereof.

The pairs of centrally located jagged lines are shown broken away to disclose indeterminate length, the portion of the design between the jagged lines is unclaimed subject matter, and the remaining dash-dash broken lines are directed to environment only, none of the broken lines form a part of the claimed design.

1 Claim, 6 Drawing Sheets

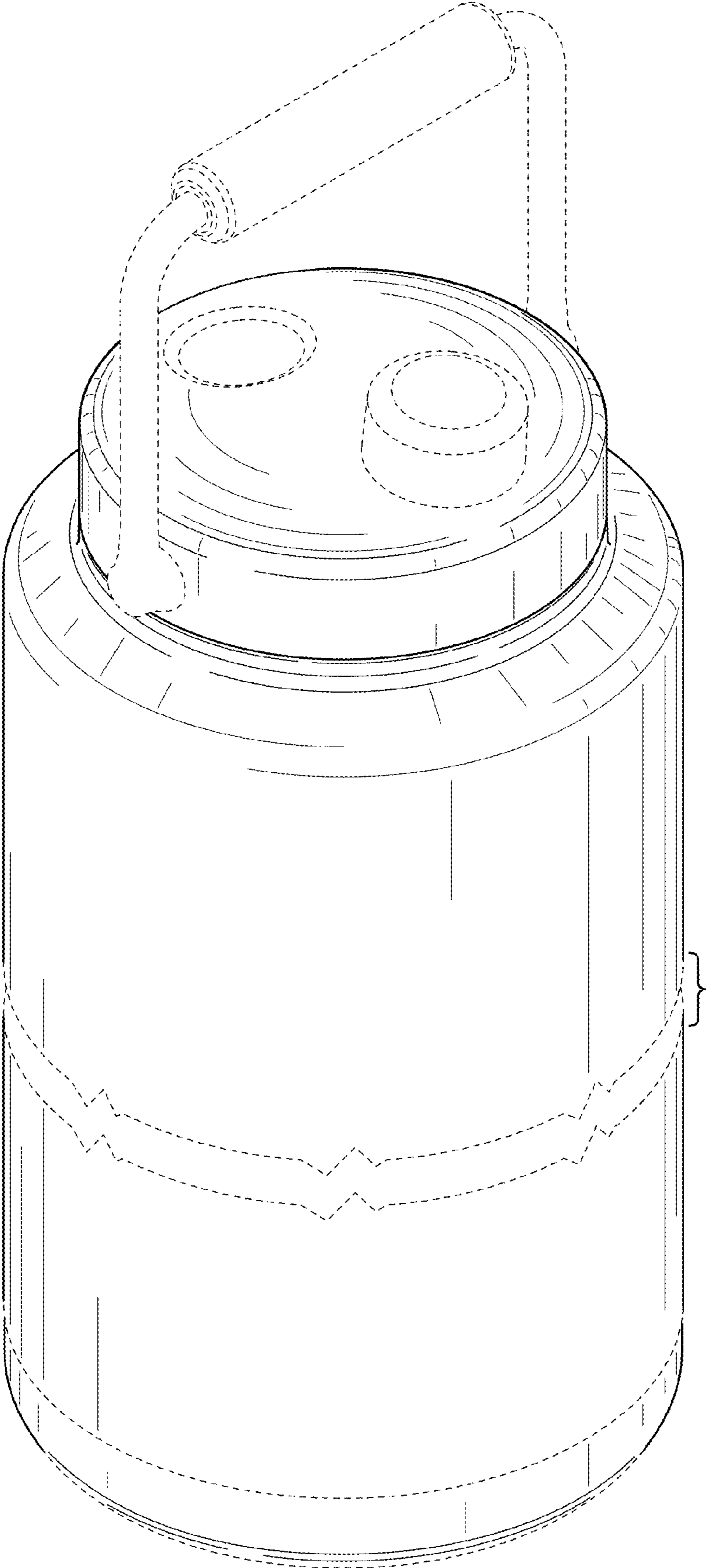


FIG. 1

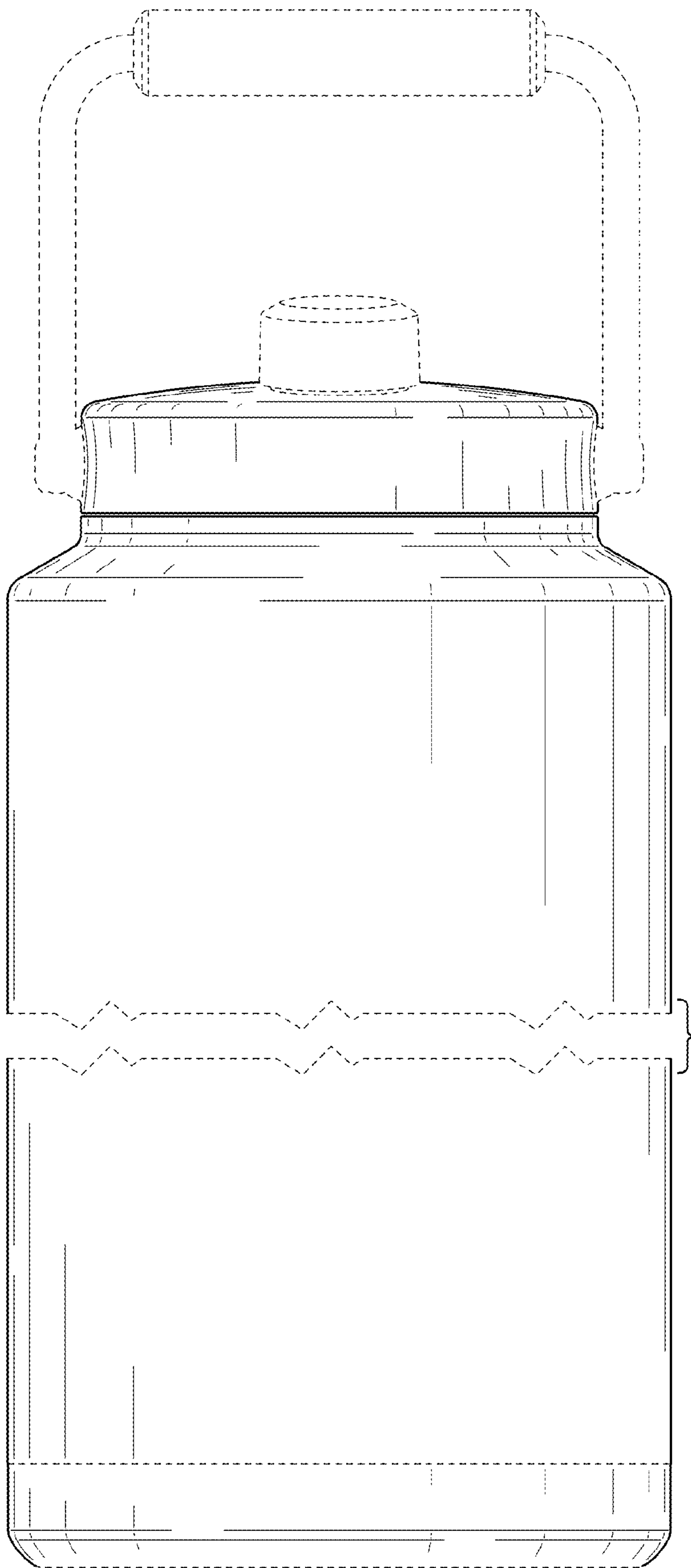


FIG. 2

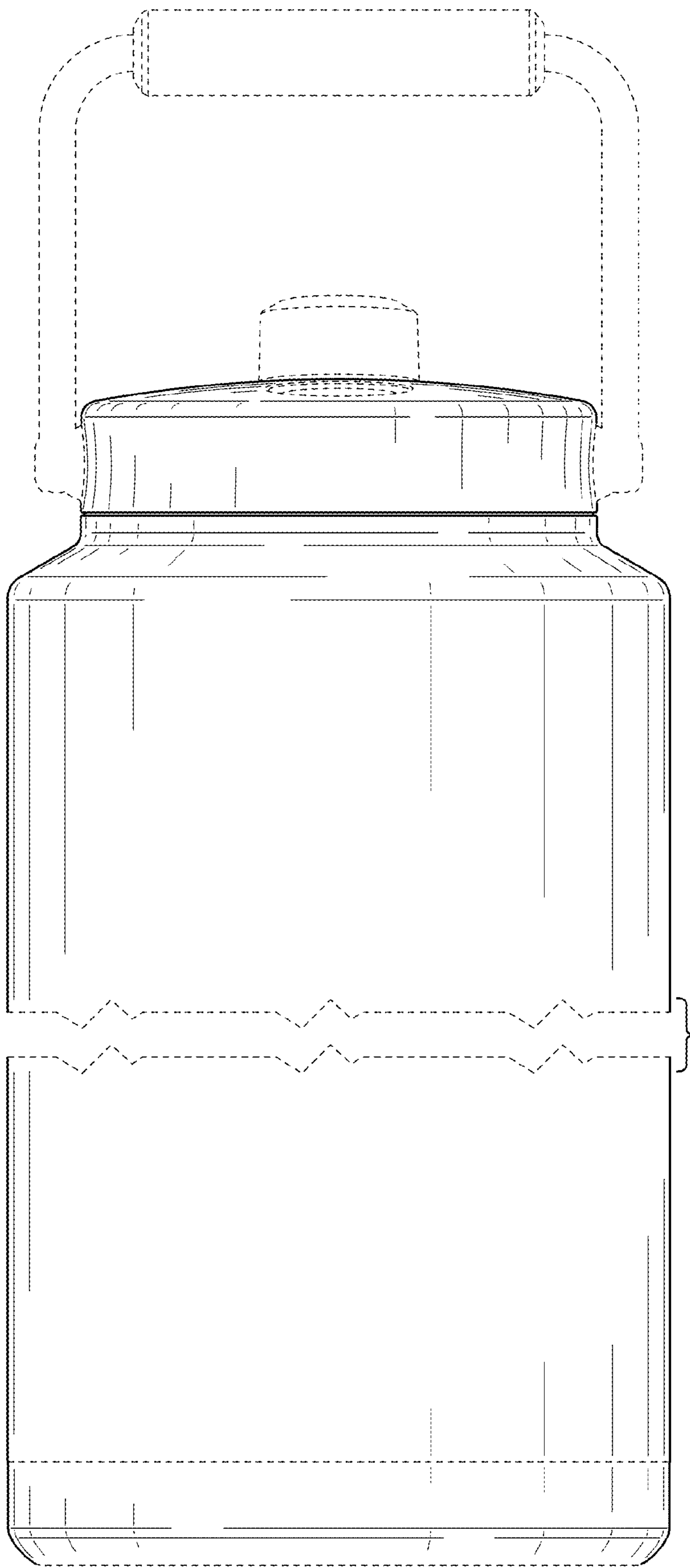


FIG. 3

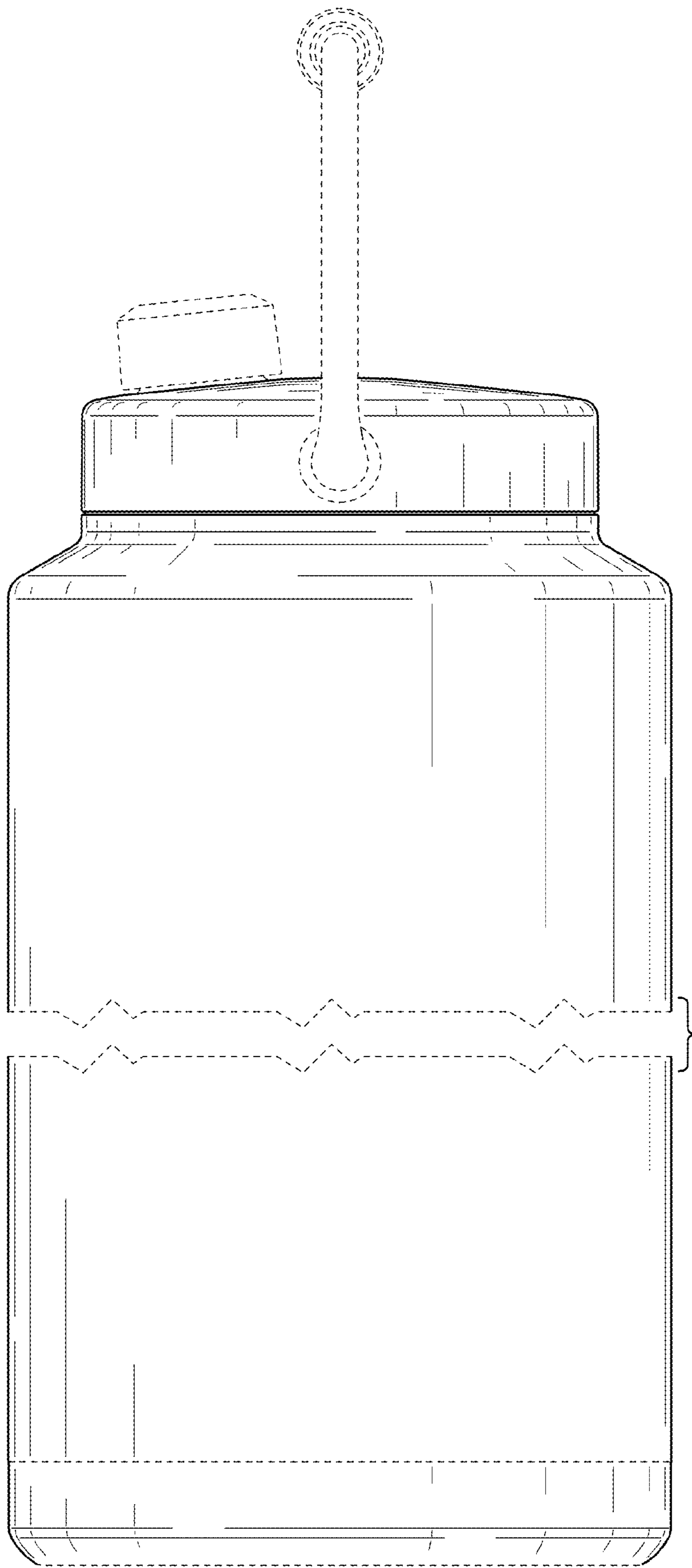


FIG. 4

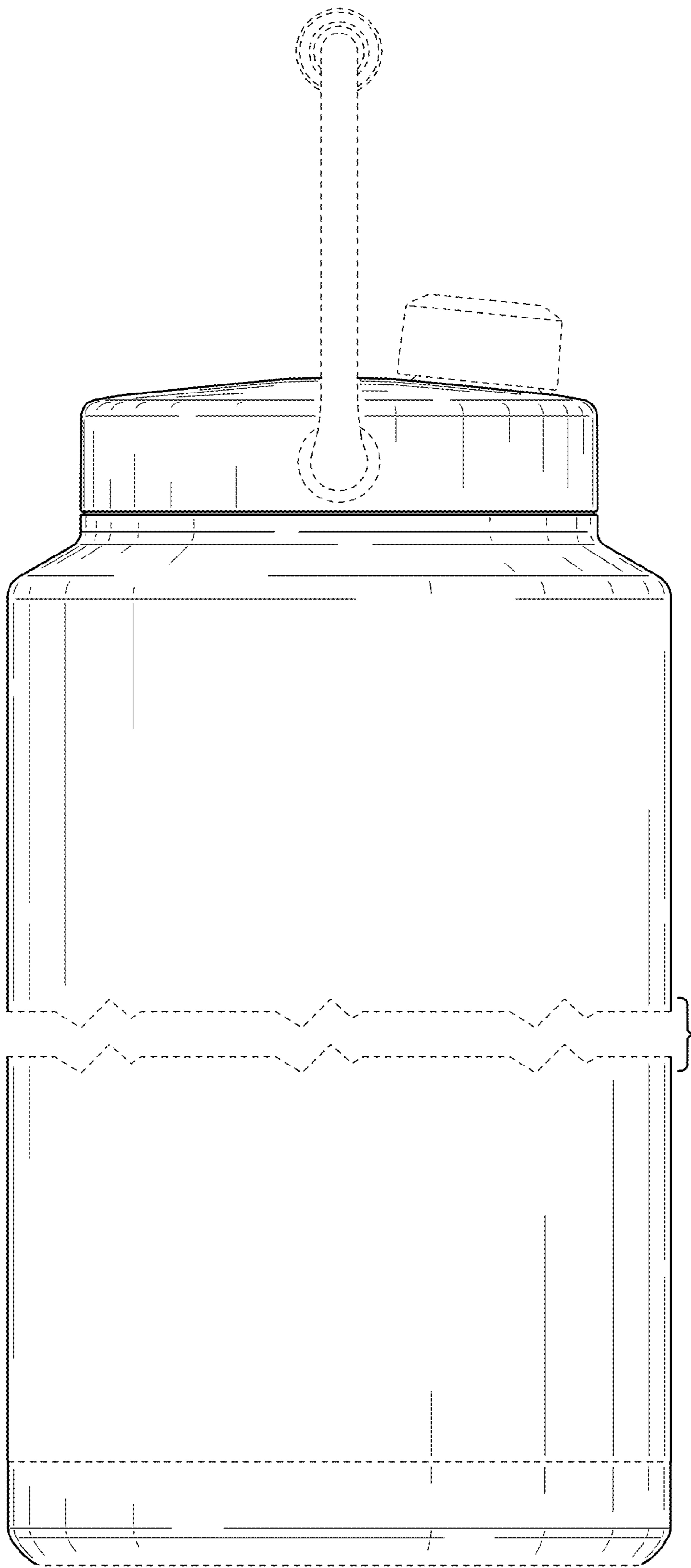


FIG. 5

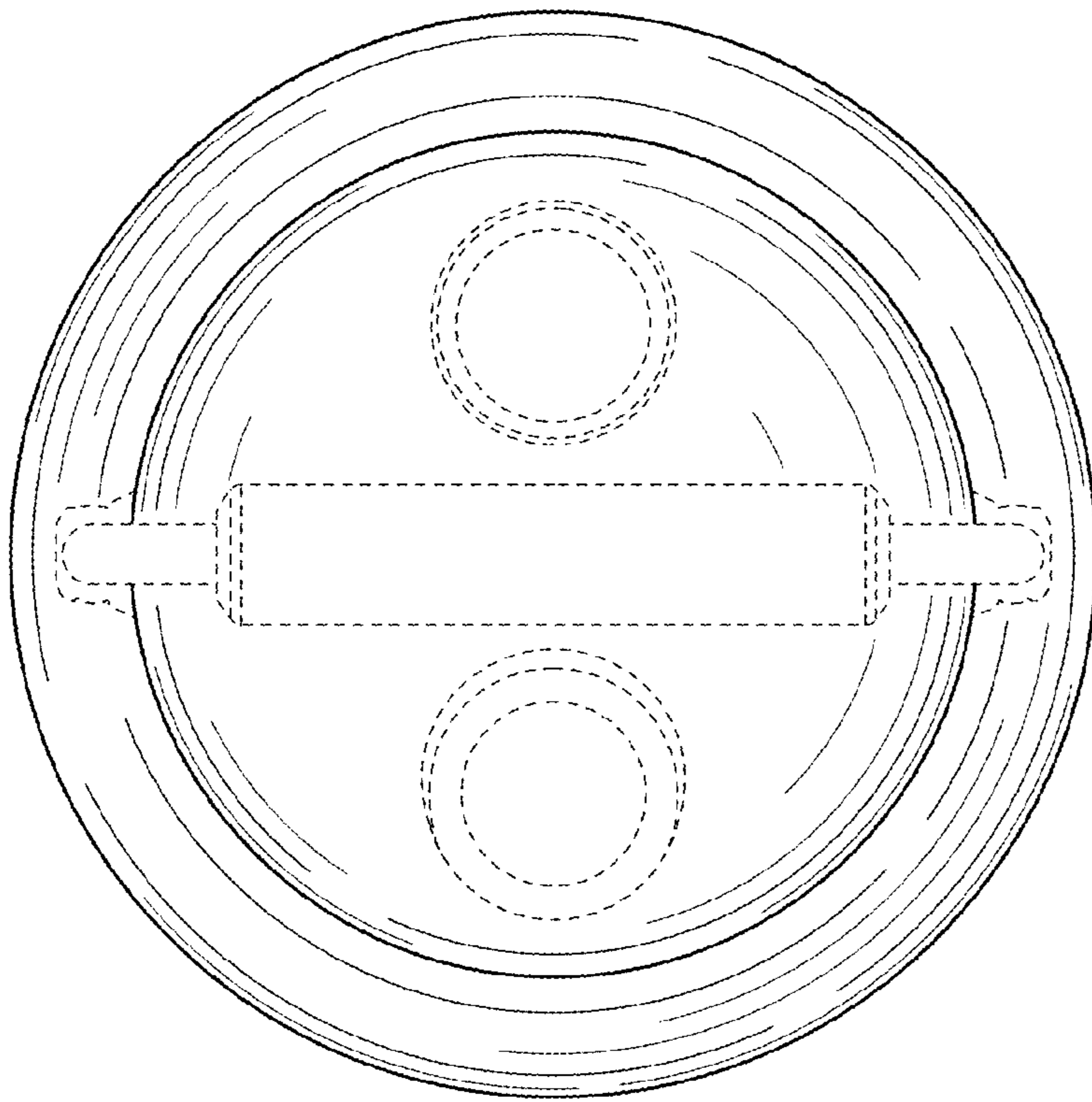


FIG. 6

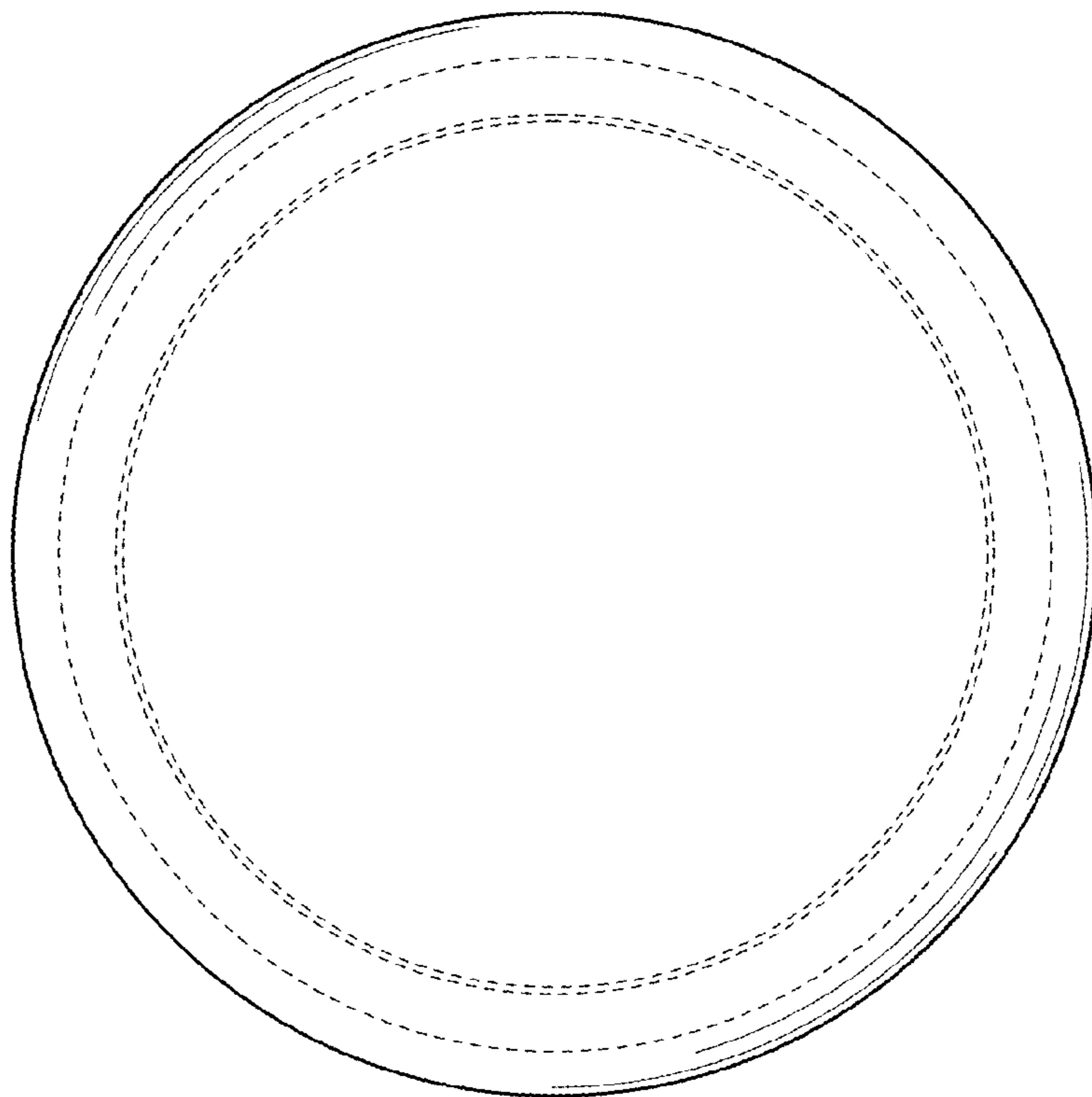


FIG. 7