



US00D876899S

(12) **United States Design Patent** (10) **Patent No.:** **US D876,899 S**
Pawluskiewicz et al. (45) **Date of Patent:** **** Mar. 3, 2020**

(54) **TRAY**
(71) Applicant: **Spectrum Diversified Designs, LLC**,
Streetsboro, OH (US)
(72) Inventors: **Jan Pawluskiewicz**, Seattle, WA (US);
Matthew Frank, Seattle, WA (US)
(73) Assignee: **SPECTRUM DIVERSIFIED**
DESIGNS, LLC, Streetsboro, OH (US)

(**) Term: **15 Years**
(21) Appl. No.: **29/665,512**
(22) Filed: **Oct. 4, 2018**
(51) **LOC (12) Cl.** **07-01**
(52) **U.S. Cl.**
USPC **D7/554.3**
(58) **Field of Classification Search**
USPC D3/304, 307-308, 312; D7/500, 550.1,
D7/554.3
CPC A47G 29/00; A45F 2200/05; B65D 1/34;
B65D 21/02; B65D 21/0209; B25H 3/06
See application file for complete search history.

(56) **References Cited**
U.S. PATENT DOCUMENTS
3,581,970 A * 6/1971 Colato A47G 23/06
220/626
D271,557 S * 11/1983 Schwarzli D7/363
D282,042 S * 1/1986 Gallagher D7/554.3
D400,404 S * 11/1998 Indekeu D7/554.3
D405,646 S * 2/1999 Indekeu D28/73
D431,958 S * 10/2000 Harris D7/354
D451,347 S * 12/2001 Kleckauskas D7/359
D462,231 S * 9/2002 Kari D7/354
D470,712 S * 2/2003 Swinford D7/360
D470,713 S * 2/2003 Swinford D7/360
D493,670 S * 8/2004 De Neubourg D7/554.3

D543,775 S * 6/2007 Orr, Jr. D7/390
D550,043 S * 9/2007 Brattoli 220/626
D581,203 S * 11/2008 Simon D7/354
D679,144 S * 4/2013 Holding D7/554.3
D683,191 S * 5/2013 Espinoza D7/554.3
D701,429 S * 3/2014 Krupa D7/552.1
D767,341 S * 9/2016 Koempel D7/554.3
D774,831 S * 12/2016 Gebhardt D7/554.3
D801,752 S * 11/2017 Mishan D7/554.3
D820,629 S * 6/2018 Lum D7/354

OTHER PUBLICATIONS

William Sonoma BBQ Marinade Tray | Williams Sonoma California web page, https://www.williams-sonoma.com/products/williams-sonoma-bbq-marinade-tray/?pkey=e%7Cbbq%2Btray%7C1%7Cbest%7C0%7C1%7C24%7C%7C1&cm_src=PRODUCTSEARCH, dated: Oct. 3, 2018, 2 pages.

Grill Prep Trays, Set of 2 | Williams Sonoma California web page, https://www.williams-sonoma.com/products/grill-prep-trays/?cm_src=AutoSchRel, dated: Oct. 3, 2018, 2 pages.

* cited by examiner

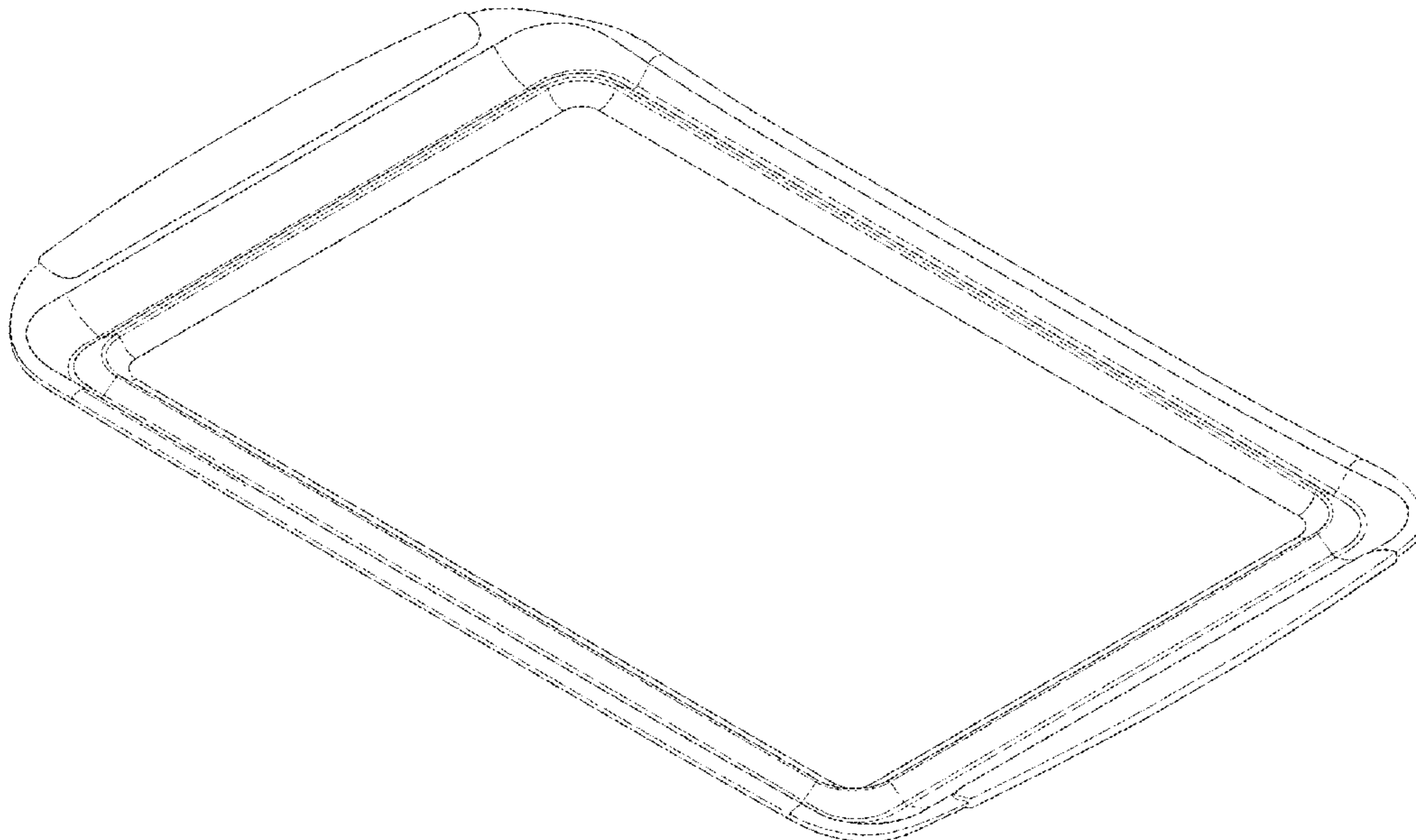
Primary Examiner — Kelley A Donnelly
(74) *Attorney, Agent, or Firm* — Tucker Ellis LLP

(57) **CLAIM**
The ornamental design for a tray, as shown and described.

DESCRIPTION

FIG. 1 is a perspective view of a tray showing our new design.
FIG. 2 is a top view thereof.
FIG. 3 is a bottom view thereof.
FIG. 4 is a front view thereof; a rear view being the same as the front view; and,
FIG. 5 is a left side view thereof; a right side view being the same as the left side view.

1 Claim, 4 Drawing Sheets



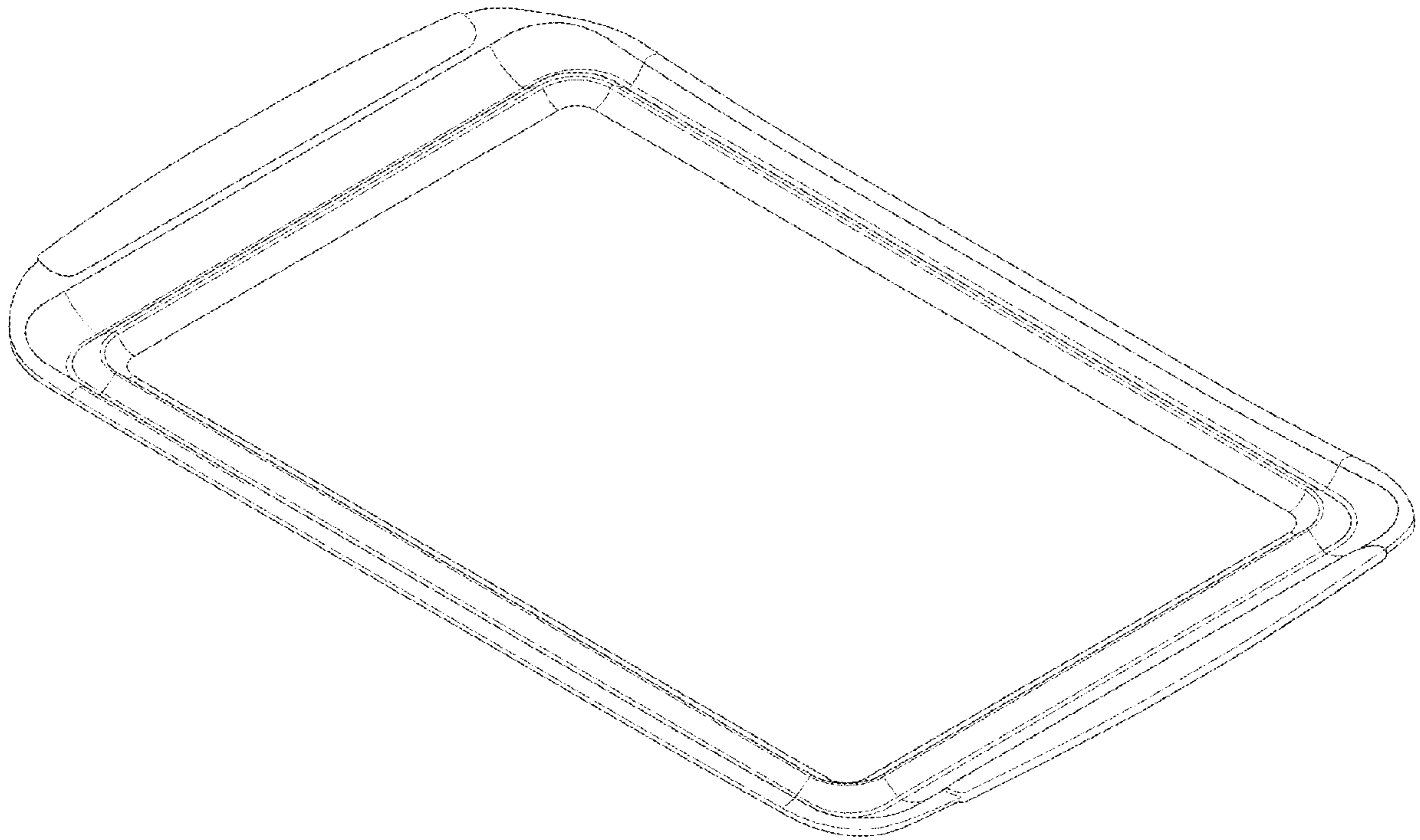


FIG. 1

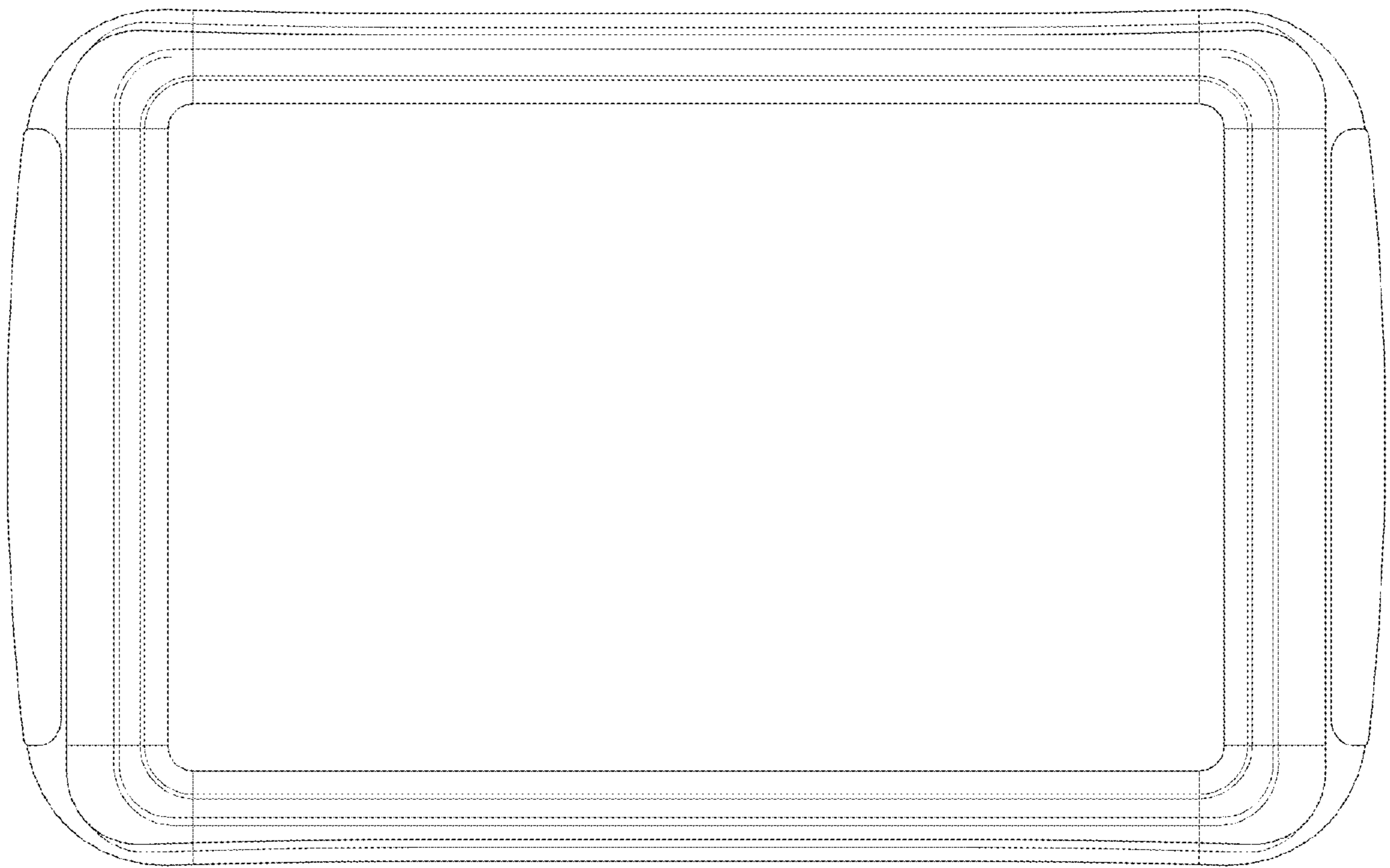


FIG. 2

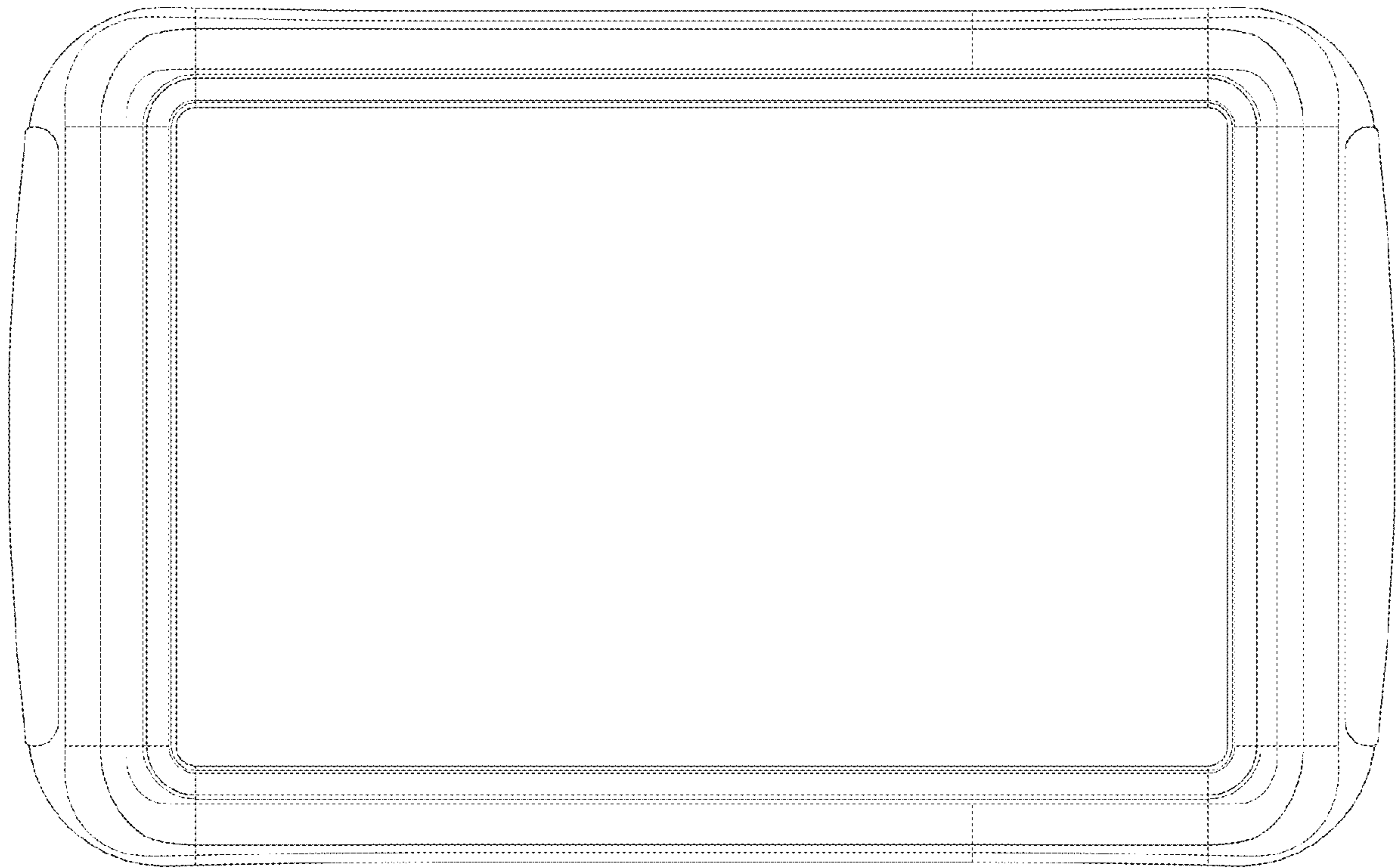


FIG. 3

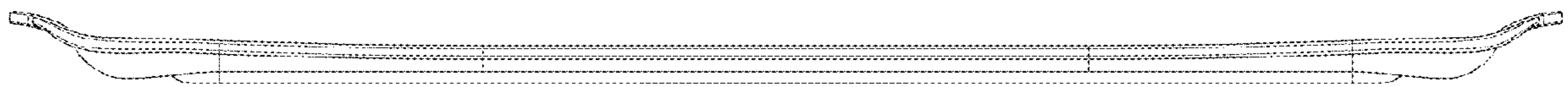


FIG. 4

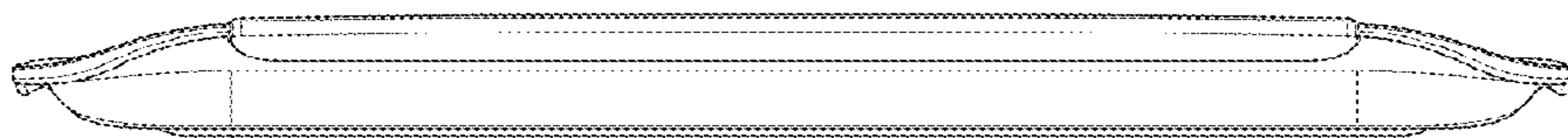


FIG. 5