



US00D876894S

(12) **United States Design Patent** (10) **Patent No.:** **US D876,894 S**
Boroski (45) **Date of Patent:** **** Mar. 3, 2020**

- (54) **BEVERAGE CONTAINER**
- (71) Applicant: **THERMOS L.L.C.**, Schaumburg, IL (US)
- (72) Inventor: **Dwayne Boroski**, Lake in the Hills, IL (US)
- (73) Assignee: **Thermos L.L.C.**, Schaumburg, IL (US)
- (**) Term: **15 Years**
- (21) Appl. No.: **29/637,544**
- (22) Filed: **Feb. 20, 2018**

D729,014 S *	5/2015	Nemeth	D7/533
D778,112 S *	2/2017	Szymanski	D7/510
D788,530 S *	6/2017	Kestenbaum	D7/509
D793,809 S *	8/2017	Bodum	D7/509
D808,802 S *	1/2018	Seiders	D9/440
D814,239 S *	4/2018	Arora	D7/510
D817,101 S *	5/2018	Kestenbaum	D7/536
D827,381 S *	9/2018	Boroski	D7/536
D839,672 S *	2/2019	Naber	D7/509
2013/0112696 A1 *	5/2013	Fenelon	A47G 19/2205 220/604

* cited by examiner

Primary Examiner — Derrick E Holland
Assistant Examiner — Andrew Kerr
(74) *Attorney, Agent, or Firm* — Polsinelli PC

Related U.S. Application Data

- (62) Division of application No. 29/587,505, filed on Dec. 13, 2016, now Pat. No. Des. 815,890.
- (51) **LOC (12) Cl.** **07-01**
- (52) **U.S. Cl.**
USPC **D7/510**
- (58) **Field of Classification Search**
USPC D7/507, 509–511, 523, 527, 529,
D7/531–536, 608, 300, 300.1, 300.2;
D9/503, 531, 435, 907
CPC A47G 19/22; A47G 19/2205; A47G
19/2222; A45F 3/16; A45F 3/20; B67D
7/06
See application file for complete search history.

(56) **References Cited**

U.S. PATENT DOCUMENTS

D674,663 S *	1/2013	Cahen	D7/510
D726,499 S *	4/2015	Kim	D7/510

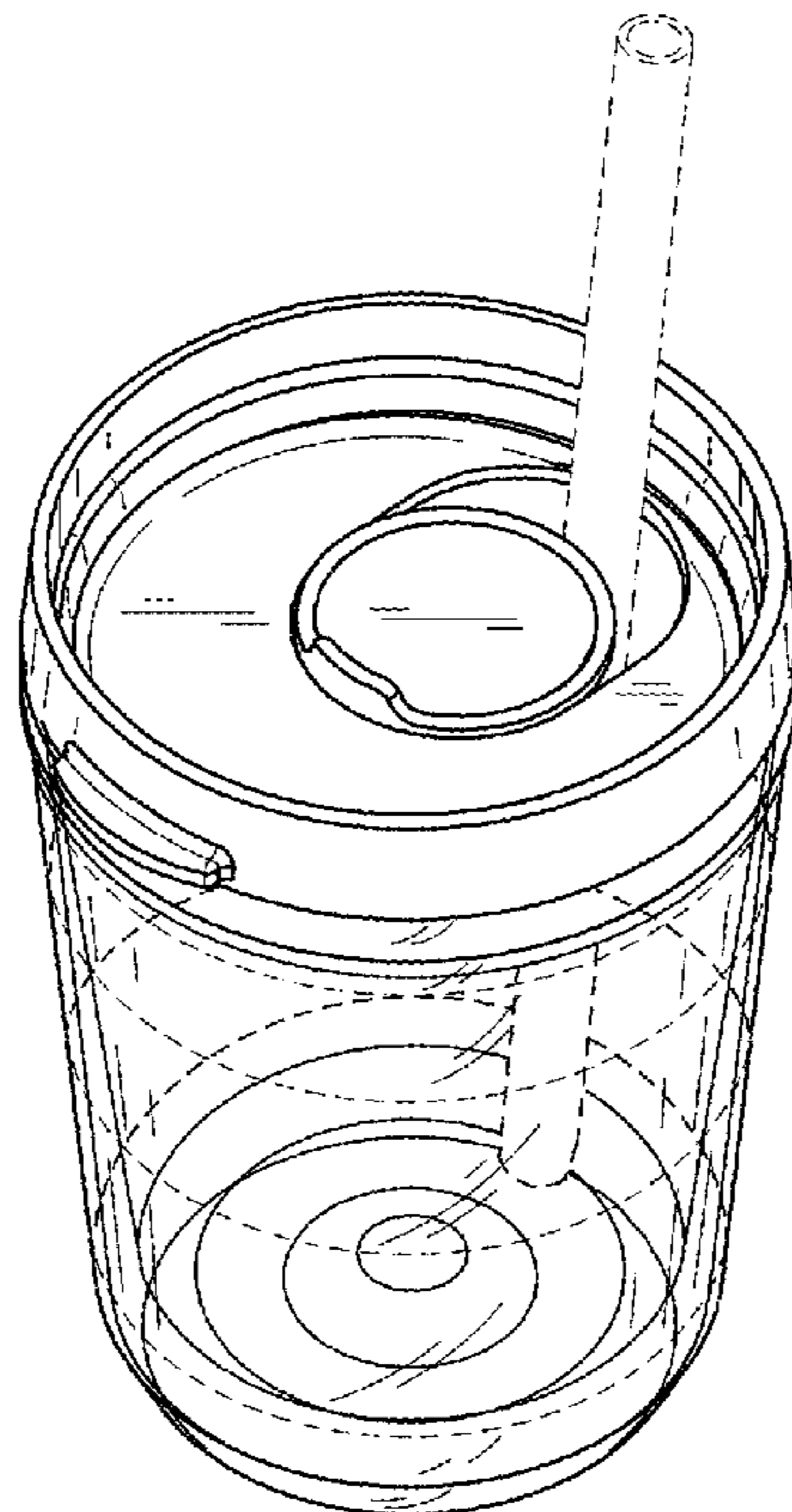
(57) **CLAIM**

The ornamental design for a beverage container, as shown and described.

DESCRIPTION

FIG. 1 is a perspective view of a beverage container, showing my new design;
FIG. 2 is a front view of the beverage container;
FIG. 3 is a rear view of the beverage container;
FIG. 4 is a left side view of the beverage container;
FIG. 5 is a right side view of the beverage container;
FIG. 6 is a top view of the beverage container; and,
FIG. 7 is a bottom view of the beverage container.
The broken lines showing in the figures are included for the purpose of illustrating portions of the beverage container that form no part of the claimed design, and the circumferential broken lines showing in the figures represent surface ornamentation that forms no part of the claimed design.

1 Claim, 4 Drawing Sheets



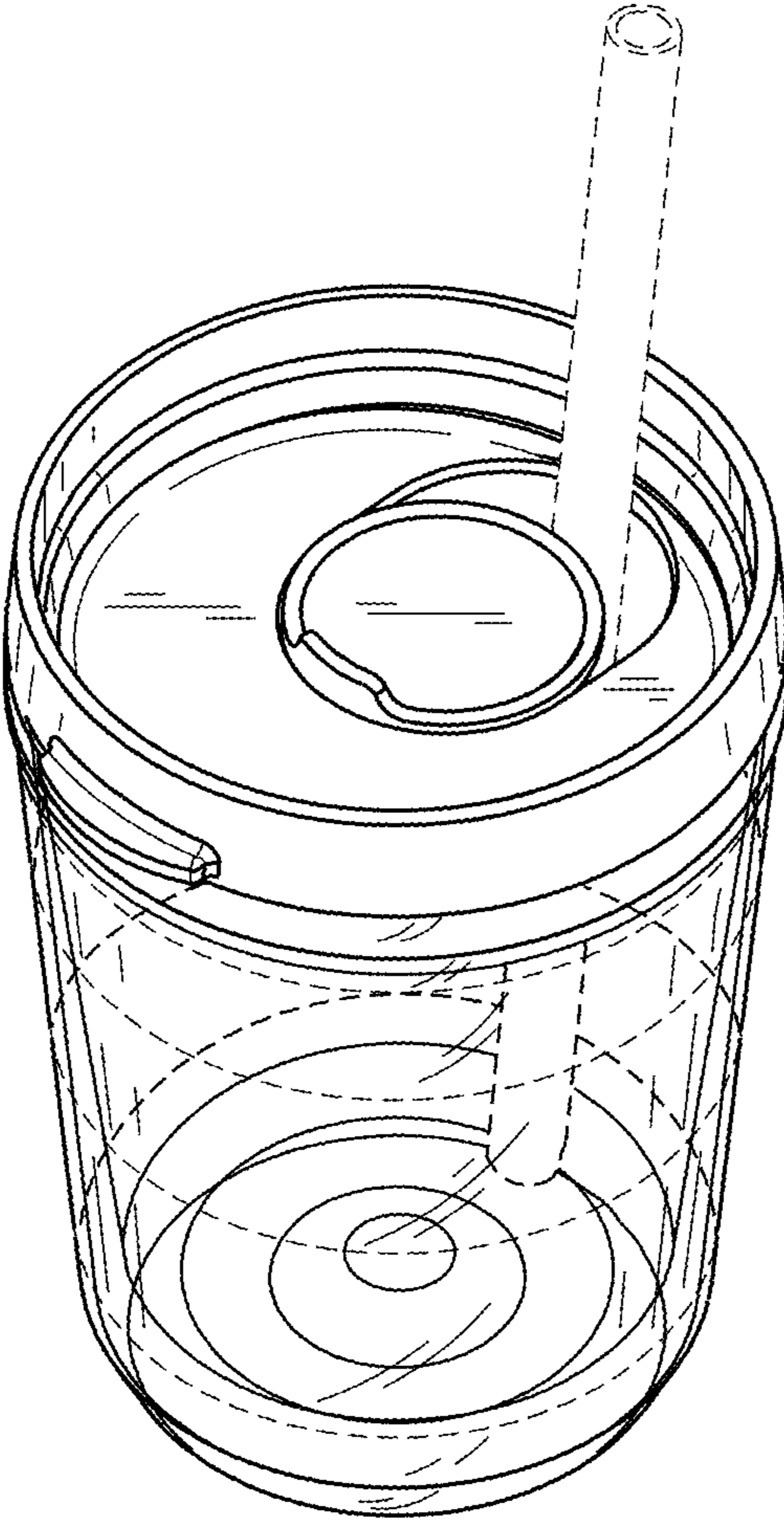


FIG. 1

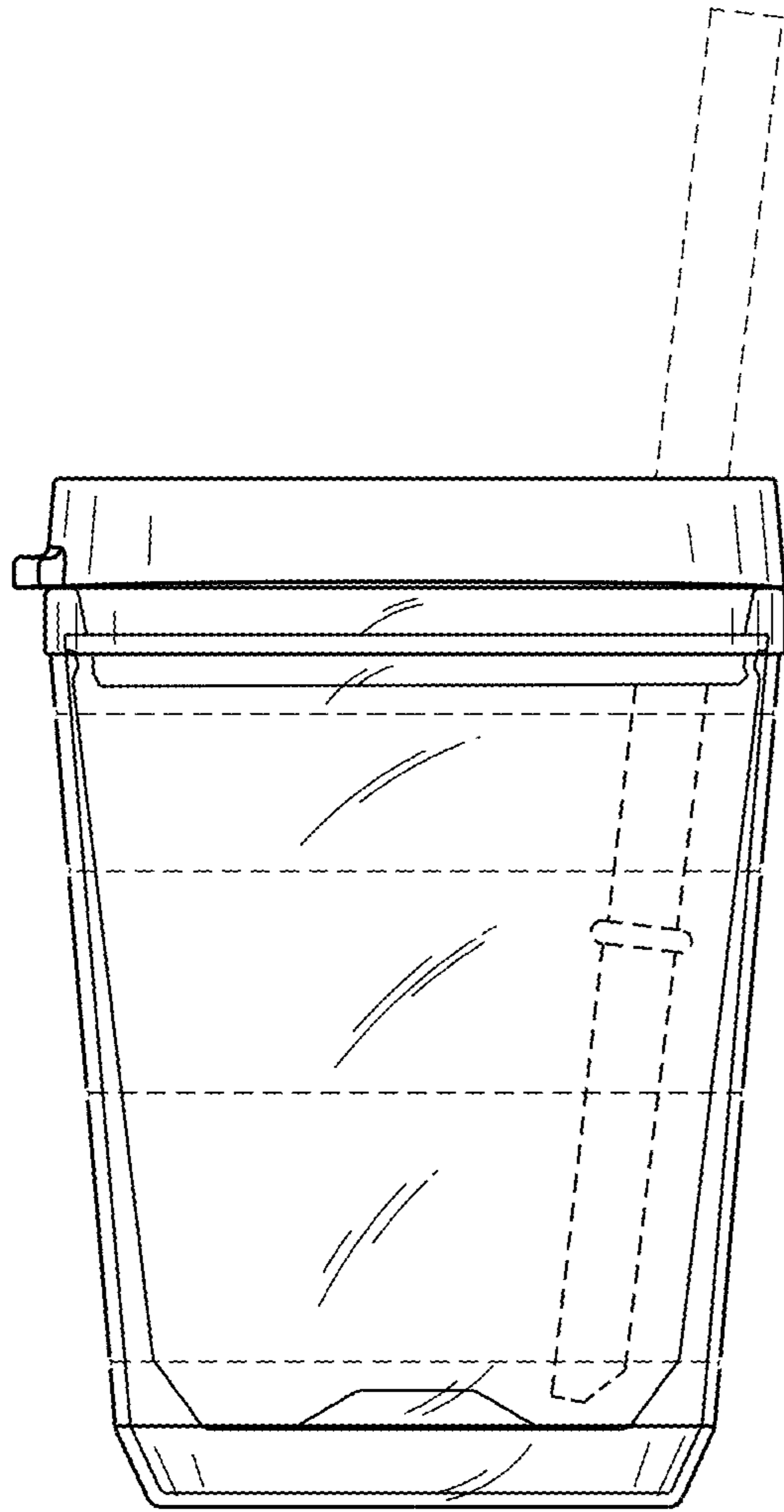


FIG. 2

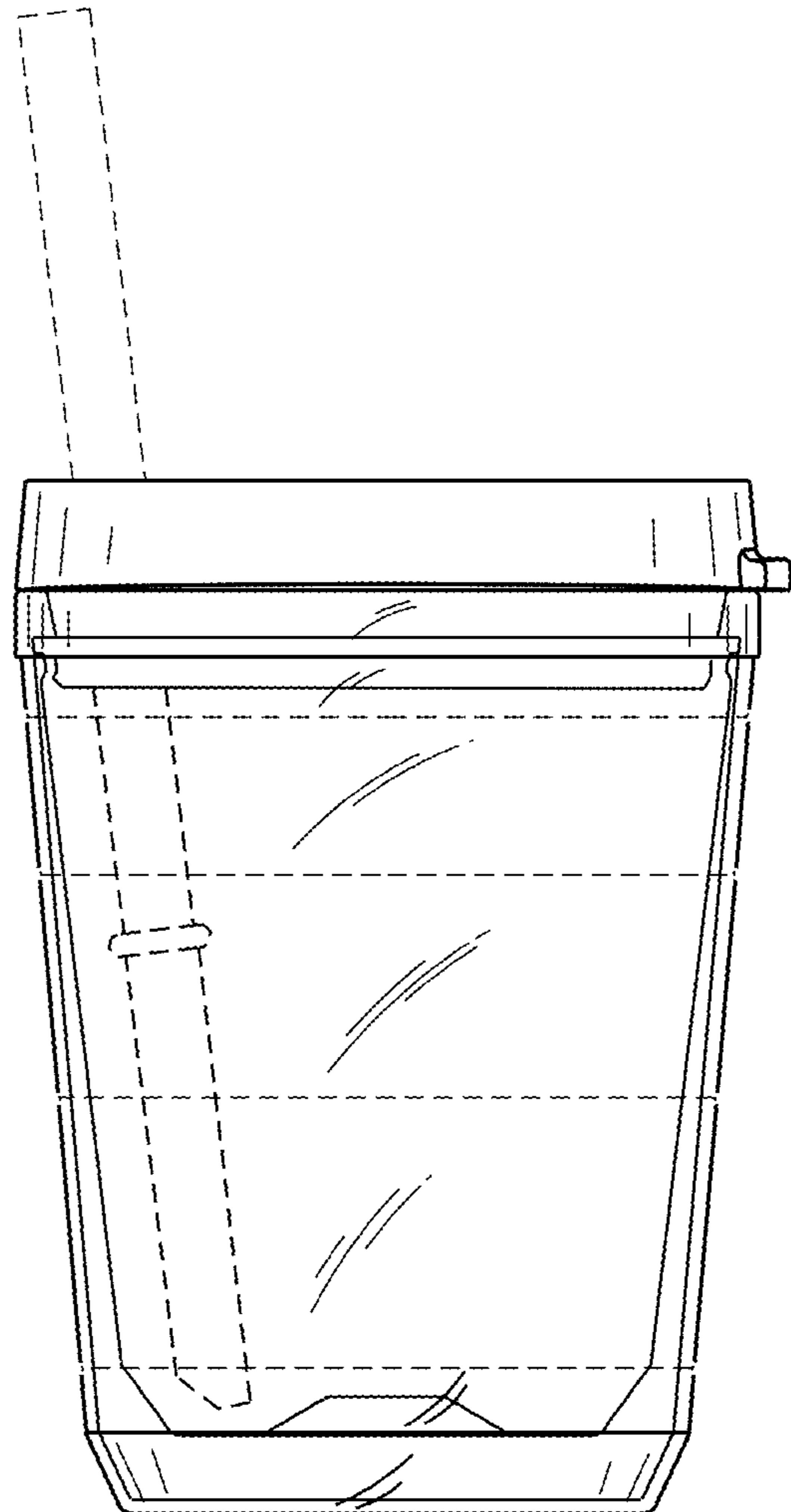


FIG. 3

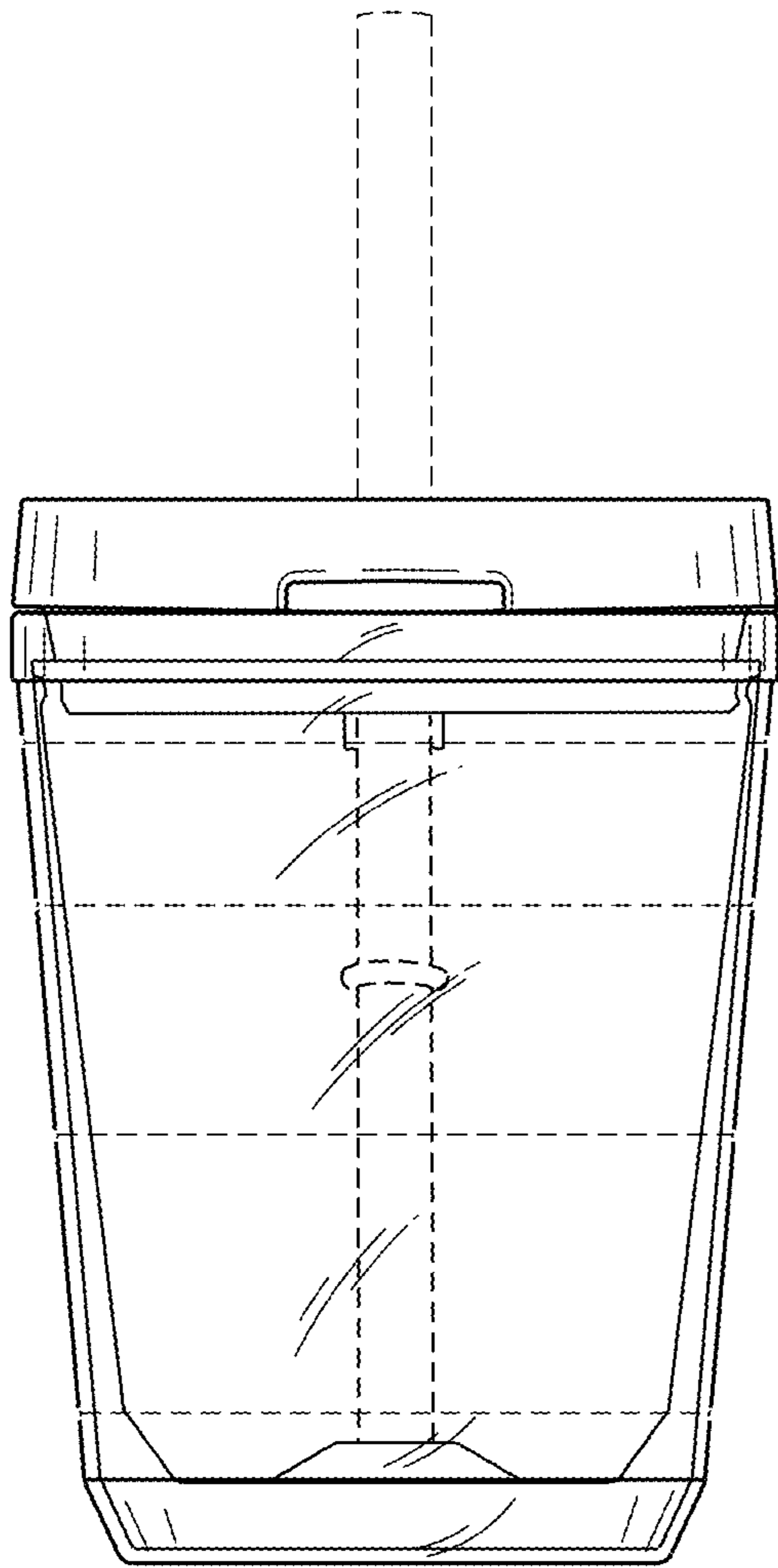


FIG. 4

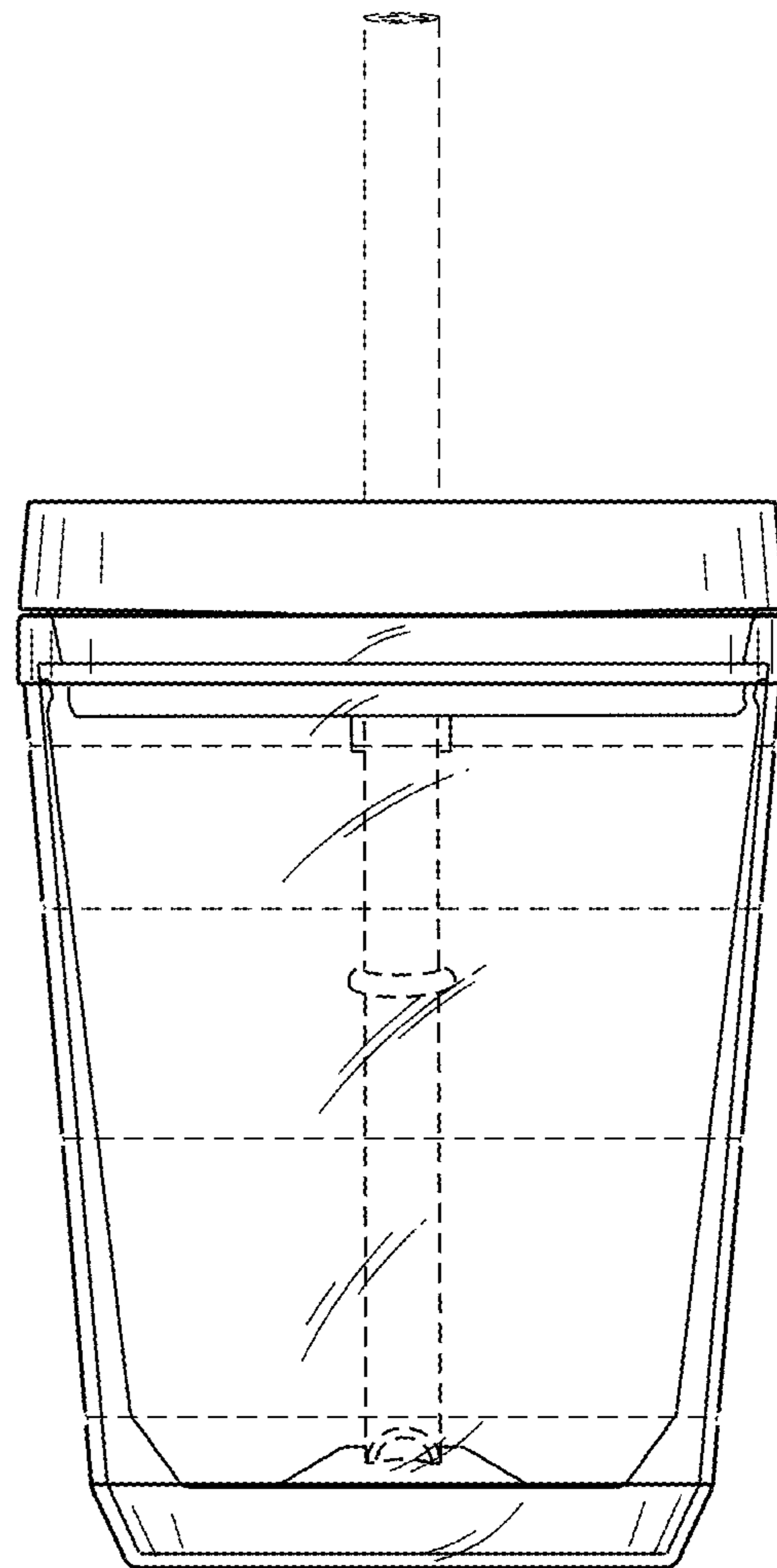


FIG. 5

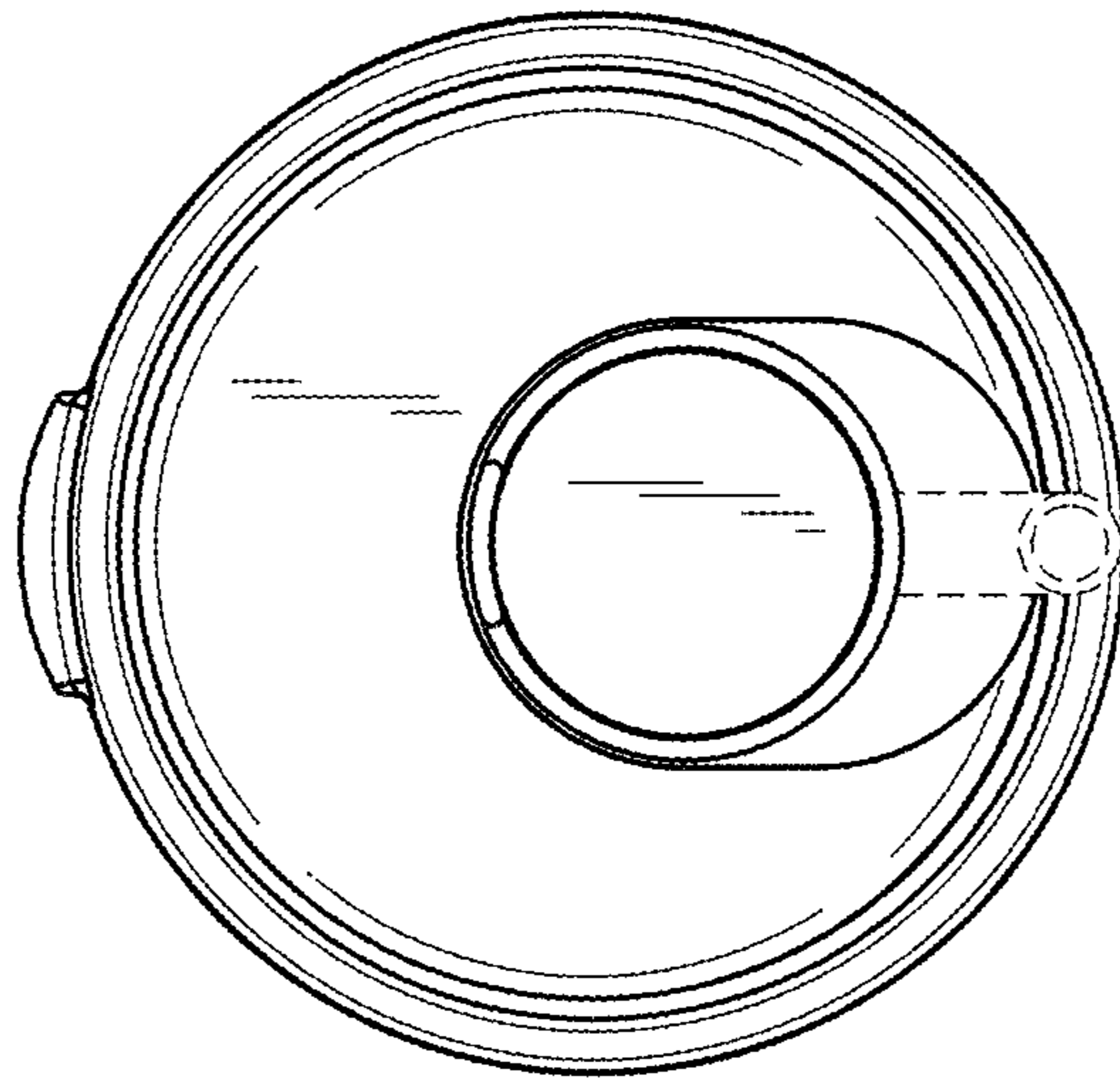


FIG. 6

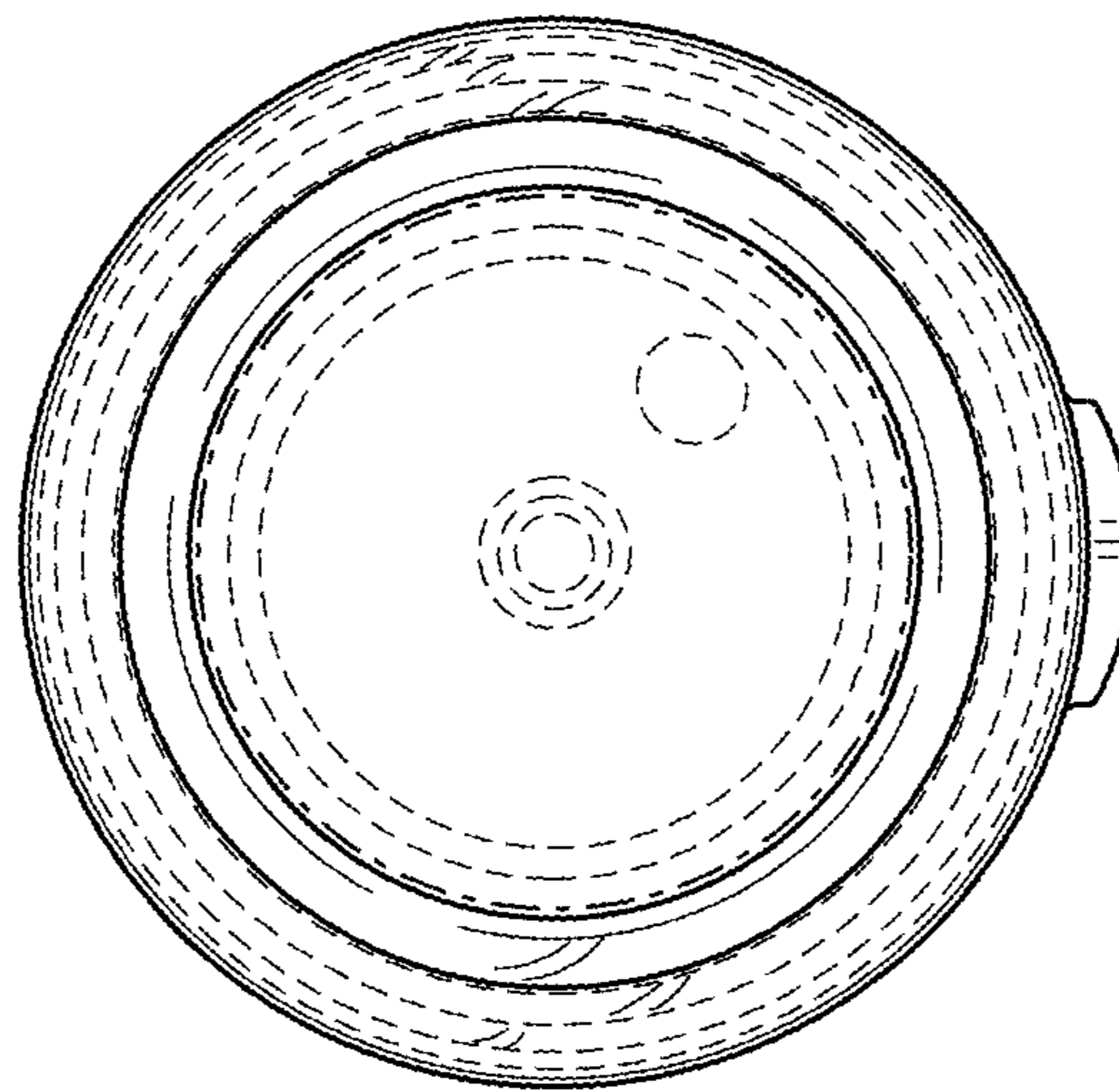


FIG. 7