



US00D876893S

(12) **United States Design Patent** (10) **Patent No.:** **US D876,893 S**
Xu (45) **Date of Patent:** **** Mar. 3, 2020**

(54) **CUP**
(71) Applicant: **De Quan Xu**, Hawthorn (AU)
(72) Inventor: **De Quan Xu**, Hawthorn (AU)
(73) Assignee: **De Quan XU**, Hawthorn (AU)
(**) Term: **15 Years**
(21) Appl. No.: **29/636,935**
(22) Filed: **Feb. 13, 2018**
(51) **LOC (12) Cl.** **07-01**
(52) **U.S. Cl.**
USPC **D7/510**
(58) **Field of Classification Search**
USPC D7/300, 300.1, 509, 510, 511, 523, 532,
D7/584, 396.2, 397; D9/516, 520, 544,
D9/559, 563, 564, 569, 435
CPC A45F 3/16; A45F 3/18; A47G 19/2266;
A47G 19/2272; B65D 47/066; B65D
43/02; B65D 41/04; A47J 43/27
See application file for complete search history.

8,276,776 B2 * 10/2012 Roth A47G 19/22
220/254.1
D721,540 S * 1/2015 Grcic D7/511
D779,269 S * 2/2017 Crosby D7/213
2004/0031714 A1 * 2/2004 Hanson B65D 1/265
206/505

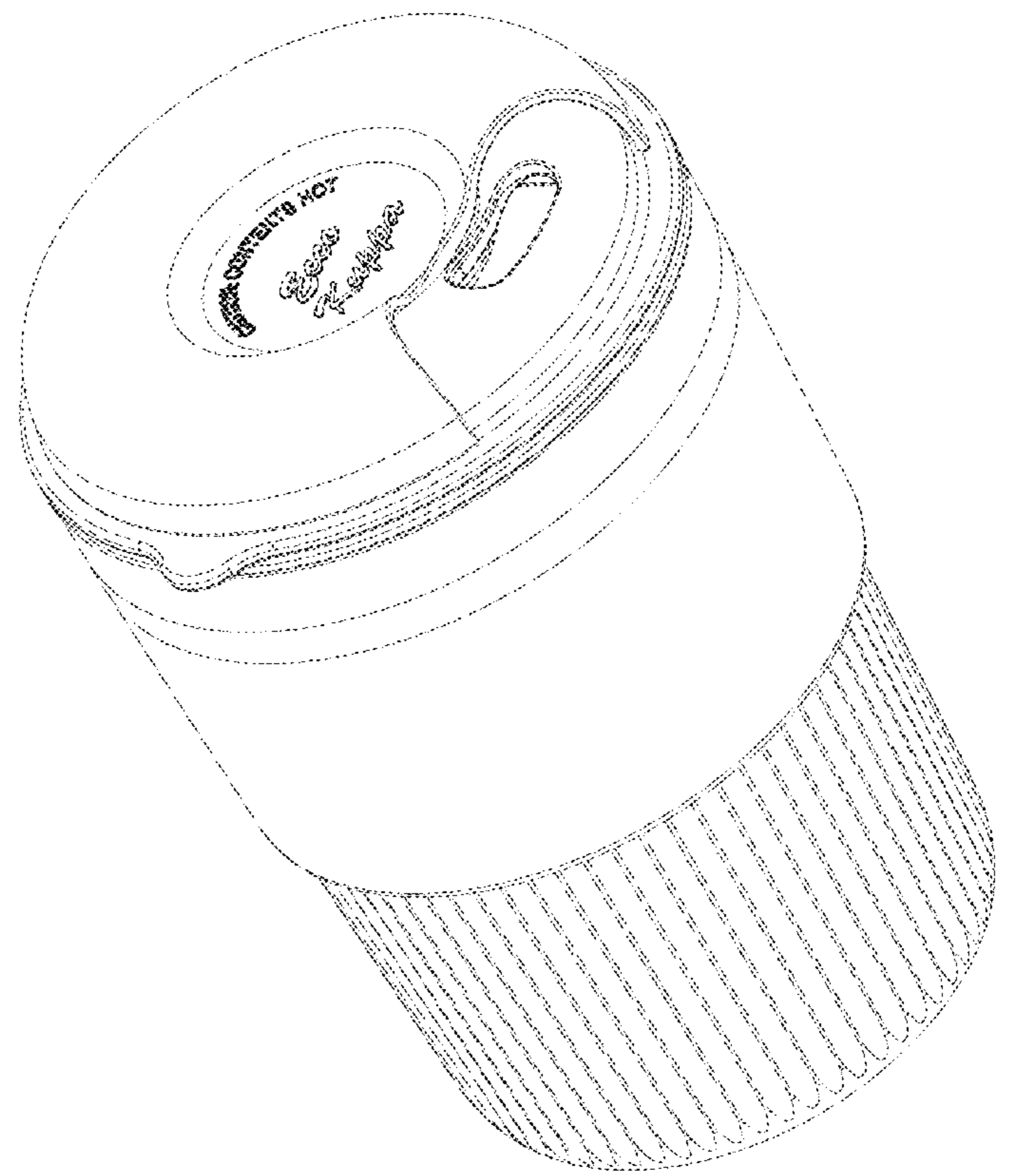
* cited by examiner
Primary Examiner — Derrick E Holland
Assistant Examiner — Andrew Kerr
(74) *Attorney, Agent, or Firm* — Platinum Intellectual
Property LLP

(57) **CLAIM**
The ornamental design for a cup, as shown.

DESCRIPTION
FIG. 1 is a perspective view of a cup showing my new design;
FIG. 2 is a front view thereof;
FIG. 3 is a rear view thereof;
FIG. 4 is a left side view thereof;
FIG. 5 is a right side view thereof;
FIG. 6 is an enlarged top view thereof;
FIG. 7 is an enlarged bottom view thereof; and,
FIG. 8 is another perspective view thereof with the upper part rotated.
The broken lines shown in FIGS. 1-2 and 4-8 are for the purpose of illustrating portions of the cup only and form no part of the claimed design.

(56) **References Cited**
U.S. PATENT DOCUMENTS
D494,815 S * 8/2004 Bodum D7/510
7,156,251 B2 * 1/2007 Smith B65D 43/0212
220/253
7,246,716 B2 * 7/2007 Durdon B65D 43/24
215/387

1 Claim, 8 Drawing Sheets



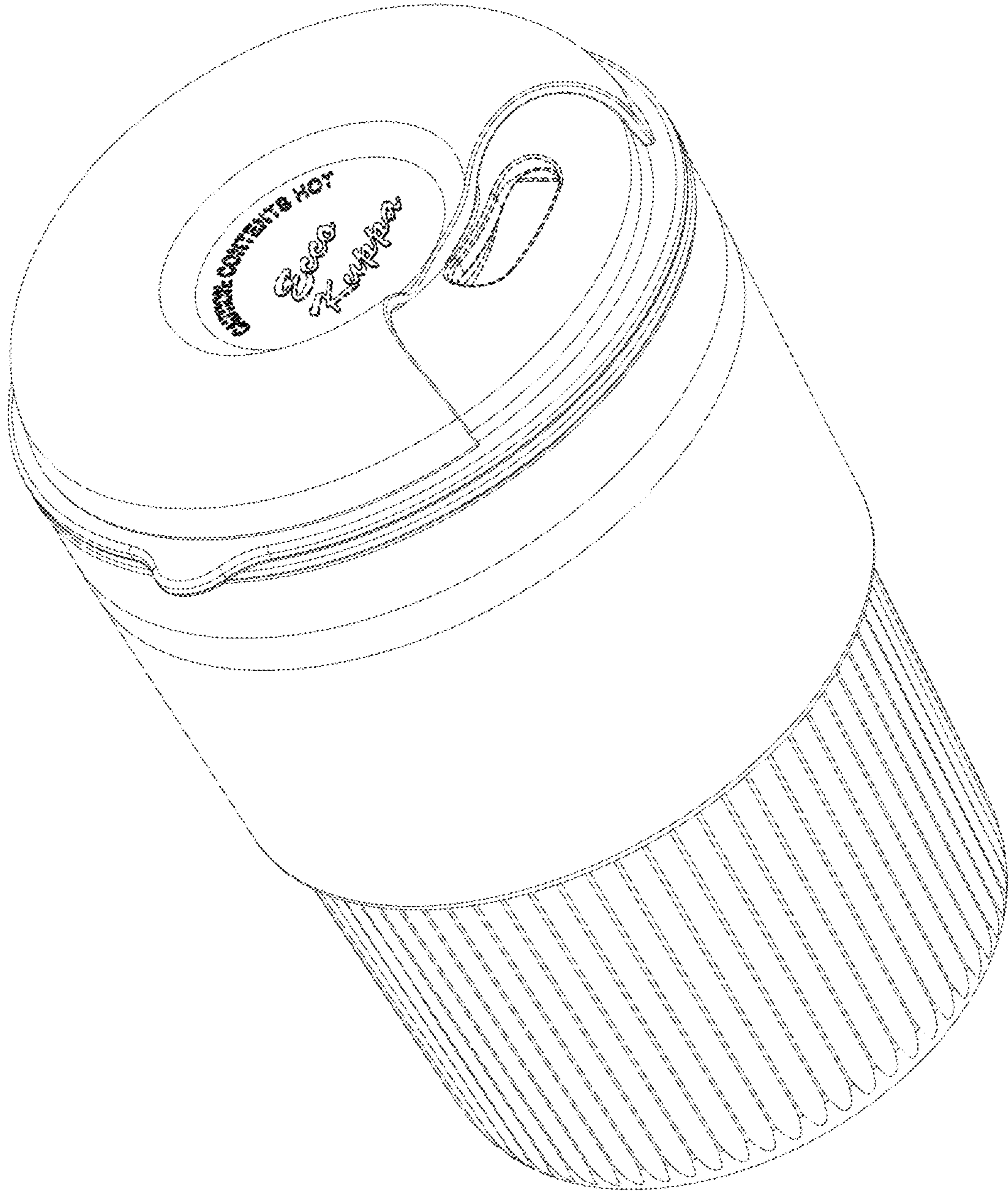


FIG. 1

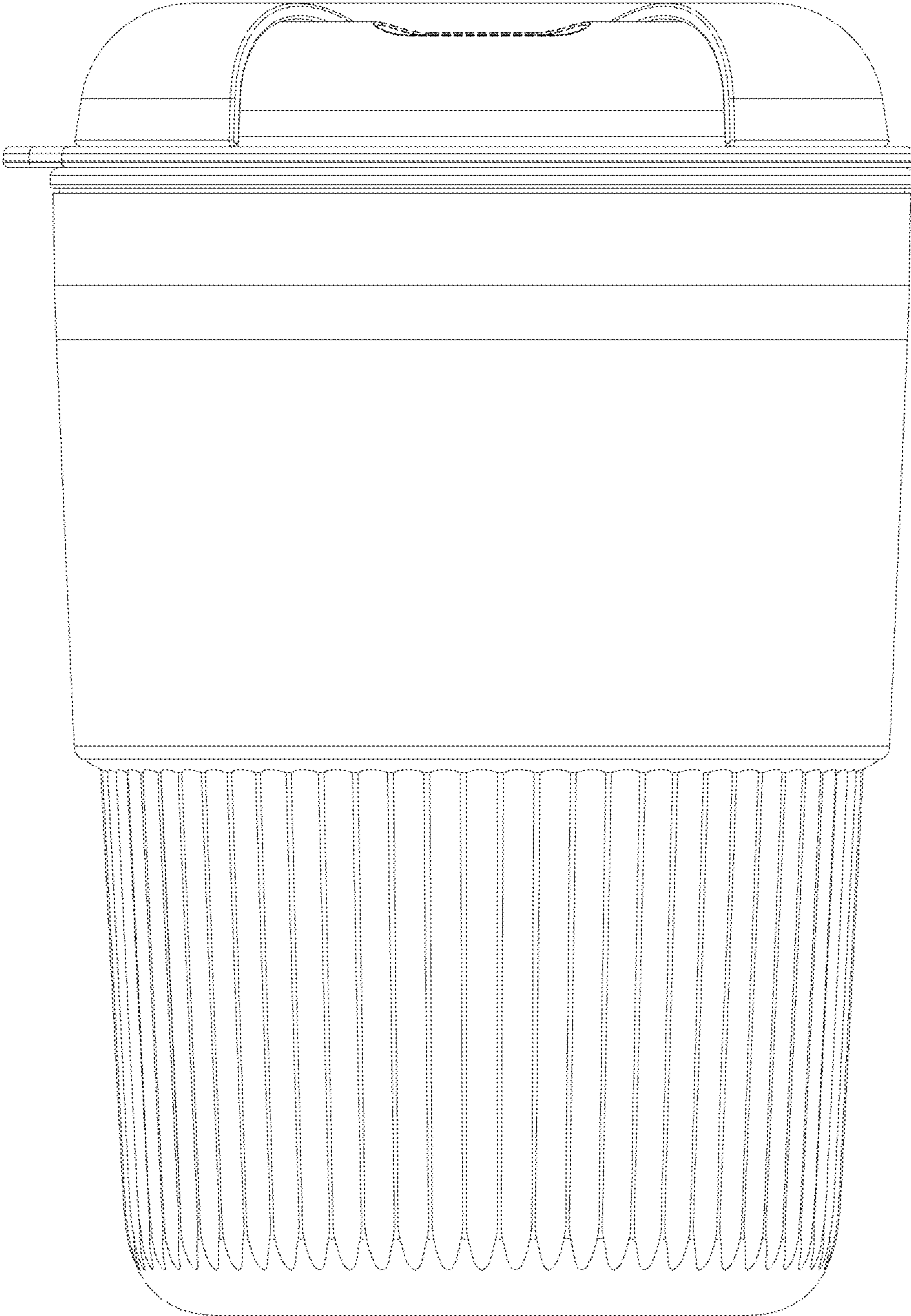


FIG. 2

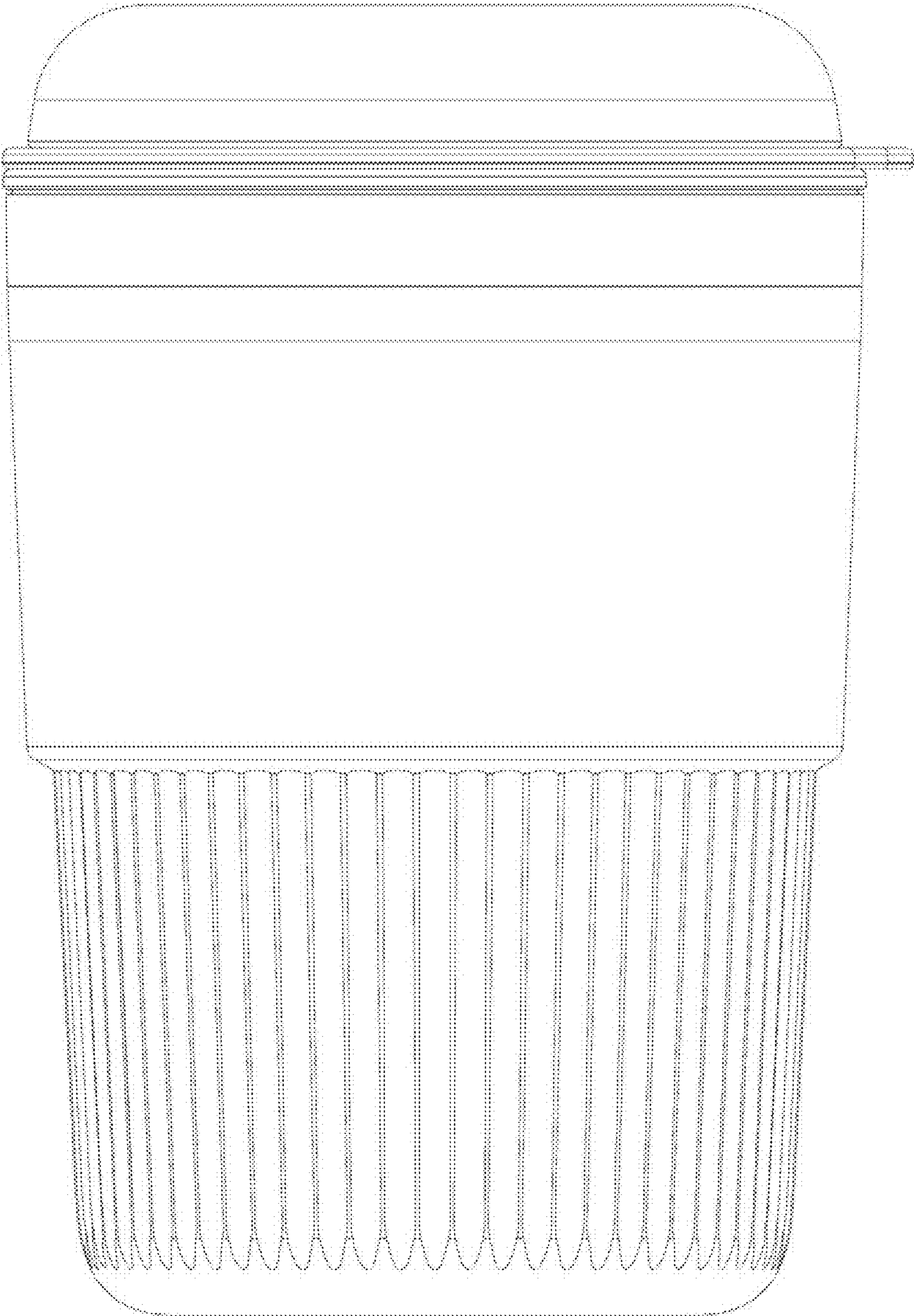


FIG. 3

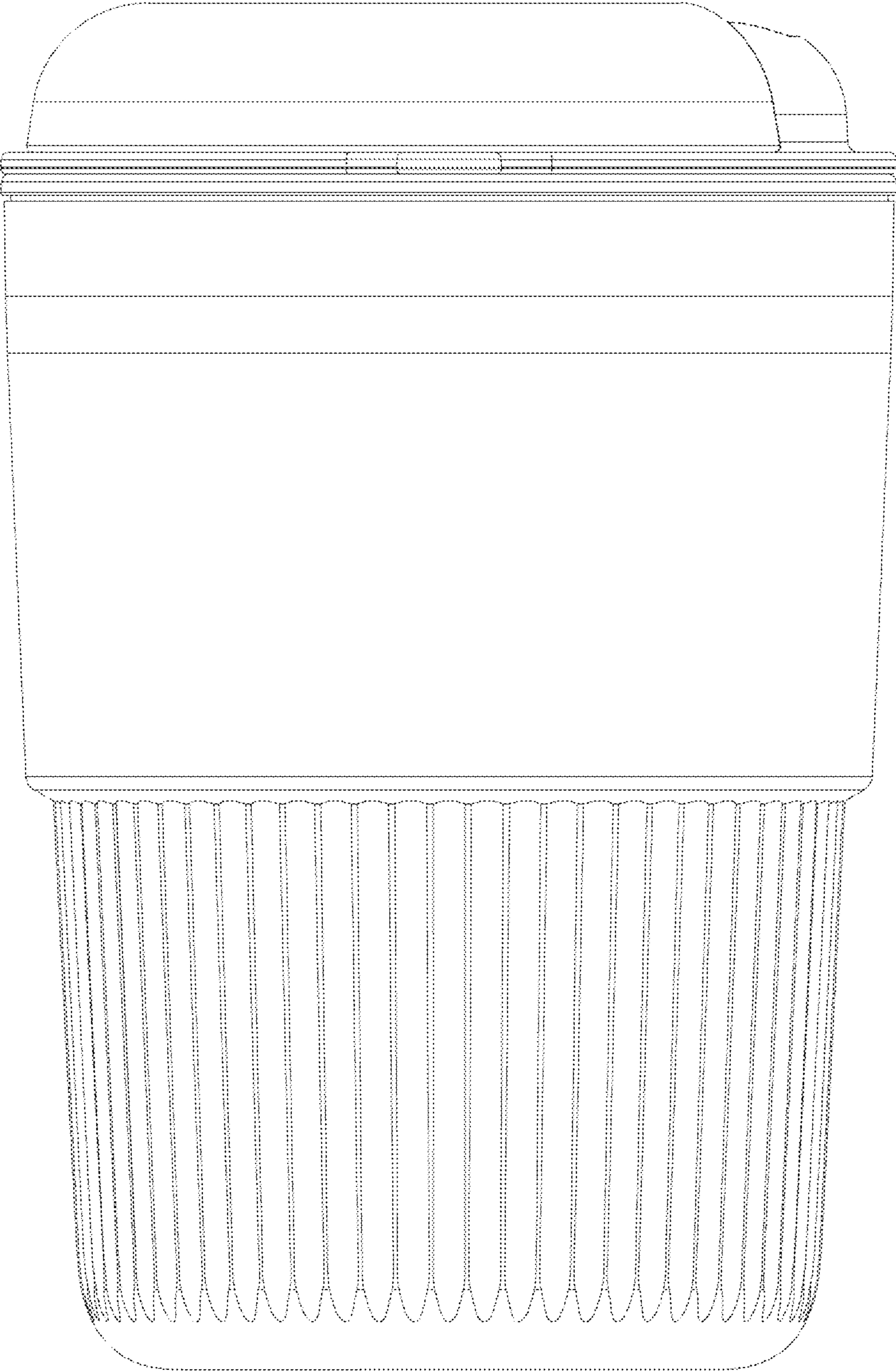


FIG. 4

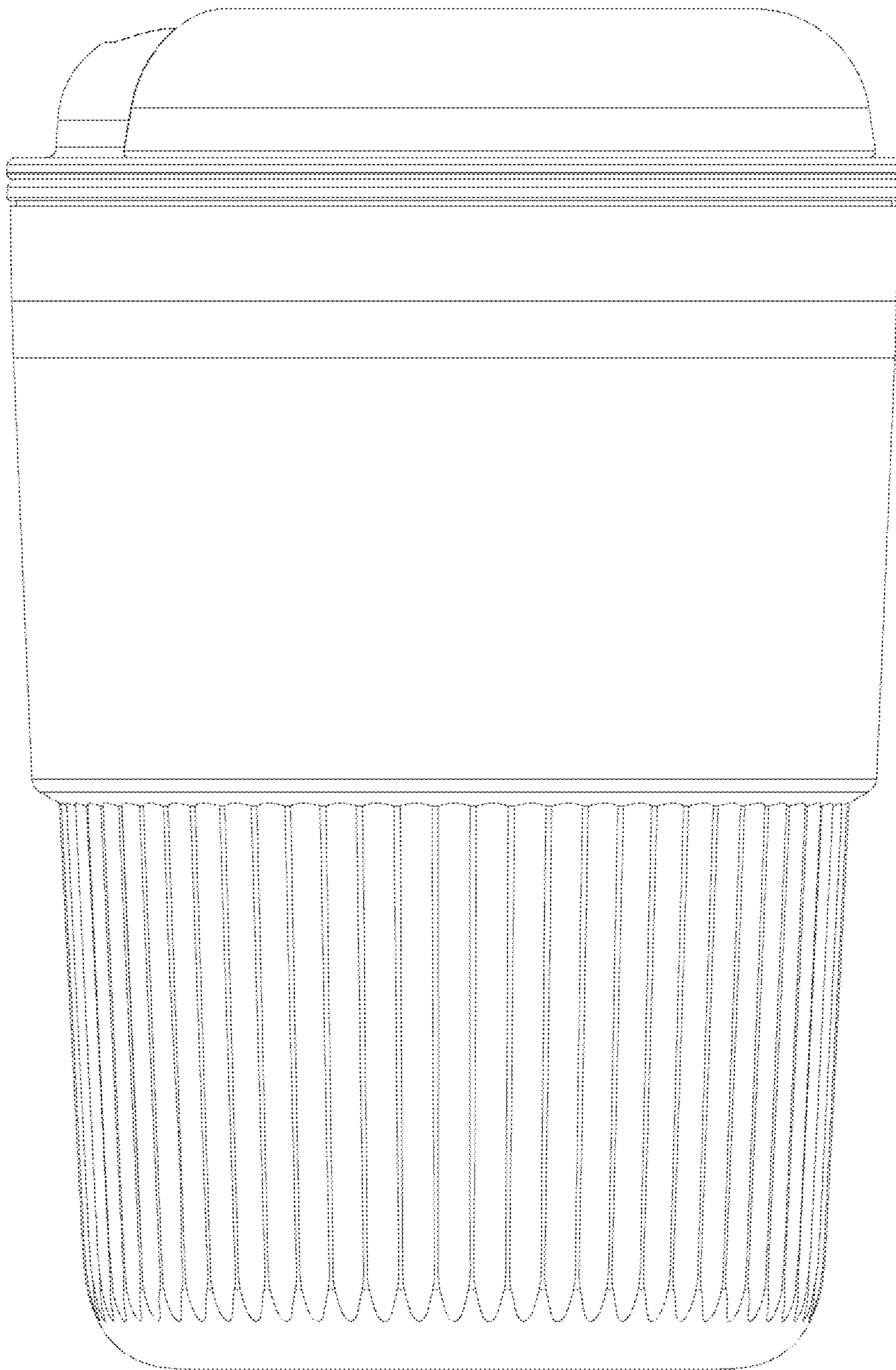


FIG. 5

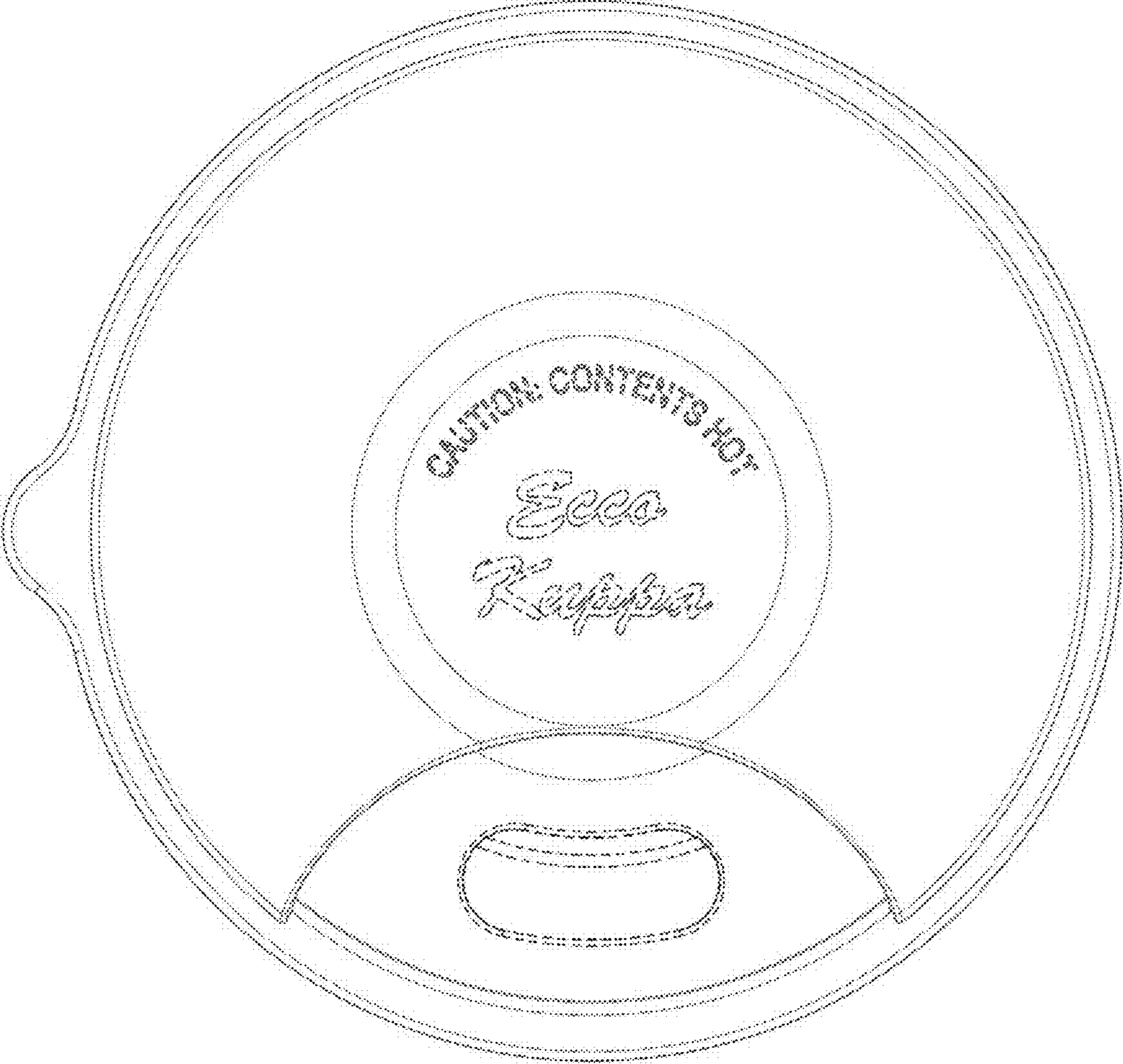


FIG. 6

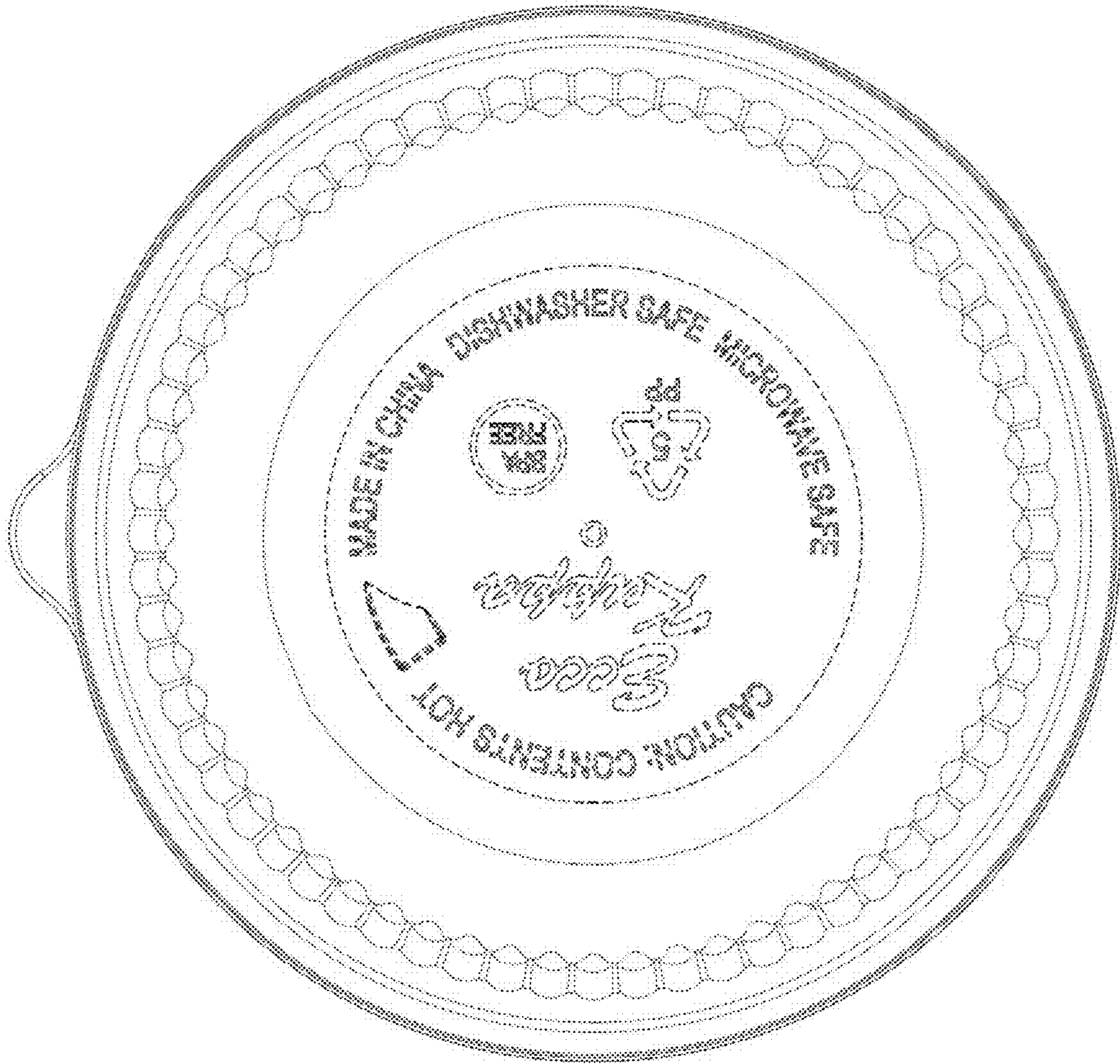


FIG. 7

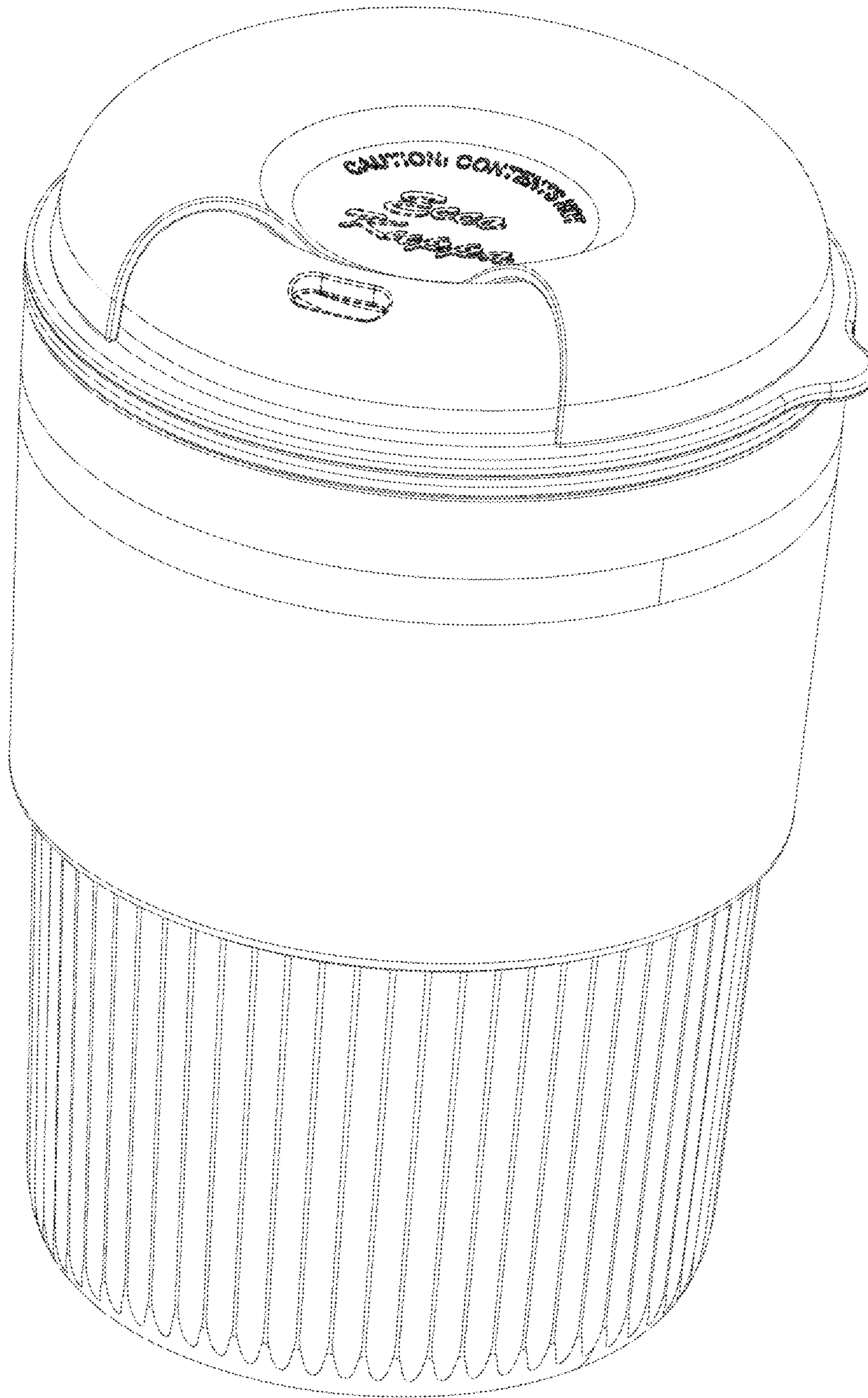


FIG. 8