



US00D876892S

(12) **United States Design Patent**  
**Schwartz et al.**

(10) **Patent No.:** **US D876,892 S**

(45) **Date of Patent:** **\*\* Mar. 3, 2020**

(54) **SIPPY CUP**

(71) Applicants: **David L. Schwartz**, McCordsville, IN (US); **Laura C. Schwartz**, McCordsville, IN (US)

(72) Inventors: **David L. Schwartz**, McCordsville, IN (US); **Laura C. Schwartz**, McCordsville, IN (US)

(\*\*) Term: **15 Years**

(21) Appl. No.: **29/662,712**

(22) Filed: **Sep. 7, 2018**

(51) **LOC (12) Cl.** ..... **07-01**

(52) **U.S. Cl.**  
USPC ..... **D7/509**; D7/534; D7/510

(58) **Field of Classification Search**  
USPC ..... D7/507, 509, 510, 511, 514, 515, 516, D7/519, 523, 533, 534, 535, 536, 608, D7/300.1, 300.2, 629, 300, 401.1, 392.1, D7/396.2; D9/500, 501, 502, 503, 504, D9/435, 436; D24/197  
CPC ..... A47G 19/22; A47G 19/2288; A47G 19/2205; A47G 19/2211; A47G 19/2266; A47G 19/2272; B65D 47/066; A45F 3/16; A47J 41/02; A47J 41/0088  
See application file for complete search history.

(56) **References Cited**

**U.S. PATENT DOCUMENTS**

D454,642 S *	3/2002	Hakim .....	A61J 9/00 D24/197
D462,449 S *	9/2002	Morano .....	D24/197
D464,434 S *	10/2002	Morano .....	D24/197
D515,867 S *	2/2006	Randolph .....	D7/392.1
D565,903 S *	4/2008	Bodum .....	D7/500
D568,156 S *	5/2008	Wilson .....	D9/428
D579,722 S *	11/2008	Sakulsacha .....	D7/510
D642,435 S *	8/2011	Schofield .....	D24/197

D679,948 S *	4/2013	Meyer .....	D24/197
D686,739 S *	7/2013	Boonprasop .....	D24/197
D688,524 S *	8/2013	Hsu .....	D24/197
D713,687 S *	9/2014	Lv .....	D7/510
D740,667 S *	10/2015	Marasligiller .....	D9/523
D750,439 S *	3/2016	Saxton .....	D7/509
D796,906 S *	9/2017	Schlegel .....	D7/510
D819,401 S *	6/2018	Parker .....	D7/510
D822,438 S *	7/2018	Chung .....	D7/510
D825,271 S *	8/2018	Valderrama .....	D7/534
D833,816 S *	11/2018	Chung .....	D7/510
D840,748 S *	2/2019	Lv .....	D7/392.1
D848,217 S *	5/2019	Wall .....	D7/534
D850,208 S *	6/2019	Han .....	D7/510
2010/0127005 A1 *	5/2010	Sanbrook .....	A47G 19/2266 220/705
2015/0076050 A1 *	3/2015	May .....	B01D 35/02 210/232
2017/0065111 A1 *	3/2017	Phipps .....	A47G 19/2272

\* cited by examiner

*Primary Examiner* — Jae Liang

(74) *Attorney, Agent, or Firm* — Renner, Otto, Boisselle & Sklar, LLP

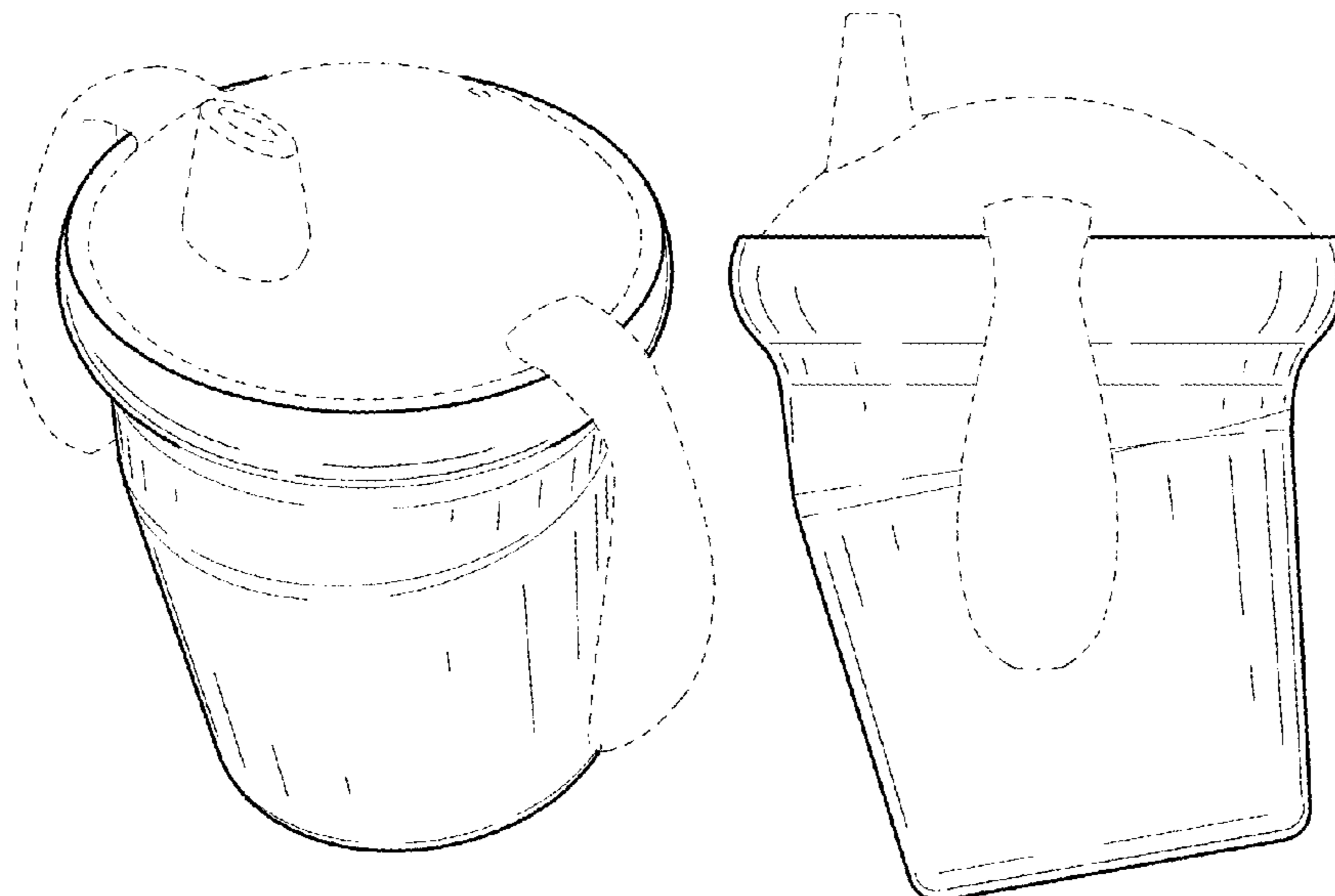
(57) **CLAIM**

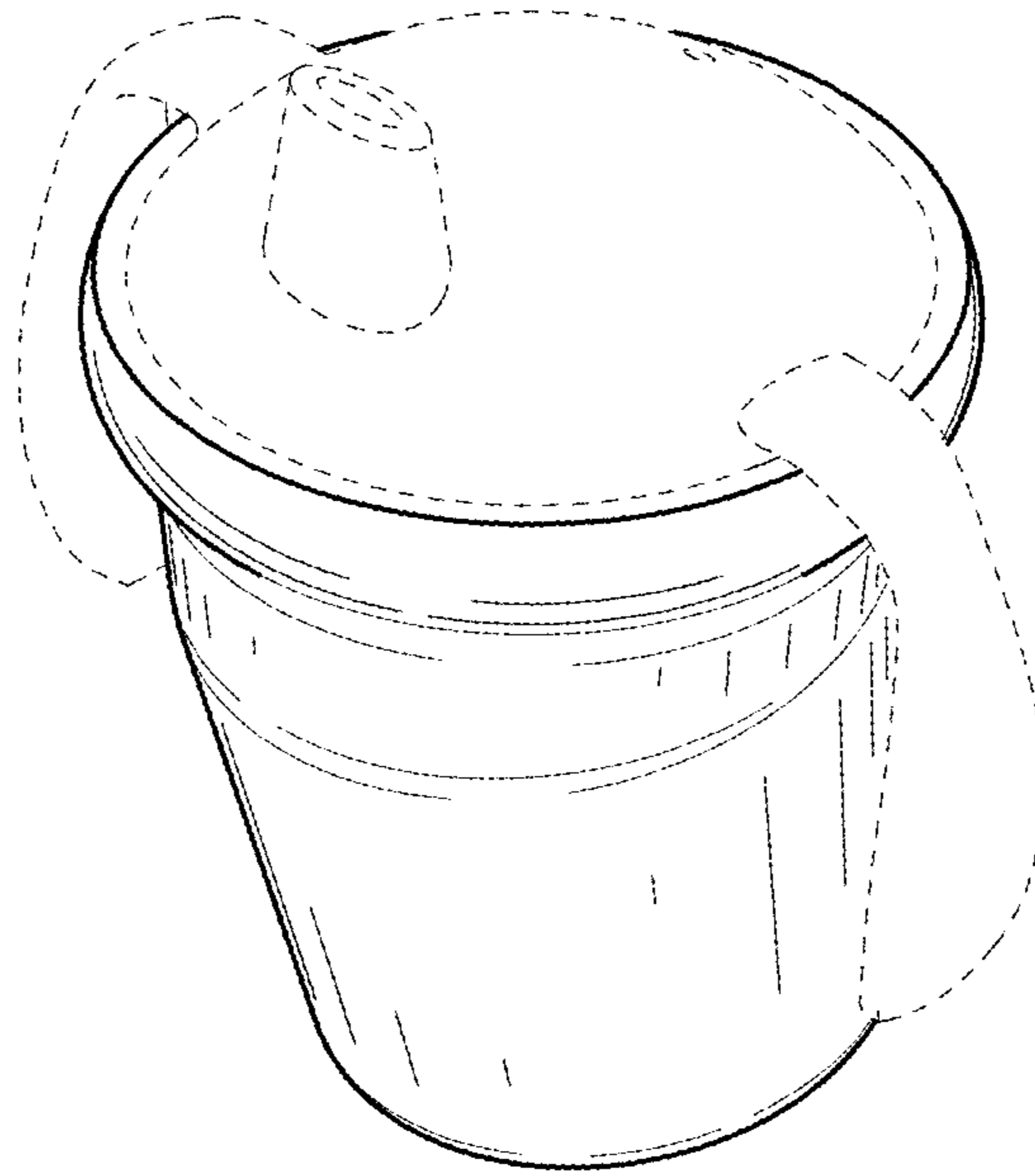
The ornamental design for a sippy cup, as shown and described.

**DESCRIPTION**

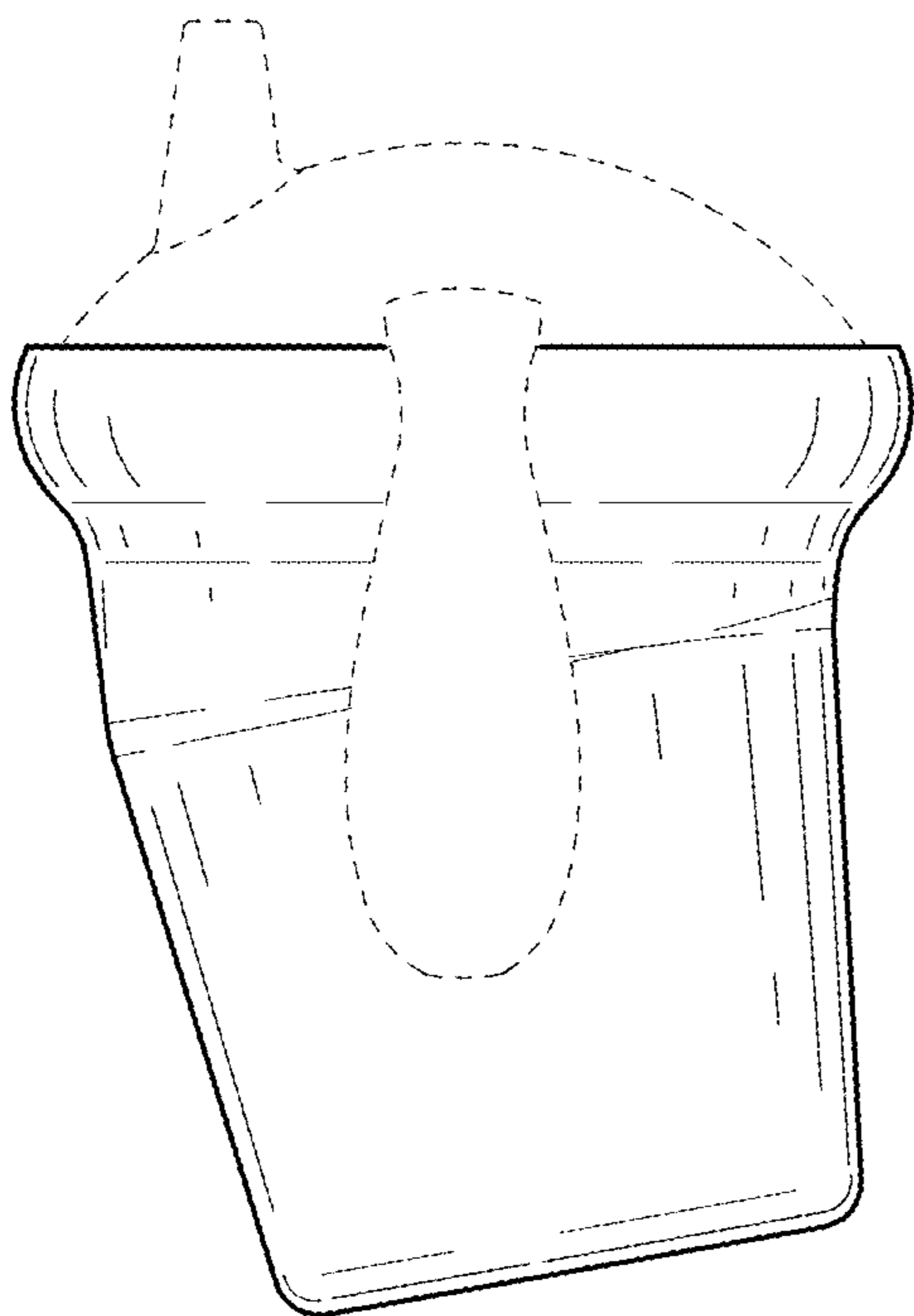
FIG. 1 is a top isometric view of a sippy cup showing our new design;  
FIG. 2 is a left side view of the sippy cup of FIG. 1;  
FIG. 3 is a right side view of the sippy cup of FIG. 1;  
FIG. 4 is a front view of the sippy cup of FIG. 1;  
FIG. 5 is a rear view of the sippy cup of FIG. 1;  
FIG. 6 is a top view of the sippy cup of FIG. 1; and,  
FIG. 7 is a bottom view of the sippy cup of FIG. 1.  
The broken lines in the drawings depict portions of the sippy cup that form no part of the claimed design.

**1 Claim, 2 Drawing Sheets**

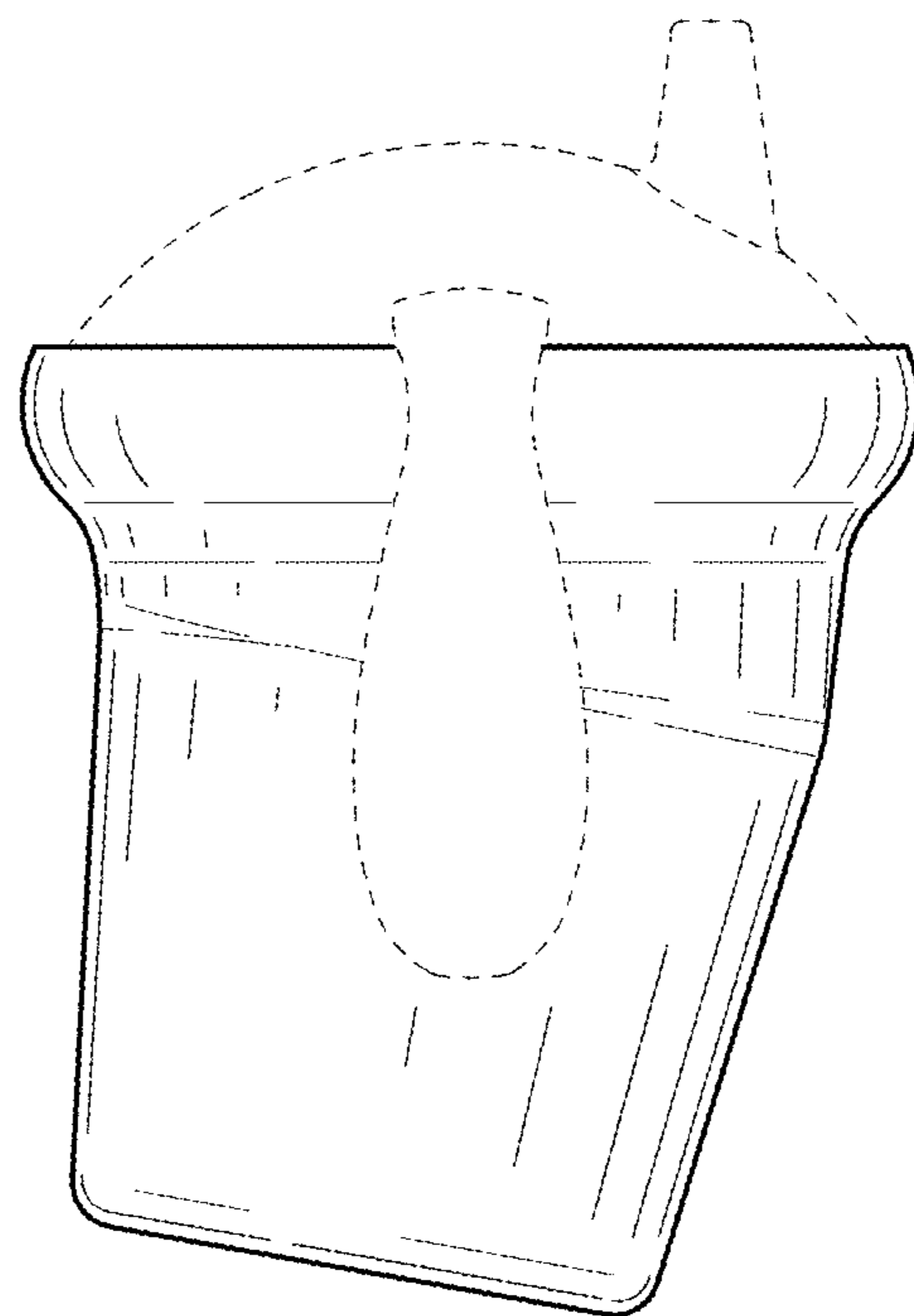




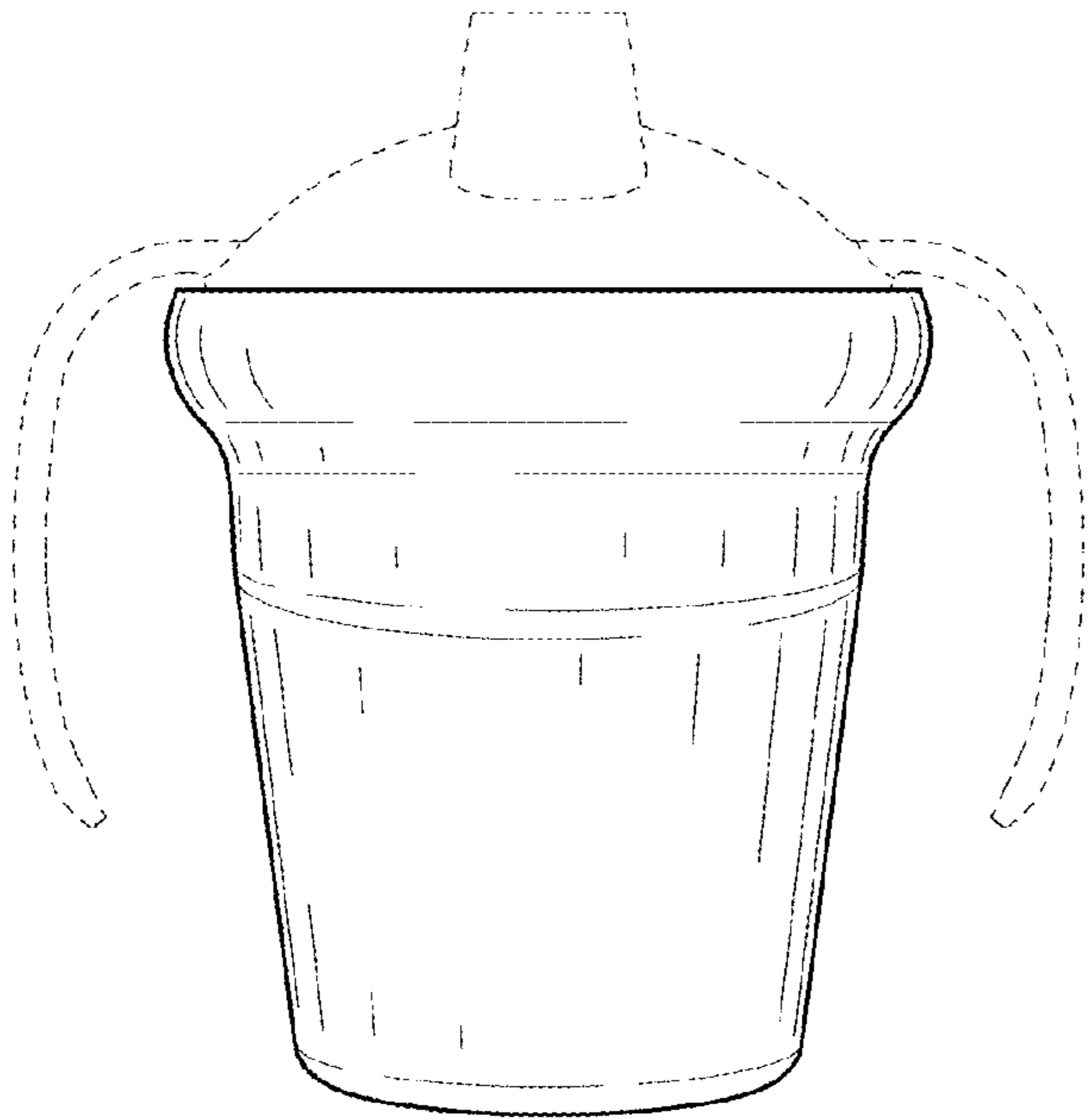
**Fig. 1**



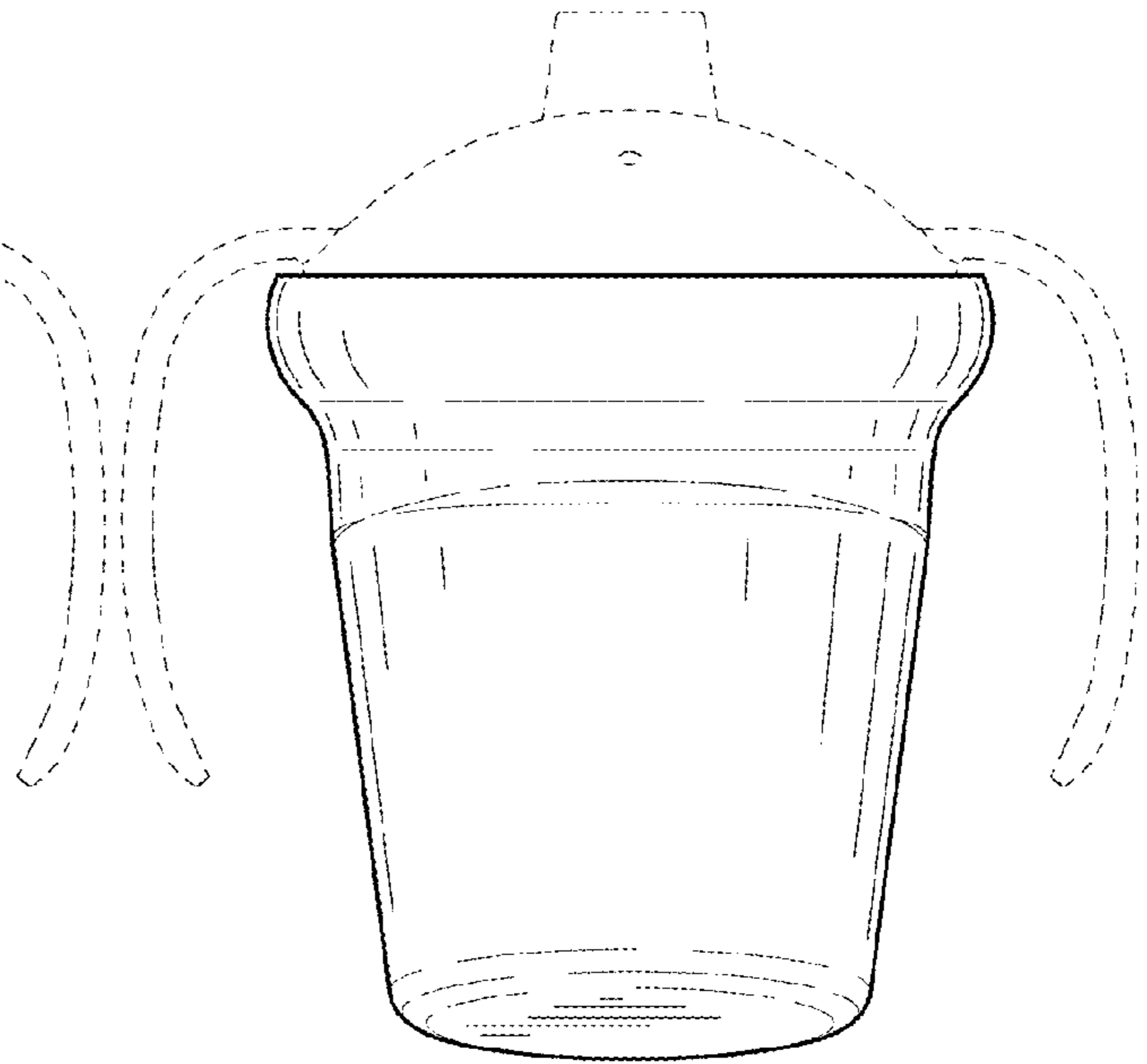
**Fig. 2**



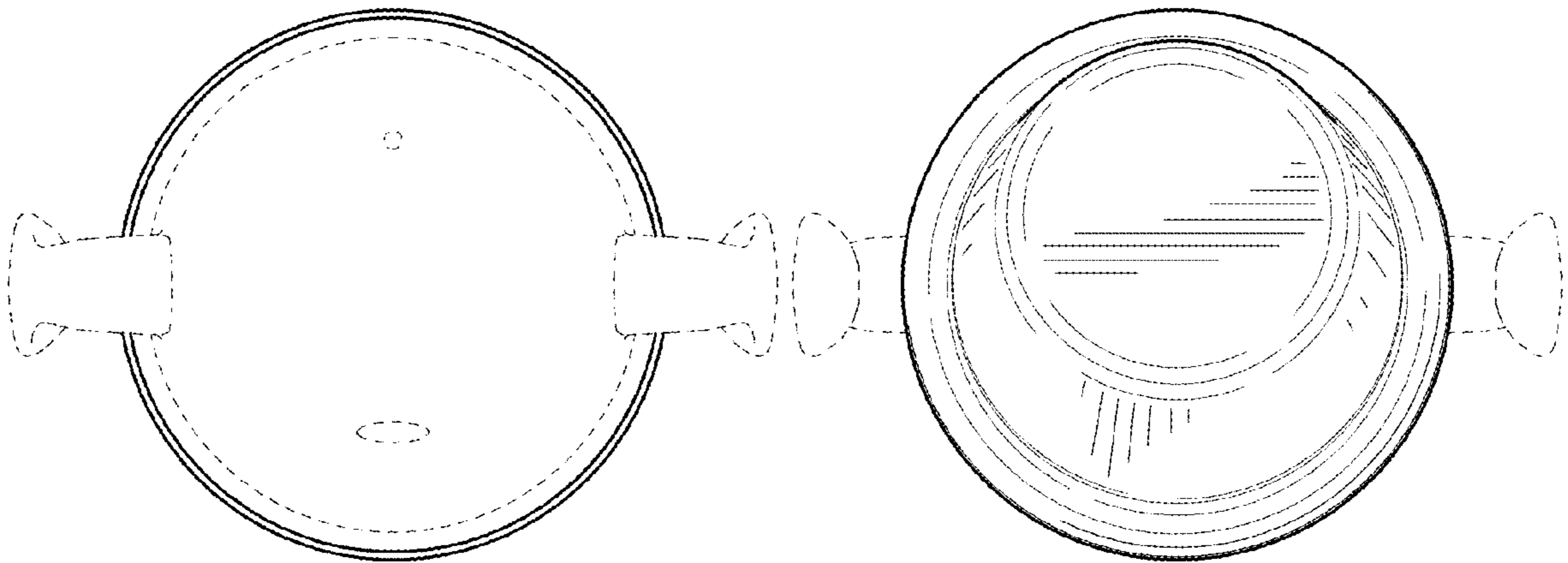
**Fig. 3**



**Fig. 4**



**Fig. 5**



**Fig. 6**

**Fig. 7**