



US00D876890S

(12) **United States Design Patent** (10) **Patent No.:** **US D876,890 S**  
**Young et al.** (45) **Date of Patent:** **\*\* Mar. 3, 2020**

(54) **WALL-MOUNTED WATER BOTTLE FILLING STATION**

D498,637 S \* 11/2004 Heilstedt ..... D7/306  
D498,969 S \* 11/2004 Nicol ..... D7/306  
D600,060 S \* 9/2009 Fletcher ..... D7/306

(Continued)

(71) Applicant: **Acorn Engineering Company**, City of Industry, CA (US)

(72) Inventors: **David A. Young**, Rancho Cucamonga, CA (US); **Darryl M. Boeltl**, Whittier, CA (US); **Edward Barry Knoles**, Duarte, CA (US)

(73) Assignee: **Acorn Engineering Company**, City of Industry, CA (US)

(\*\*) Term: **15 Years**

(21) Appl. No.: **29/680,199**

(22) Filed: **Feb. 14, 2019**

**Related U.S. Application Data**

(62) Division of application No. 29/612,909, filed on Aug. 4, 2017.

(51) **LOC (12) Cl.** ..... **07-99**

(52) **U.S. Cl.**  
USPC ..... **D7/397**

(58) **Field of Classification Search**  
USPC ..... D7/300, 304-311, 312, 313, 213, 387, D7/397, 399, 400; D15/79, 81, 89, 91  
CPC .. A47J 31/00; A47J 31/44; B67D 1/00; B67D 1/0003; B67D 1/0004; B67D 1/0005; B67D 1/06; F25D 23/12; F25D 23/126; Y10T 137/00; Y10T 137/0318; Y10T 137/0379

See application file for complete search history.

(56) **References Cited**

**U.S. PATENT DOCUMENTS**

D264,277 S \* 5/1982 Poelvoorde ..... D6/672  
5,540,355 A \* 7/1996 Hancock ..... B67D 1/04  
222/146.6

**OTHER PUBLICATIONS**

Stand-Alone Bottle Filler | posted at murdockmfg.com, no posting date available, © Murdock Manufacturing, Inc 2019, [online], [site visited Oct. 11, 2019]. Available from the Internet, <URL:https://www.murdockmfg.com/water-bottle-filling-station> (Year: 2019).\*

*Primary Examiner* — Derrick E Holland

*Assistant Examiner* — Andrew Kerr

(74) *Attorney, Agent, or Firm* — Eric J. Sosenko; Jonathan P. O'Brien; Honigman LLP

(57) **CLAIM**

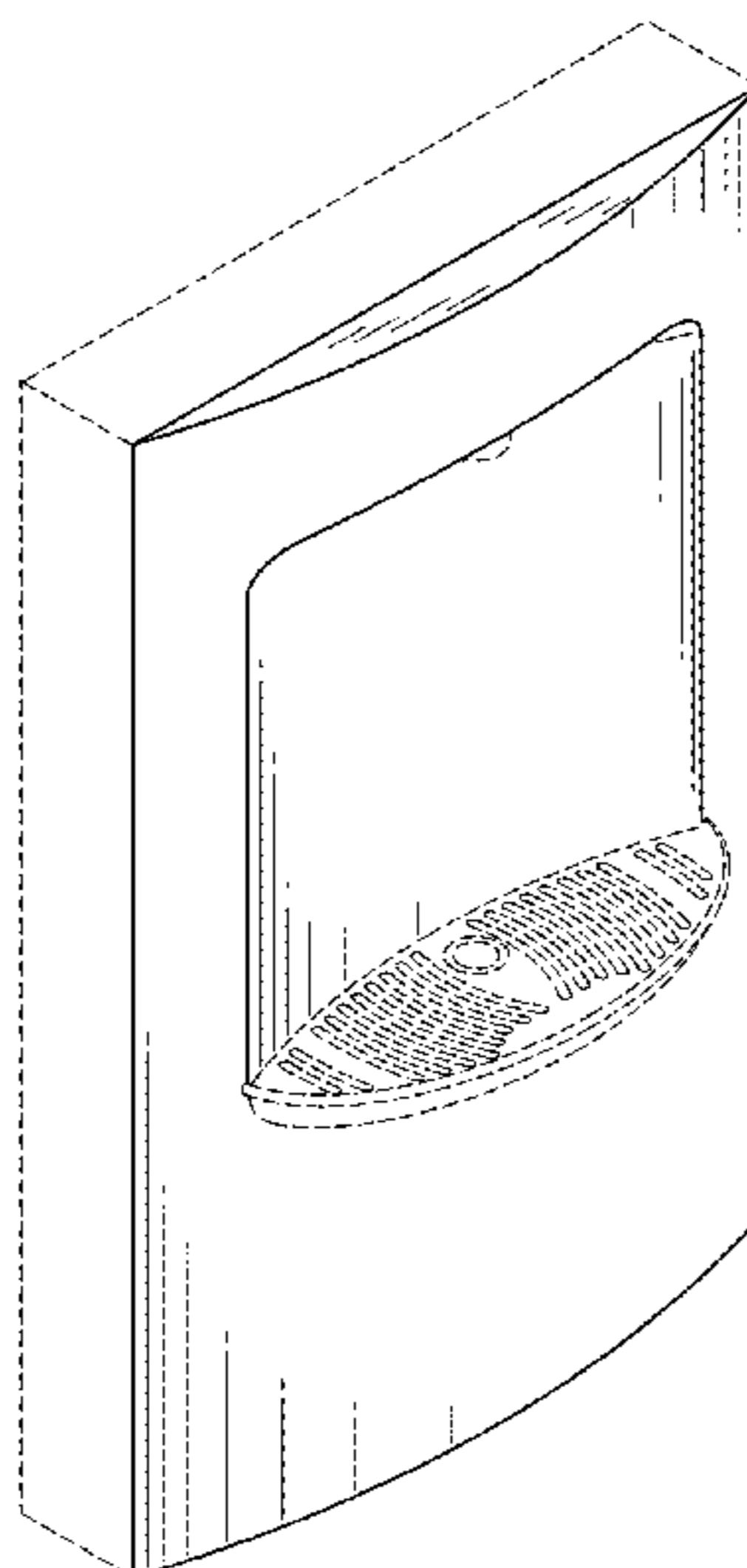
The ornamental design for a wall-mounted water bottle filling station, as shown and described.

**DESCRIPTION**

FIG. 1 is a top, left perspective view of a wall-mounted water bottle filling station, showing our new design; FIG. 2 is bottom-right perspective view of the wall-mounted water bottle filling station seen in FIG. 1; FIG. 3 is a front view of the wall-mounted water bottle filling station seen in FIG. 1; FIG. 4 is a left side view of the wall-mounted water bottle filling station seen in FIG. 1; FIG. 5 is a right side view of the wall-mounted water bottle filling station seen in FIG. 1; FIG. 6 is a top view of the wall-mounted water bottle filling station seen in FIG. 1; FIG. 7 is a bottom view of the wall-mounted water bottle filling station seen in FIG. 1; and, FIG. 8 is a cross section view thereof, taken along line 8-8 in FIG. 3.

The broken lines in the drawings depict portions of the wall-mounted water bottle filling station that form no part of the claimed design.

**1 Claim, 5 Drawing Sheets**



(56)

**References Cited**

U.S. PATENT DOCUMENTS

D642,849	S	8/2011	Wang	
D647,354	S	10/2011	Wang	
D660,636	S	5/2012	Wang	
D677,509	S	3/2013	Wang	
D706,567	S *	6/2014	Strayle .....	D7/309
D718,971	S *	12/2014	Young .....	D7/306
D734,086	S *	7/2015	Tseng .....	D7/306
D787,250	S	5/2017	Walton	
D790,899	S *	7/2017	Trazzi .....	D7/306
D811,147	S *	2/2018	DeBaker .....	D7/300
D813,346	S *	3/2018	Lee .....	D23/207
D828,709	S	9/2018	Wang	
D832,021	S *	10/2018	Yoon .....	D7/313
D844,378	S *	4/2019	Seum .....	D7/397
D851,447	S *	6/2019	Walton .....	D7/397
2009/0242075	A1 *	10/2009	Busick .....	A61L 2/10 141/85

\* cited by examiner

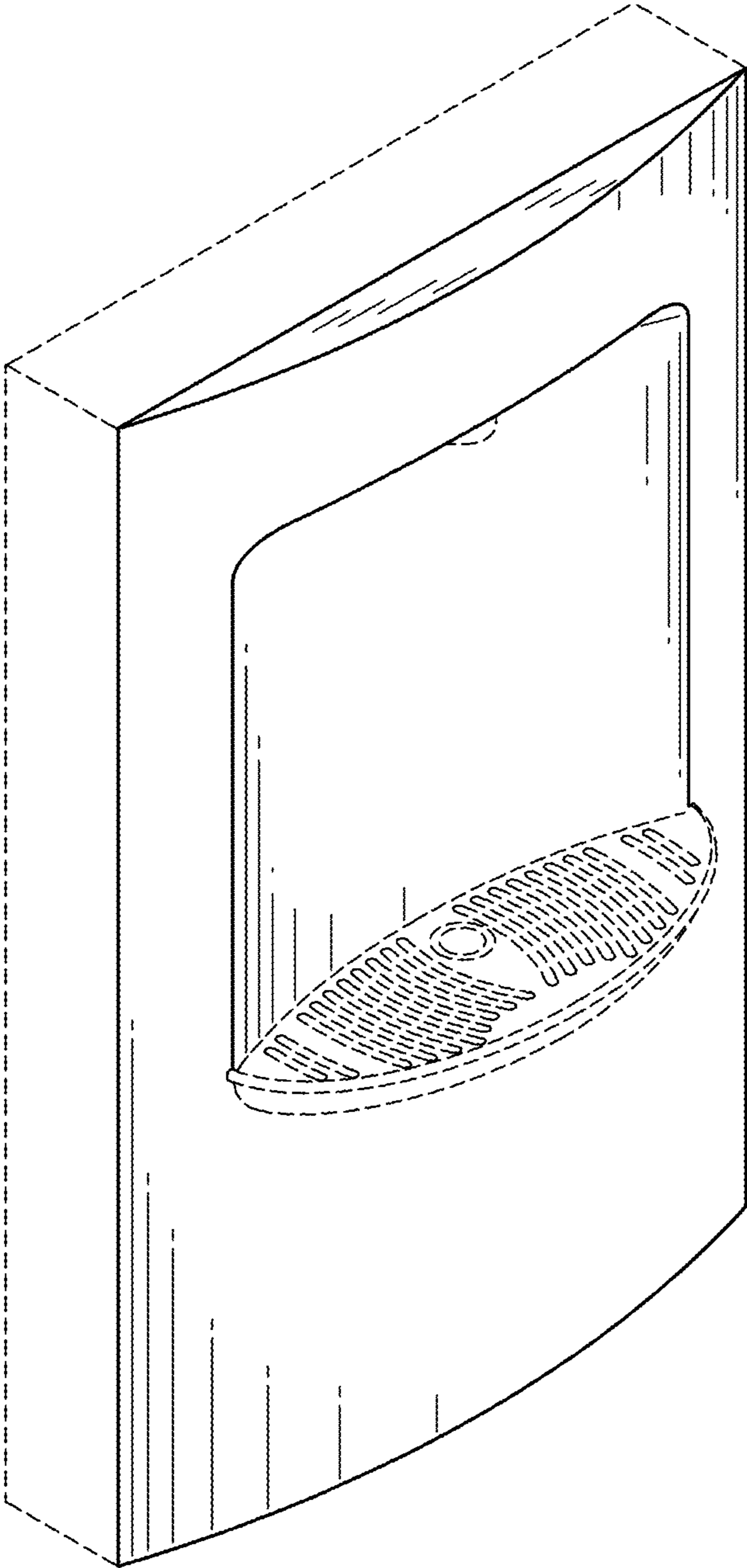
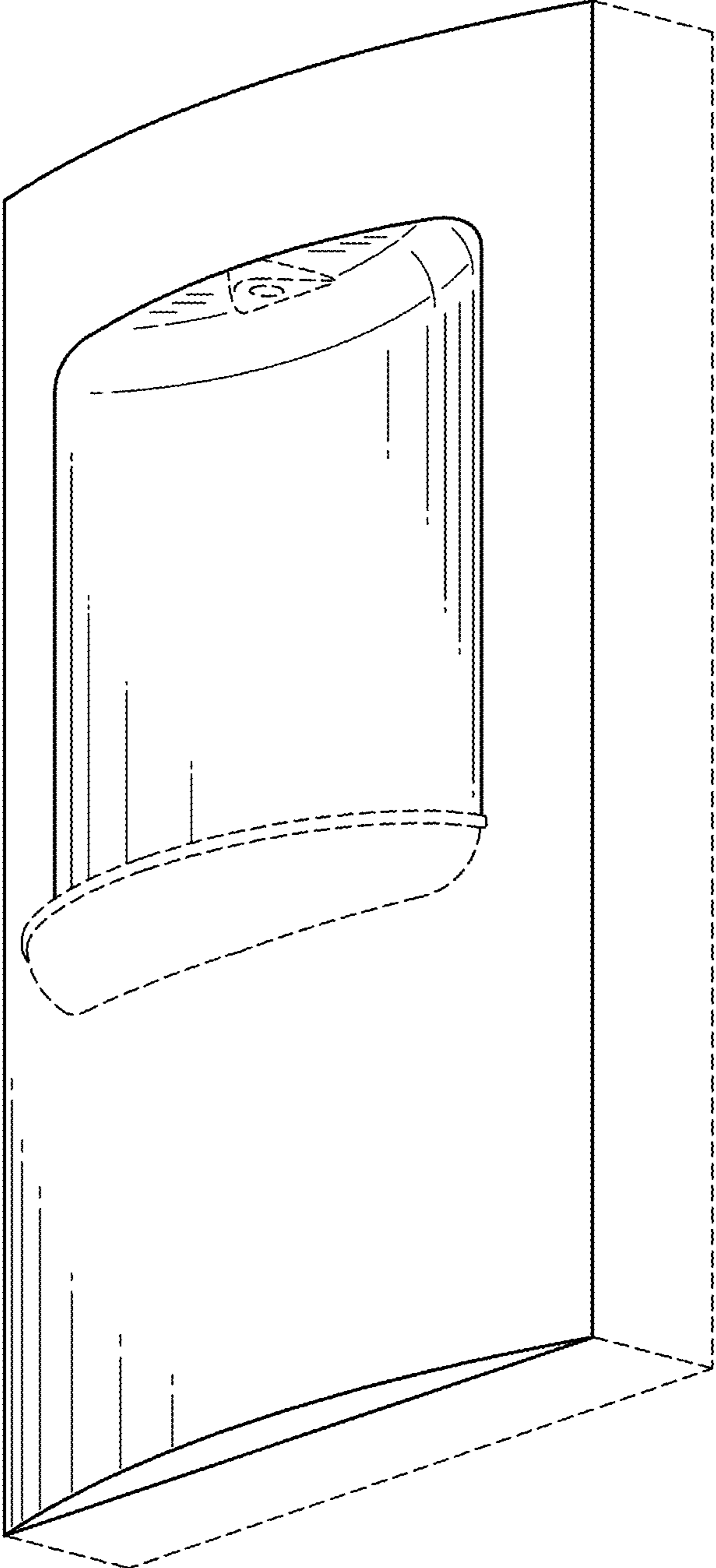


FIG. 1



**FIG. 2**

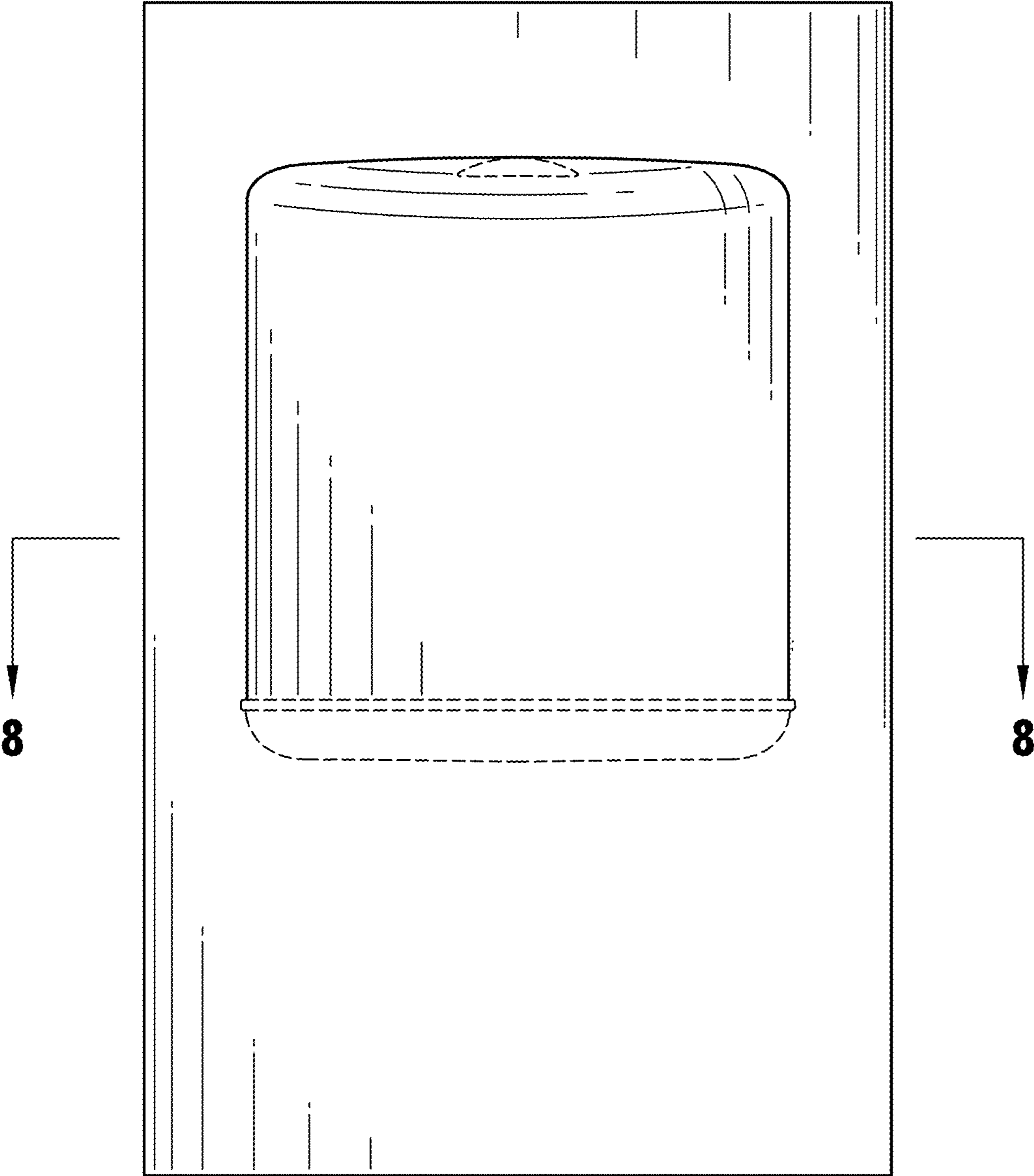
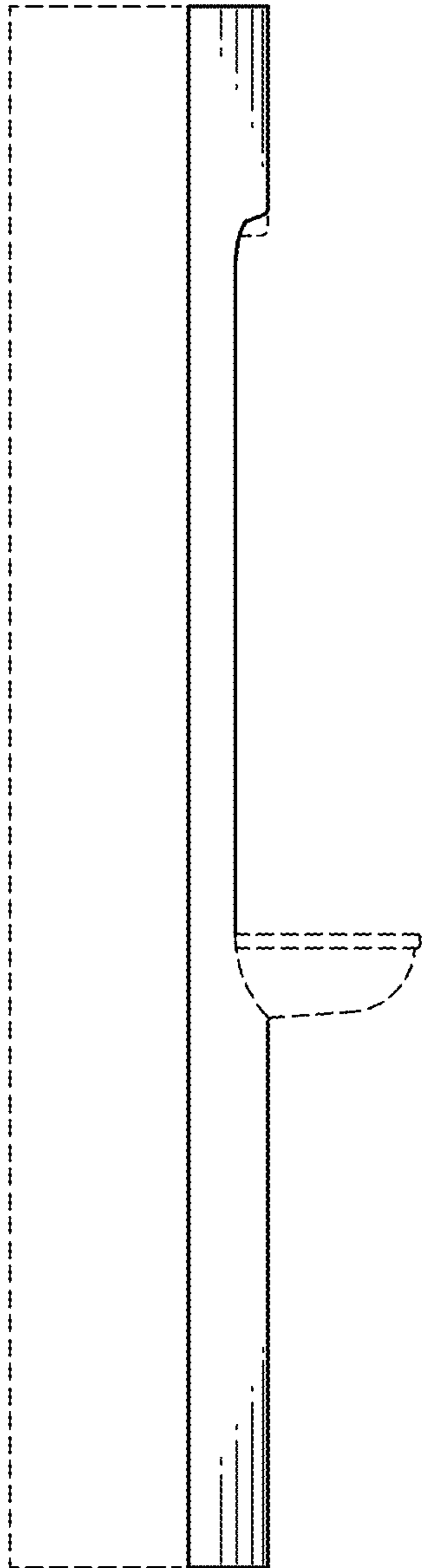
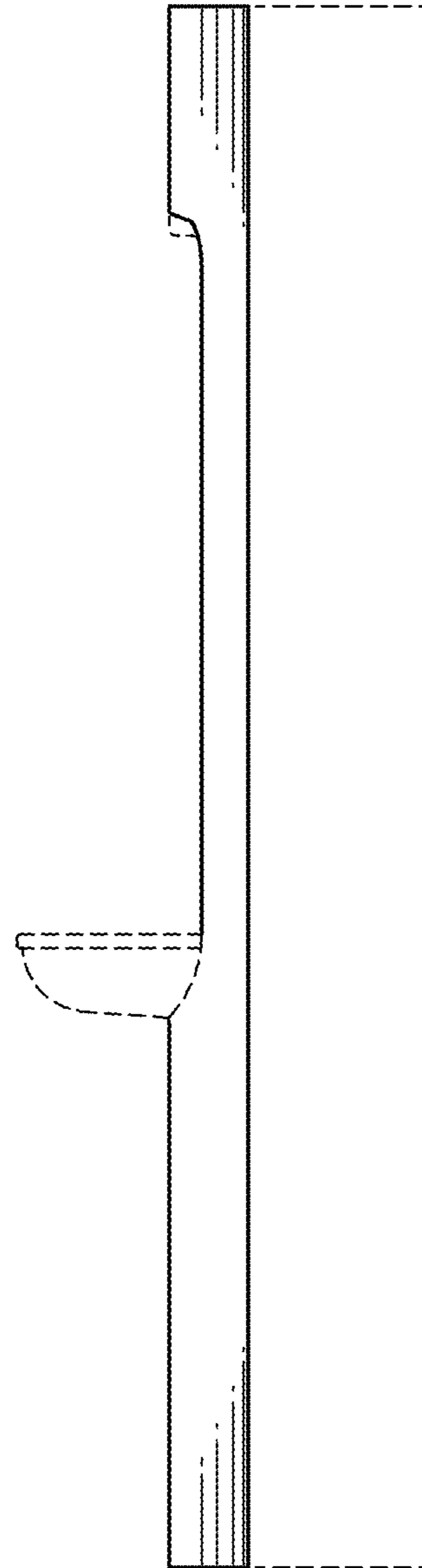


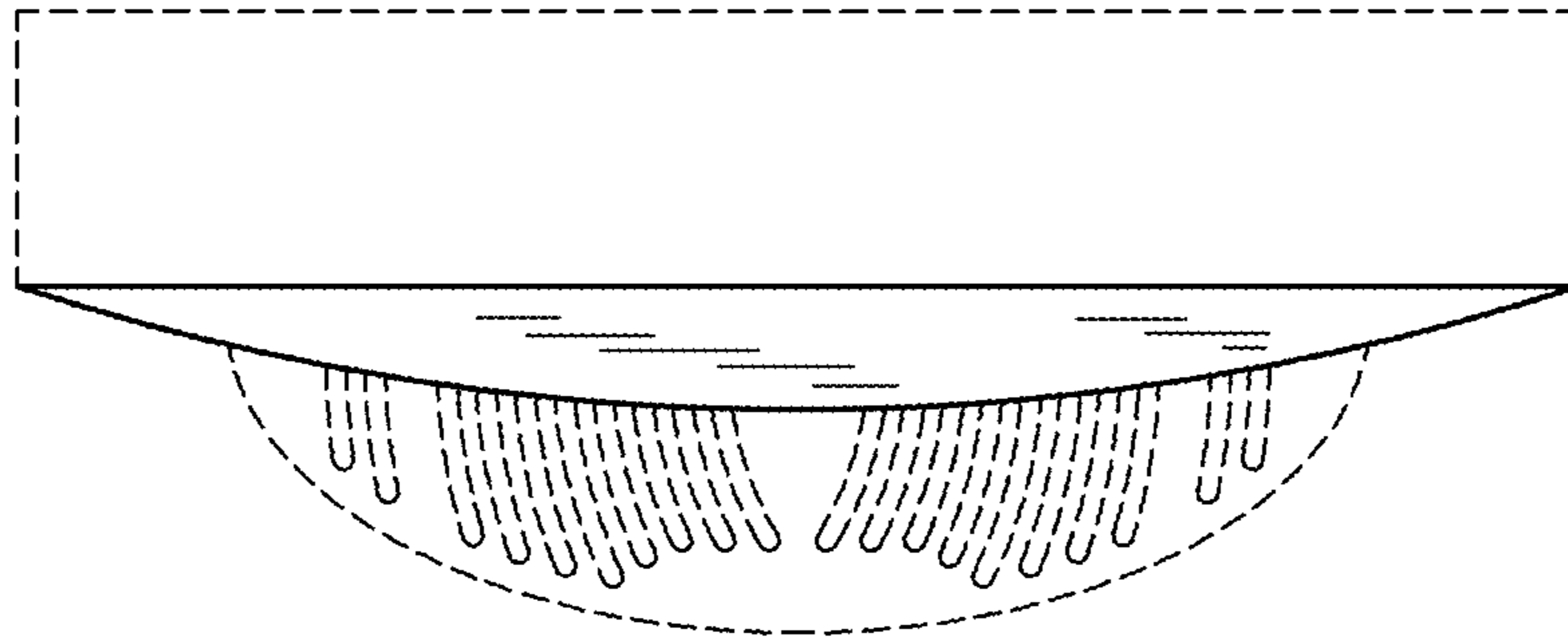
FIG. 3



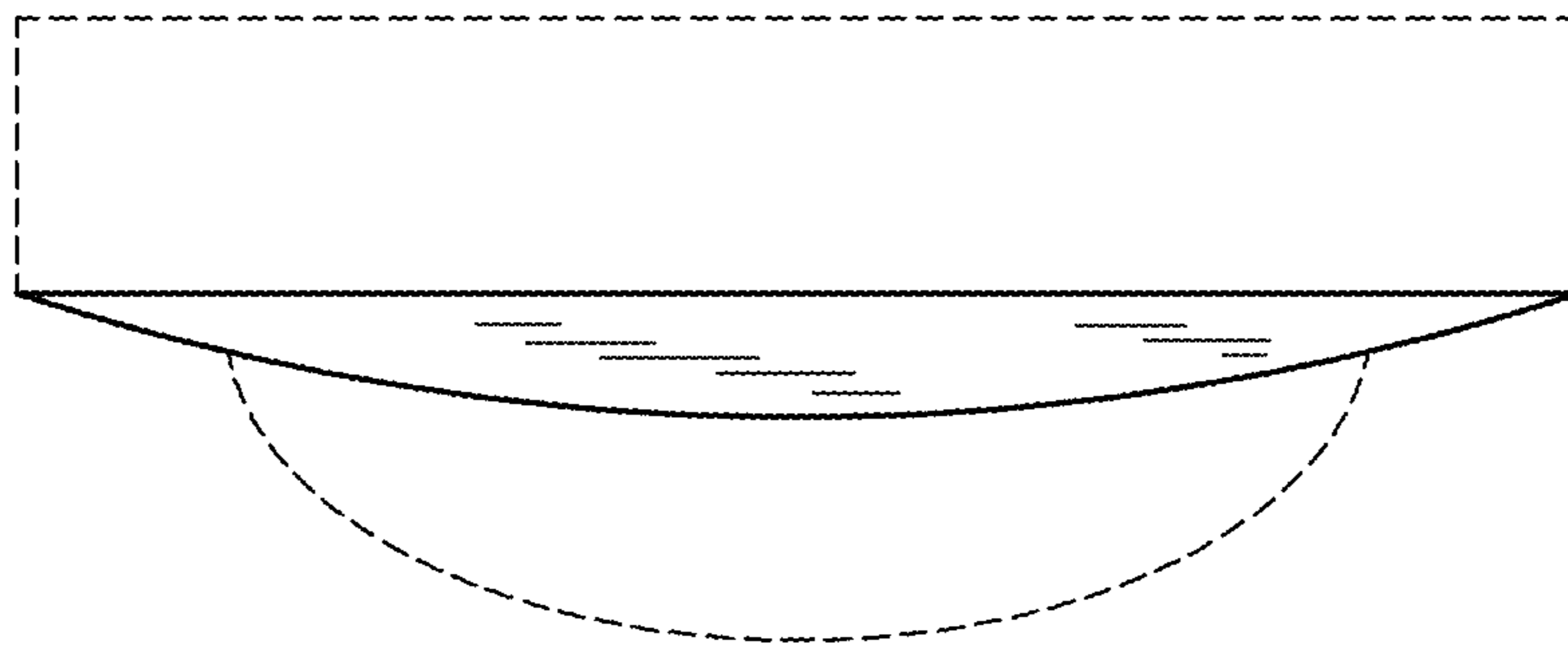
**FIG. 4**



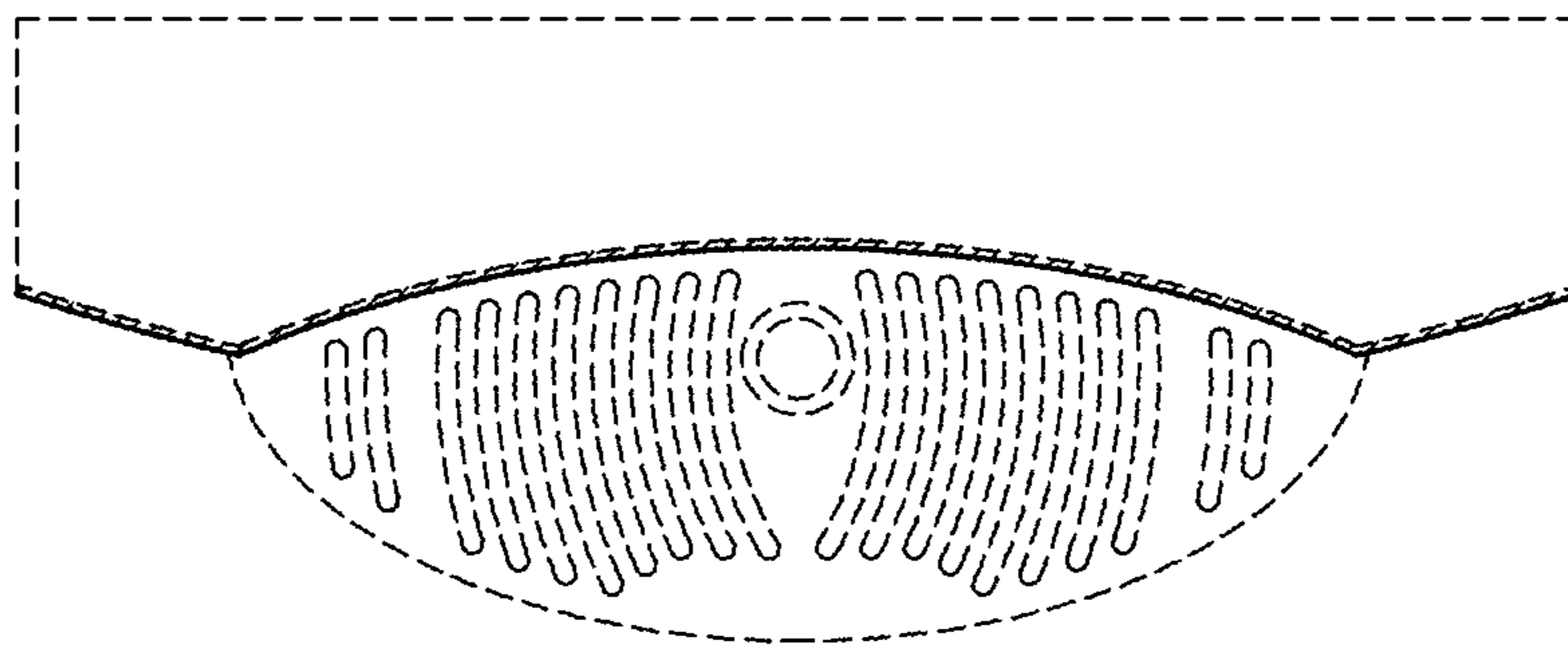
**FIG. 5**



**FIG. 6**



**FIG. 7**



**FIG. 8**