



US00D876888S

(12) **United States Design Patent**
Pola et al.

(10) **Patent No.:** **US D876,888 S**
(45) **Date of Patent:** **** Mar. 3, 2020**

(54) **APPARATUS FOR HOLDING ICE, FOOD AND BEVERAGES**

(71) Applicants: **Richard Pola**, Hermosa Beach, CA (US); **Adrian Miranda**, Torrance, CA (US); **Omar Khalid**, Redondo Beach, CA (US)

(72) Inventors: **Richard Pola**, Hermosa Beach, CA (US); **Adrian Miranda**, Torrance, CA (US); **Omar Khalid**, Redondo Beach, CA (US)

(**) Term: **15 Years**

(21) Appl. No.: **29/667,029**

(22) Filed: **Oct. 18, 2018**

(51) **LOC (12) Cl.** **07-01**

(52) **U.S. Cl.**
USPC **D7/392.1; D7/396.2; D7/387**

(58) **Field of Classification Search**
USPC D7/507, 509, 510, 511, 529, 531, 532, D7/523, 533, 534, 535, 536, 392.1, 296.1, D7/396.2, 387, 300.1, 591, 688, 665, D7/624.1, 624.2, 608; D9/500, 501, 502, D9/503, 504, 516, 556, 569, 542, 530, D9/531, 436, 702, 705; D3/202
CPC A47G 19/22; A47G 19/2288; A47G 19/2205; A47G 19/2227; B65D 1/265; A47J 43/27; A45F 3/16
See application file for complete search history.

(56) **References Cited**

U.S. PATENT DOCUMENTS

D254,241 S *	2/1980	Morin	D7/612
D288,293 S *	2/1987	Arvans	D18/43
D329,326 S *	9/1992	Sheehy	D3/202
D452,160 S *	12/2001	Mettler	D9/574
D470,014 S *	2/2003	Soehnlen	D7/511

D605,053 S *	12/2009	Webster	D9/542
D643,694 S *	8/2011	Lu	D7/629
D686,088 S *	7/2013	Murray	D9/708
D727,748 S *	4/2015	Murray	D9/710
D734,940 S *	7/2015	Fay	D3/202
D751,848 S *	3/2016	Price	D7/300
D798,118 S *	9/2017	Karagkouni	D7/608
D828,105 S *	9/2018	Peterson	D7/589
D833,226 S *	11/2018	Cartwright	D7/523
D840,827 S *	2/2019	Demarest	D9/574
D844,432 S *	4/2019	Bliss	D9/443
2019/0039820 A1 *	2/2019	Hansley	B65D 85/816

* cited by examiner

Primary Examiner — Jae Liang

(74) *Attorney, Agent, or Firm* — Law Office of David Hong

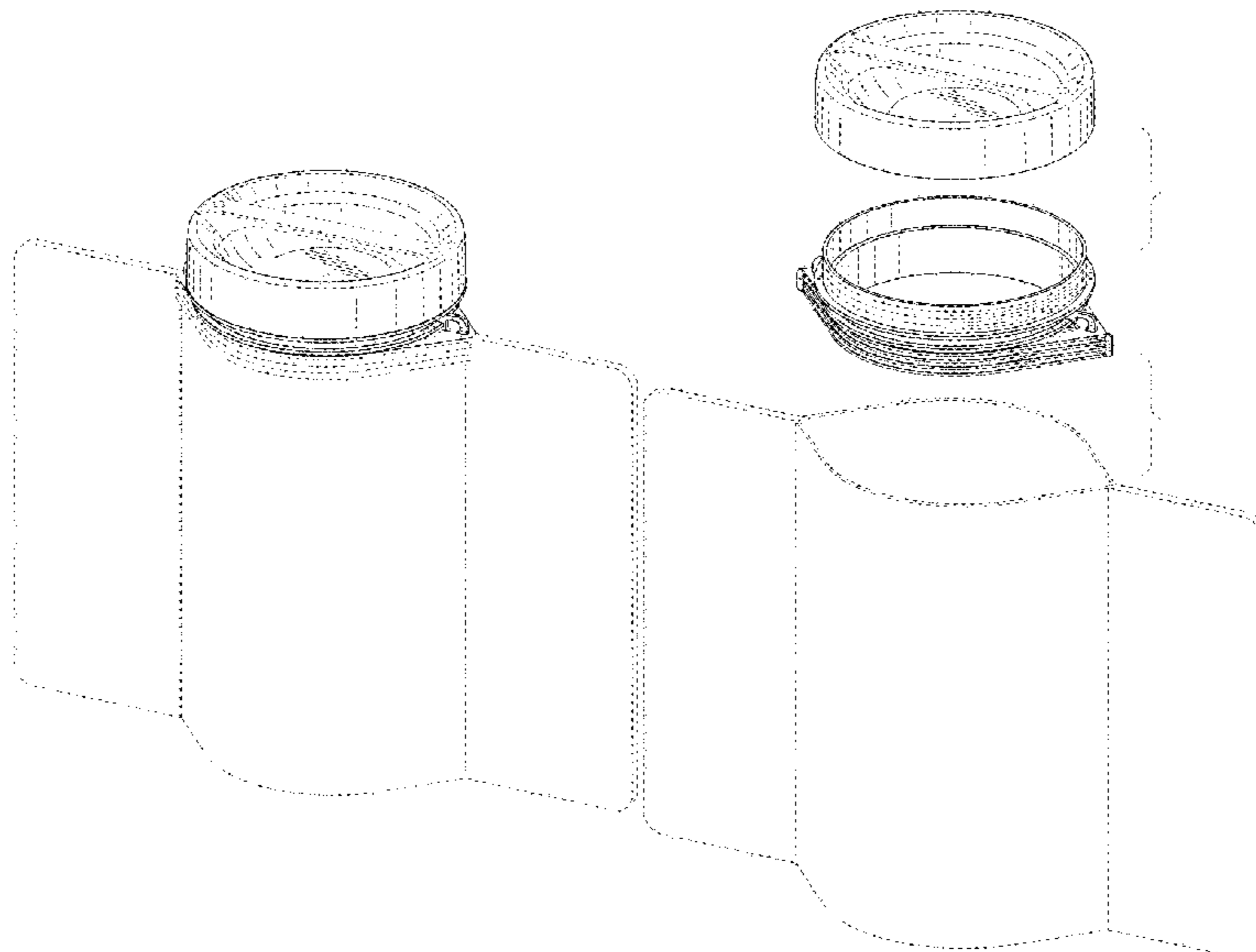
(57) **CLAIM**

The ornamental design for an apparatus for holding ice, food and beverages, as shown and described.

DESCRIPTION

FIG. 1 is a perspective view of our new design for an apparatus for holding ice, food and beverages; FIG. 2 is a first side elevational view of the apparatus in FIG. 1; the opposite side view being a mirror image; FIG. 3 is a third side elevational view of the device in FIG. 1; the opposite side view being a mirror image; FIG. 4 is a top view of the apparatus in FIG. 1; FIG. 5 is a bottom view of the apparatus in FIG. 1. FIG. 6 is an exploded perspective view thereof; FIG. 7 is an exploded first elevational view thereof; the opposite side view being a mirror image; FIG. 8 is an exploded third elevational view thereof; the opposite side view being a mirror image; and, FIG. 9 is another exploded view with the cap removed. The broken lines shown in the drawing views are included for the purpose of showing environmental structure that forms no part of the claimed design.

1 Claim, 8 Drawing Sheets



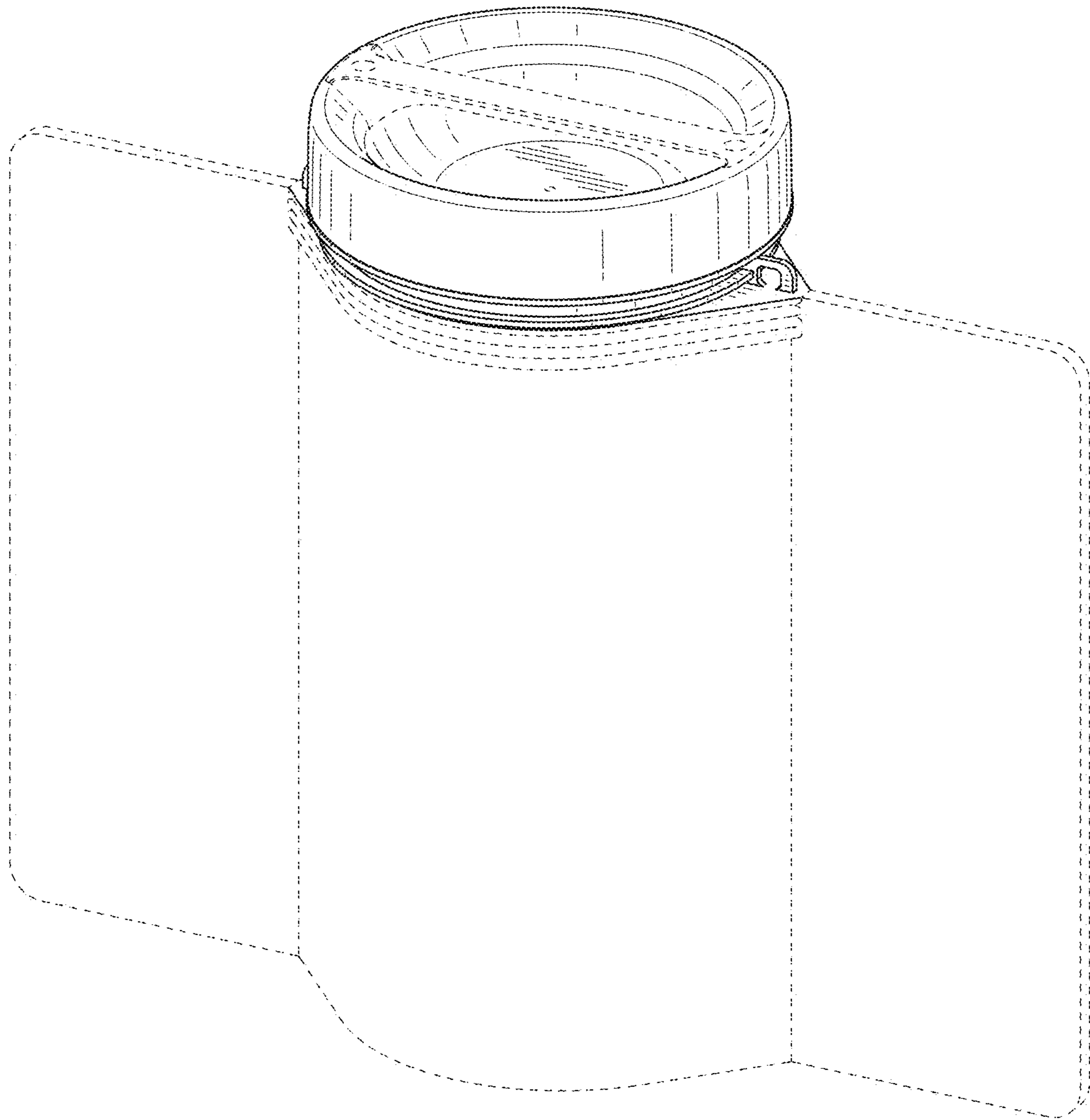


FIG. 1

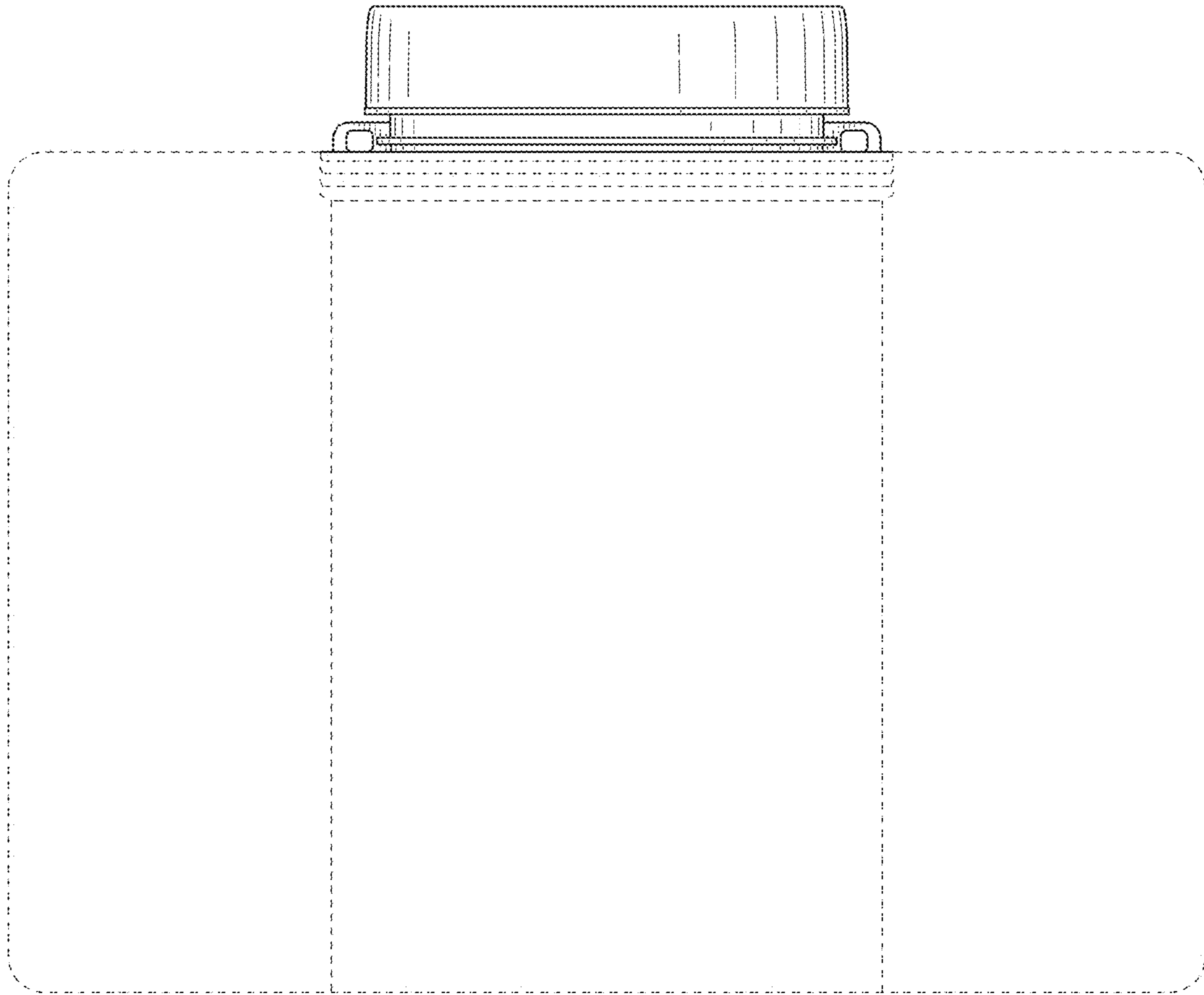


FIG. 2

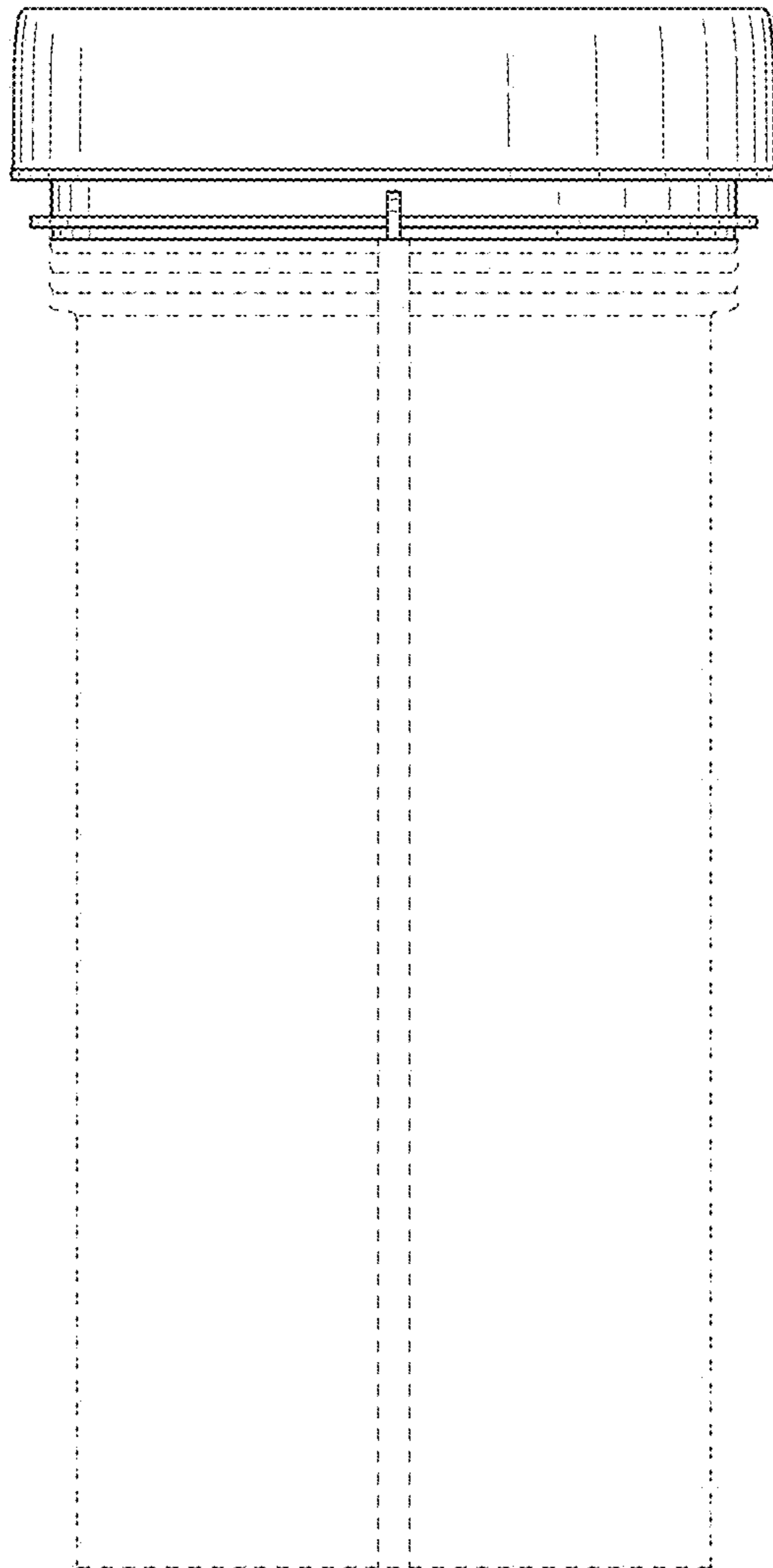


FIG. 3

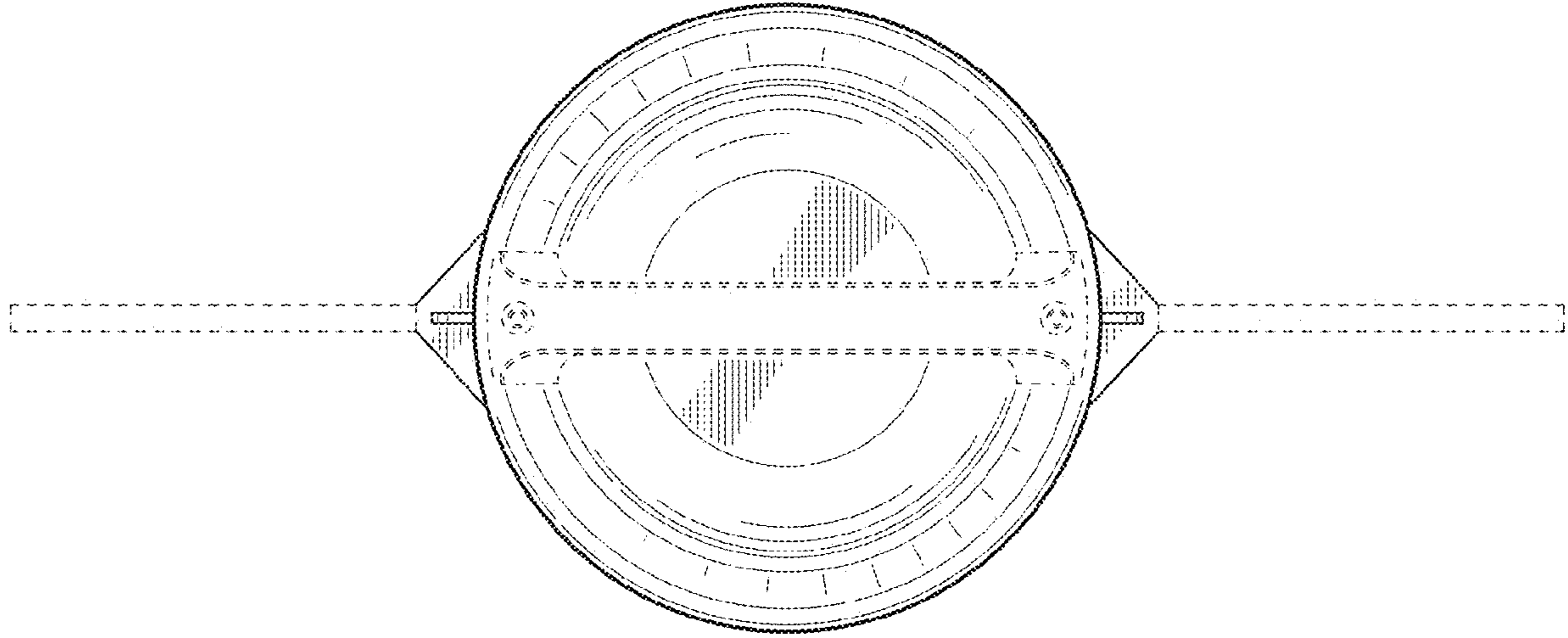


FIG. 4

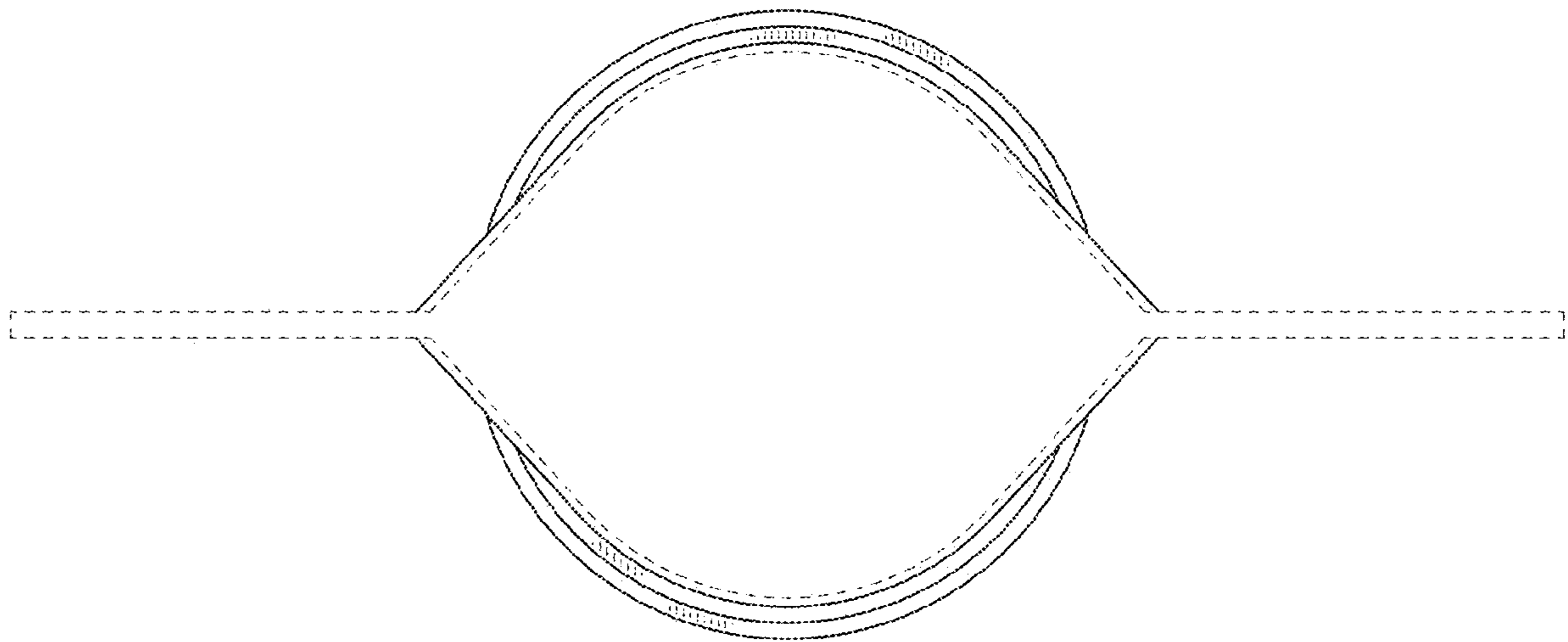


FIG. 5

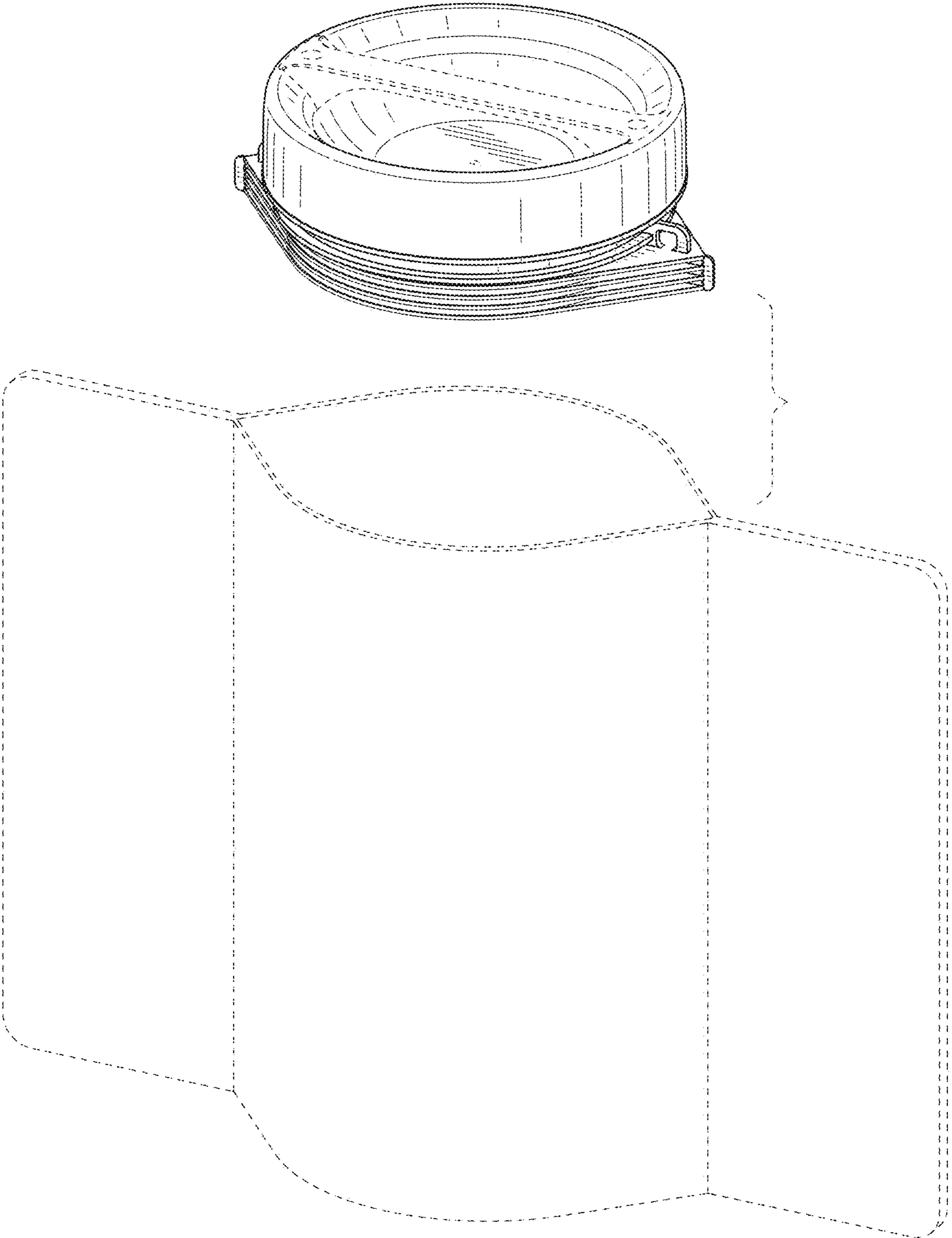


FIG. 6

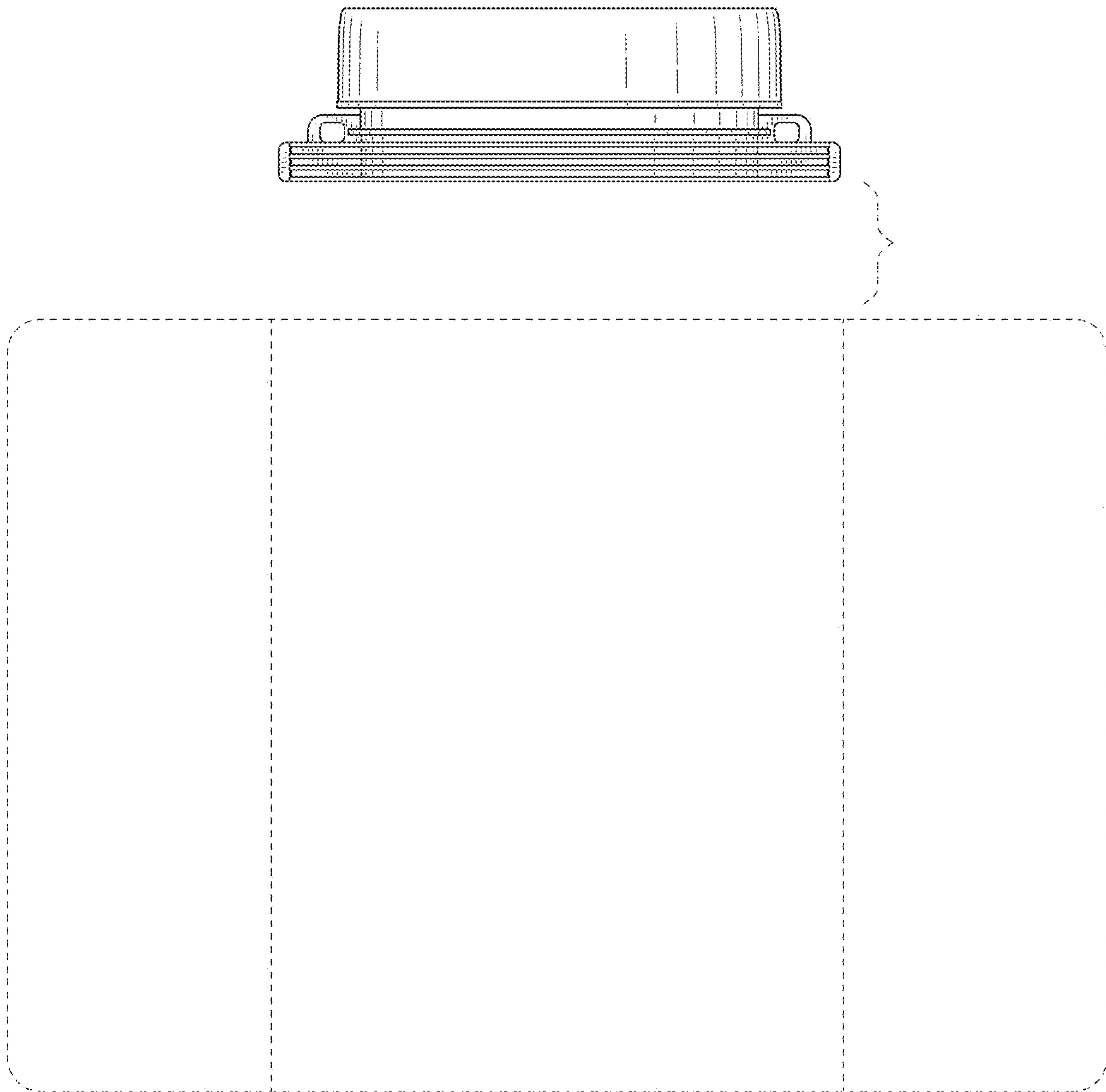


FIG. 7

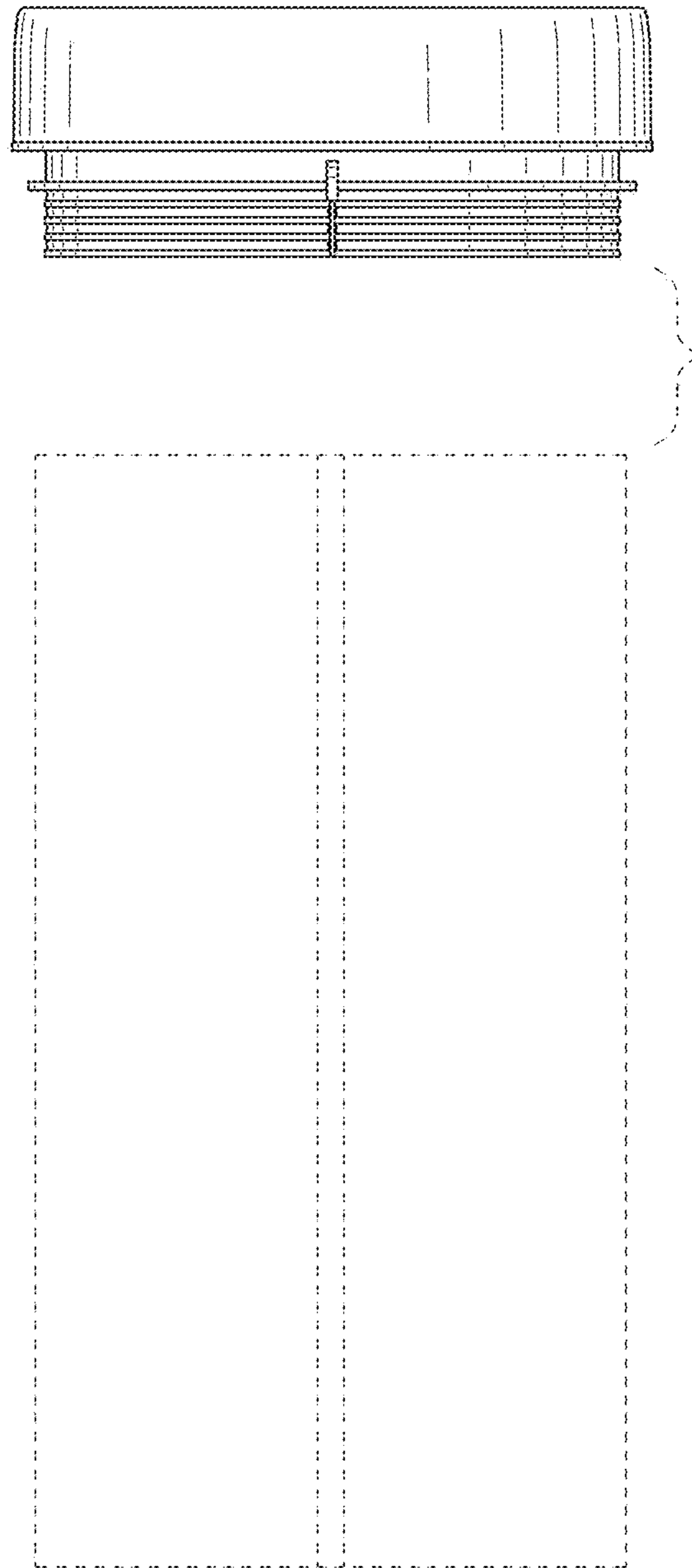


FIG. 8

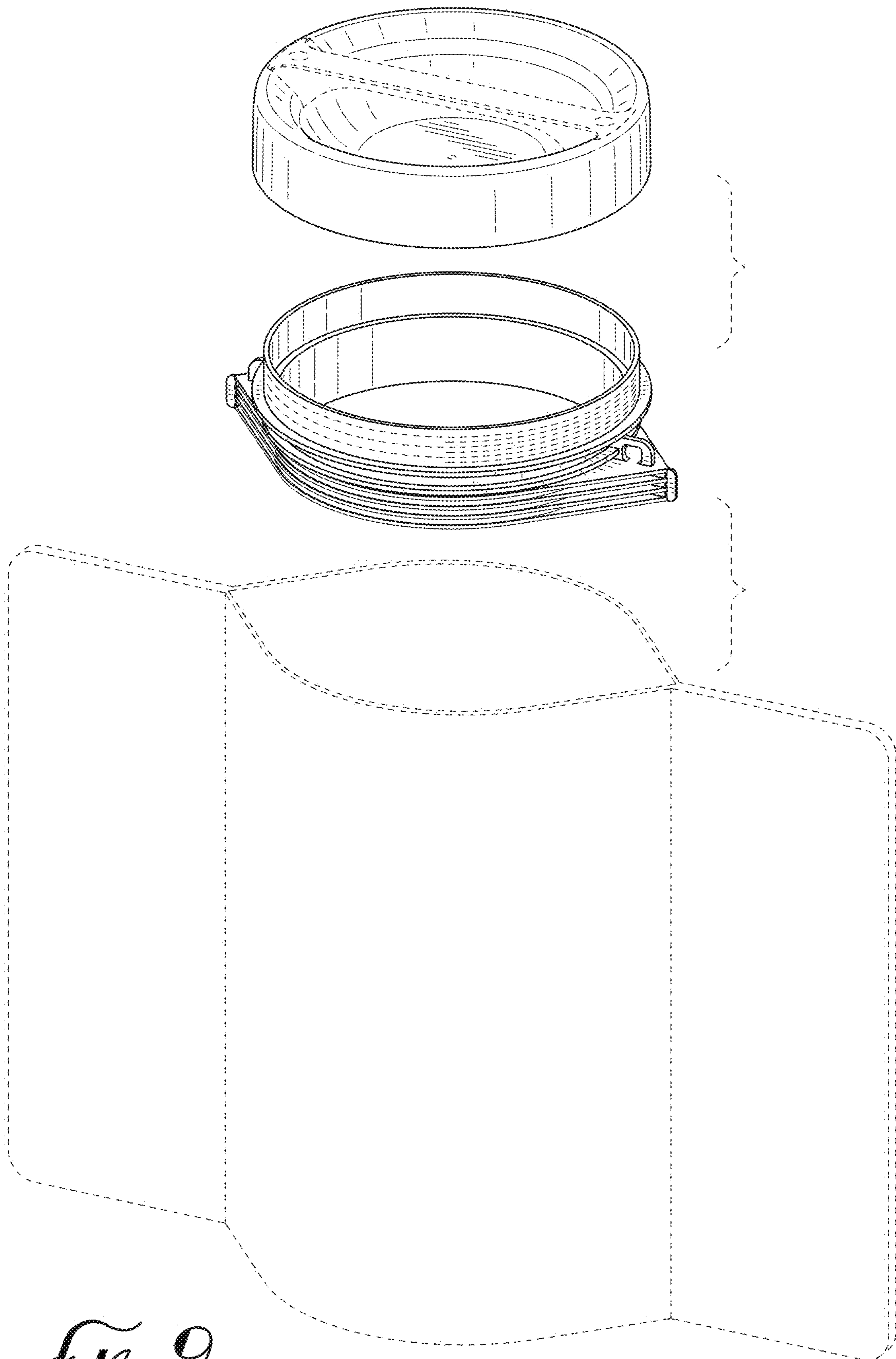


FIG. 9