



US00D876887S

(12) **United States Design Patent** (10) **Patent No.:** **US D876,887 S**
Barber (45) **Date of Patent:** **** Mar. 3, 2020**

(54) **LID WITH INFUSER**
(71) Applicant: **BRADSHAW INTERNATIONAL, INC.**, Rancho Cucamonga, CA (US)
(72) Inventor: **Tom Barber**, Manhattan Beach, CA (US)
(73) Assignee: **BRADSHAW INTERNATIONAL, INC.**, Rancho Cucamonga, CA (US)
(**) Term: **15 Years**
(21) Appl. No.: **29/638,707**

6,283,013 B1 * 9/2001 Romandy A47J 31/0636
99/319
D621,660 S * 8/2010 Smiedt D7/510
D642,657 S * 8/2011 Cumberland D23/209
D713,685 S * 9/2014 Eyal D7/507
D717,594 S * 11/2014 Taketani D7/399
D747,140 S * 1/2016 Roth D23/209
D747,924 S * 1/2016 Roth D23/207
D781,646 S * 3/2017 Roth D7/387
D784,082 S * 4/2017 Yao D7/507
D814,856 S * 4/2018 Kristinik D7/392.1
D815,714 S * 4/2018 Bell D23/209
D815,895 S * 4/2018 Roth D7/400
D856,066 S * 8/2019 Barber D7/392.1
D856,067 S * 8/2019 Barber D7/392.1

(Continued)

(22) Filed: **Feb. 28, 2018**
(51) **LOC (12) Cl.** **07-01**
(52) **U.S. Cl.**
USPC **D7/392.1; D7/396.2; D7/507; D7/400;**
D7/399

Primary Examiner — Jae Liang
(74) *Attorney, Agent, or Firm* — Birch, Stewart, Kolasch & Birch, LLP

(58) **Field of Classification Search**
USPC D7/505, 507, 509, 510, 511, 513, 514,
D7/515, 516, 519, 523, 532, 529, 530,
D7/531, 533, 300.1, 601, 602, 576, 582,
D7/700, 566, 551.1, 555, 554.1, 552.2,
D7/551.2, 506, 396.2, 624.1, 624.2,
D7/392.1, 400, 401, 619.2, 399, 397, 398;
D9/435, 436, 503, 504, 555, 566, 568,
D9/562, 608, 611, 601, 534, 702, 703,
D9/705, 707, 709, 710; D30/130, 129;
D3/202
CPC A47G 19/22; A47G 19/2205;
A47G 19/2211; A47G 19/2216; A47G
19/2222; A47G 19/2266; B65D 47/066;
B65D 3/06; A47J 41/0088; A45F 3/16
See application file for complete search history.

(57) **CLAIM**

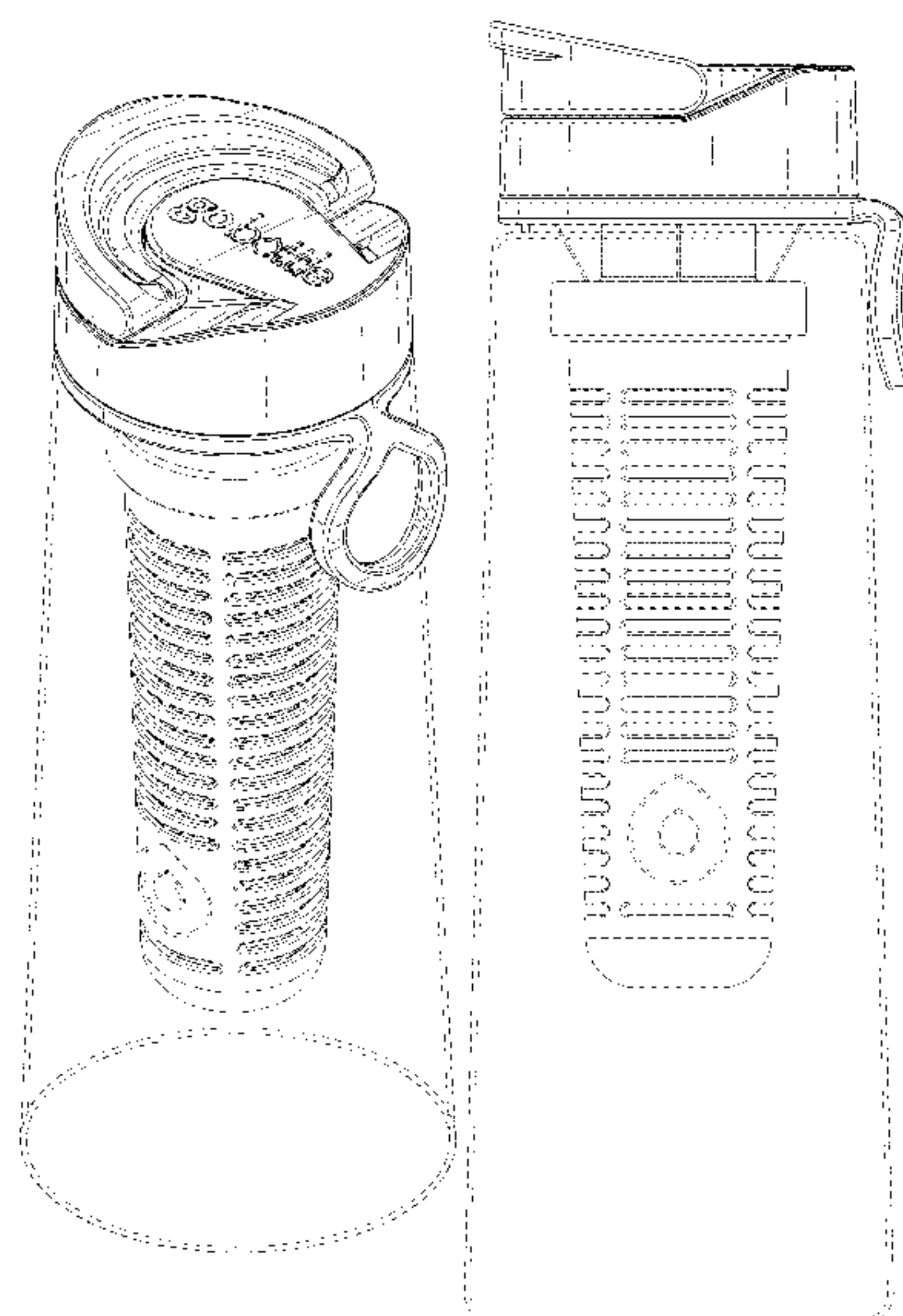
The ornamental design for a lid with infuser, as shown and described.

DESCRIPTION

FIG. 1 is a rear, top, right perspective view of a lid with infuser showing my new design;
FIG. 2 is a front view thereof;
FIG. 3 is a rear view thereof;
FIG. 4 is a left side view thereof;
FIG. 5 is a right side view thereof;
FIG. 6 is a top plan view thereof;
FIG. 7 is a bottom plan view thereof; and,
FIG. 8 is a partial view of a portion of FIG. 7.
The evenly-spaced broken lines in the Figures are for the purpose of illustrating portions of the lid with infuser and form no part of the claimed design.
The dash-dot broken lines of FIG. 7 is included to show a partially enlarged view only and forms no part of the claimed design.

(56) **References Cited**
U.S. PATENT DOCUMENTS
D308,828 S * 6/1990 Magnusson D9/438
H1157 H * 4/1993 Yanou D23/209

1 Claim, 7 Drawing Sheets



(56)

References Cited

U.S. PATENT DOCUMENTS

D860,717 S * 9/2019 Barber D7/392.1
D861,421 S * 10/2019 Barber D7/396.2
D862,157 S * 10/2019 Barber D7/392.1
2008/0023103 A1* 1/2008 Ballinger B67C 11/00
141/338

* cited by examiner

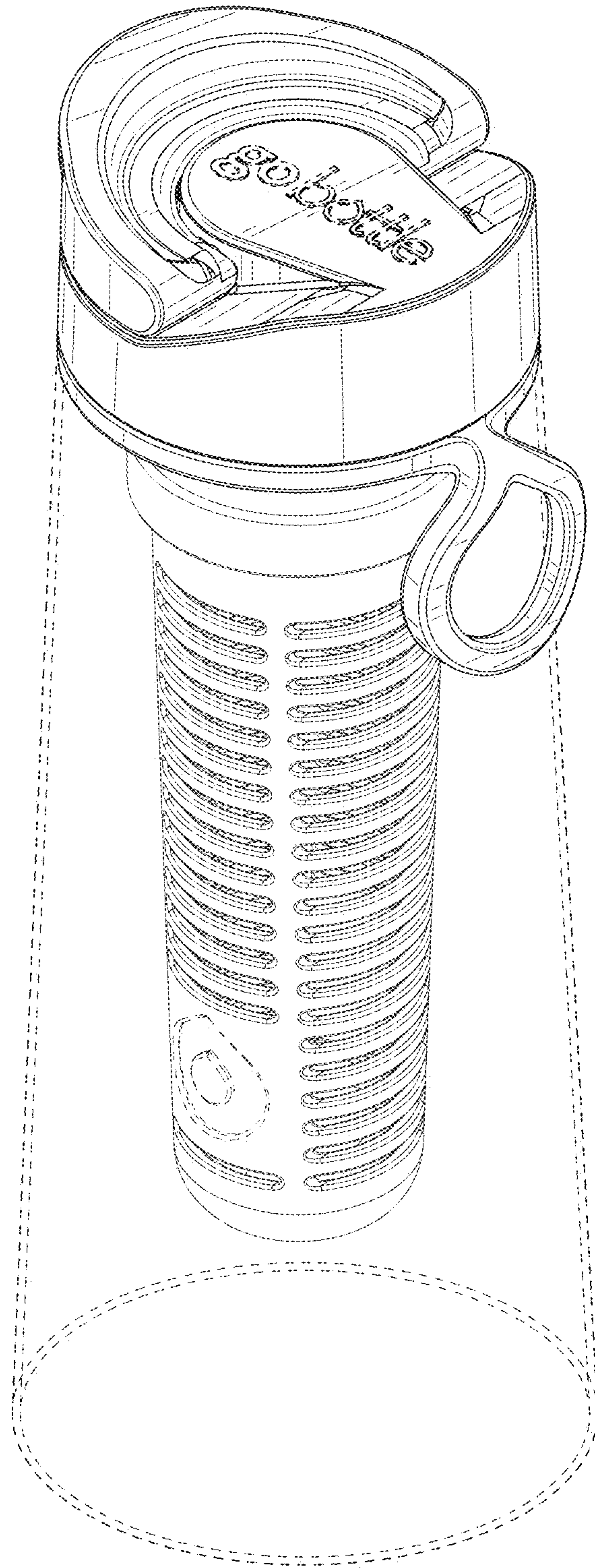


FIG. 1

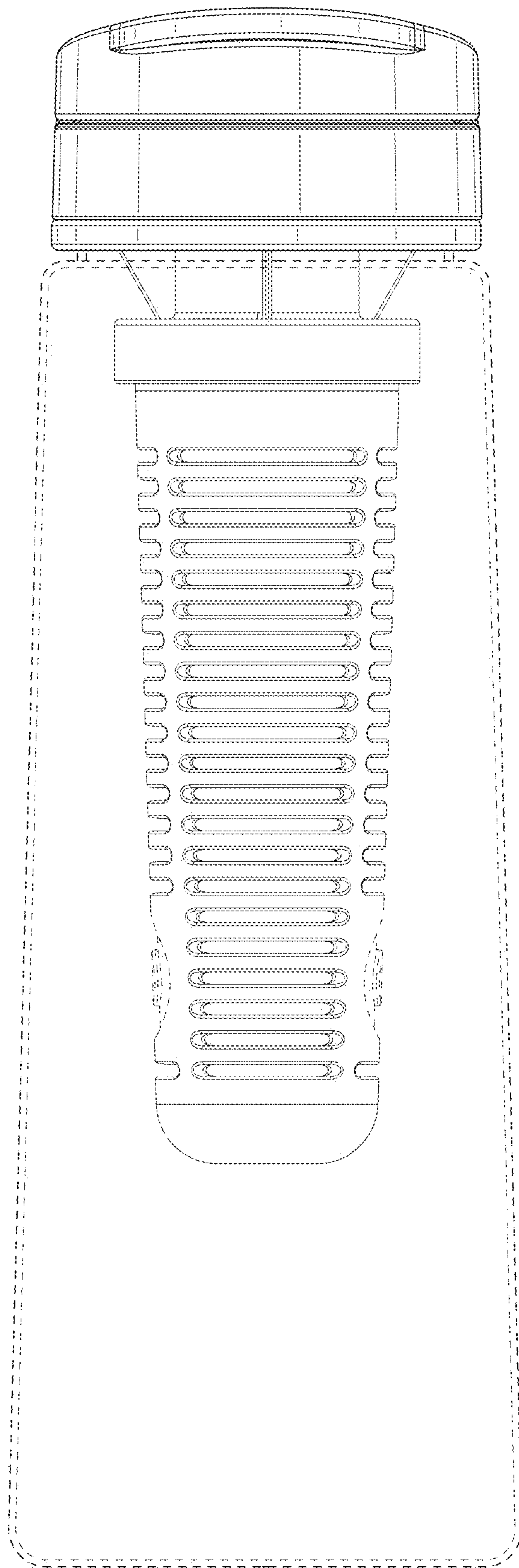


FIG. 2

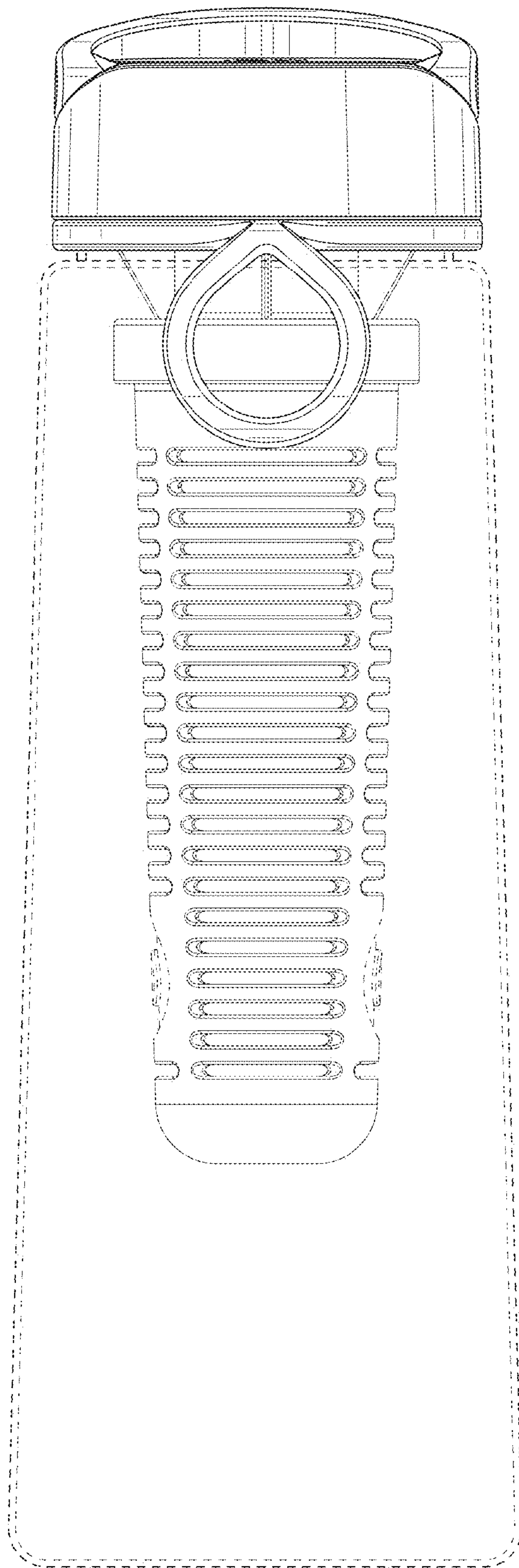


FIG. 3

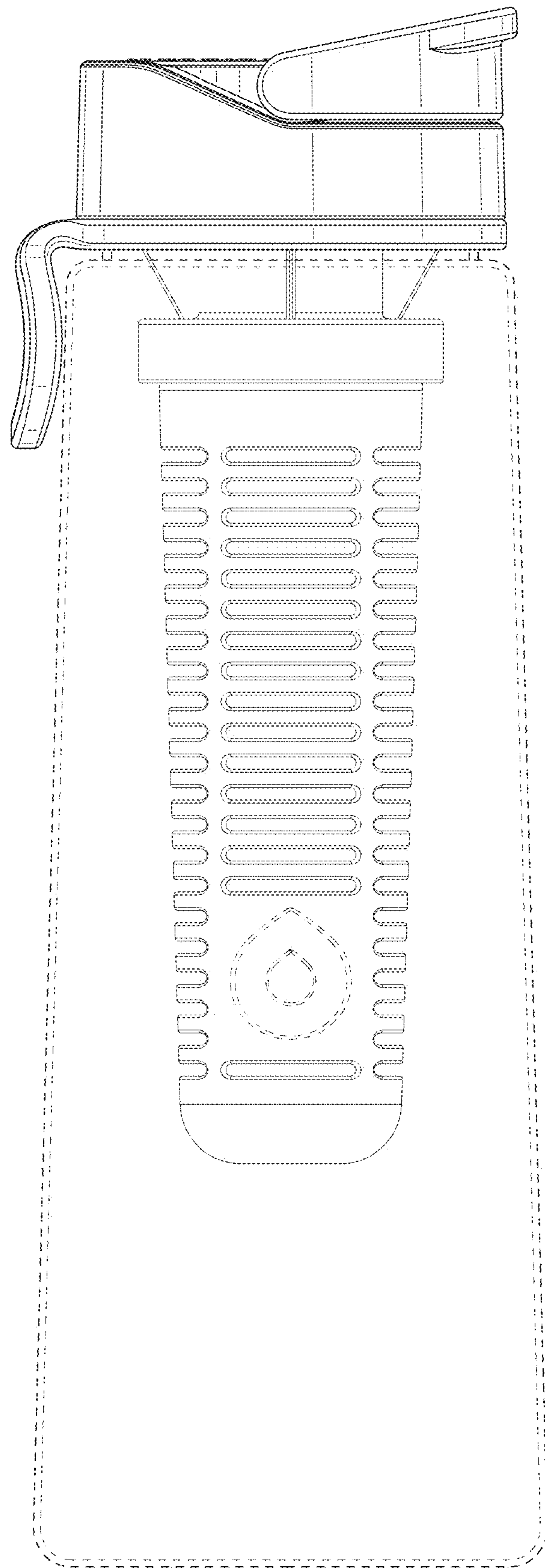


FIG. 4

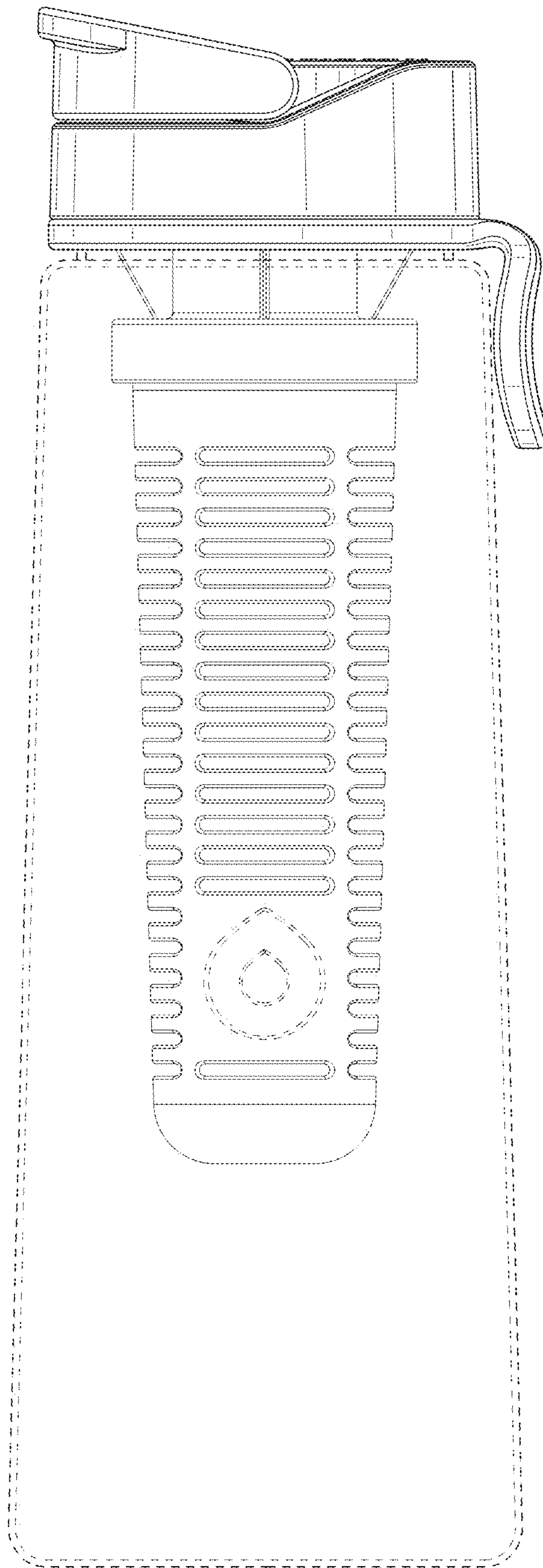


FIG. 5

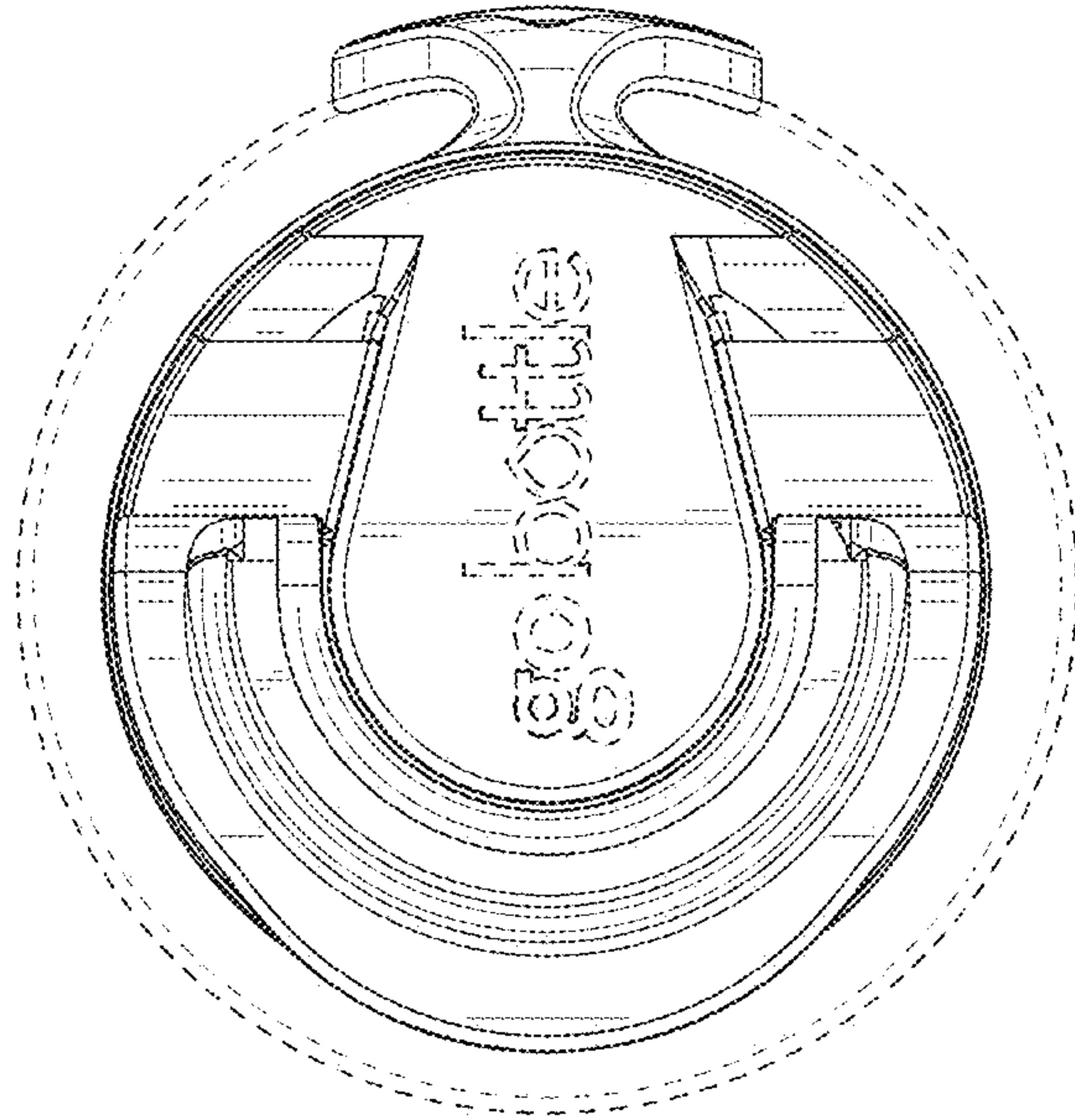


FIG. 6

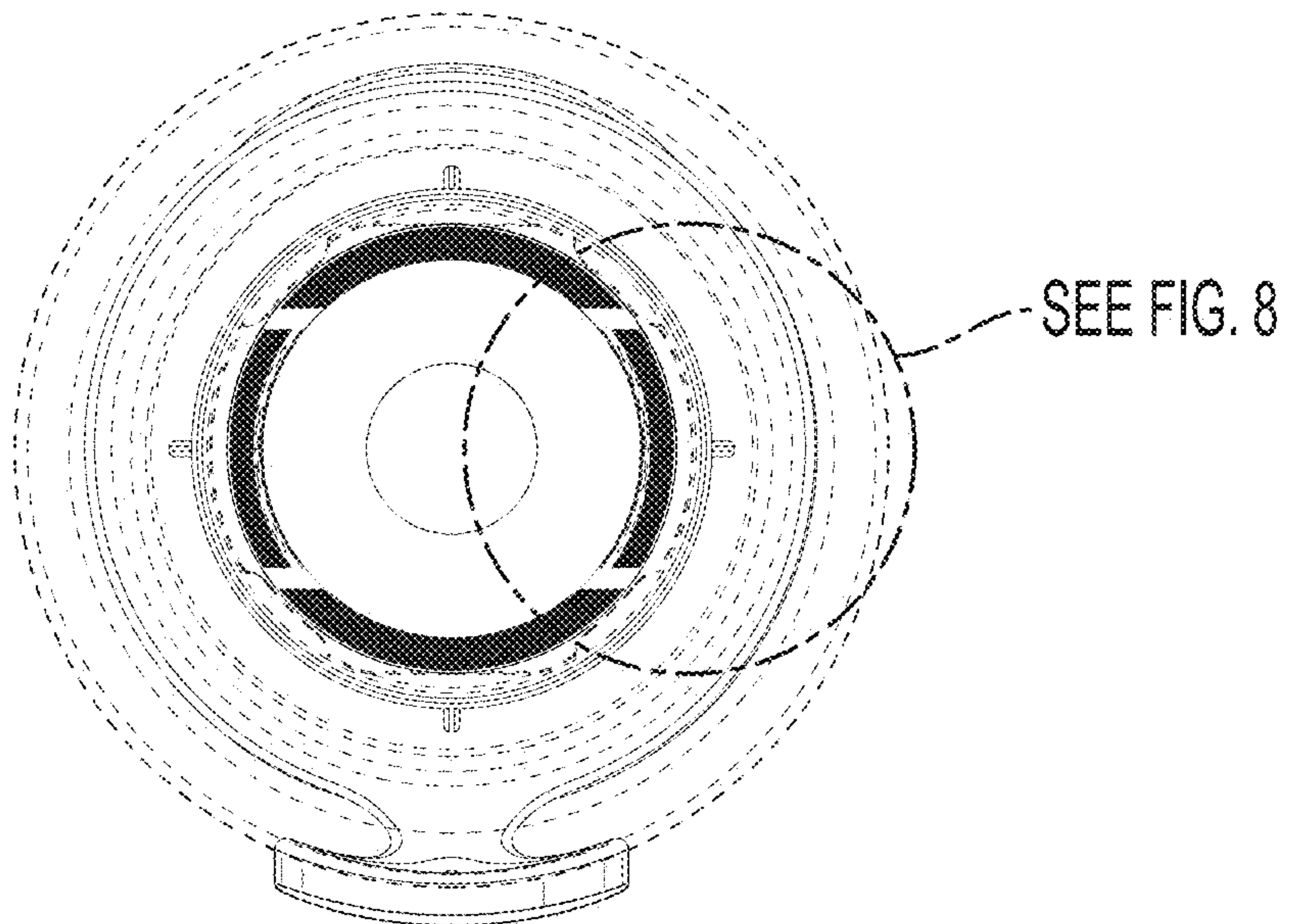


FIG. 7

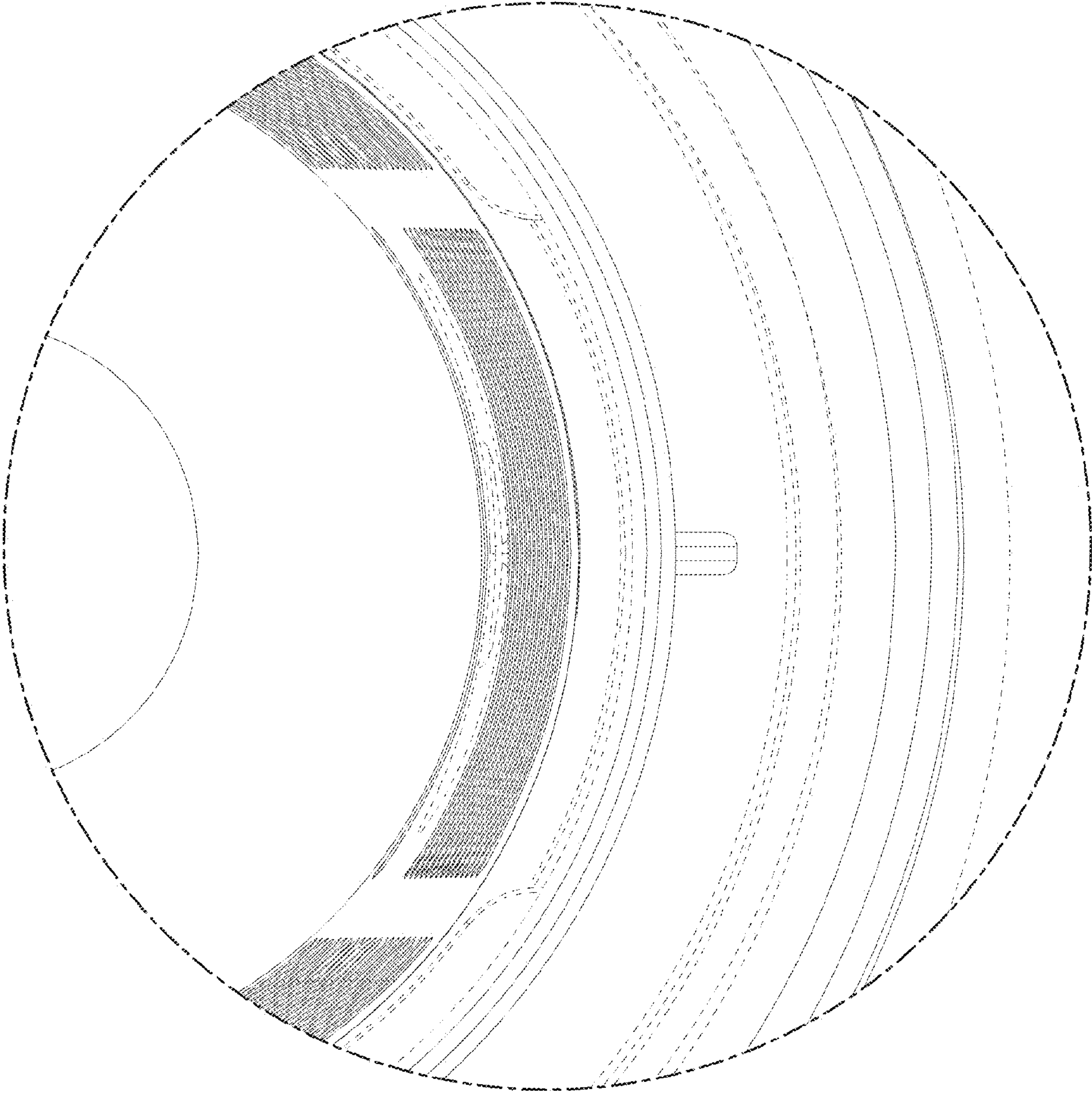


FIG. 8