

US00D876886S

(12) **United States Design Patent**
Sitwell et al.

(10) **Patent No.:** **US D876,886 S**
(45) **Date of Patent:** **** Mar. 3, 2020**

(54) **BEVERAGE CONTAINER PART**

(71) Applicant: **Dexos Drinks Limited**, London (GB)

(72) Inventors: **Vincent Sitwell**, London (GB); **Kamila Sitwell**, London (GB); **Lucas Karel Johannes Van Den Broek**, East Sussex (GB)

(73) Assignee: **Dexos Drinks Limited**, London (GB)

(**) Term: **15 Years**

(21) Appl. No.: **29/637,864**

(22) Filed: **Feb. 22, 2018**

(30) **Foreign Application Priority Data**

Aug. 25, 2017 (EM) 004164671-0001
Aug. 25, 2017 (EM) 004164671-0002
Aug. 25, 2017 (EM) 004164671-0003

(51) **LOC (12) Cl.** **07-01**

(52) **U.S. Cl.**
USPC **D7/392.1; D7/396.2**

(58) **Field of Classification Search**
USPC D7/310, 312, 314, 315, 316, 317, 318,
D7/319, 320, 591, 592, 598, 600, 622,
D7/667, 668, 392, 392.1, 396.6, 503, 507,
D7/509, 510, 511, 514, 515, 522, 513,
D7/523, 533, 559, 535, 532, 403, 396.2;
D9/500, 678, 669, 715, 719, 536, 528,
D9/531, 534, 435, 440, 443; 215/380,
215/382, 398, 396; 220/495.03, 23, 494;
206/217; 229/400, 402, 404
CPC A47J 31/14; A47J 36/14; A47J 31/005;
A47J 31/00; A47G 19/14; A47G 19/2272
See application file for complete search history.

(56) **References Cited**

U.S. PATENT DOCUMENTS

5,400,907 A * 3/1995 Chen A47G 19/2227
206/459.1
D369,723 S * 5/1996 McArthur D7/608

D453,449 S * 2/2002 Williams D7/624.2
D474,650 S * 5/2003 Reeves D7/608
D509,101 S * 9/2005 Søndergaard et al. D7/392.1
D668,914 S * 10/2012 Riedel D7/510
D676,277 S * 2/2013 Riedel D7/396.1
D746,634 S * 1/2016 Lapsker D7/510
D746,635 S * 1/2016 Lapsker D7/510
D784,812 S * 4/2017 Miller D9/435
D799,266 S * 10/2017 Schroedter D7/507
D801,753 S * 11/2017 Piper D7/624.2
D823,070 S * 7/2018 Boroski D7/608
D823,647 S * 7/2018 Curl, Jr. D7/624.1
D830,788 S * 10/2018 Petrillo D7/624.2
D839,676 S * 2/2019 Seiders D7/523
D839,677 S * 2/2019 Seiders D7/523

(Continued)

Primary Examiner — Jae Liang

(74) *Attorney, Agent, or Firm* — William H. Bollman

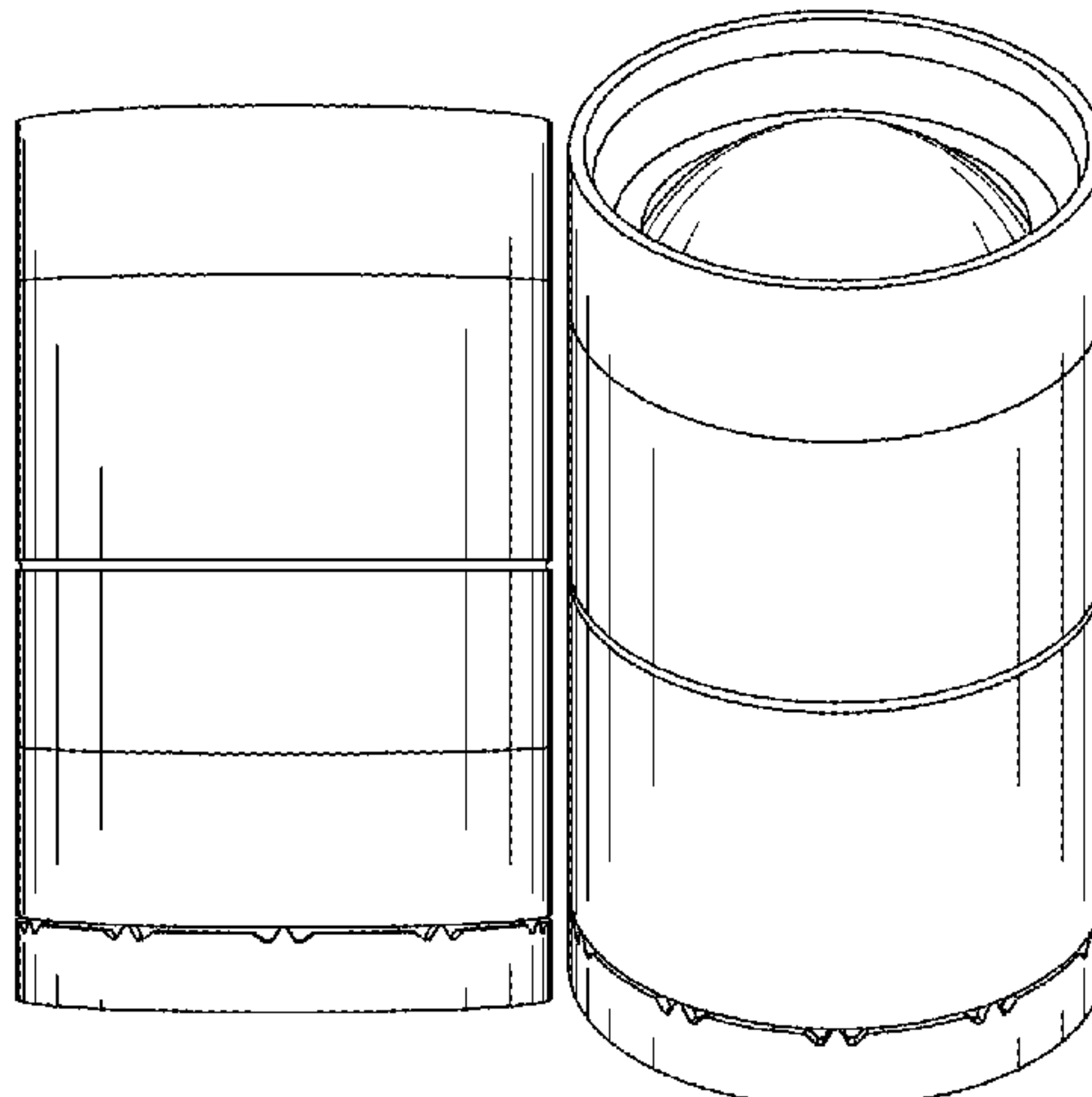
(57) **CLAIM**

The ornamental design for a beverage container part, as shown and described.

DESCRIPTION

FIG. 1 is a front view of the beverage container part showing our new design; the rear view being a mirror image thereof. FIG. 2 is a top view thereof; FIG. 3 is a bottom view thereof; FIG. 4 is an upper perspective view thereof; FIG. 5 is an exploded upper perspective view thereof showing included internal components; and, FIG. 6 is an exploded lower perspective view thereof showing the included internal components. The broken lines in the drawings depict portions of the beverage container part that form no part of the claimed design.

1 Claim, 5 Drawing Sheets



(56)

References Cited

U.S. PATENT DOCUMENTS

2013/0270264 A1* 10/2013 Suljak A45C 11/20
220/4.03
2014/0238949 A1* 8/2014 Patel B65D 21/0228
215/6

* cited by examiner

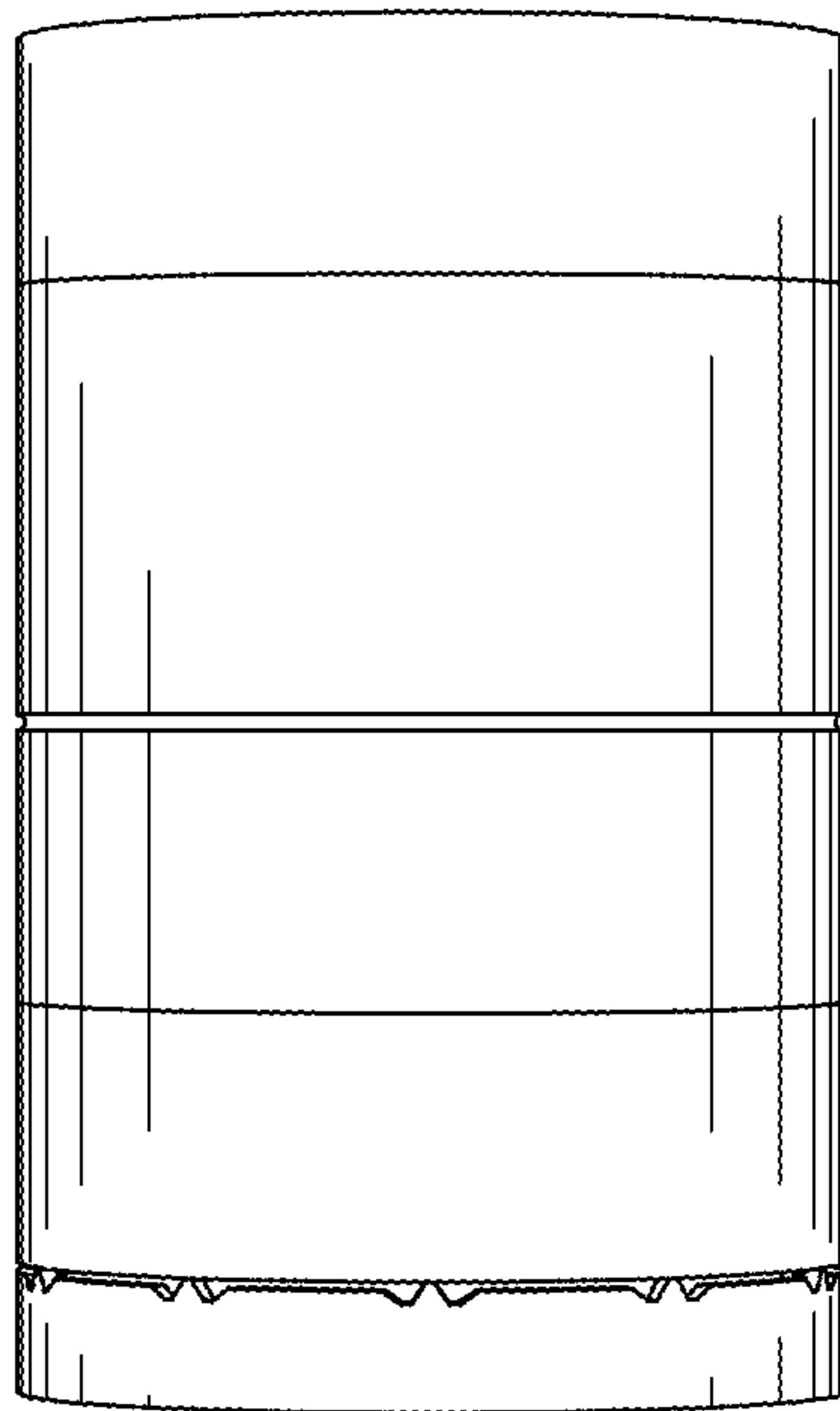


FIG. 1

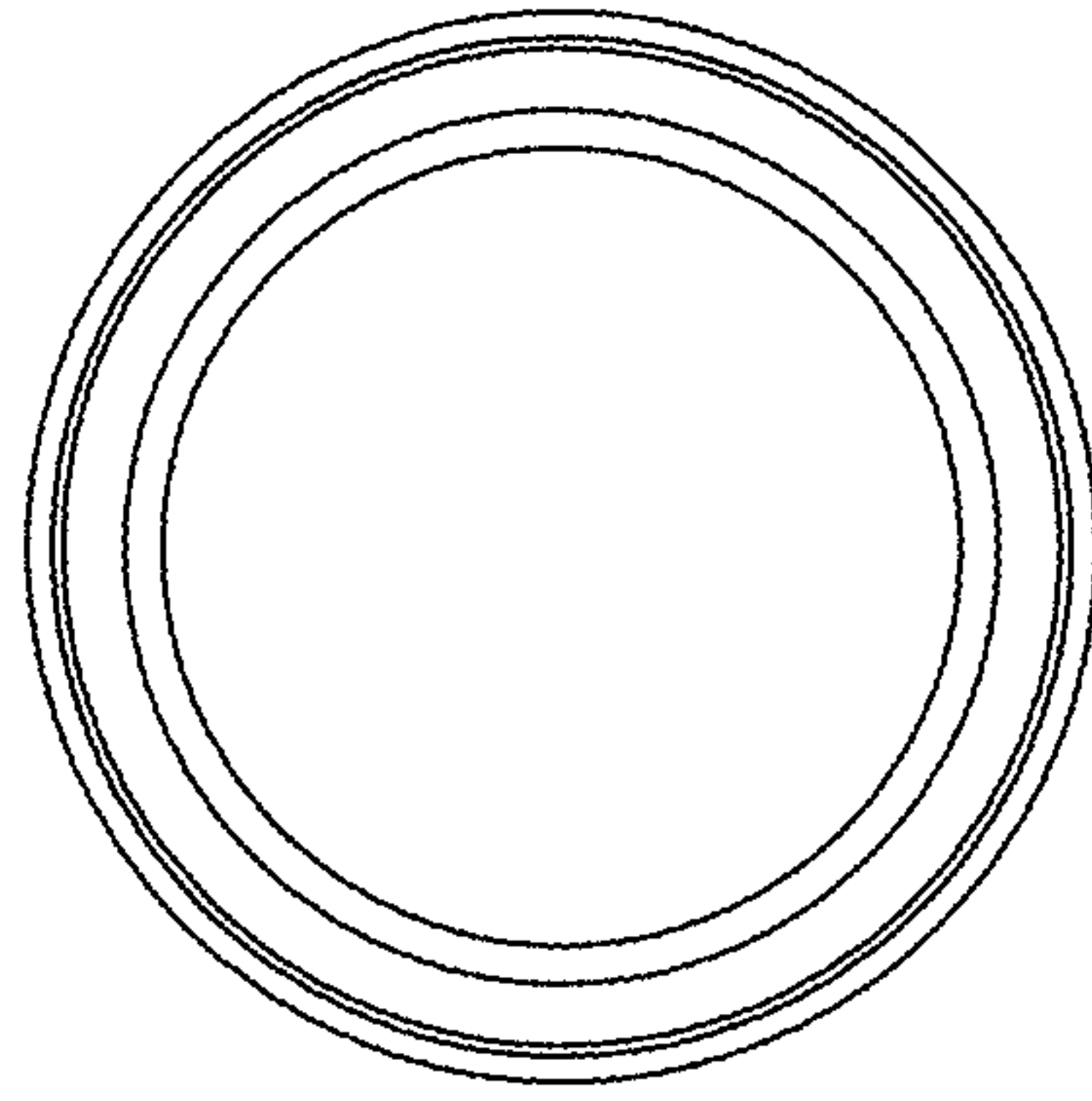


FIG. 2

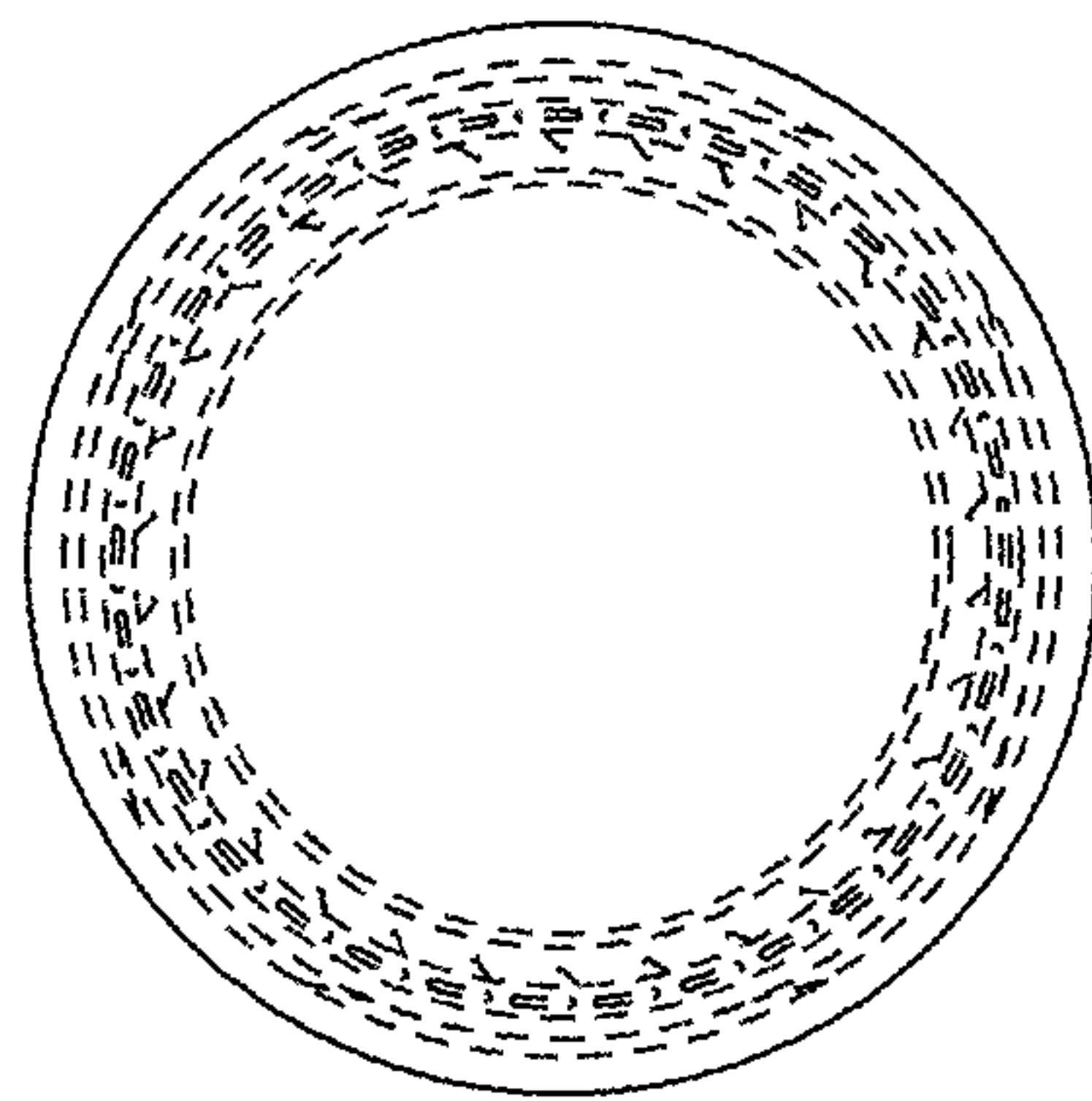


FIG. 3

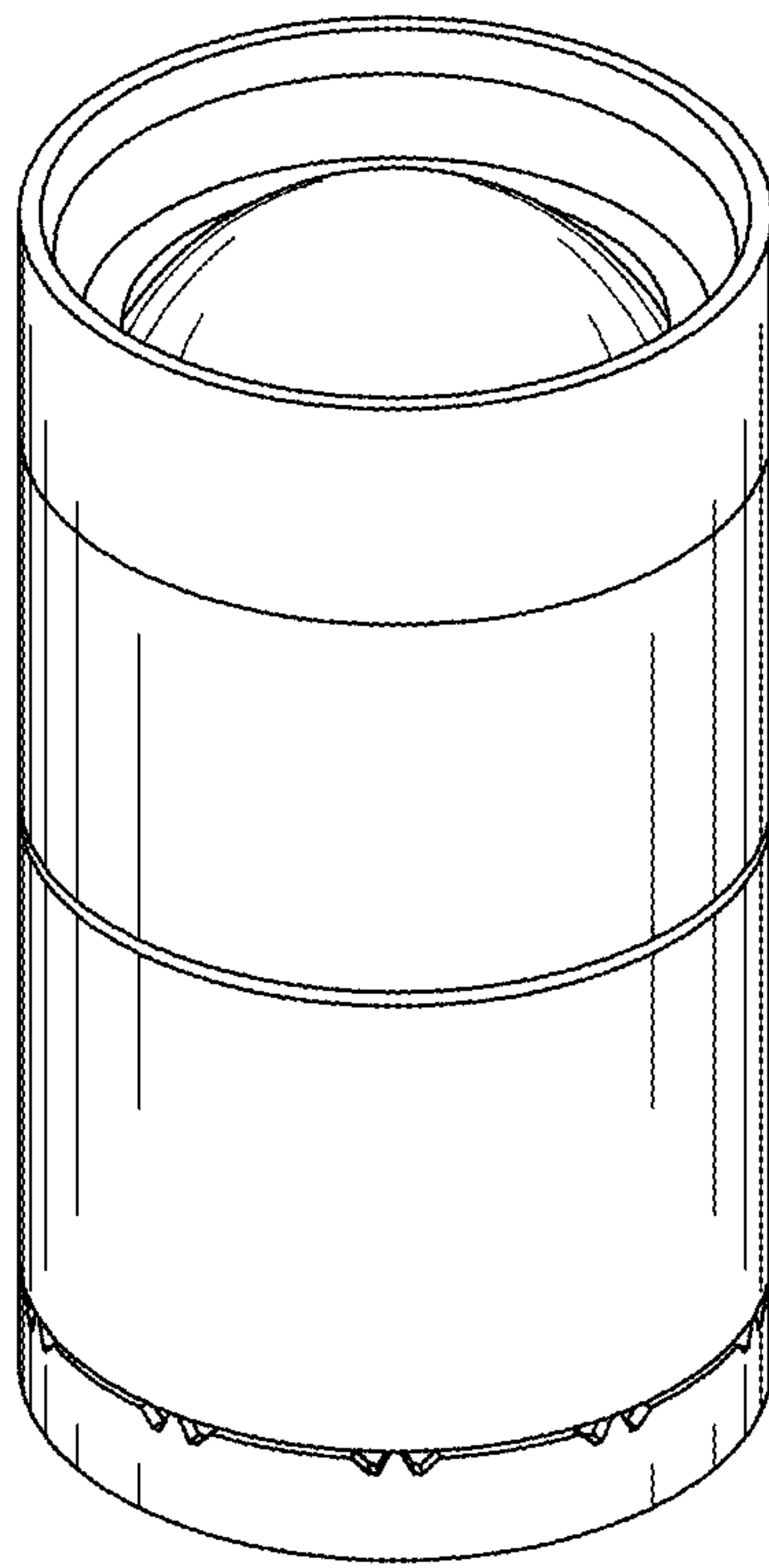


FIG. 4

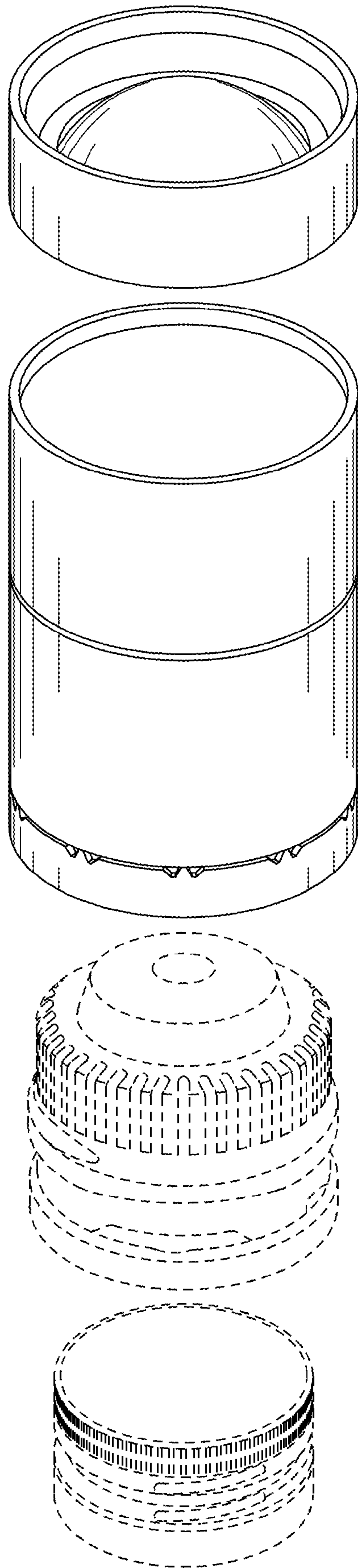


FIG. 5

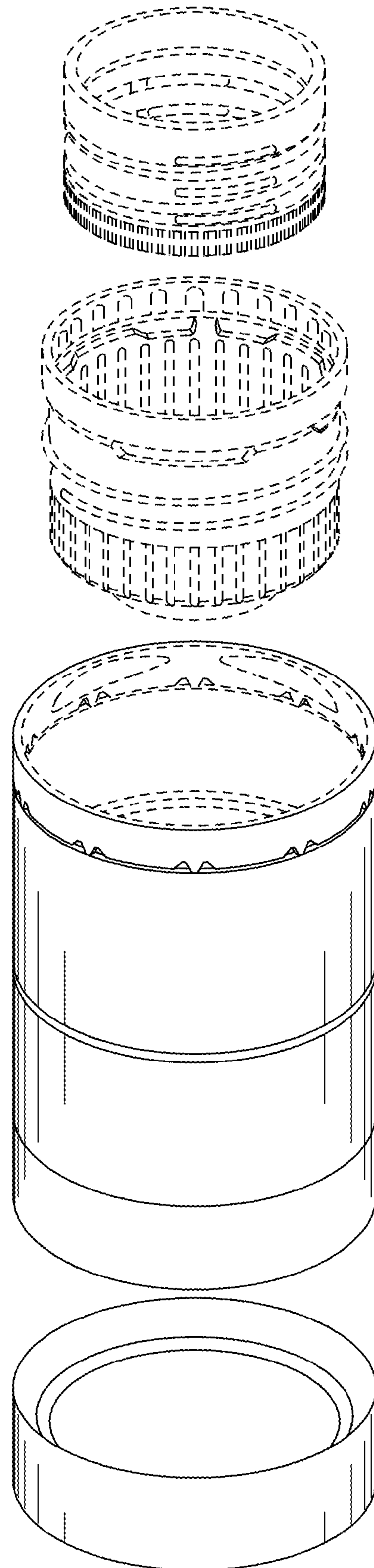


FIG. 6