



US00D876885S

(12) **United States Design Patent** (10) **Patent No.:** **US D876,885 S**  
**Smith** (45) **Date of Patent:** **\*\* Mar. 3, 2020**

(54) **LID FOR A FOOD PROCESSOR**

FOREIGN PATENT DOCUMENTS

(71) Applicant: **SharkNinja Operating LLC**,  
Needham, MA (US)

EM 0013887970002 8/2013  
JP S6339330 B2 8/1988

(Continued)

(72) Inventor: **Cory Smith**, Auburndale, MA (US)

OTHER PUBLICATIONS

(73) Assignee: **SHARKNINJA OPERATING LLC**,  
Needham, MA (US)

Design No. 28449; Soviet Design Gazette; vol. 3; Published: Sep.  
15, 1990; pp. 180-181.

(\*\*) Term: **15 Years**

(Continued)

(21) Appl. No.: **29/699,946**

*Primary Examiner* — Ricky Pham

(22) Filed: **Jul. 30, 2019**

(74) *Attorney, Agent, or Firm* — Cantor Colburn LLP

**Related U.S. Application Data**

(63) Continuation of application No. 29/673,938, filed on  
Dec. 18, 2018, now Pat. No. Des. 861,428, which is  
a continuation of application No. 29/611,681, filed on  
Jul. 24, 2017, now Pat. No. Des. 840,745.

(57) **CLAIM**

The ornamental design for lid for a food processor, as shown  
and described.

(51) **LOC (12) Cl.** ..... **31-00**

(52) **U.S. Cl.**  
USPC ..... **D7/391**; D7/376; D7/384

(58) **Field of Classification Search**  
USPC ..... D7/300.1, 372, 376–386, 412–413, 602,  
D7/629, 665–666, 669, 679, 693–694  
CPC .... A21C 1/02; A21C 1/04; A23N 1/00; A23N  
1/02; A47J 43/04; A47J 43/25; A47J  
43/27; A47J 43/042; A47J 43/044; A47J  
43/046; A47J 43/075; A47J 43/0722;  
A47J 43/0727; B01F 3/00; B01F 3/0807;  
B01F 3/0853; B01F 13/0059; B01F  
13/0064; B02C 1/08; B02C 2/04; B02C  
4/42; B02C 4/142; B02C

(Continued)

**DESCRIPTION**

FIG. 1 is a perspective view of a food processor lid, showing  
my new design;  
FIG. 2 is a front view of the embodiment shown in FIG. 1;  
FIG. 3 is a rear view of the embodiment shown in FIG. 1;  
FIG. 4 is a side view of the embodiment shown in FIG. 1;  
FIG. 5 is another side view of the embodiment shown in  
FIG. 1;  
FIG. 6 is a top view of the embodiment shown in FIG. 1;  
and,  
FIG. 7 is a bottom view of the embodiment shown in FIG.  
1.

The broken lines in the figures are for environmental pur-  
poses only and form no part of the claimed design.

The oblique line shading represents transparent, translucent  
or reflective surfaces.

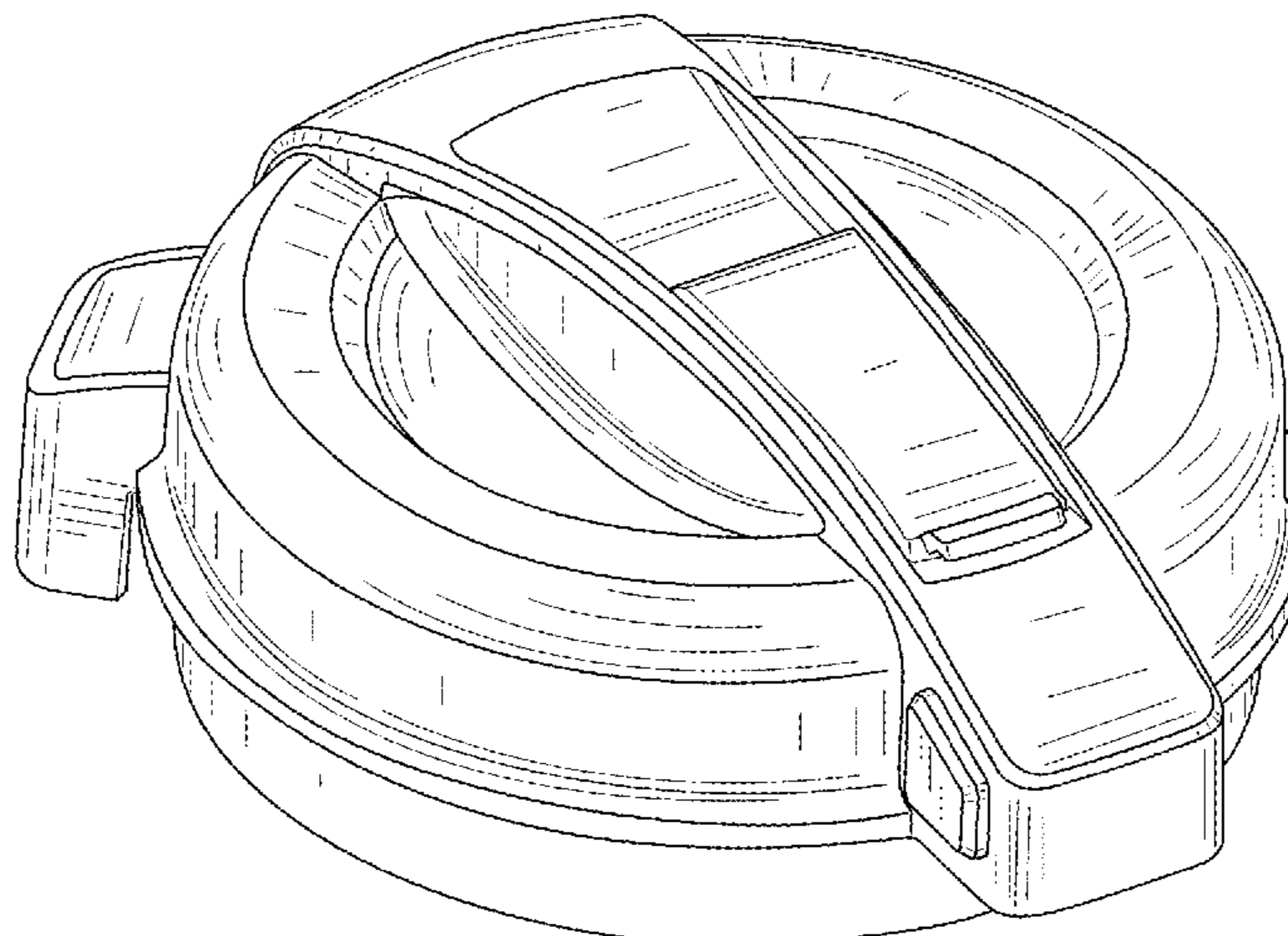
(56) **References Cited**

**U.S. PATENT DOCUMENTS**

D191,152 S 8/1961 Rawson  
D242,208 S 11/1976 Madl et al.  
D256,318 S 8/1980 Levin

(Continued)

**1 Claim, 5 Drawing Sheets**



(58) **Field of Classification Search**  
 CPC ..... 4/143; B02C 4/423; B02C 13/1835; B28C  
 5/10; B28C 5/12; B28C 5/14; B28C 5/16  
 See application file for complete search history.

(56) **References Cited**

U.S. PATENT DOCUMENTS

D293,195 S 12/1987 Kim  
 D302,228 S 7/1989 Barrault  
 D338,803 S 8/1993 Littmann  
 D347,966 S 6/1994 Doggett  
 D367,583 S 3/1996 Littmann  
 D373,703 S 9/1996 Frisell  
 D404,606 S 1/1999 Huang  
 D404,607 S 1/1999 Huang  
 6,092,922 A 7/2000 Kett et al.  
 D444,026 S 6/2001 Chaudeurge  
 D445,637 S 7/2001 Feil  
 D445,644 S 7/2001 Littmann  
 D450,978 S 11/2001 Smith  
 D453,662 S 2/2002 Hensel  
 D488,344 S 4/2004 Seum et al.  
 D499,602 S 12/2004 Feil  
 D502,047 S 2/2005 Ledingham et al.  
 D512,265 S 12/2005 McCurrach  
 D526,531 S 8/2006 Drees et al.  
 D530,565 S 10/2006 Grcic  
 D532,251 S 11/2006 Kassenaar  
 D533,395 S 12/2006 Drees et al.  
 D537,674 S 3/2007 Davenport et al.  
 D551,915 S 10/2007 Chang Chien  
 D552,412 S 10/2007 Steiner  
 D552,419 S 10/2007 Picozza et al.  
 D553,426 S \* 10/2007 Lin ..... D7/378  
 D553,904 S 10/2007 Romandy  
 D567,578 S 4/2008 Chiappetta  
 D568,096 S 5/2008 Sun  
 D577,537 S 9/2008 Lee  
 D587,961 S 3/2009 Lavy  
 7,581,668 B2 9/2009 Mally  
 D605,462 S 12/2009 Picozza et al.  
 D611,760 S 3/2010 Ball  
 D615,347 S 5/2010 Garman et al.  
 D617,136 S 6/2010 Bock et al.  
 D617,145 S 6/2010 Picozza et al.  
 D625,141 S 10/2010 Moore  
 7,871,195 B2 1/2011 Larsen et al.  
 D637,870 S 5/2011 Bock  
 D642,857 S 8/2011 Bodum  
 D644,480 S 9/2011 Czach et al.  
 D645,301 S 9/2011 Tse  
 D647,357 S 10/2011 Audette et al.  
 D647,367 S 10/2011 Audette et al.  
 D647,368 S 10/2011 Audette et al.  
 D650,229 S 12/2011 Hensel et al.  
 D654,305 S 2/2012 Gursel et al.  
 D655,981 S 3/2012 Gursel et al.  
 D658,430 S 5/2012 Hoare et al.  
 D659,469 S 5/2012 Hoare et al.  
 D660,642 S 5/2012 Boozer et al.  
 D661,548 S 6/2012 Brinckerhoff et al.  
 D667,259 S 9/2012 Lee et al.  
 D667,260 S 9/2012 Lee et al.  
 D667,261 S 9/2012 Lee et al.  
 D668,100 S 10/2012 Palermo et al.  
 D674,235 S 1/2013 Lee et al.  
 D674,658 S 1/2013 Fouquet  
 D677,976 S 3/2013 Palermo et al.  
 D690,152 S 9/2013 Palermo et al.  
 D694,573 S 12/2013 Norland et al.  
 D694,574 S 12/2013 Norland et al.  
 D694,582 S 12/2013 Norland  
 D694,583 S 12/2013 Norland  
 D695,060 S 12/2013 Penaherrera et al.  
 D696,063 S 12/2013 Coakley et al.  
 D699,996 S \* 2/2014 De Leo ..... D7/300.1

D702,078 S 4/2014 Coakley et al.  
 D704,502 S 5/2014 Coakley et al.  
 D708,007 S 7/2014 Lazzer  
 D711,688 S 8/2014 Prats  
 D730,681 S 6/2015 Smith et al.  
 D730,682 S 6/2015 Tu  
 D730,683 S 6/2015 Tu  
 D731,234 S 6/2015 Weaden et al.  
 D731,850 S 6/2015 Smith  
 D733,488 S 7/2015 Tu  
 D745,316 S 12/2015 Usmar  
 D745,317 S 12/2015 Dichraff et al.  
 9,265,381 B2 2/2016 Beber et al.  
 D755,003 S 5/2016 Palermo et al.  
 D758,126 S 6/2016 Benoit et al.  
 D761,617 S 7/2016 Dennisur et al.  
 D765,462 S 9/2016 Davies  
 D765,465 S 9/2016 Du  
 D766,649 S 9/2016 Suzuki  
 9,439,538 B2 9/2016 Paget  
 D771,999 S 11/2016 Kettavong et al.  
 D772,011 S 11/2016 Barquin et al.  
 D772,650 S 11/2016 Barquin et al.  
 D773,247 S 12/2016 Barquin et al.  
 D773,248 S 12/2016 Barquin et al.  
 D773,249 S 12/2016 Barquin et al.  
 D777,515 S 1/2017 Potter et al.  
 D778,665 S 2/2017 Barquin et al.  
 D779,265 S 2/2017 Barquin et al.  
 D780,507 S 3/2017 Barquin et al.  
 D783,340 S 4/2017 Palermo et al.  
 D783,355 S 4/2017 Tu  
 D784,069 S 4/2017 Blaise  
 D786,613 S 5/2017 McConnell et al.  
 D786,614 S 5/2017 Smith et al.  
 D786,615 S 5/2017 Tsai  
 D787,882 S 5/2017 McConnell et al.  
 D787,883 S 5/2017 Tu  
 D788,520 S 6/2017 Blaise  
 D789,735 S 6/2017 Palermo et al.  
 D789,736 S 6/2017 Palermo et al.  
 9,675,212 B2 6/2017 Hewitt et al.  
 D793,153 S 8/2017 Tu  
 D794,384 S 8/2017 Lee  
 D795,005 S 8/2017 Coakley et al.  
 D797,496 S 9/2017 Gee, II et al.  
 D797,505 S 9/2017 Tu  
 D807,118 S 1/2018 Kettavong et al.  
 D808,718 S 1/2018 Coakley  
 D808,719 S 1/2018 Coakley  
 9,855,535 B2 1/2018 Arnett et al.  
 D809,333 S 2/2018 Lee  
 D809,334 S 2/2018 Lee  
 D809,342 S 2/2018 Coakley  
 D811,166 S 2/2018 Smith  
 D811,804 S \* 3/2018 Smith ..... D7/384  
 D811,805 S \* 3/2018 Smith ..... D7/384  
 D811,806 S 3/2018 Bock  
 D812,963 S 3/2018 Smith  
 D812,964 S 3/2018 Tu  
 D813,603 S 3/2018 Tu  
 D818,308 S 5/2018 Smith  
 D821,806 S 7/2018 Coakley et al.  
 D823,637 S 7/2018 Coakley  
 D830,115 S 10/2018 Gee, II et al.  
 D832,029 S 10/2018 Gee, II et al.  
 D840,745 S \* 2/2019 Smith ..... D7/384  
 D844,370 S 4/2019 Gee et al.  
 D846,338 S 4/2019 Smith et al.  
 D846,341 S \* 4/2019 Smith ..... D7/384  
 D846,342 S \* 4/2019 Smith ..... D7/384  
 D846,350 S \* 4/2019 Smith ..... D7/413  
 D846,351 S \* 4/2019 Smith ..... D7/413  
 D847,559 S 5/2019 Coakley et al.  
 2008/0089170 A1 4/2008 Larsen et al.  
 2008/0089171 A1 4/2008 Larsen et al.  
 2008/0219089 A1 9/2008 Sandford et al.  
 2009/0129200 A1 5/2009 Breviere et al.  
 2010/0246319 A1 9/2010 Pryor, Jr. et al.

(56)

**References Cited**

## U.S. PATENT DOCUMENTS

2014/0247686 A1 9/2014 Arnett et al.  
 2016/0220071 A1 8/2016 Hewitt et al.  
 2016/0331182 A1 11/2016 Golino

## FOREIGN PATENT DOCUMENTS

JP	D1491536 S	3/2014
JP	D1488258 S	1/2015
JP	D1533047 S	9/2015
JP	D1545614 S	3/2016
JP	D1592330 S	12/2017
JP	D1592331 S	12/2017
JP	D1603847 S	5/2018
JP	D1603848 S	5/2018
KR	300382339 S	5/2005
KR	300398683 S	11/2005

## OTHER PUBLICATIONS

Japanese Design No. D1491535 (S); Publication Date: Mar. 3, 2014; Machine Translation; 9 Pages.  
 Japanese Design No. D1491536 (S); Publication Date: Mar. 3, 2014; Machine Translation; 9 Pages.  
 Japanese Design No. D1518840 (S); Publication Date: Mar. 9, 2015; Machine Translation; 10 Pages.  
 Japanese Design No. D1523840 (S); Publication Date: May 18, 2015; Machine Translation; 9 Pages.  
 Japanese Design No. D1528172 (S); Publication Date: Jul. 6, 2015; Machine Translation; 9 Pages.  
 Japanese Design No. D1533047 (S); Publication Date: Sep. 7, 2015; Machine Translation; 9 Pages.  
 Japanese Design No. D1545614 (S); Publication Date: Mar. 14, 2016; Machine Translation; 6 Pages.  
 Japanese Design No. D1592330 (S); Publication Date: Dec. 4, 2017; Machine Translation; 14 Pages.  
 Japanese Design No. D1592331 (S); Publication Date: Dec. 4, 2017; Machine Translation; 14 Pages.  
 JP Notice of Allowance with English Translation; Japanese Design Application No. 2018-1279; dated Sep. 28, 2018; pp. 1-6.  
 JP Notice of Allowance with English Translation; Japanese Design Application No. 2018-1280; dated Sep. 28, 2018; pp. 1-6.  
 JP Notice of Allowance with English Translation; Japanese Design Application No. 2018-1281; dated Sep. 28, 2018; pp. 1-6.  
 JP Notice of Allowance with English Translation; Japanese Design Application No. 2018-1282; dated Sep. 28, 2018; pp. 1-6.  
 JP Notice of Allowance with English Translation; Japanese Design Application No. 2018-1284; dated Sep. 28, 2018; pp. 1-6.  
 JP Notice of Allowance with English Translation; Japanese Design Application No. 2018-1285; dated Sep. 28, 2018; pp. 1-6.  
 JP Notice of Allowance with English Translation; Japanese Design Application No. 2018-1286; dated Sep. 28, 2018; pp. 1-6.  
 JP Notice of Allowance with English Translation; Japanese Design Application No. 2018-1287; dated Sep. 28, 2018; pp. 1-6.  
 JP Notice of Allowance with English Translation; Japanese Design Application No. 2018-1289; dated Sep. 28, 2018; pp. 1-6.  
 JP Notice of Allowance with English Translation; Japanese Design Application No. 2018-1292; dated Sep. 28, 2018; pp. 1-6.  
 JP Notice of Allowance with English Translation; Japanese Design Application No. 2018-1293; dated Sep. 28, 2018; pp. 1-6.  
 JP Notice of Allowance with English Translation; Japanese Design Application No. 2018-1295; dated Sep. 28, 2018; pp. 1-6.  
 JP Notice of Allowance with English Translation; Japanese Design Application No. 2018-1296; dated Sep. 28, 2018; pp. 1-6.  
 JP Notice of Allowance with English Translation; Japanese Design Application No. 2018-1297; dated Sep. 28, 2018; pp. 1-6.  
 JP Notice of Allowance with English Translation; Japanese Design Application No. 2018-1298; dated Sep. 28, 2018; pp. 1-6.  
 JP Notice of Allowance with English Translation; Japanese Design Application No. 2018-6518; dated Sep. 28, 2018; pp. 1-6.

Notice of Allowance; Blender Base; U.S. Appl. No. 29/531,840, filed Jun. 30, 2015; dated Nov. 25, 2016; 11 Pages.  
 Notice of Allowance; Blender Base; U.S. Appl. No. 29/531,840, filed Jun. 30, 2015; dated Feb. 16, 2017; 11 Pages.  
 Notice of Allowance; Blender; U.S. Appl. No. 29/519,682, filed Mar. 6, 2015; dated Sep. 23, 2016; 12 Pages.  
 Notice of Allowance; Blender; U.S. Appl. No. 29/527,670, filed May 21, 2015; dated Sep. 27, 2016; 12 Pages.  
 Notice of Allowance; Food Processor and Parts Thereof; U.S. Appl. No. 29/673,938, filed Dec. 18, 2018; dated May 1, 2019; 1-29 Pages.  
 Notice of Allowance; Food Processor and Parts Thereof; U.S. Appl. No. 29/611,681, filed Jul. 24, 2017; dated Sep. 21, 2018; 1-56 Pages.  
 Notice of Allowance; U.S. Appl. No. 29/519,682, filed Mar. 6, 2015; Blender; dated Jan. 9, 2017; 11 Pages.  
 Notice of Allowance; U.S. Appl. No. 29/527,670, filed May 21, 2015; Blender; dated Jan. 9, 2017; 11 Pages.  
 Notice of Allowance; U.S. Appl. No. 29/600,126, filed Apr. 10, 2017; Blender; dated Nov. 15, 2017; 21 Pages.  
 Notice of References; Japanese Design Application No. 2015-19809; dated Jan. 8, 2016; 2 Pages.  
 Notice of References; Japanese Design Application No. 2015-19810; dated Jan. 8, 2016; 2 Pages.  
 Notice of References; Japanese Design Application No. 2015-19811; dated Jan. 8, 2016; 2 Pages.  
 Notice of References; Japanese Design Application No. 2015-19812; dated Jan. 8, 2016; 2 Pages.  
 Notice of References; Japanese Design Application No. 2015-19813; dated Jan. 8, 2016; 2 Pages.  
 Notice of References; Japanese Design Application No. 2015-19814; dated Jan. 8, 2016; 2 Pages.  
 Notice of References; Japanese Design Application No. 2015-19815; dated Jan. 8, 2016; 2 Pages.  
 Notice of References; Japanese Design Application No. 2015-19816; dated Jan. 8, 2016; 2 Pages.  
 Notice of References; Japanese Design Application No. 2015-19817; dated Jan. 8, 2016; 2 Pages.  
 Requirement for Restriction/Election; Blender Base; U.S. Appl. No. 29/653,896, filed Jun. 19, 2018; 1-31 Pages.  
 Requirement for Restriction/Election; Blender; U.S. Appl. No. 29/519,682, filed Mar. 6, 2015; 6 Pages.  
 Requirement for Restriction/Election; Blender; U.S. Appl. No. 29/527,670, filed May 21, 2015; 6 Pages.  
 Requirement for Restriction/Election; Blender; U.S. Appl. No. 29/531,840, filed Jun. 30, 2015; 7 Pages.  
 Requirement for Restriction/Election; Blender; U.S. Appl. No. 29/600,129, filed Apr. 10, 2017; dated Oct. 10, 2017; 30 Pages.  
 Requirement for Restriction/Election; Blender; U.S. Appl. No. 29/604,189, filed May 16, 2017; dated Oct. 10, 2017; 33 Pages.  
 Requirement for Restriction/Election; Food Processor and Parts Thereof; U.S. Appl. No. 29/611,684, filed Jul. 24, 2017; 1-50 Pages.  
 Requirement for Restriction/Election; Food Processor and Parts Thereof; U.S. Appl. No. 29/611,685, filed Jul. 24, 2017; 1-50 Pages.  
 Requirement for Restriction/Election; Food Processor and Parts Thereof; U.S. Appl. No. 29/633,798, filed Jan. 16, 2018; 1-20 Pages.  
 Requirement for Restriction/Election; Food Processor and Parts Thereof; U.S. Appl. No. 29/634,264, filed Jan. 19, 2018; 1-20 Pages.  
 Requirement for Restriction/Election; Food Processor and Parts Thereof; U.S. Appl. No. 29/637,154, filed Feb. 14, 2018; 1-21 Pages.  
 Requirement for Restriction/Election; U.S. Appl. No. 29/576,018, filed Aug. 31, 2016; Food Processor and Parts Thereof; dated Jul. 6, 2017; 7 Pages.  
 Requirement for Restriction/Election; U.S. Appl. No. 29/576,020, filed Aug. 31, 2016; Food Processor and Parts Thereof; dated Jul. 5, 2017; 7 Pages.  
 Requirement for Restriction/Election; U.S. Appl. No. 29/576,021, filed Aug. 31, 2016; Food Processor and Parts Thereof; dated Jul. 6, 2017; 7 Pages.  
 Walmart; "Oster 600-Watt Fusion Blender, BRLY07-B00-000"; URL: <http://www.walmart.com/ip/Oster-600-Watt-Fusion-Blender/9604653>; URL Accessed: Jul. 29, 2016; 8 Pages.

(56)

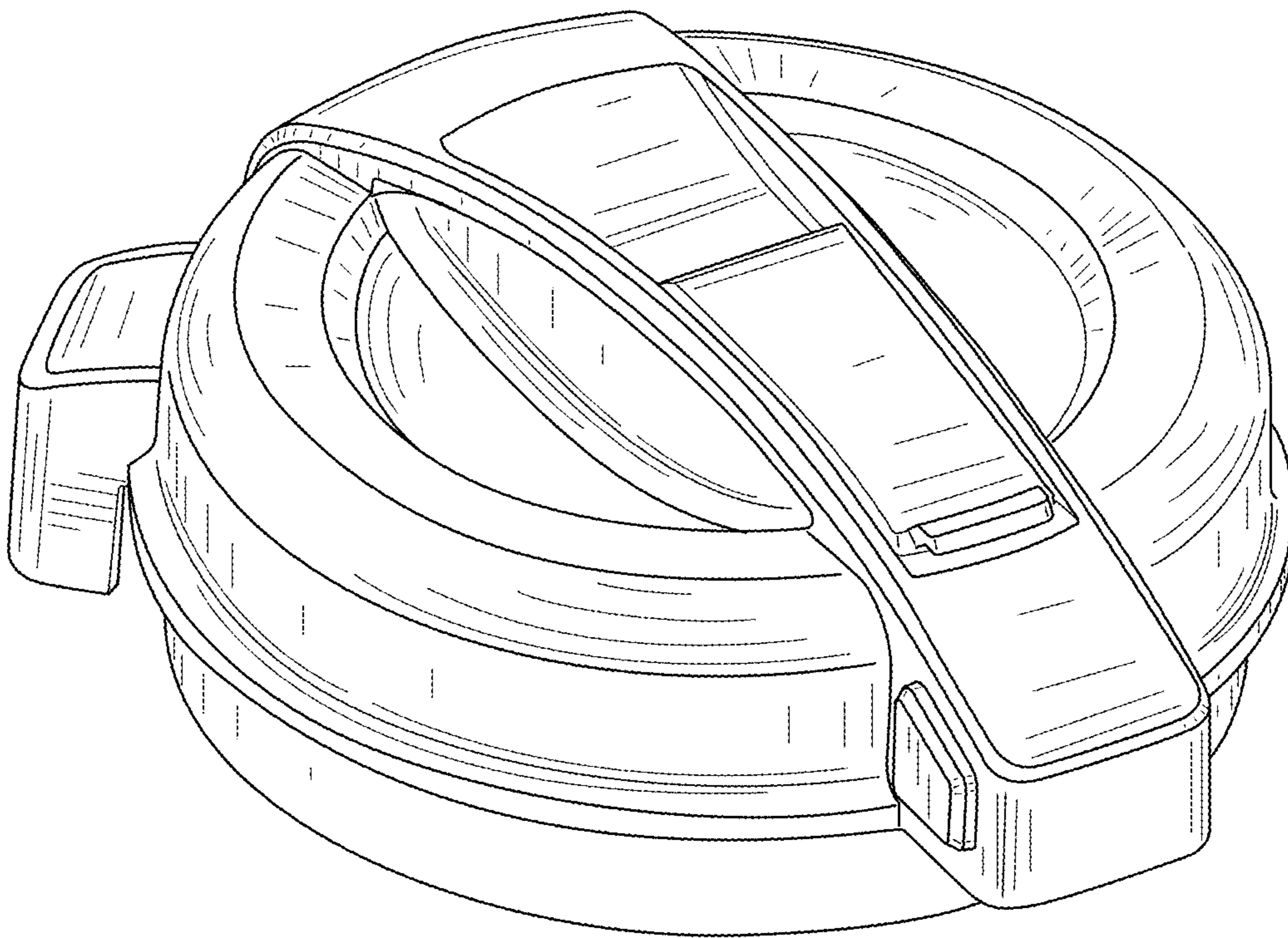
**References Cited**

OTHER PUBLICATIONS

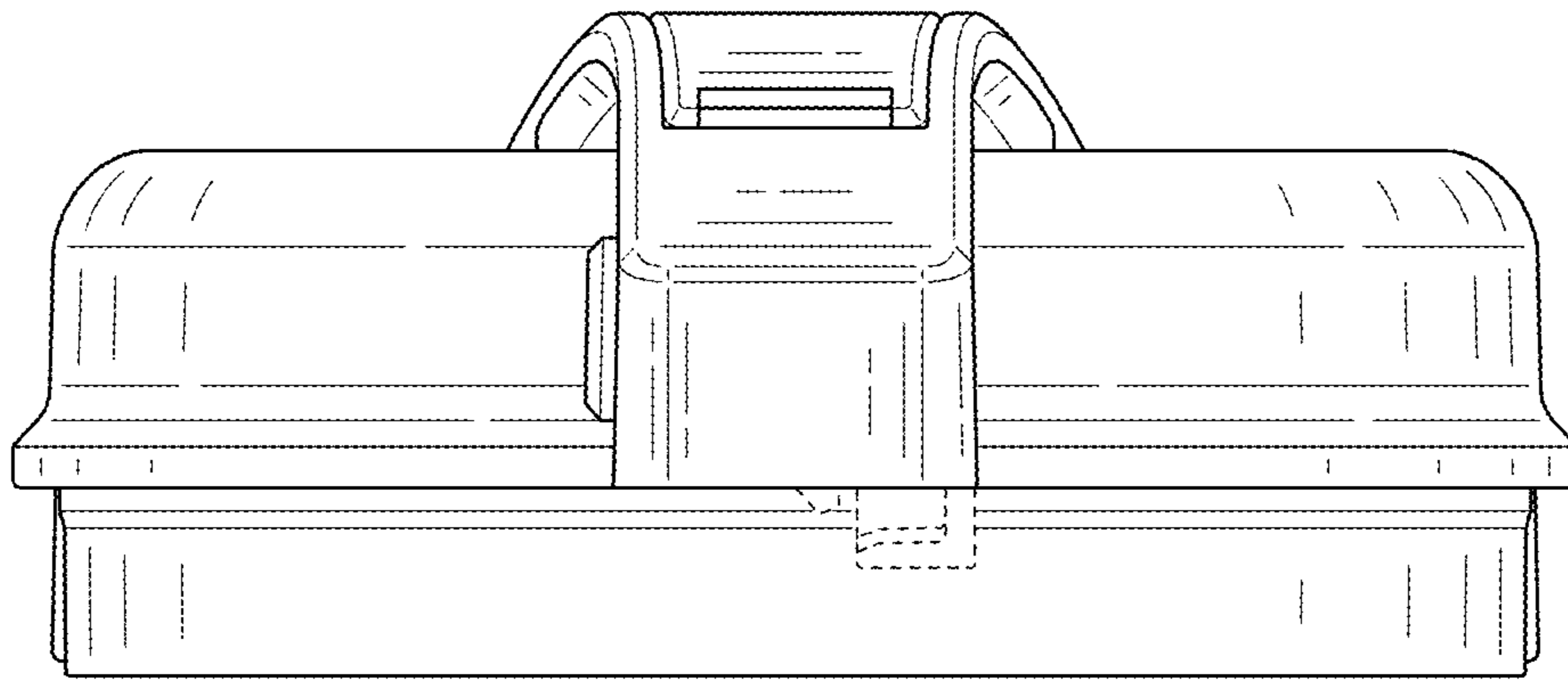
WMF Wurttembergische Metallwarenfabrik; 61 3024 5401; JPO Publicly Known Design No. HJ26034868; Listed in Notice of Allowance Received in JP Appln. No. 2017-019764, dated Mar. 9, 2018; 3 Pages.

Notice of Allowance; Blender Base; U.S. Appl. No. 29/685,512, filed Mar. 28, 2019; dated Jun. 26, 2019; 1-41 Pages.

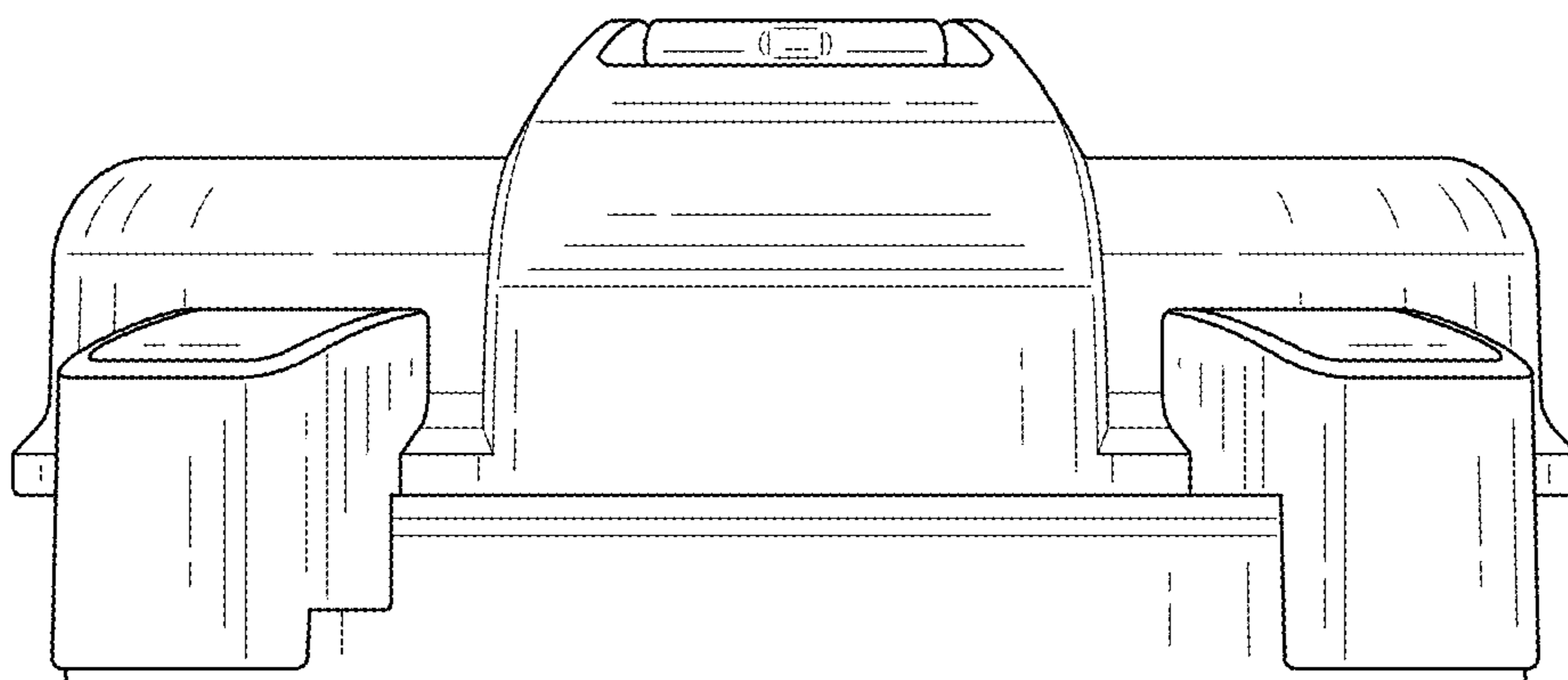
\* cited by examiner



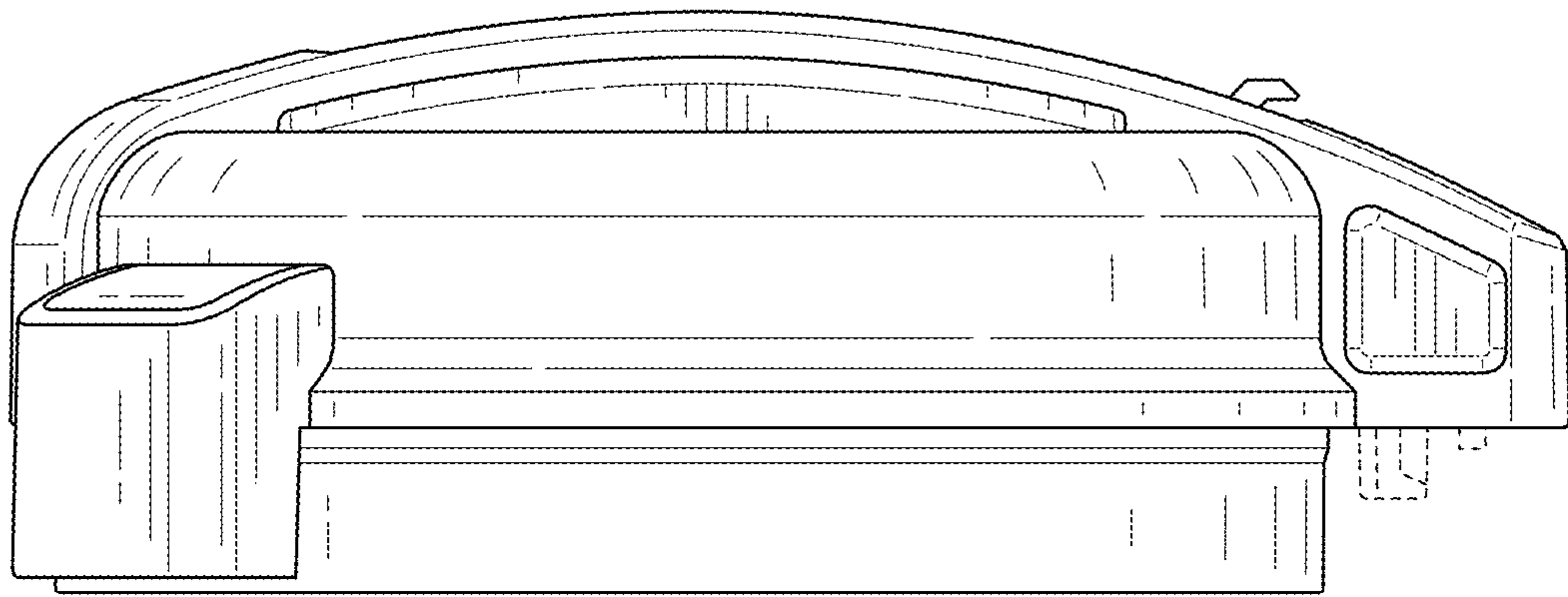
**FIG. 1**



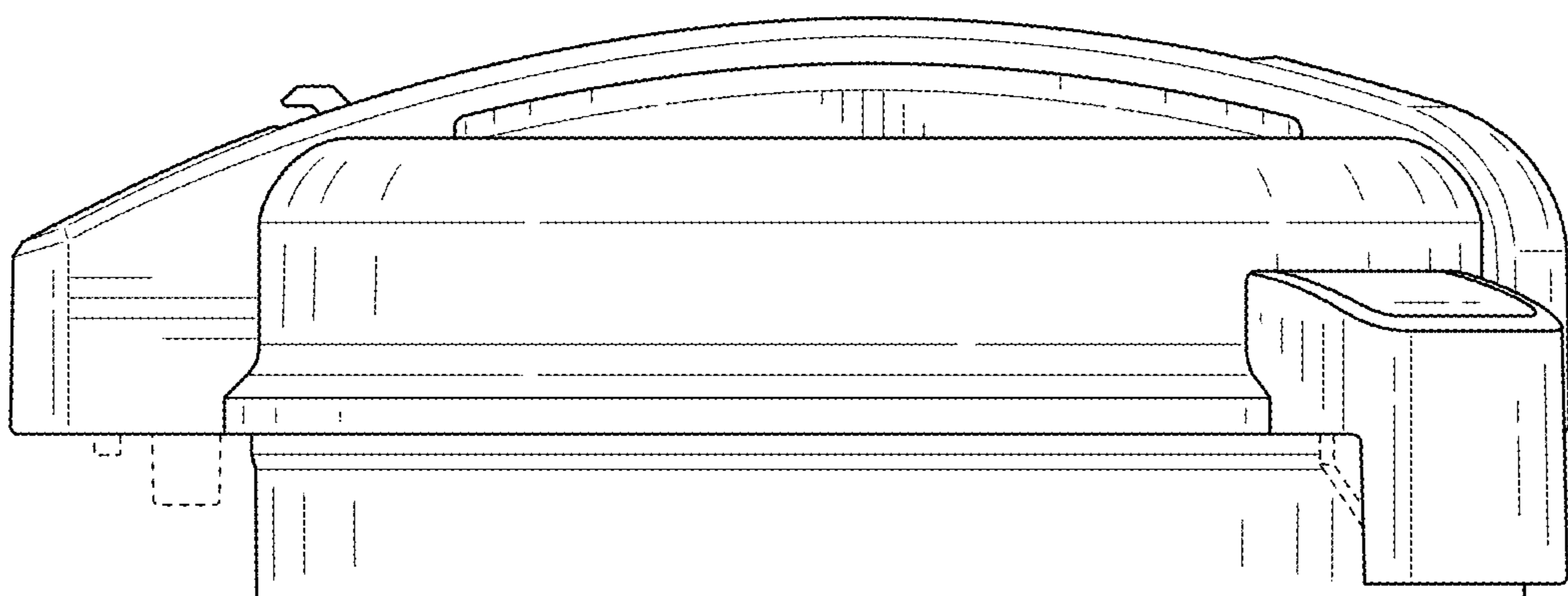
**FIG. 2**



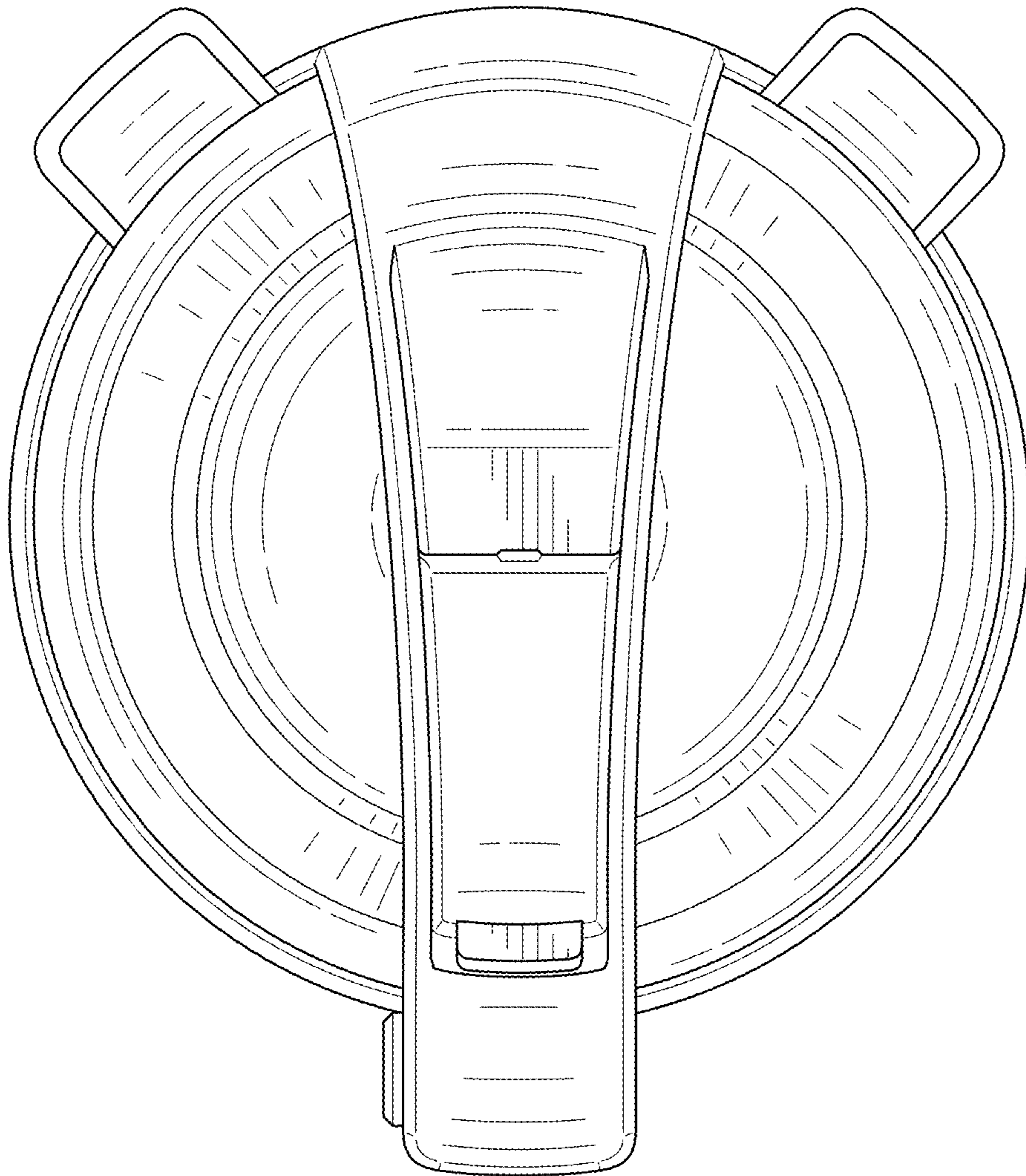
**FIG. 3**



**FIG. 4**

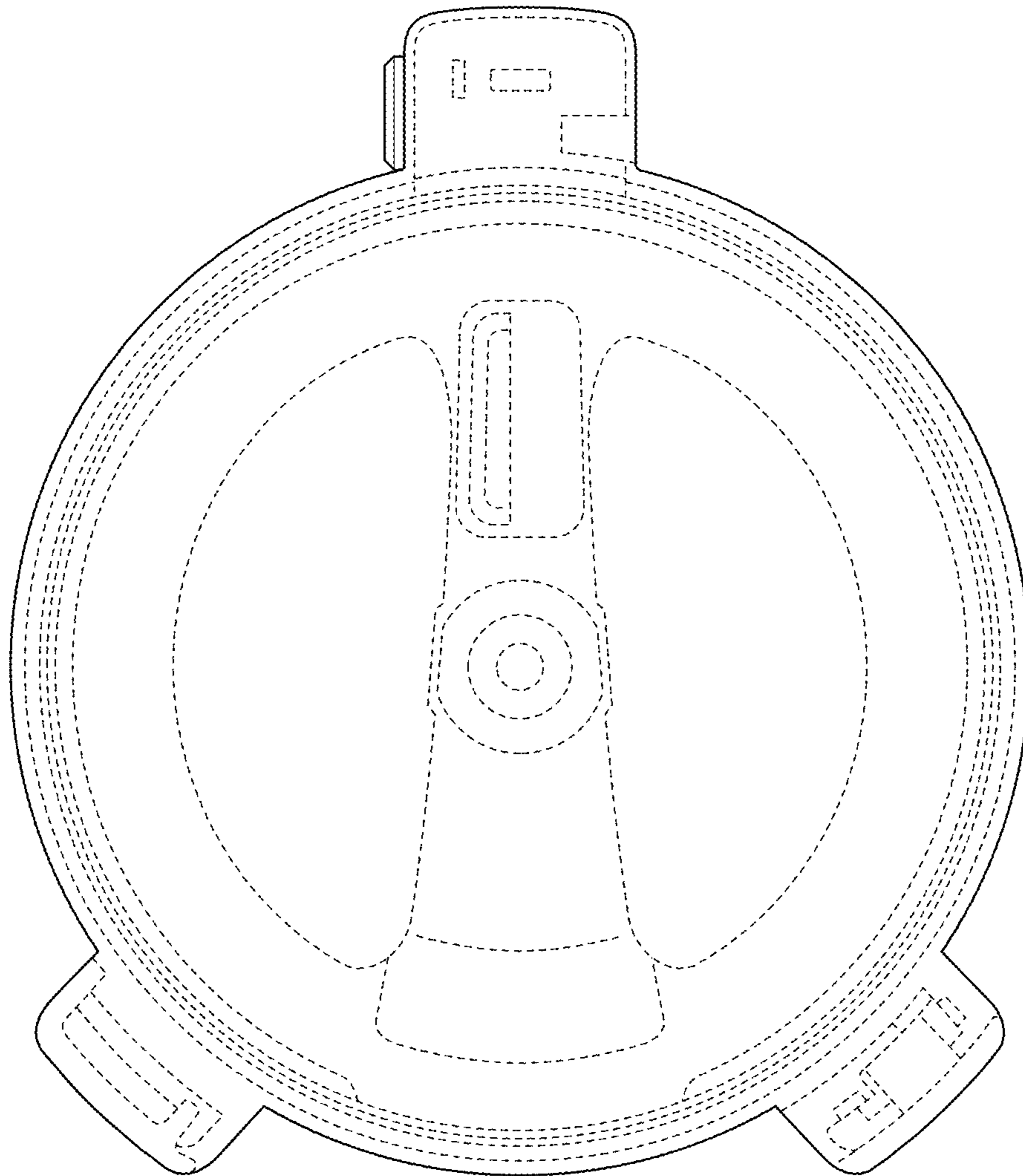


**FIG. 5**



**FIG. 6**





**FIG. 7**