



US00D876884S

(12) **United States Design Patent**  
**Hiltenbrand**

(10) **Patent No.:** **US D876,884 S**  
(45) **Date of Patent:** **\*\* Mar. 3, 2020**

(54) **VEGETABLE SLICER**

- (71) Applicant: **Kuhn Rikon AG**, Rikon im Tösstal (CH)
- (72) Inventor: **Valeria Hiltenbrand**, Winterthur (CH)
- (73) Assignee: **KUHN RIKON AG**, Rikon im Tosstal (CH)
- (\*\*) Term: **15 Years**
- (21) Appl. No.: **29/659,222**
- (22) Filed: **Aug. 7, 2018**
- (30) **Foreign Application Priority Data**

Feb. 8, 2018 (WO) ..... 6308901

- (51) **LOC (12) Cl.** ..... **31-00**
- (52) **U.S. Cl.**  
USPC ..... **D7/381**
- (58) **Field of Classification Search**  
USPC ..... D7/376-386, 412, 693, 695

(Continued)

(56) **References Cited**

**U.S. PATENT DOCUMENTS**

- 1,795,231 A \* 3/1931 Perl ..... A47J 17/06  
30/279.6
- 1,803,880 A \* 5/1931 Tatham ..... A47J 17/06  
30/279.6

(Continued)

**FOREIGN PATENT DOCUMENTS**

- CN 30320079 S 6/2015
- DE 8529617 U1 1/1986

(Continued)

**OTHER PUBLICATIONS**

U.S. Office Action on U.S. Appl. No. 29/659,220 dated Nov. 20, 2019.

*Primary Examiner* — Ricky Pham

(74) *Attorney, Agent, or Firm* — Foley & Lardner LLP

(57) **CLAIM**

I claim the ornamental design for a vegetable slicer, as shown and described.

**DESCRIPTION**

FIG. 1 is a rear perspective view of a vegetable slicer according to one embodiment;  
 FIG. 2 is a front perspective view of the vegetable slicer of FIG. 1;  
 FIG. 3 is a rear view of the vegetable slicer of FIG. 1;  
 FIG. 4 is a front view of the vegetable slicer of FIG. 1;  
 FIG. 5 is a left side view of the vegetable slicer of FIG. 1;  
 FIG. 6 is a right side view of the vegetable slicer of FIG. 1;  
 FIG. 7 is a top view of the vegetable slicer of FIG. 1;  
 FIG. 8 is a bottom view of the vegetable slicer of FIG. 1;  
 FIG. 9 is a rear perspective view of a vegetable slicer according to another embodiment;  
 FIG. 10 is a front perspective view of the vegetable slicer of FIG. 9;  
 FIG. 11 is a rear view of the vegetable slicer of FIG. 9;  
 FIG. 12 is a front view of the vegetable slicer of FIG. 9;  
 FIG. 13 is a left side view of the vegetable slicer of FIG. 9;  
 FIG. 14 is a right side view of the vegetable slicer of FIG. 9;  
 FIG. 15 is a top view of the vegetable slicer of FIG. 9;  
 FIG. 16 is a bottom view of the vegetable slicer FIG. 9;  
 FIG. 17 is a rear perspective view of a base of the vegetable slicer of FIG. 1 or the vegetable slicer of FIG. 9;  
 FIG. 18 is a front perspective view of the base of FIG. 17;  
 FIG. 19 is a rear view of the base of FIG. 17;  
 FIG. 20 is a front view of the base of FIG. 17;  
 FIG. 21 is a left side view of the base of FIG. 17;  
 FIG. 22 is a right side view of the base of FIG. 17;  
 FIG. 23 is a top view of the base of FIG. 17;  
 FIG. 24 is a bottom view of the base of FIG. 17;  
 FIG. 25 is a perspective view of an insert of the vegetable slicer of FIG. 1;  
 FIG. 26 is a rear view of the insert of FIG. 25;  
 FIG. 27 is a front view of the insert of FIG. 25;  
 FIG. 28 is a left side view of the insert of FIG. 25;  
 FIG. 29 is a right side view of the insert of FIG. 25;  
 FIG. 30 is a top view of the insert of FIG. 25;  
 FIG. 31 is a bottom view of the insert of FIG. 25;

(Continued)

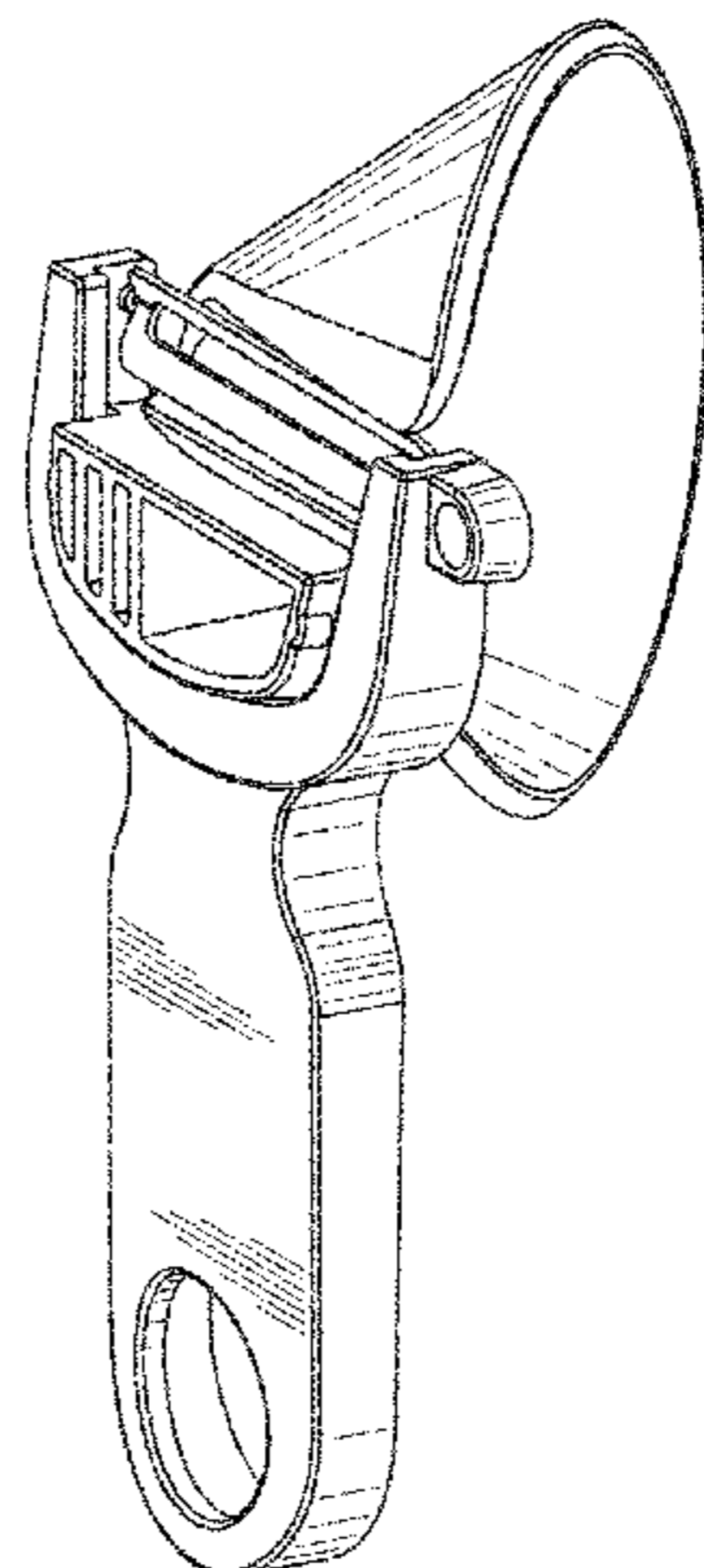


FIG. 32 is a perspective view of an insert of the vegetable slicer of FIG. 9;  
 FIG. 33 is a rear view of the insert of FIG. 32;  
 FIG. 34 is a front view of the insert of FIG. 32;  
 FIG. 35 is a left side view of the insert of FIG. 32;  
 FIG. 36 is a right side view of the insert of FIG. 32;  
 FIG. 37 is a top view of the insert of FIG. 32; and,  
 FIG. 38 is a bottom view of the insert of FIG. 32.

**1 Claim, 38 Drawing Sheets**

(58) **Field of Classification Search**

CPC . A01F 11/06; A23N 15/12; A47J 17/06; A47J 43/255; B26D 1/03; B26D 1/14; B26D 1/143; B26D 1/15; B26D 1/153; B26D 1/157; B26D 1/18; B26D 1/28; B26D 5/00; B26D 5/06; B26D 5/08; B26D 5/10; B26D 5/12; B26D 5/22; B26D 5/26; B26D 5/38; B26D 5/42; B26D 7/00; B26D 7/01; B26D 7/08; B26D 7/12; B26D 7/18; B26D 7/1818; B26D 7/22; B26D 7/225; B26D 7/24; B26D 7/26; B26D 7/2614; B26D 7/2621; B26D 7/2628; B26D 7/2635; B26D 7/30; B26D 7/32; B26D 7/325; B27G 13/00; B27G 13/005; B27G 13/10

See application file for complete search history.

(56) **References Cited**

U.S. PATENT DOCUMENTS

2,087,140 A \* 7/1937 Coughlan ..... A23N 15/12  
 30/279.6

2,173,751 A \* 9/1939 Burkhart ..... A01F 11/06  
 30/279.6  
 2,323,863 A \* 7/1943 Feemster ..... A47J 17/06  
 30/279.2  
 4,227,656 A \* 10/1980 Engebretsen ..... A47J 43/255  
 241/273.1  
 4,310,971 A \* 1/1982 Rowell ..... B26D 1/03  
 30/114  
 5,803,378 A \* 9/1998 Wolters ..... A47J 43/255  
 241/100  
 D400,767 S 11/1998 de Saint-Genois  
 D461,692 S 8/2002 Law  
 D609,062 S 2/2010 Kestenbaum  
 D674,254 S \* 1/2013 Spiegel ..... A23N 15/12  
 D7/695  
 D675,890 S \* 2/2013 Reay ..... A47J 17/06  
 D7/695  
 D680,392 S \* 4/2013 Dichraff ..... D7/381  
 D680,822 S \* 4/2013 Dichraff ..... A47J 17/06  
 D7/381  
 D773,905 S \* 12/2016 Dichraff ..... D7/693  
 D793,179 S 8/2017 Exley  
 D812,997 S 3/2018 Cabrita  
 D826,654 S 8/2018 Chang et al.  
 D859,094 S 9/2019 Umholtz et al.  
 D859,095 S 9/2019 Umholtz et al.  
 D859,096 S 9/2019 Umholtz et al.  
 2017/0027363 A1 2/2017 Greiner

FOREIGN PATENT DOCUMENTS

DE 9012103 U1 12/1990  
 EP 2218561 A1 8/2010  
 EP 2399492 A1 5/2011  
 JP 1343119 S 11/2008

\* cited by examiner

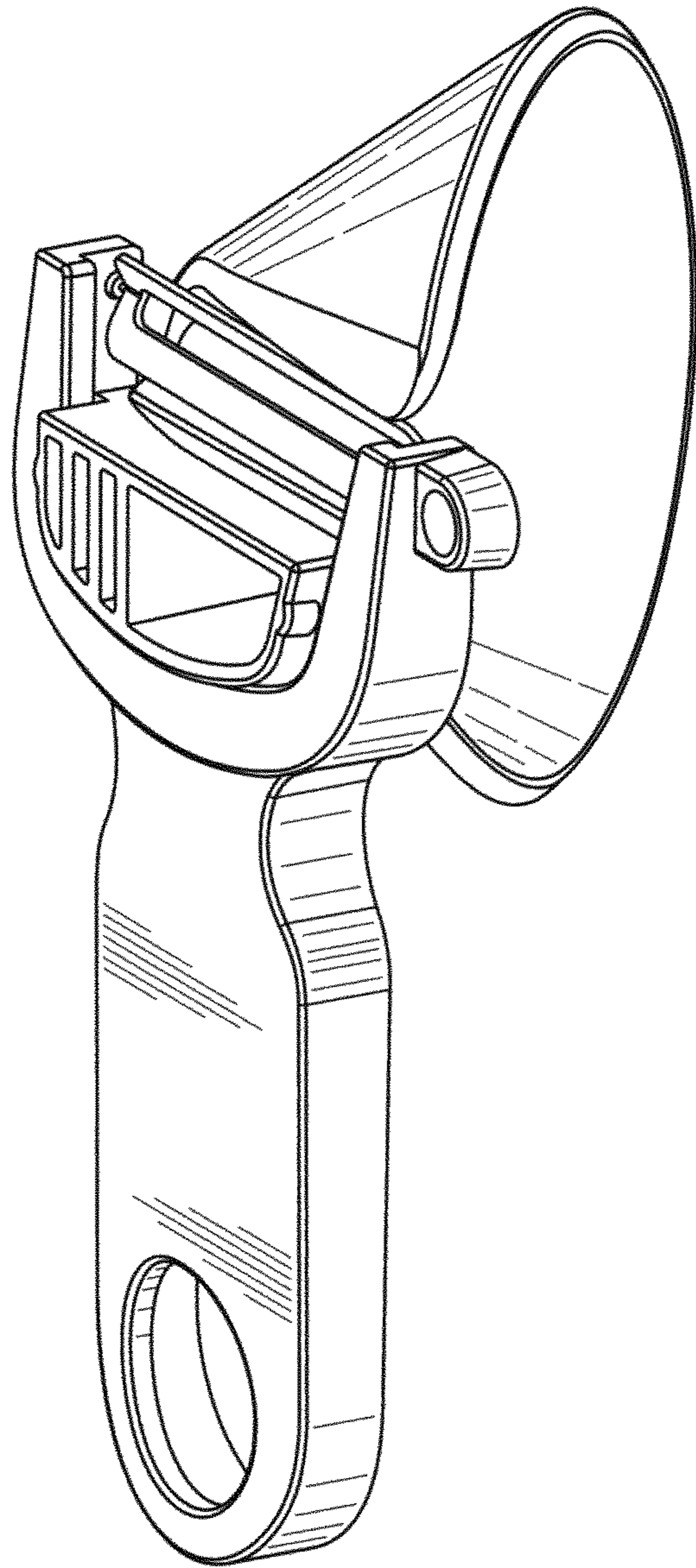


Figure 1

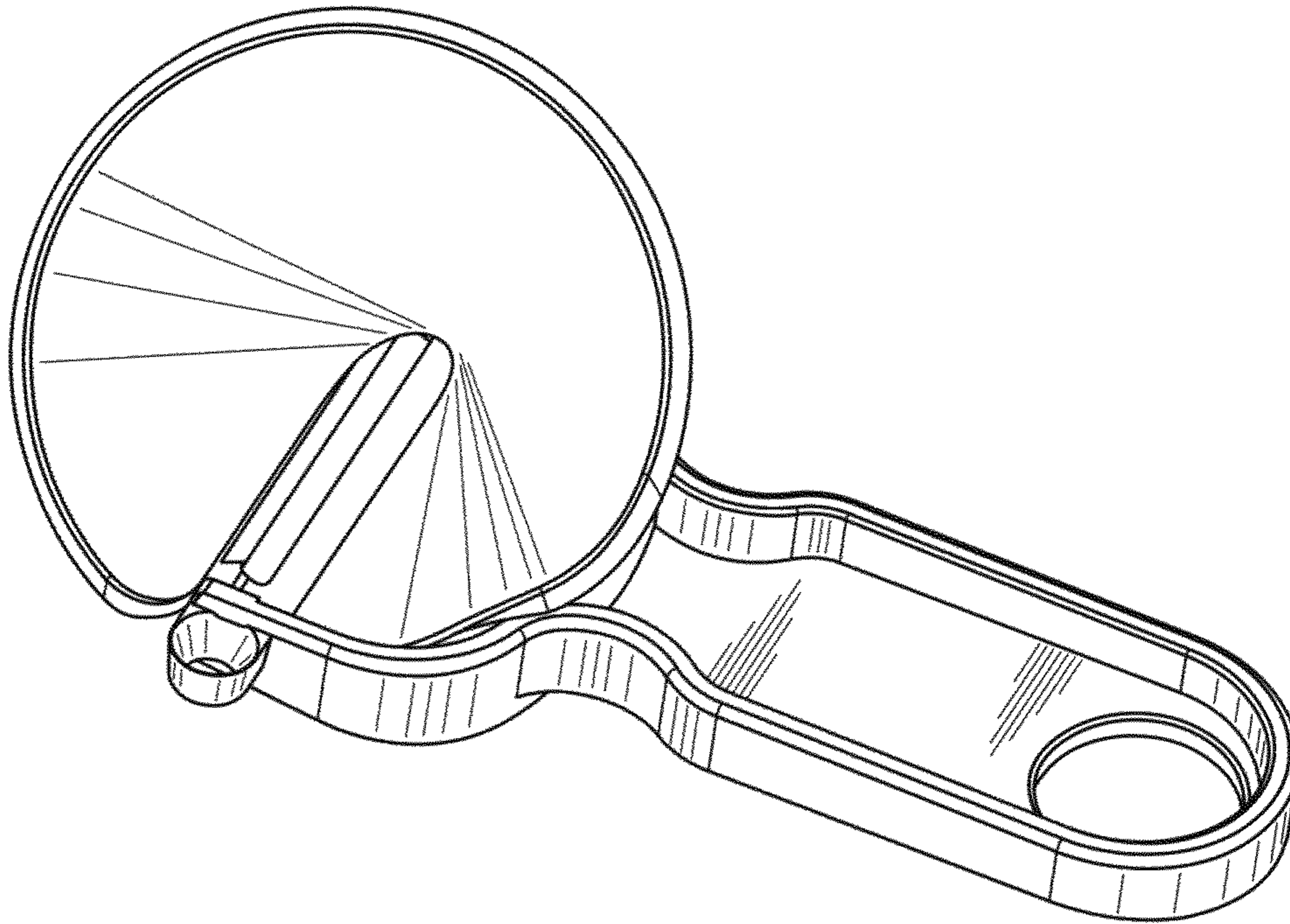


Figure 2

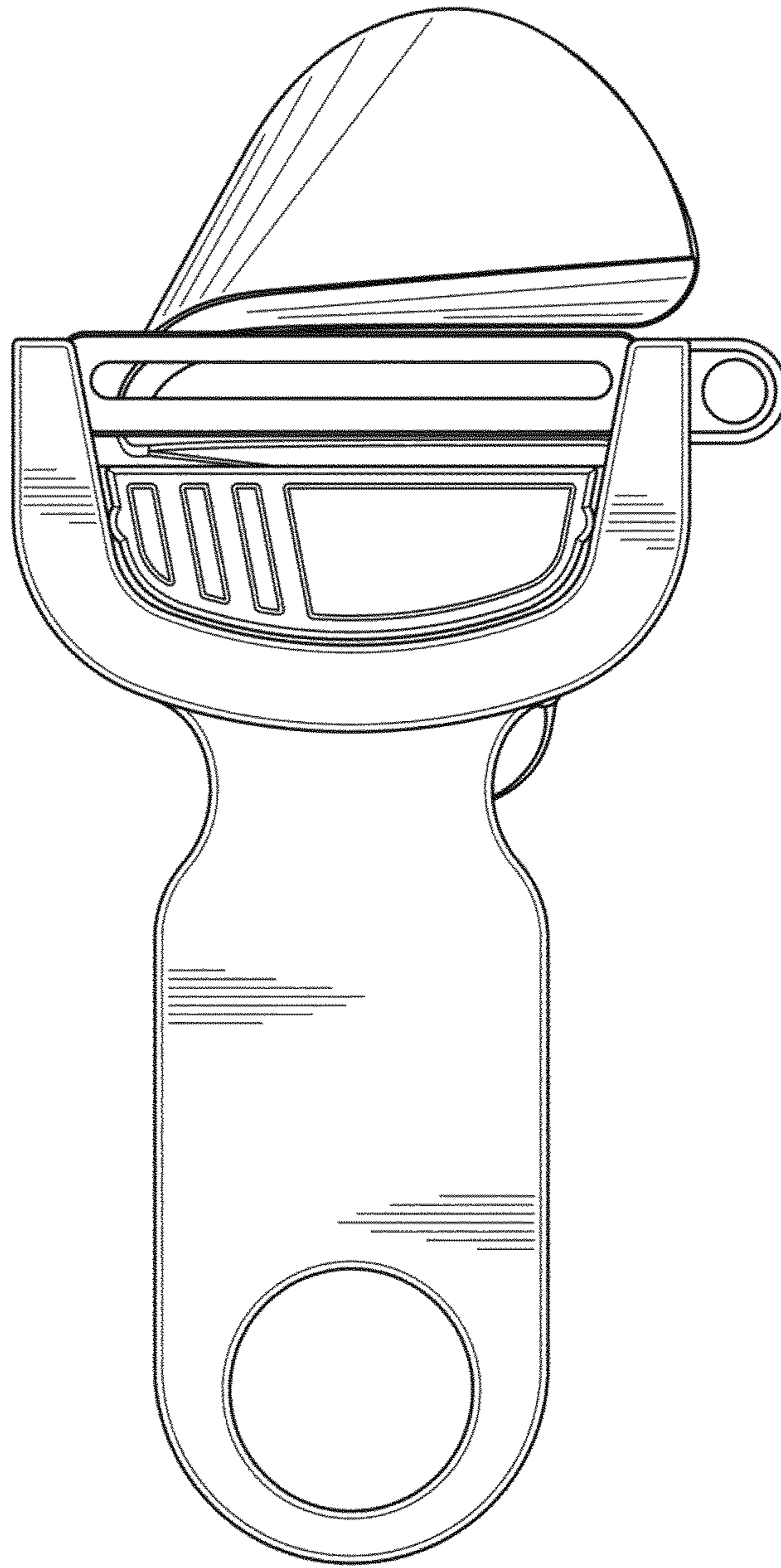


Figure 3

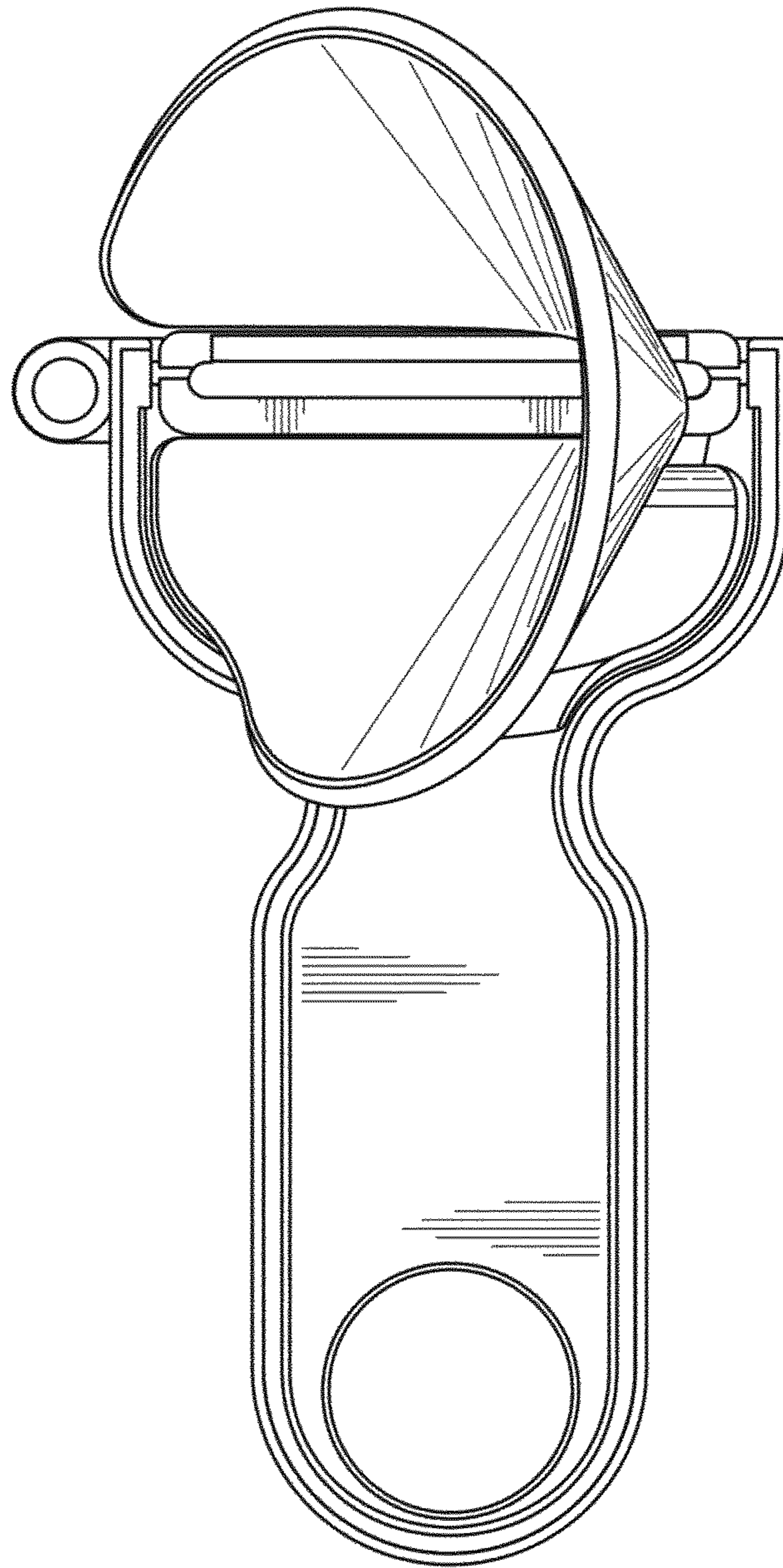


Figure 4

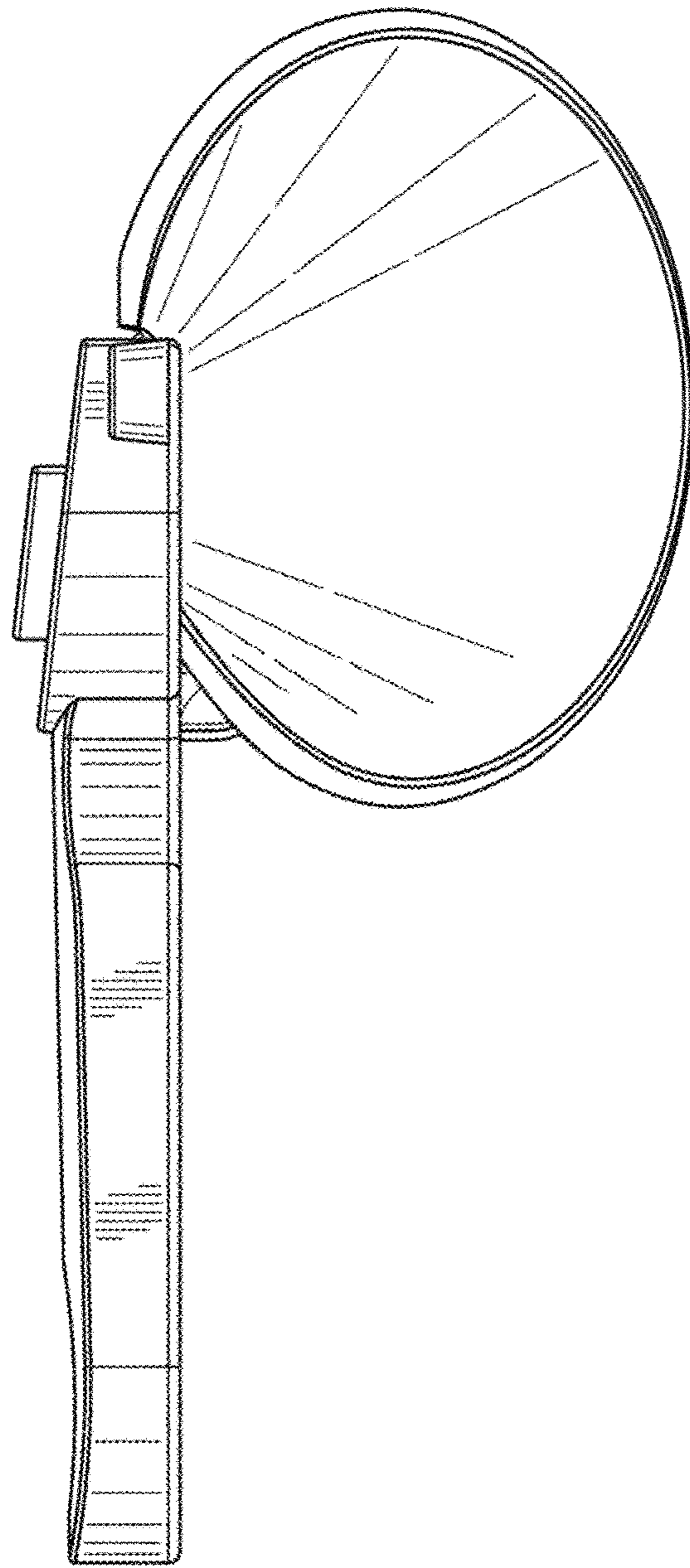


Figure 5

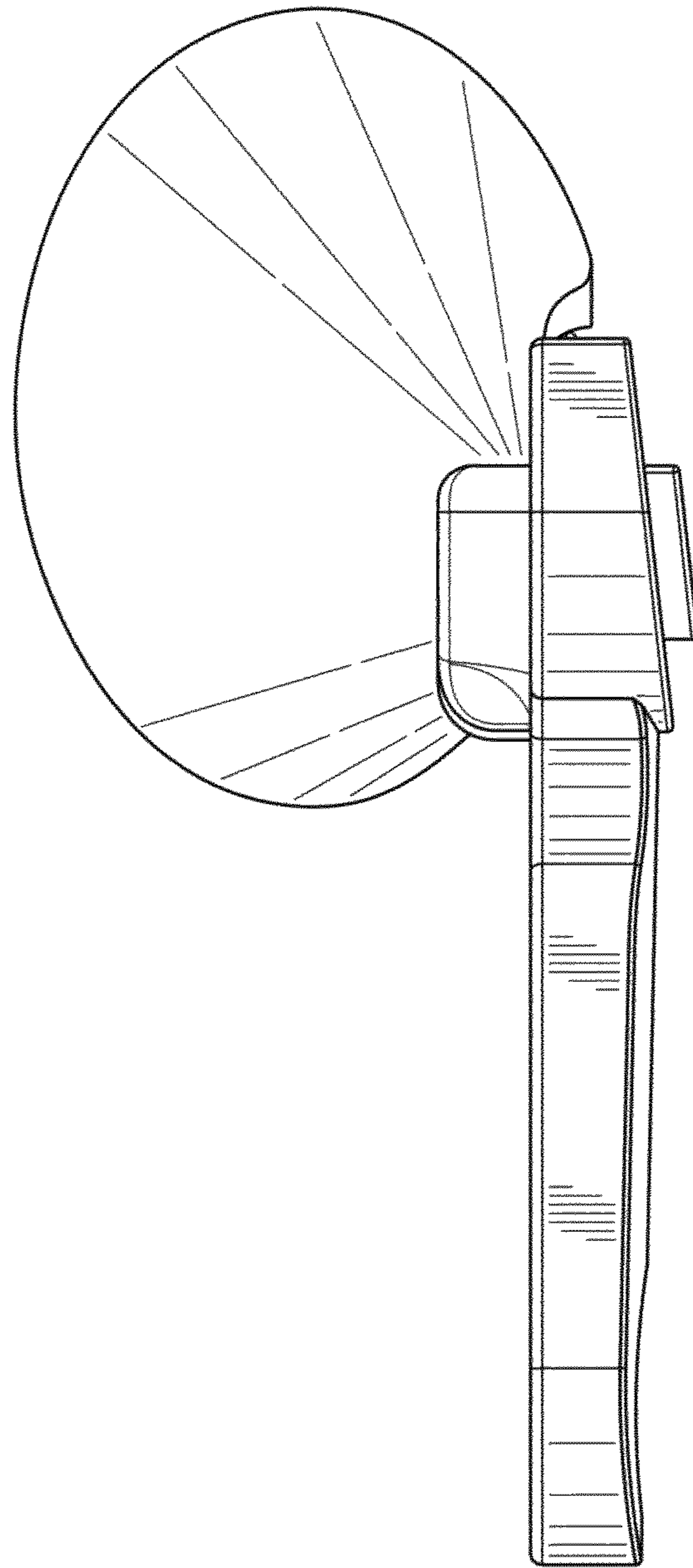


Figure 6



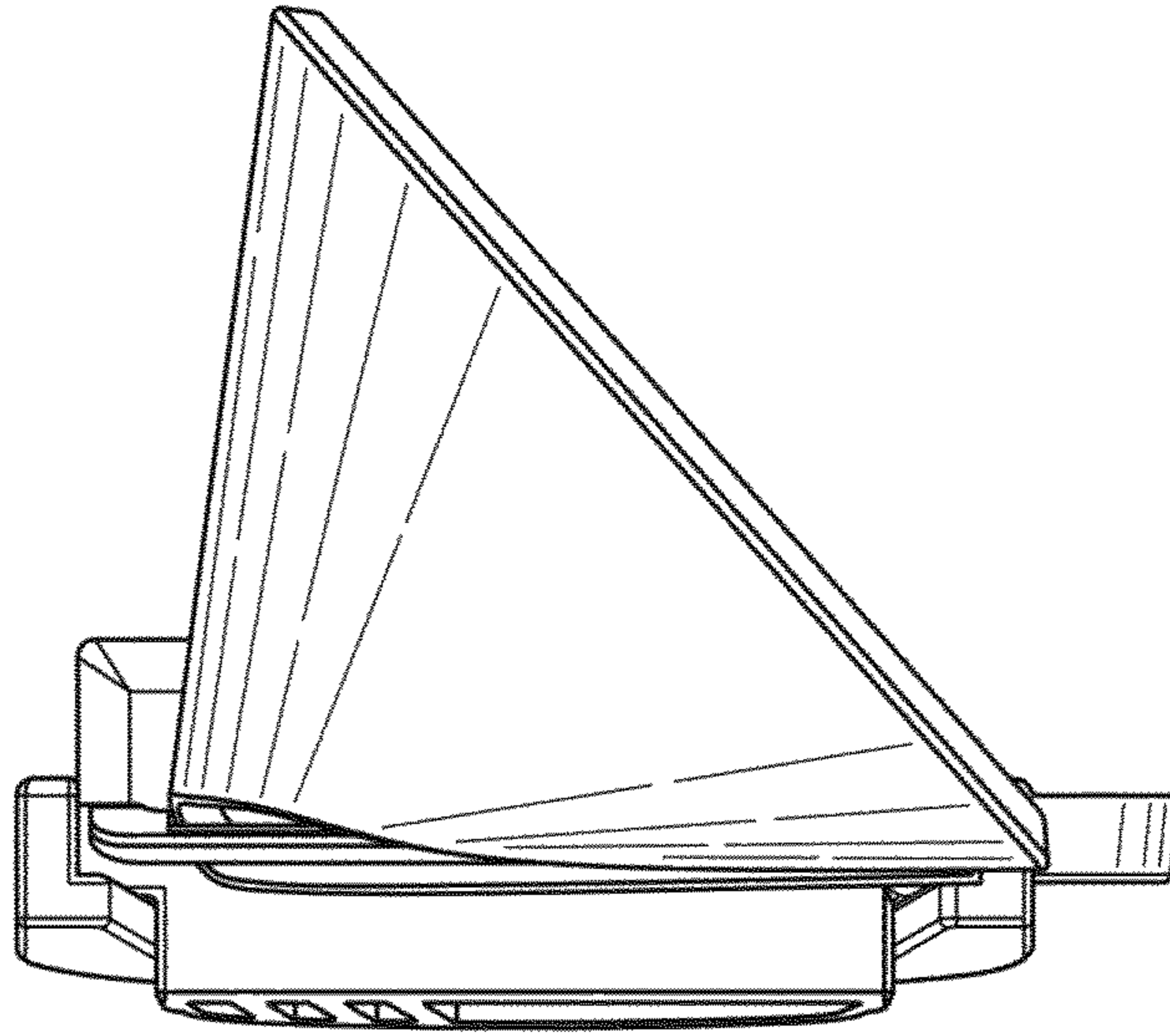


Figure 7

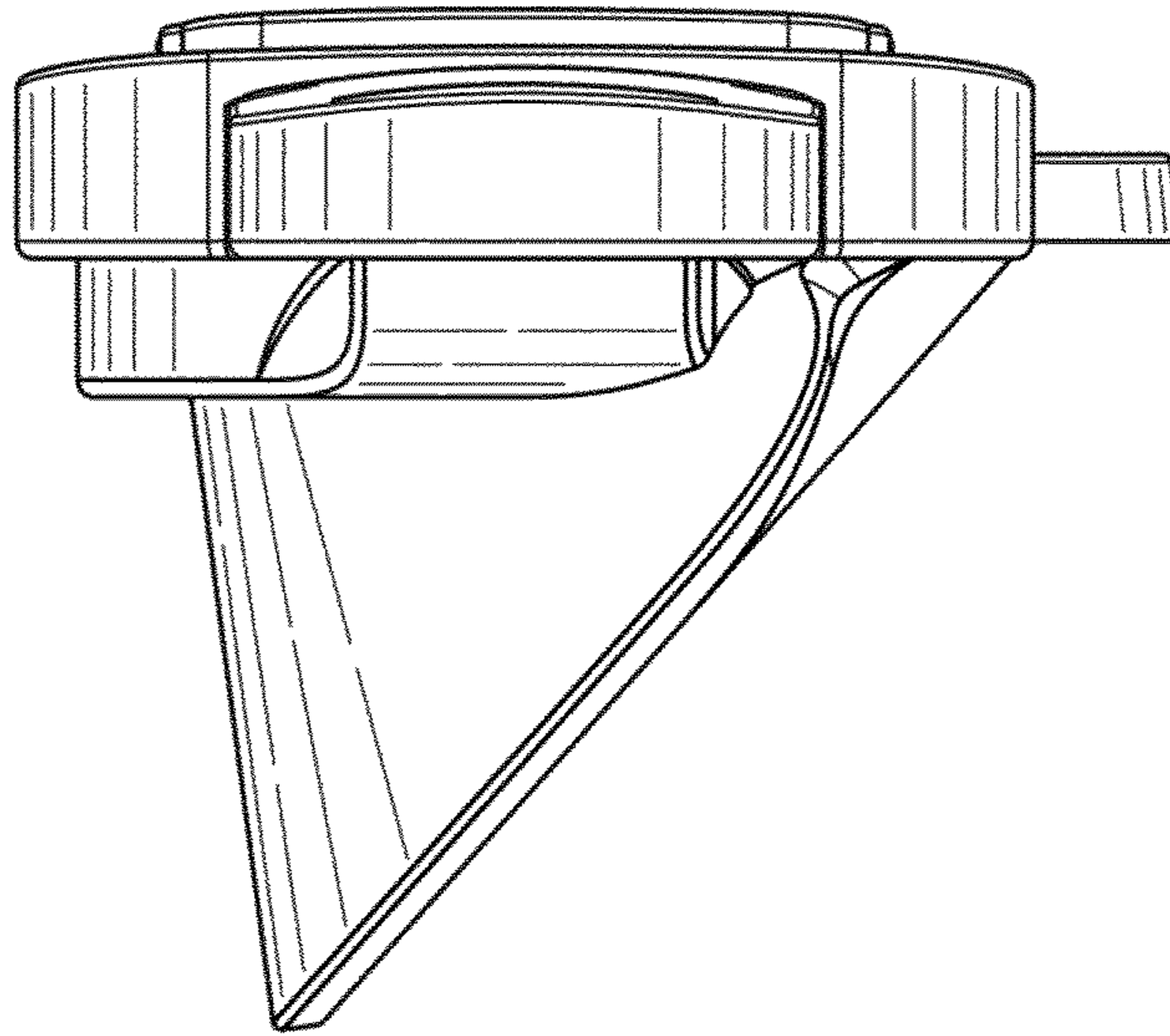


Figure 8

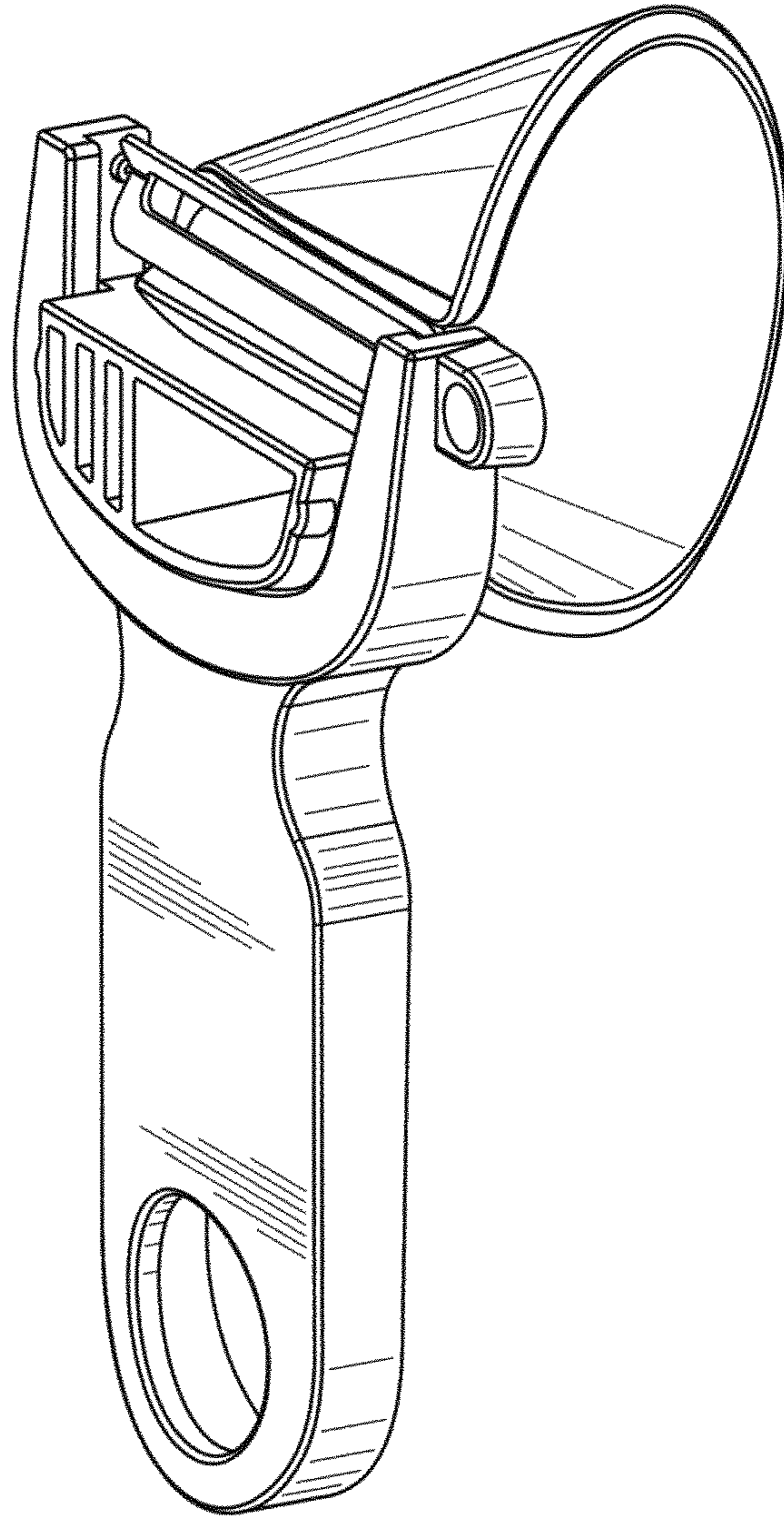


Figure 9

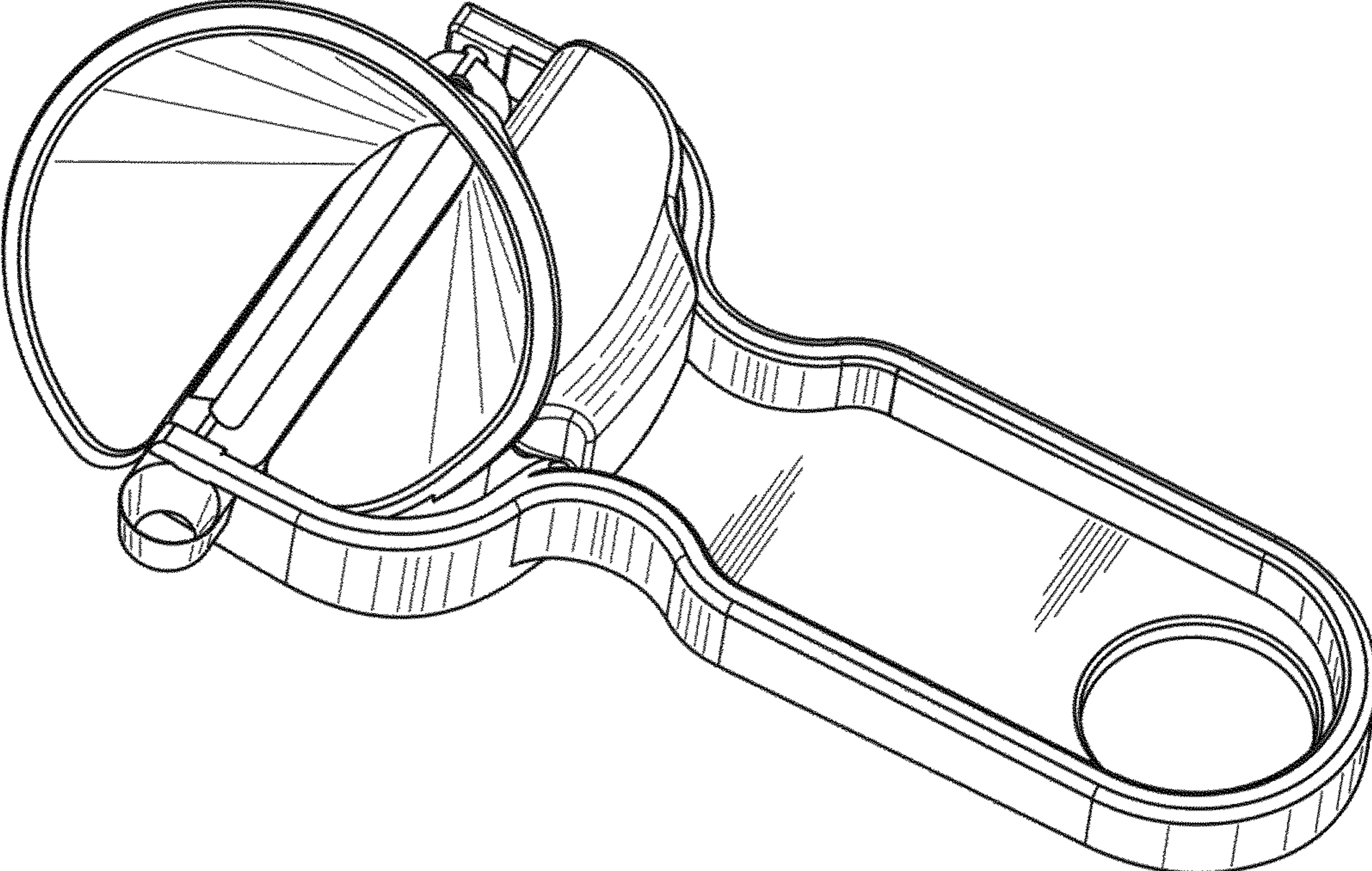


Figure 10

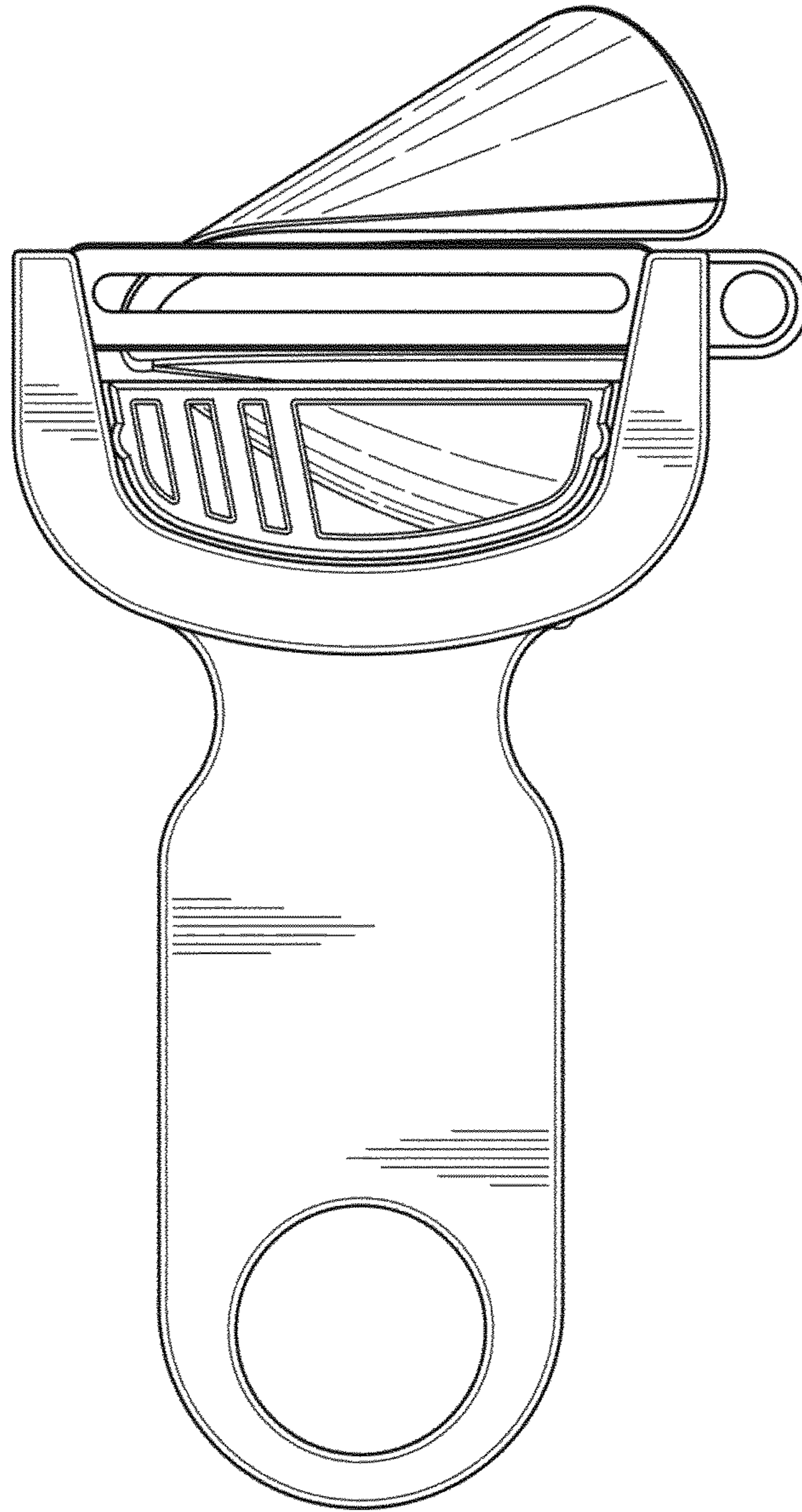


Figure 11

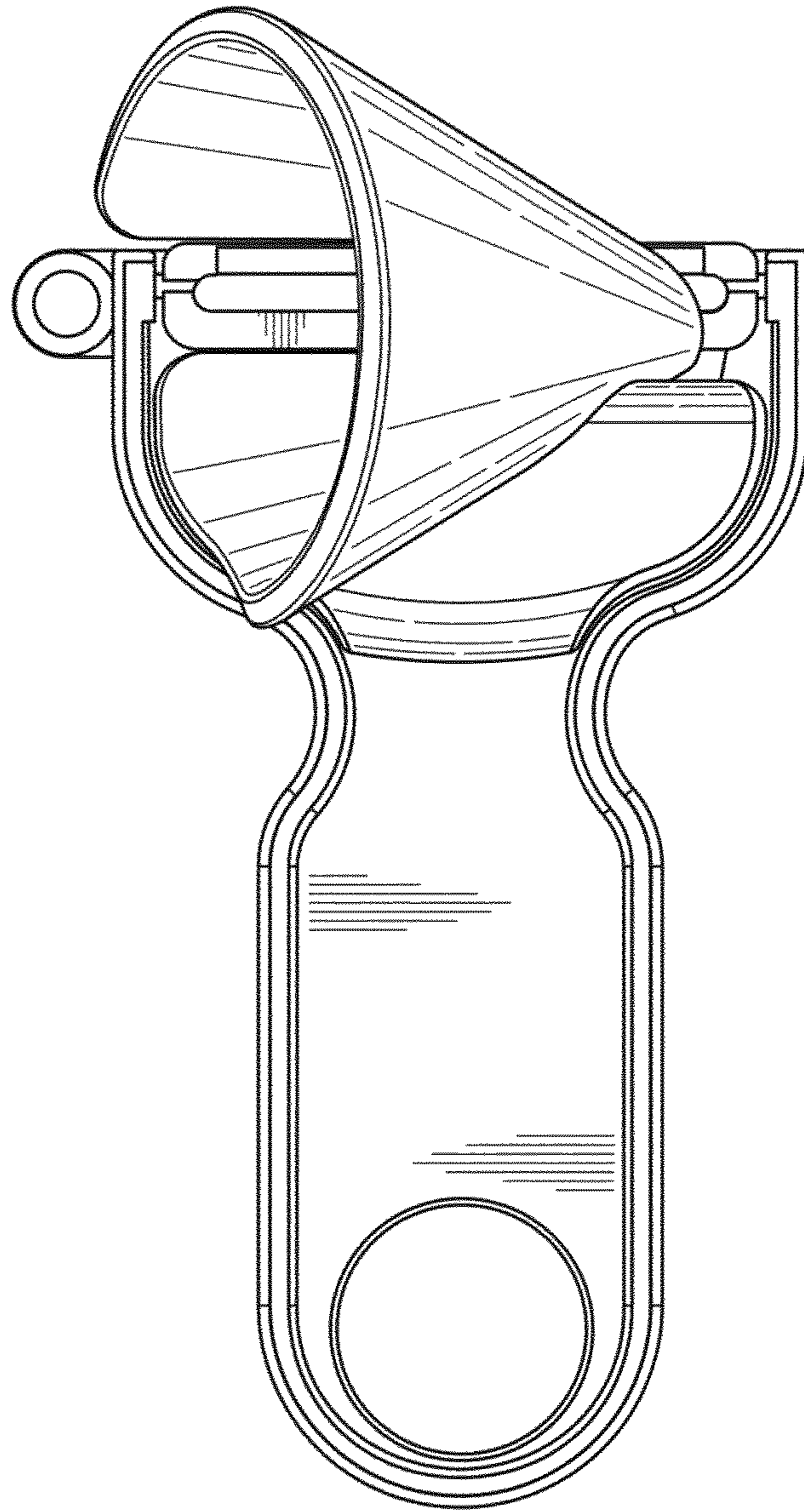


Figure 12

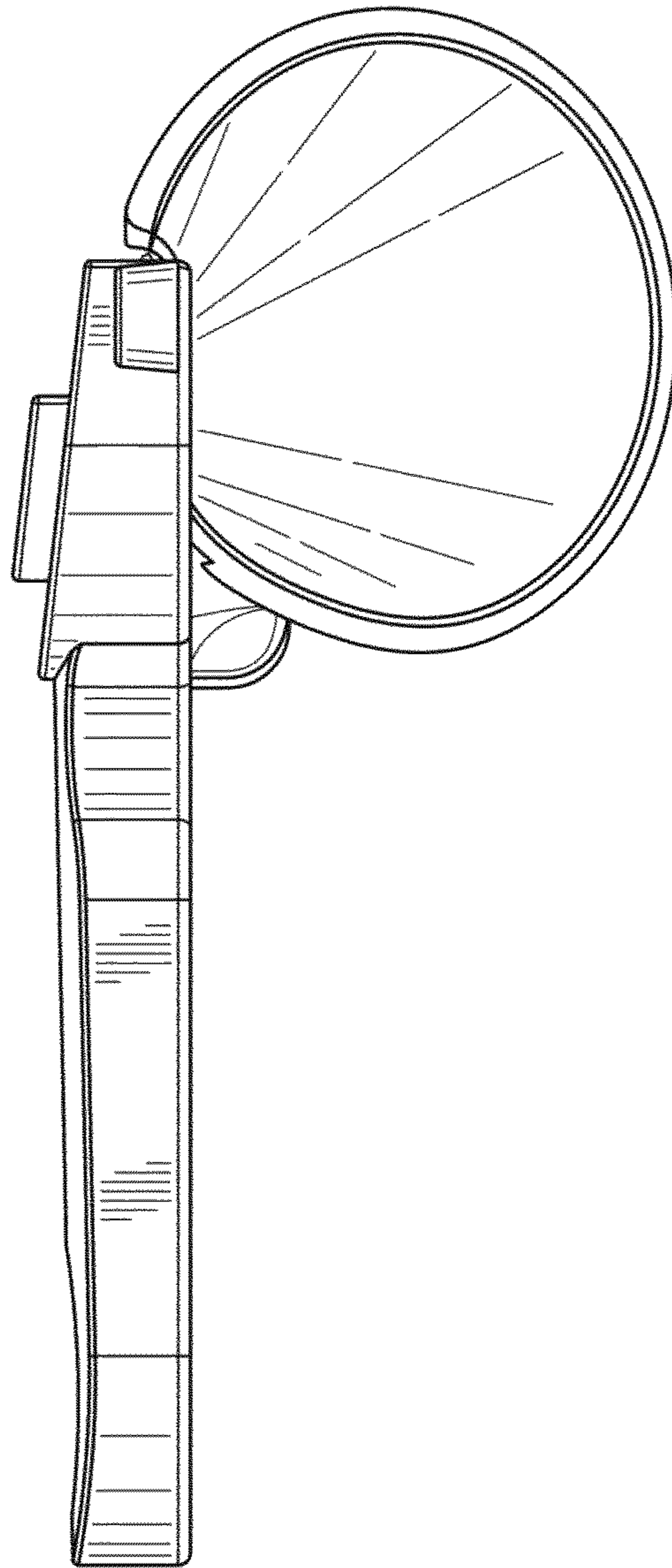


Figure 13

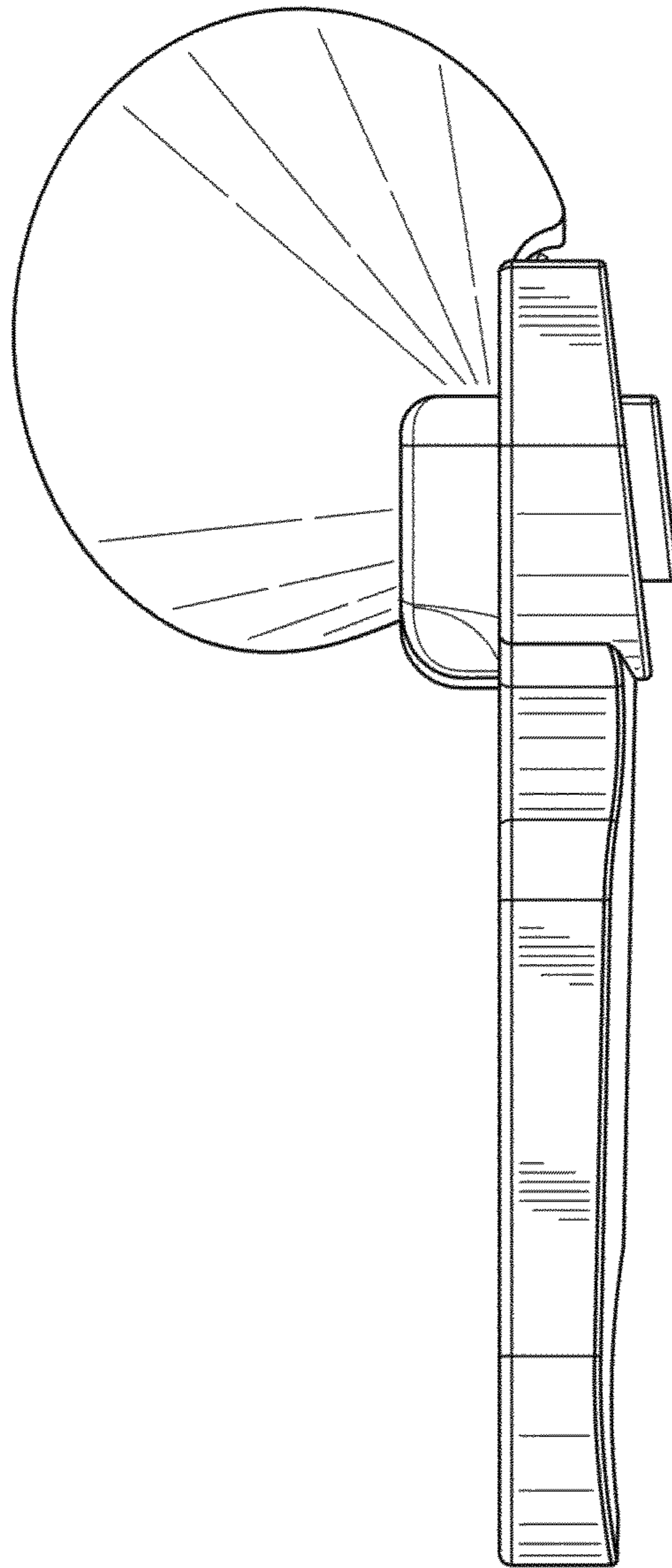


Figure 14



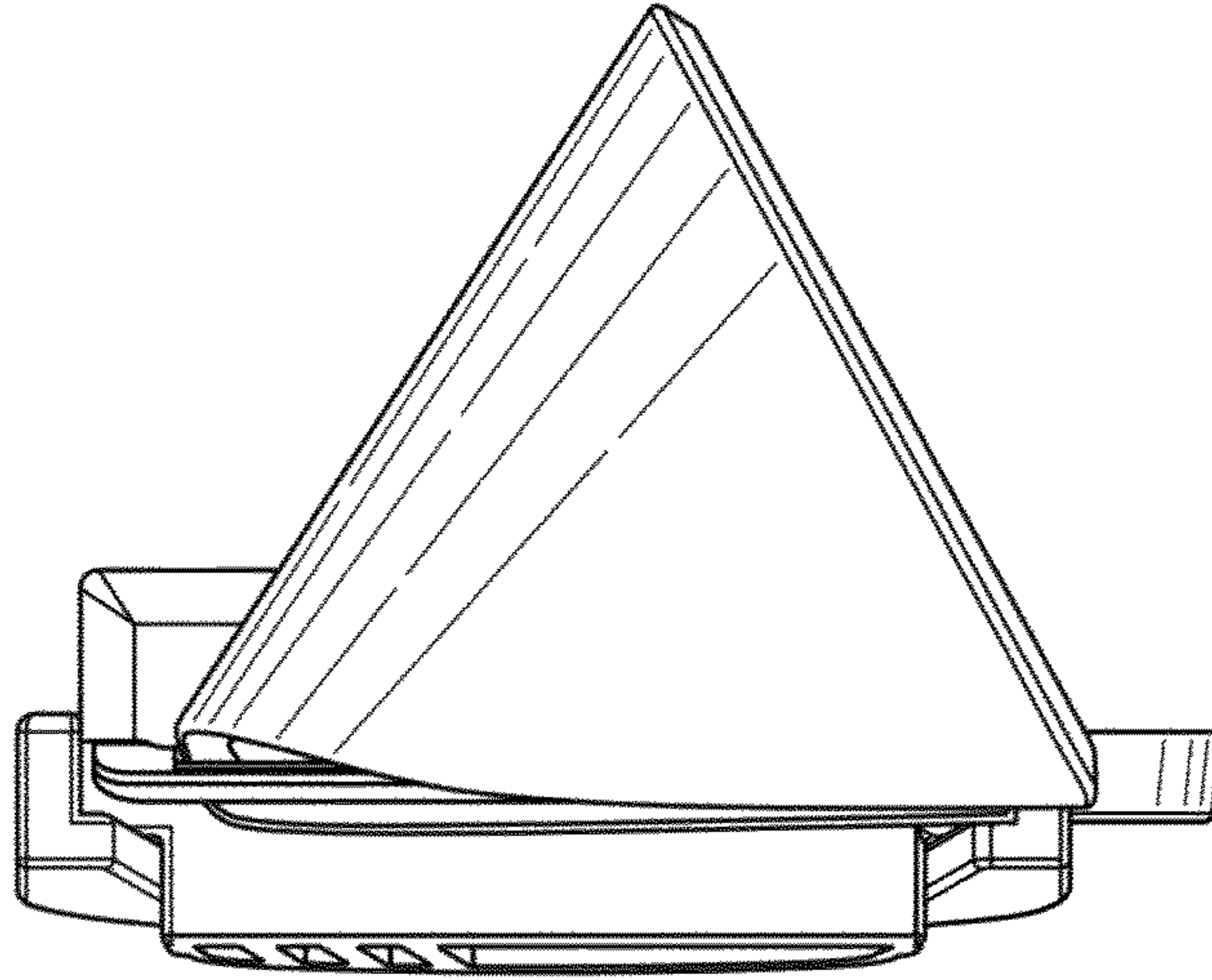


Figure 15

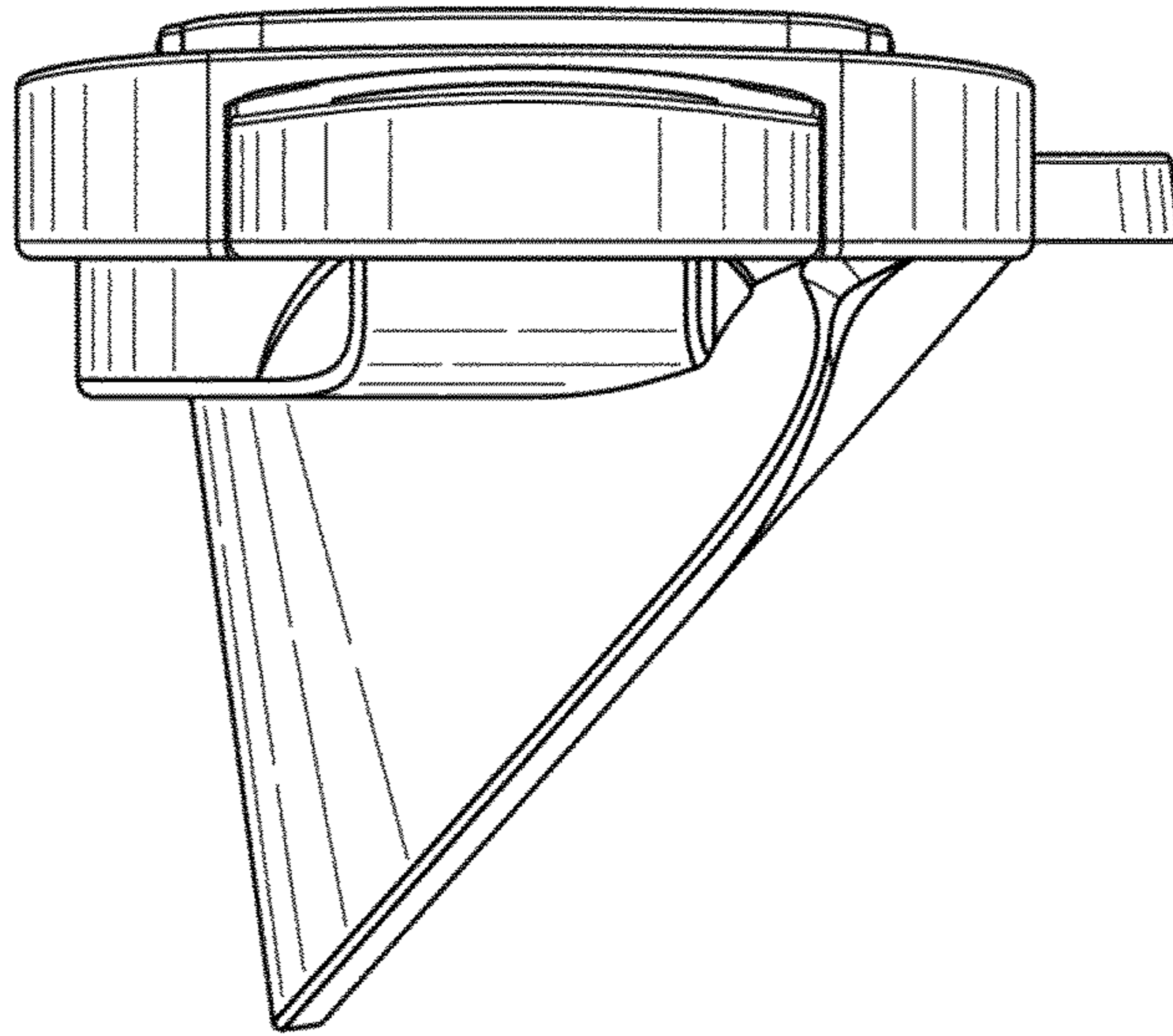


Figure 16

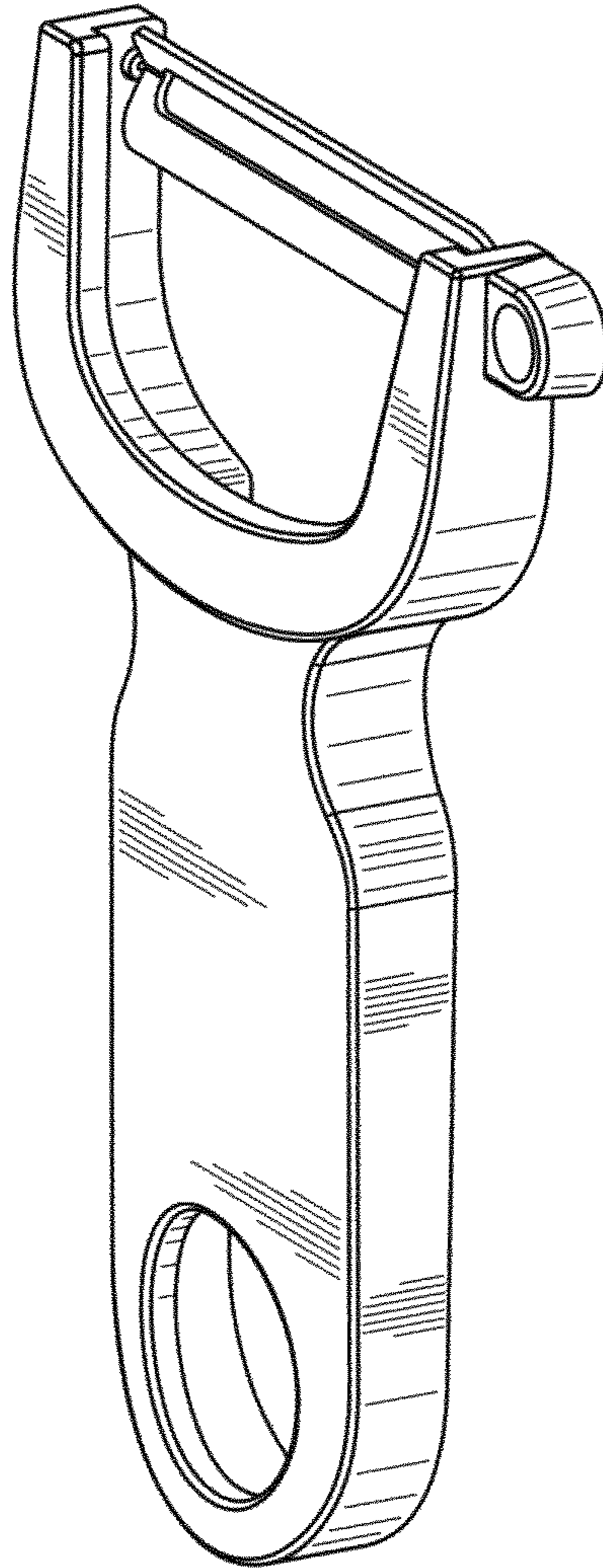


Figure 17

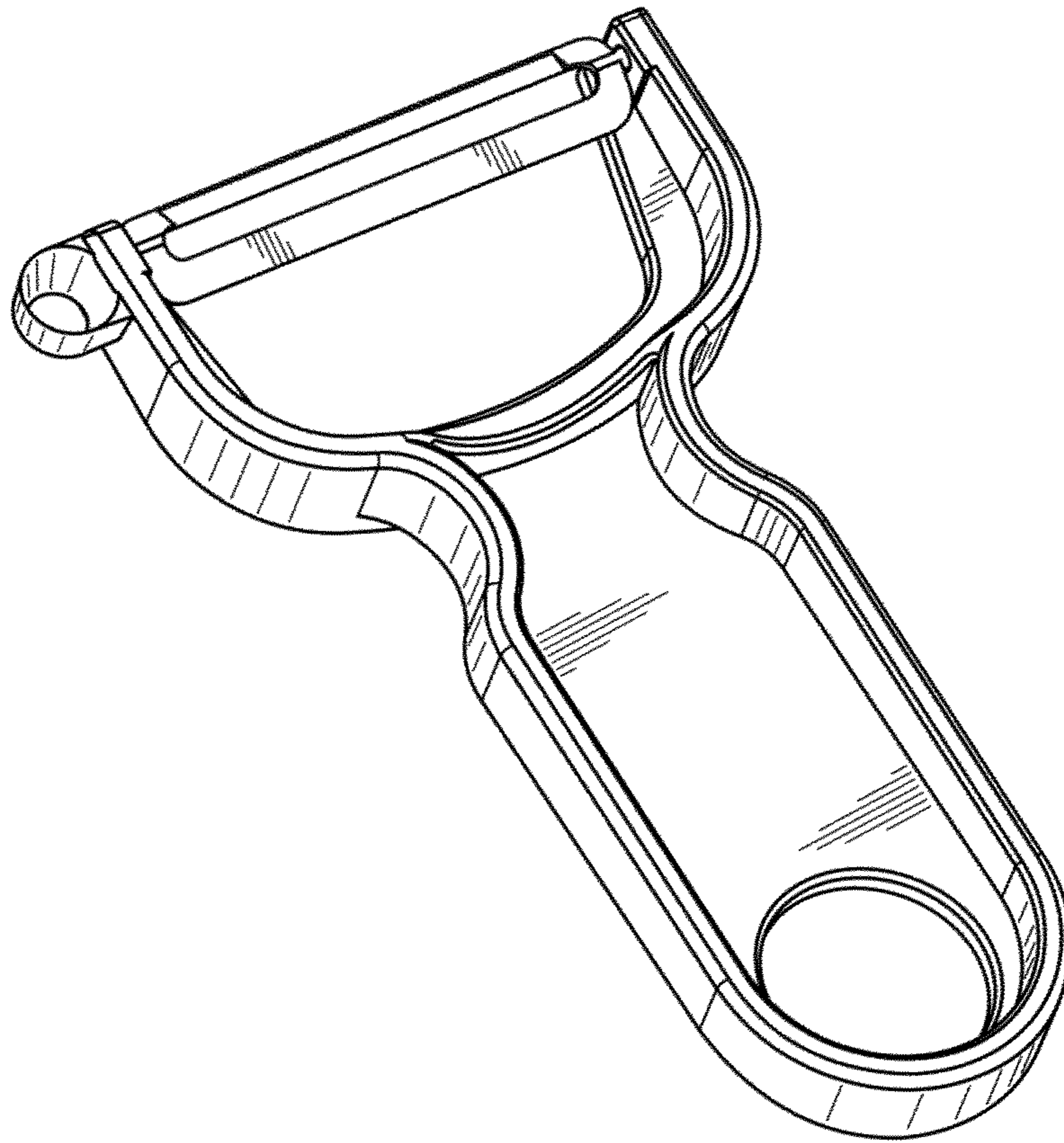


Figure 18

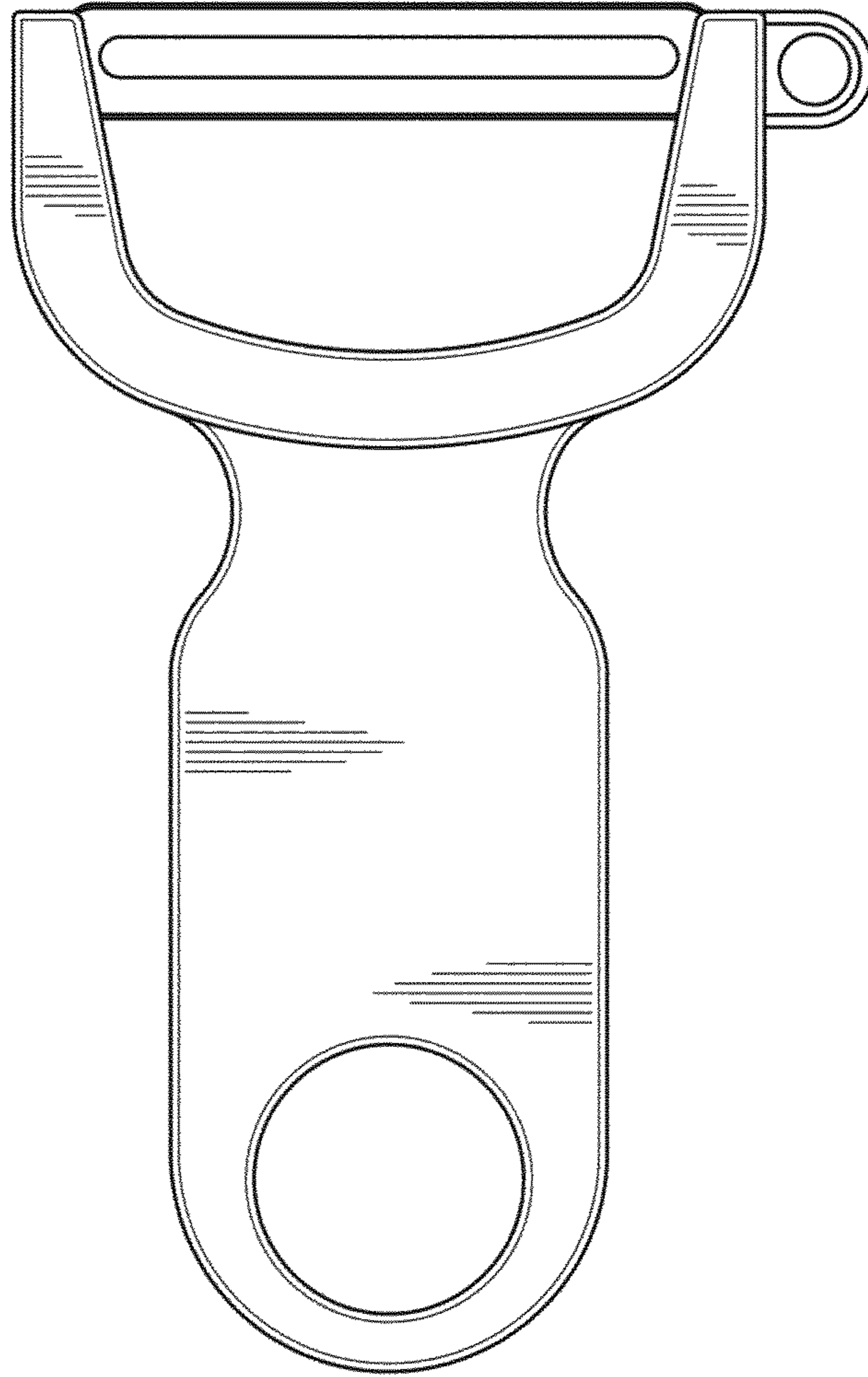


Figure 19

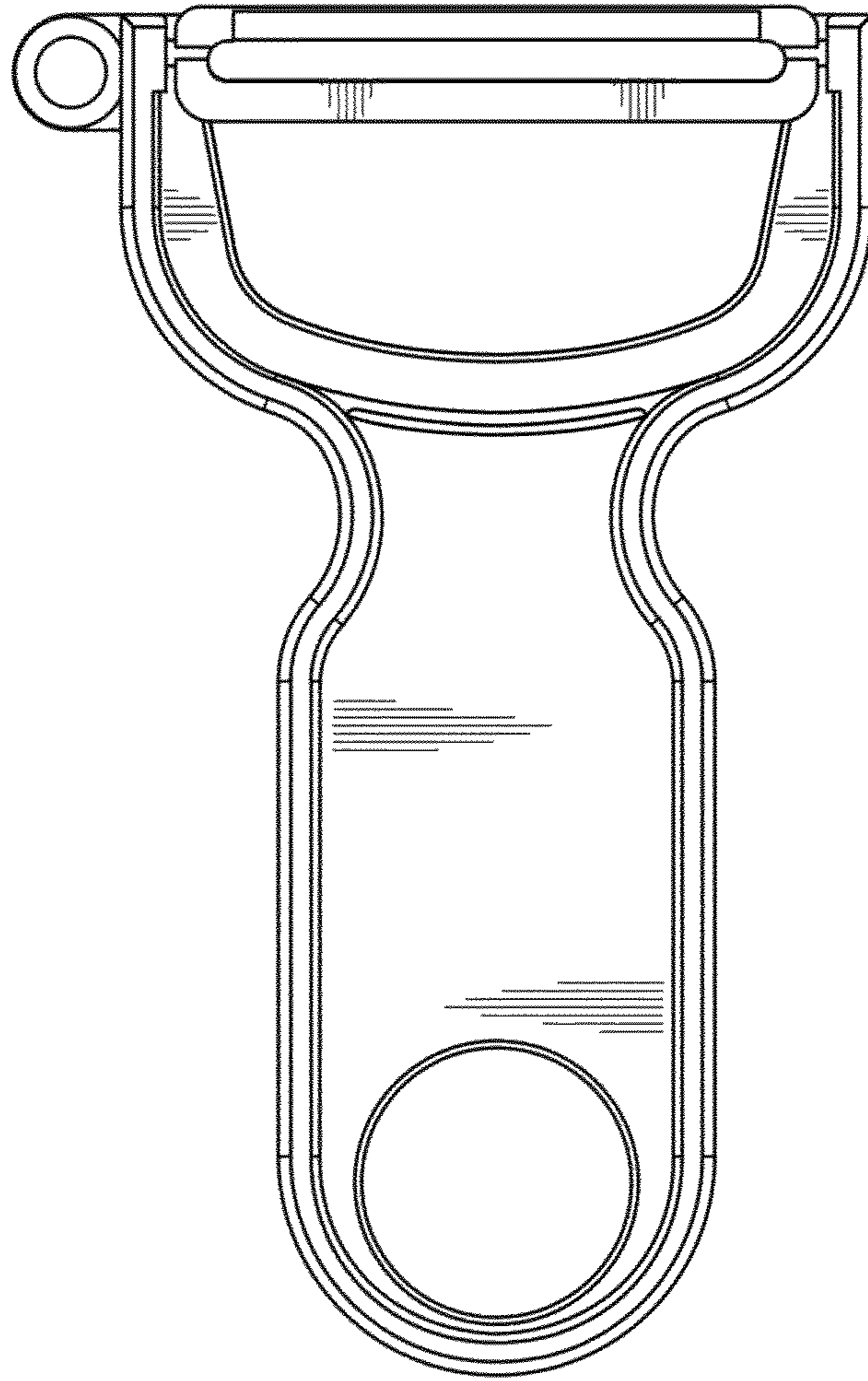


Figure 20

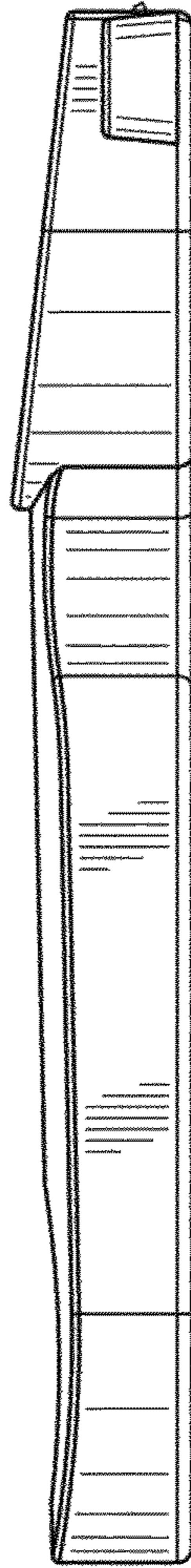


Figure 21

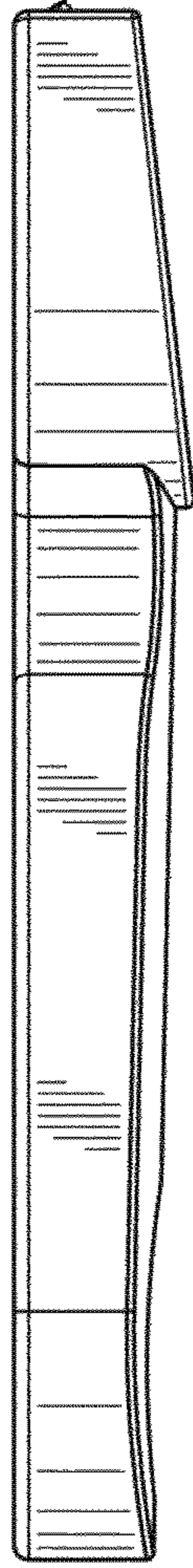


Figure 22



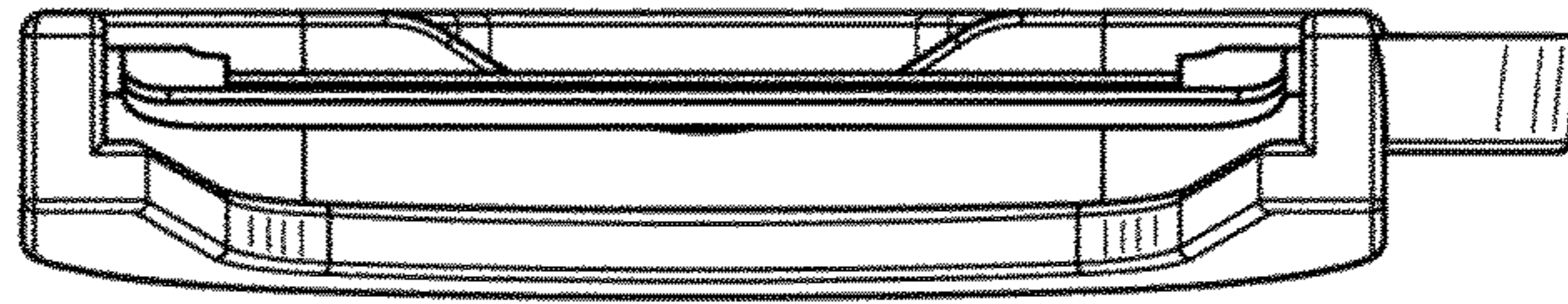


Figure 23

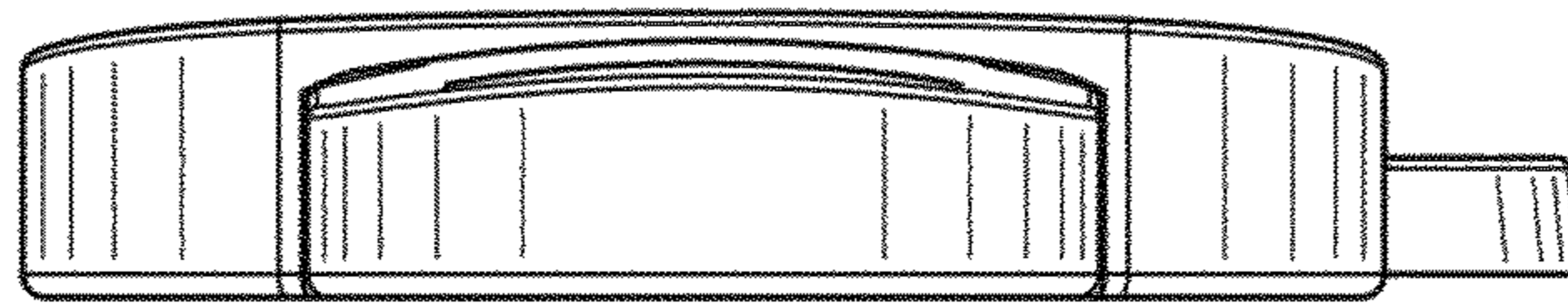


Figure 24

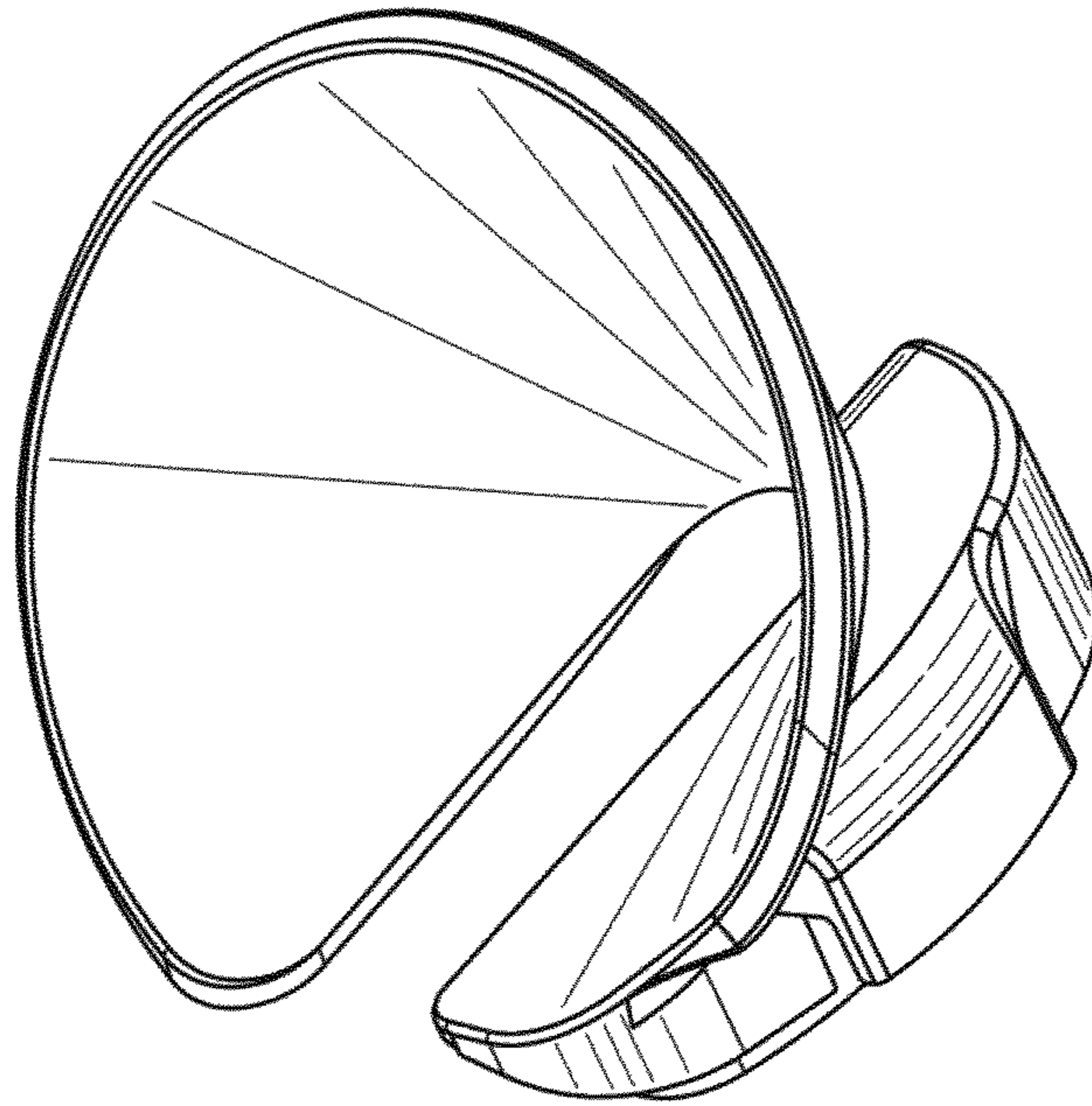


Figure 25

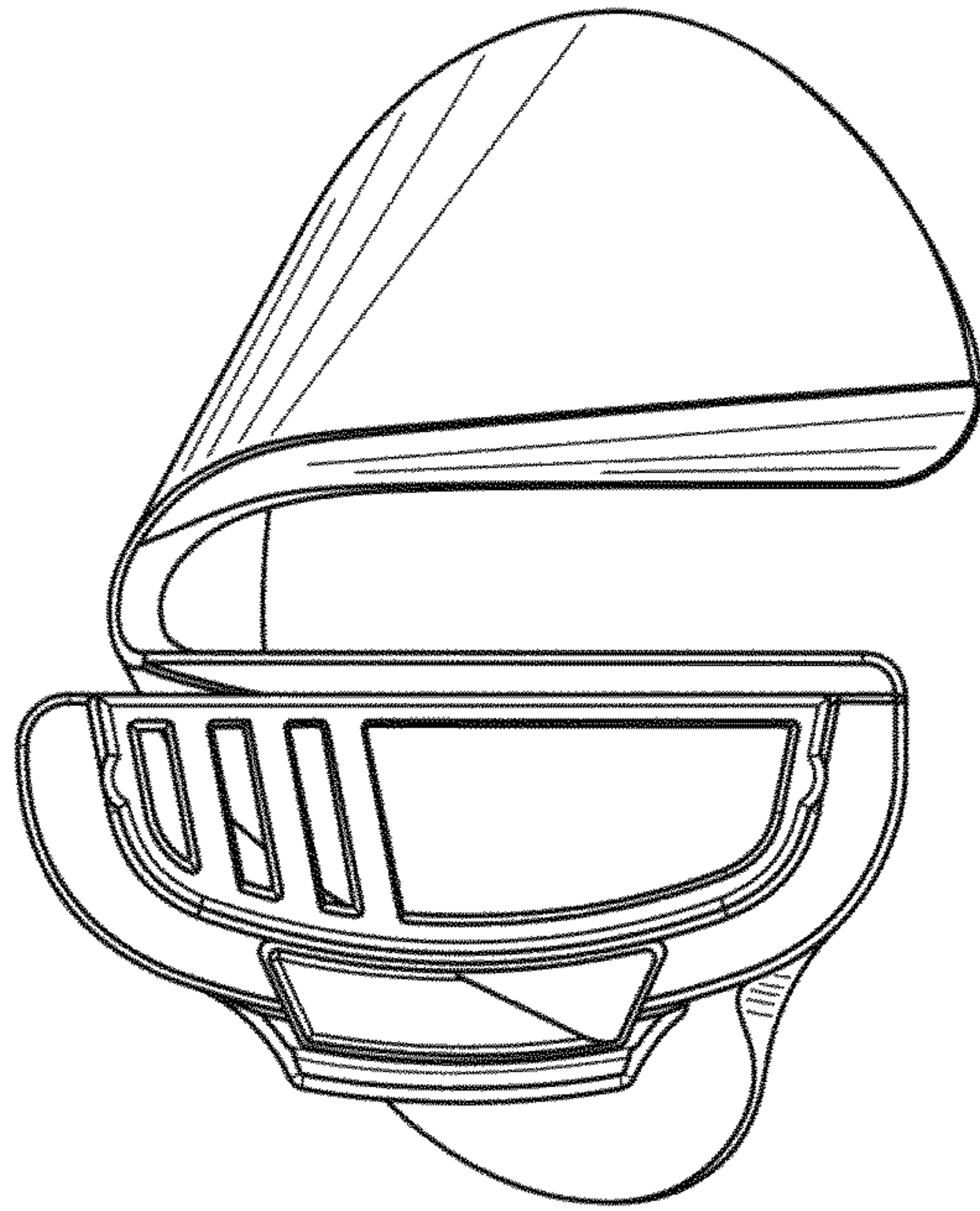


Figure 26

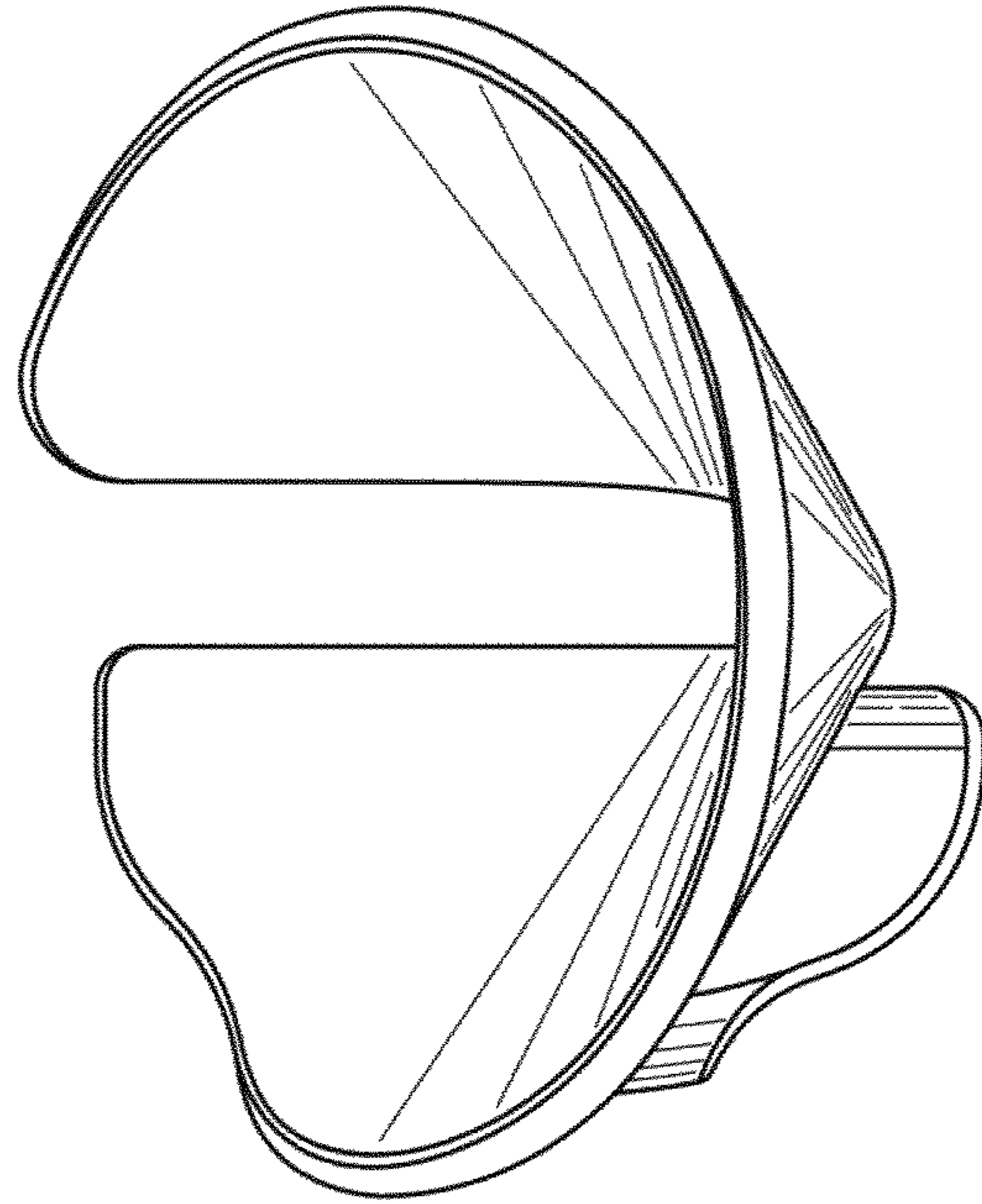


Figure 27

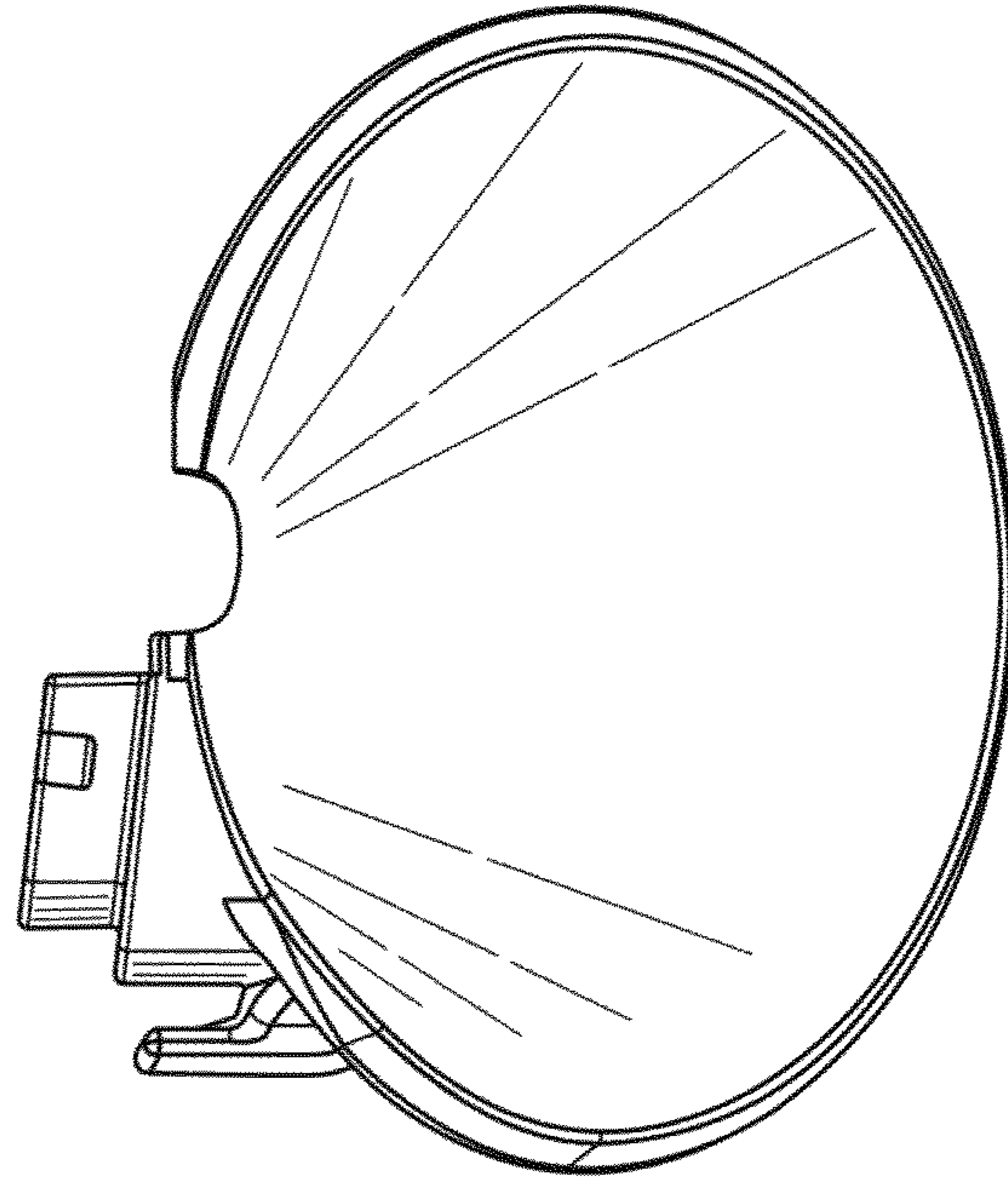


Figure 28

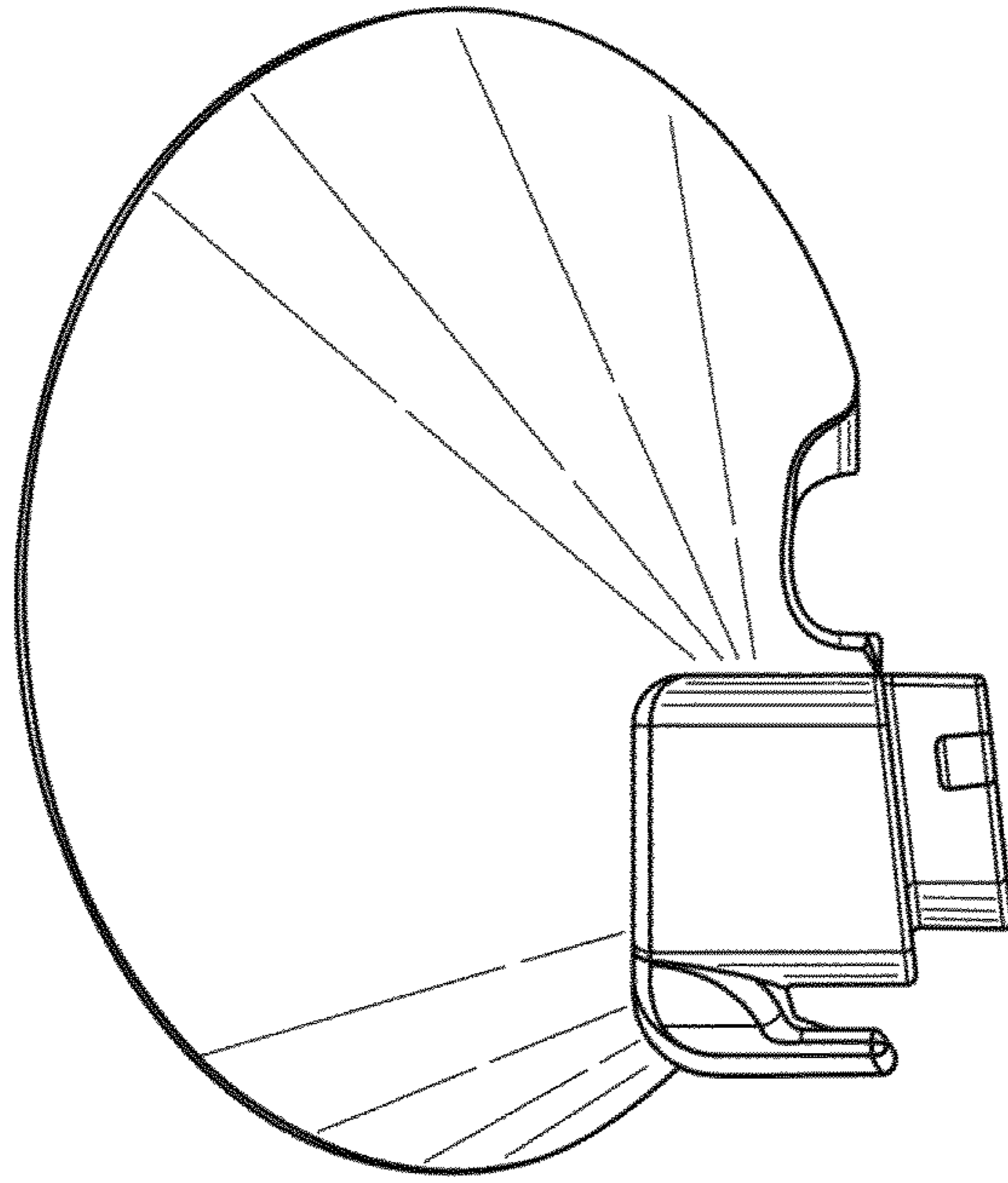


Figure 29

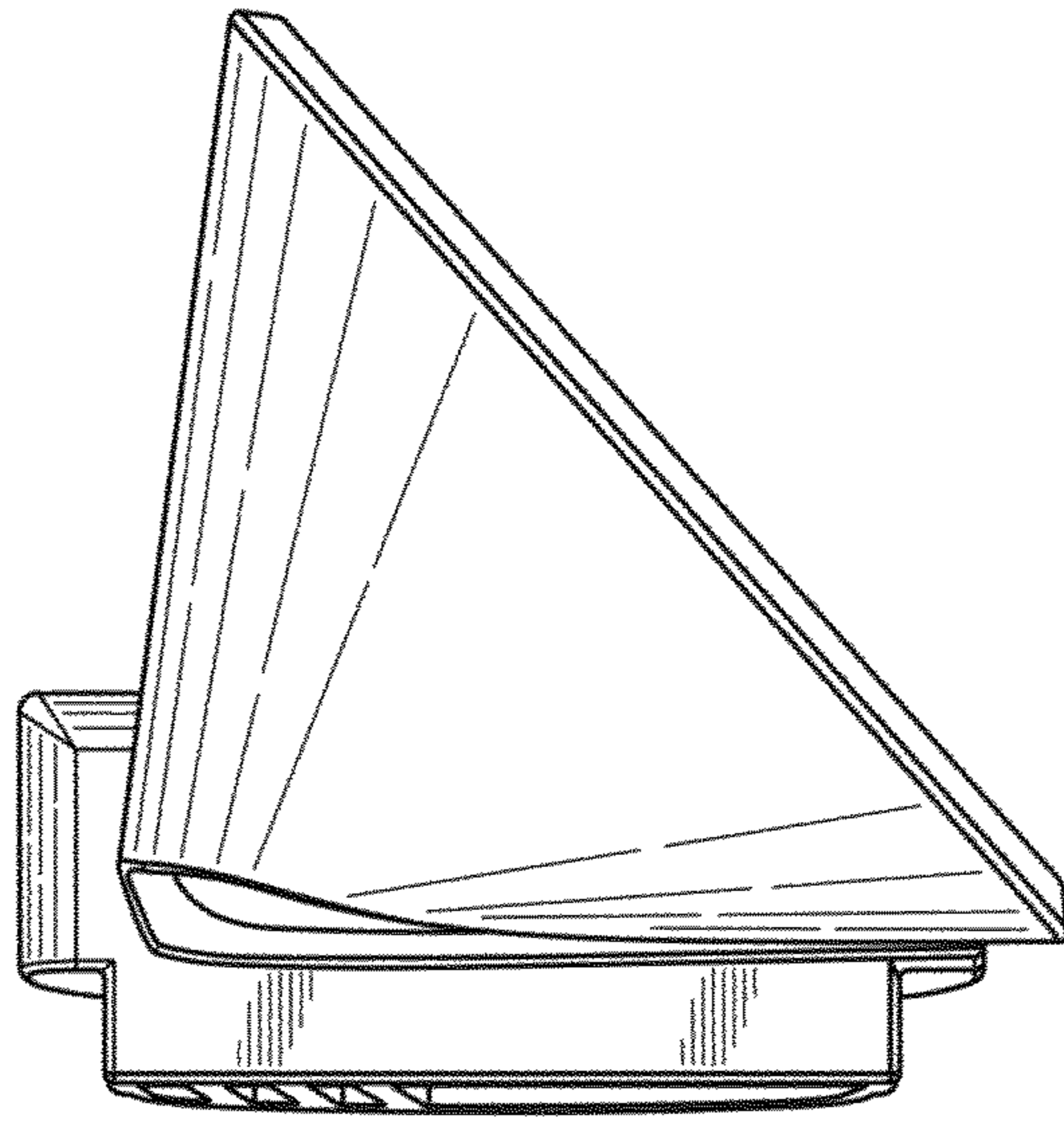


Figure 30



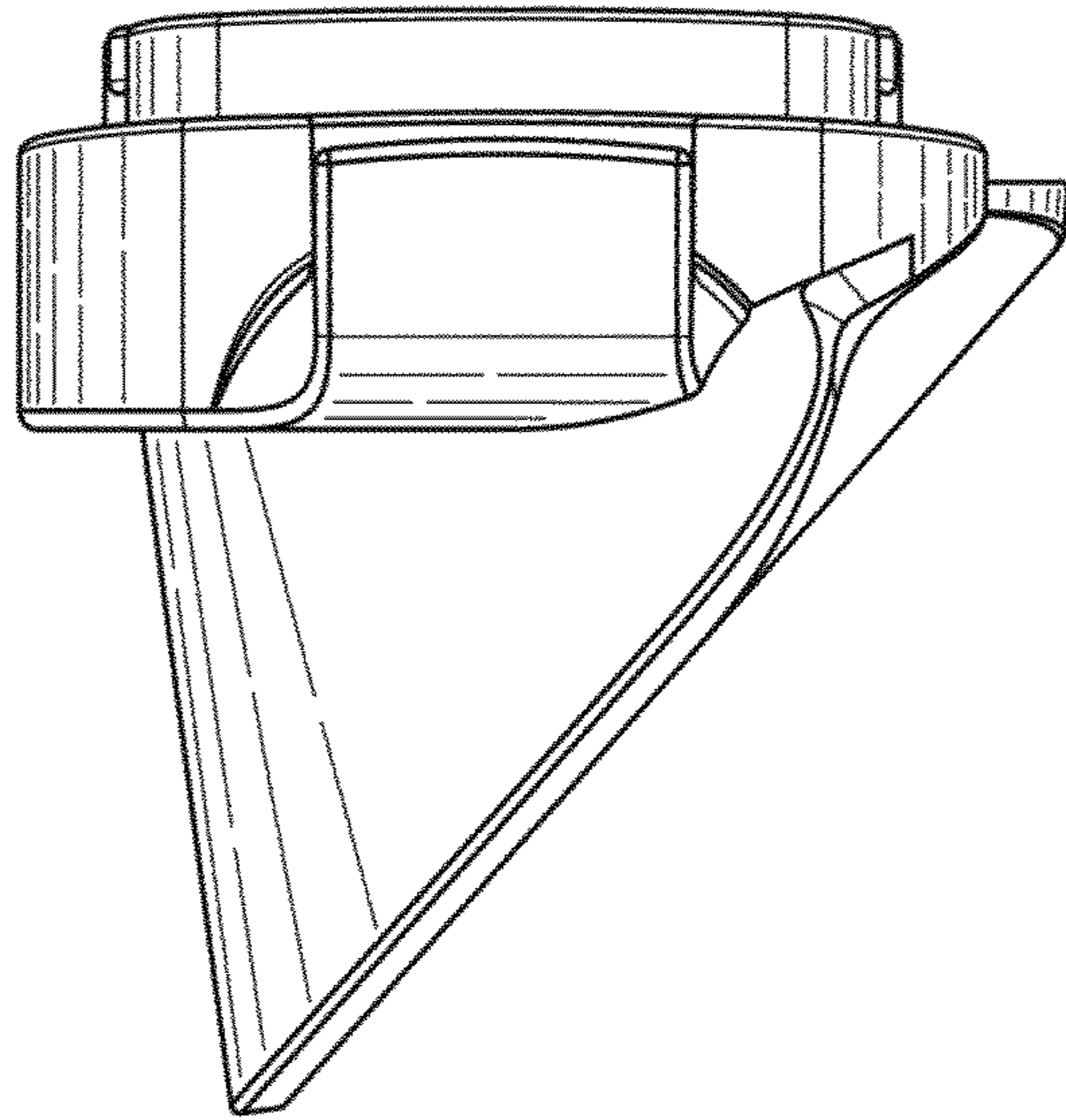


Figure 31

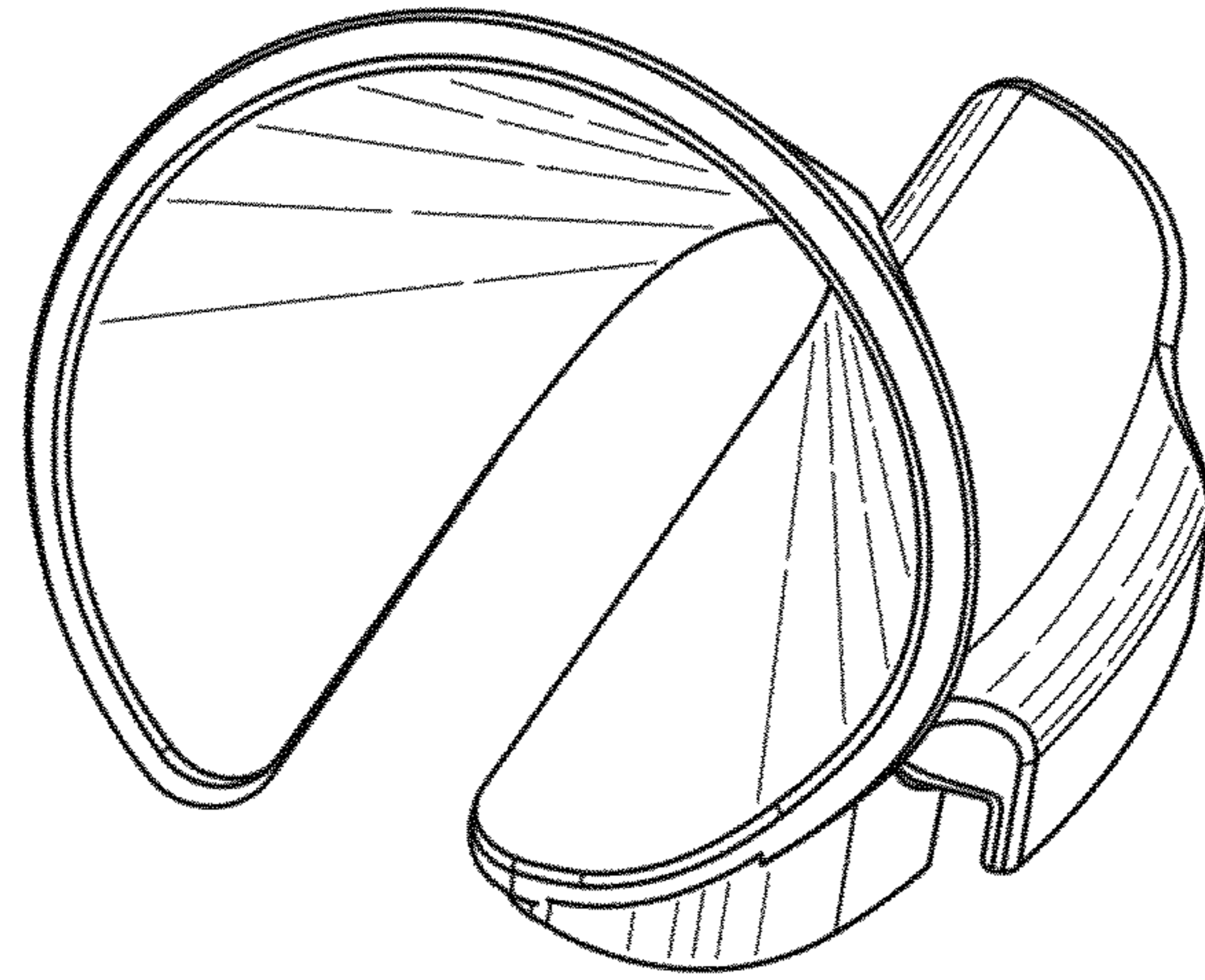


Figure 32

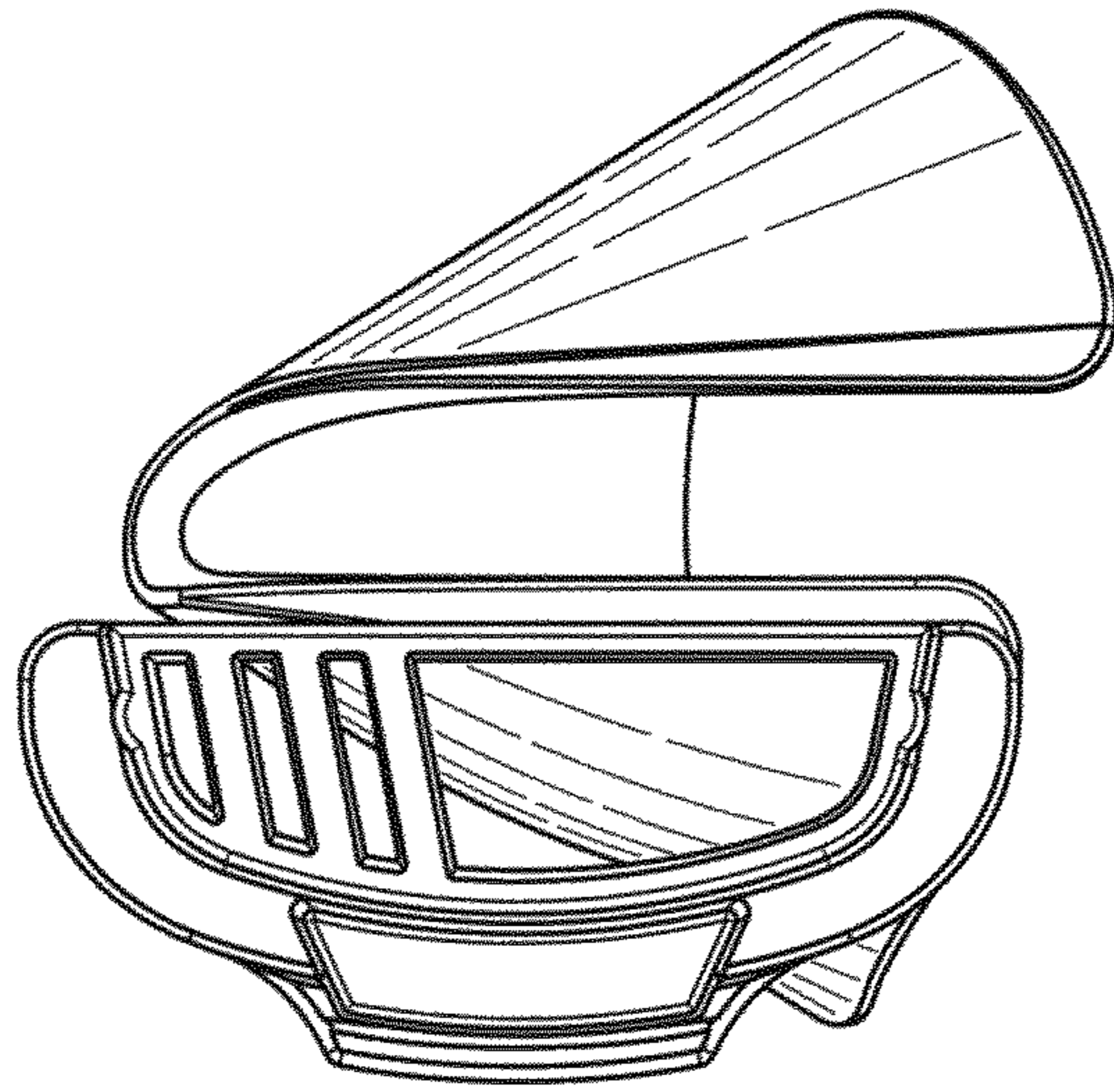


Figure 33

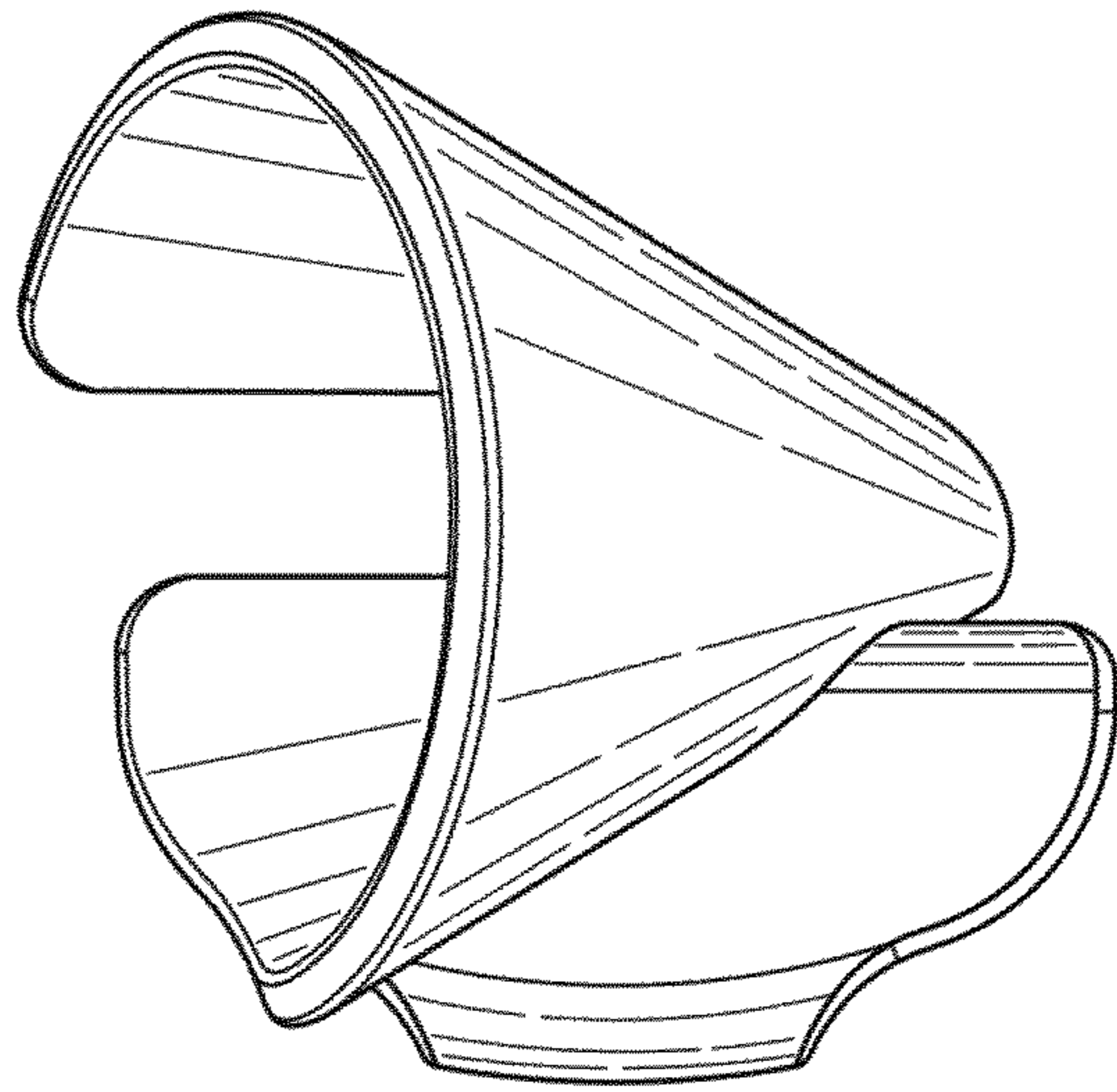


Figure 34

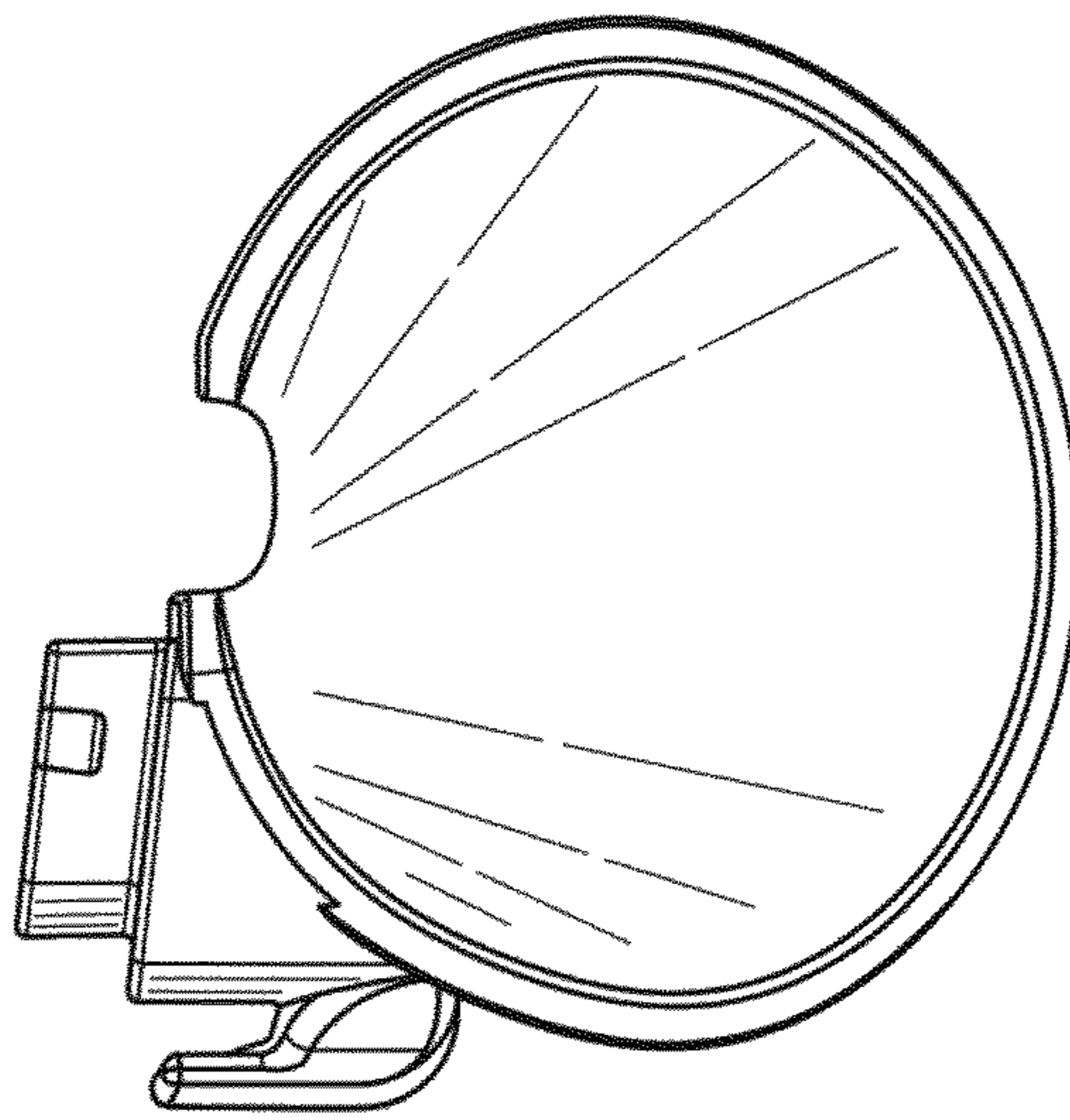


Figure 35

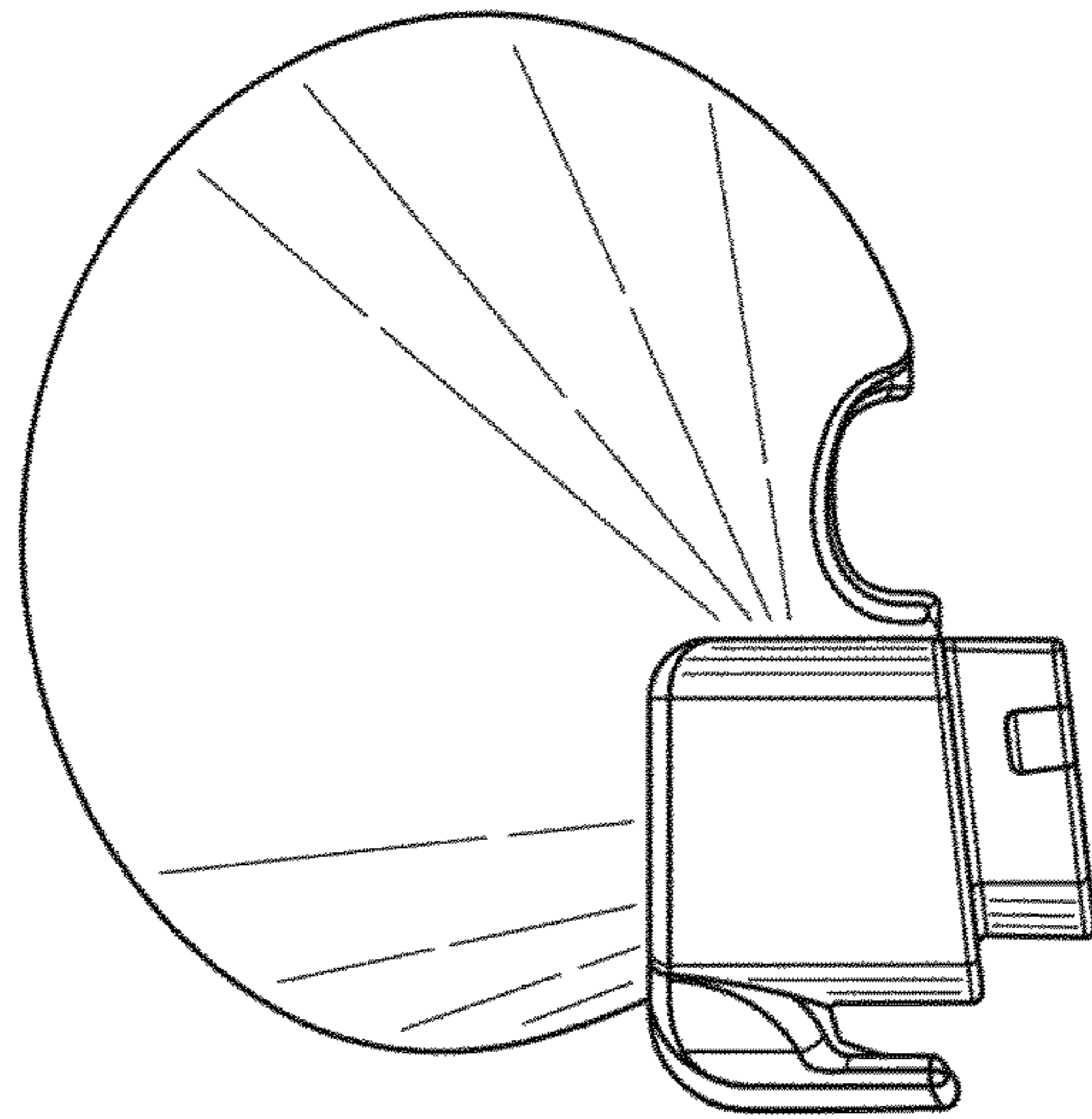


Figure 36

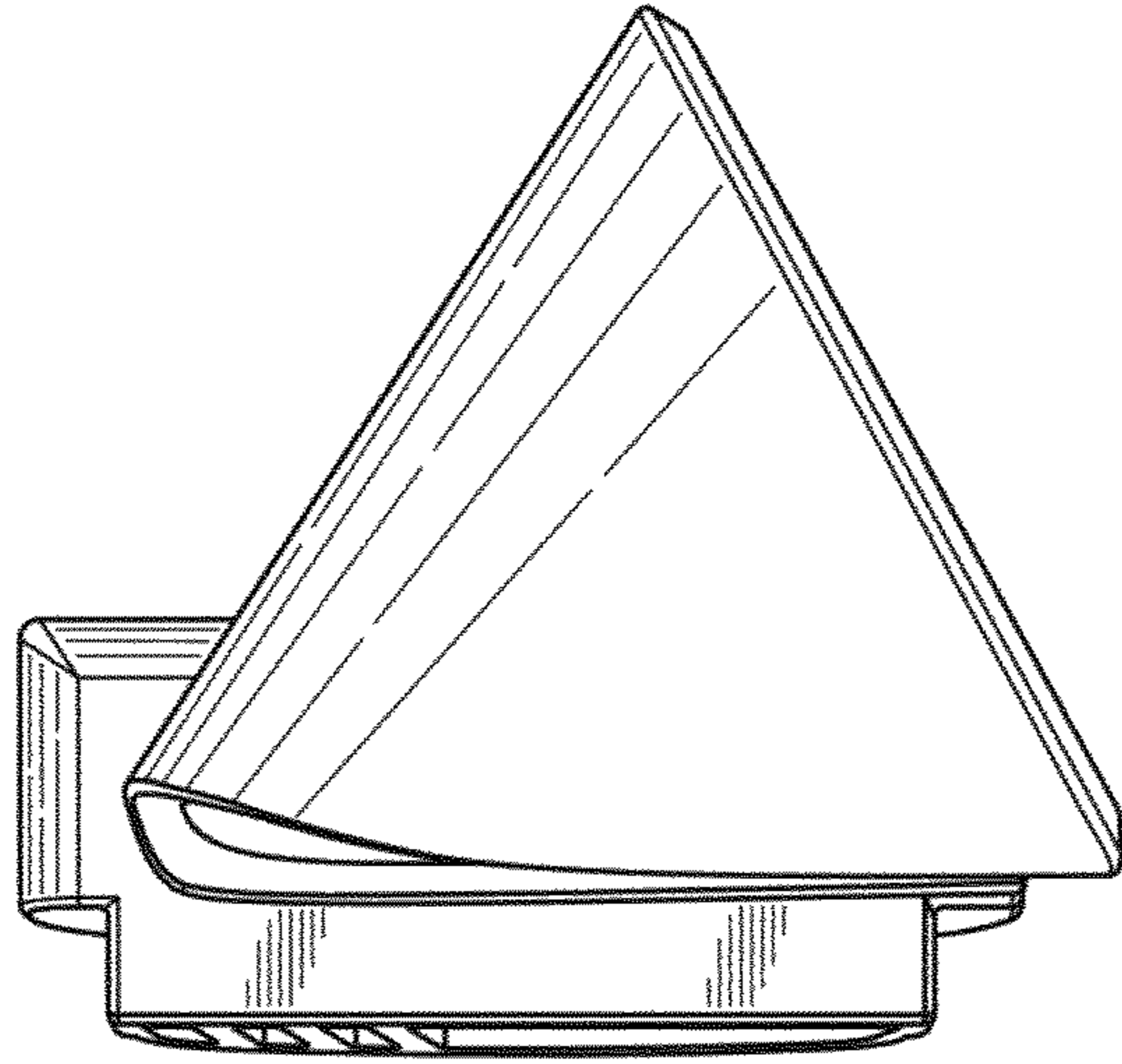


Figure 37

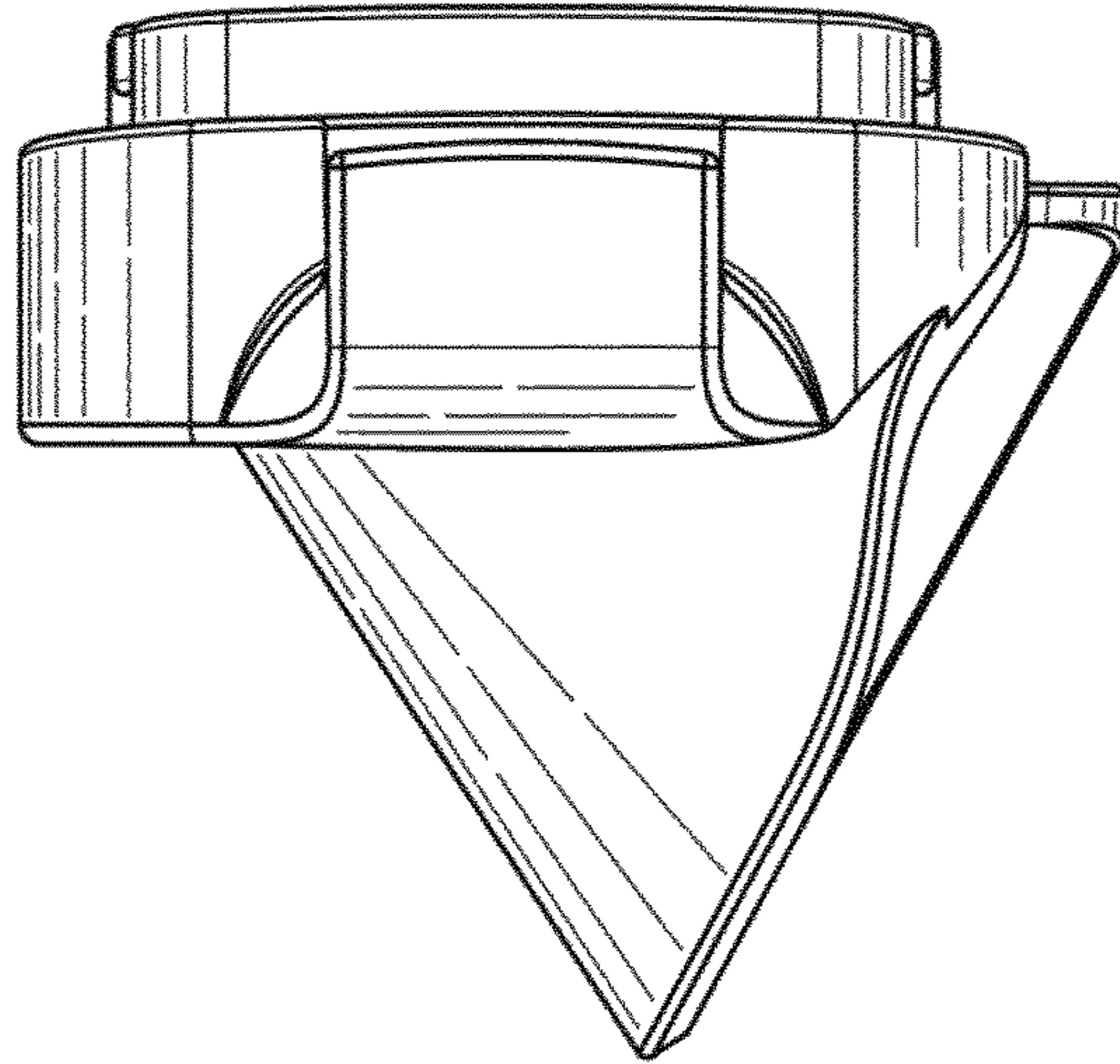


Figure 38